



US00D613919S

(12) **United States Design Patent**
Robertson et al.

(10) **Patent No.:** **US D613,919 S**
(45) **Date of Patent:** **** Apr. 13, 2010**

(54) **FLOOR MOPPING SHEET**

(76) Inventors: **Terry Robertson**, 54 Samantha Pl.,
Dadeville, AL (US) 38853; **Milanese**
Pierantonio, Via Vallonga 18, Susegana,
TV (IT) 31058; **Andrea Milanese**, Via
XX Settembre, Conegliano, TV (IT)
31015

(**) Term: **14 Years**

(21) Appl. No.: **29/340,813**

(22) Filed: **Jul. 27, 2009**

(30) **Foreign Application Priority Data**

May 4, 2009 (IT) PD2009A0117
May 4, 2009 (IT) PD2009A0118

(51) **LOC (9) Cl.** **04-01**

(52) **U.S. Cl.** **D32/40**

(58) **Field of Classification Search** D32/35,
D32/40, 50, 51, 52; D28/63; 15/208, 209.1,
15/227, 229.11, 210.1, 220.1, 228, 244.1,
15/244.4, 244.3, DIG. 9; D6/608
See application file for complete search history.

(56) **References Cited**

U.S. PATENT DOCUMENTS

D185,727 S * 7/1959 Yamen D32/50
D417,050 S * 11/1999 Reede D32/50
D460,232 S * 7/2002 Weihrauch D32/50
D549,415 S * 8/2007 Trotter et al. D32/50
D552,814 S * 10/2007 Munro et al. D32/40

D563,616 S * 3/2008 Lynde et al. D32/40
D571,068 S * 6/2008 Lynde et al. D32/40
D575,918 S * 8/2008 Rosenzweig et al. D32/40
D576,367 S * 9/2008 Anderson et al. D32/50
D606,719 S * 12/2009 Robertson et al. D32/50
2005/0120497 A1 * 6/2005 Lynde et al. 15/104.94
2006/0168748 A1 * 8/2006 Dotterman et al. 15/115
2006/0168750 A1 * 8/2006 Dotterman et al. 15/228
2009/0025168 A1 * 1/2009 DeRoma 15/220.1
2009/0144923 A1 * 6/2009 Tuman et al. 15/210.1

* cited by examiner

Primary Examiner—Cynthia E Ramirez

(74) *Attorney, Agent, or Firm*—Frank Marino

(57) **CLAIM**

The ornamental design for a floor mopping sheet, as shown and described.

DESCRIPTION

FIG. 1 is a perspective view of a floor mopping sheet according to our new design;

FIG. 2 is a top view of the sheet of FIG. 1, the bottom view being identical thereto;

FIG. 3 is a right side elevation view of the sheet of FIG. 1, the left side being a mirror image thereto;

FIG. 4 is a rear view of the sheet of FIG. 1; and,

FIG. 5 is a front view of the sheet of FIG. 1.

The features shown in broken lines are for environmental purposes only and form no part of the claimed design.

1 Claim, 1 Drawing Sheet

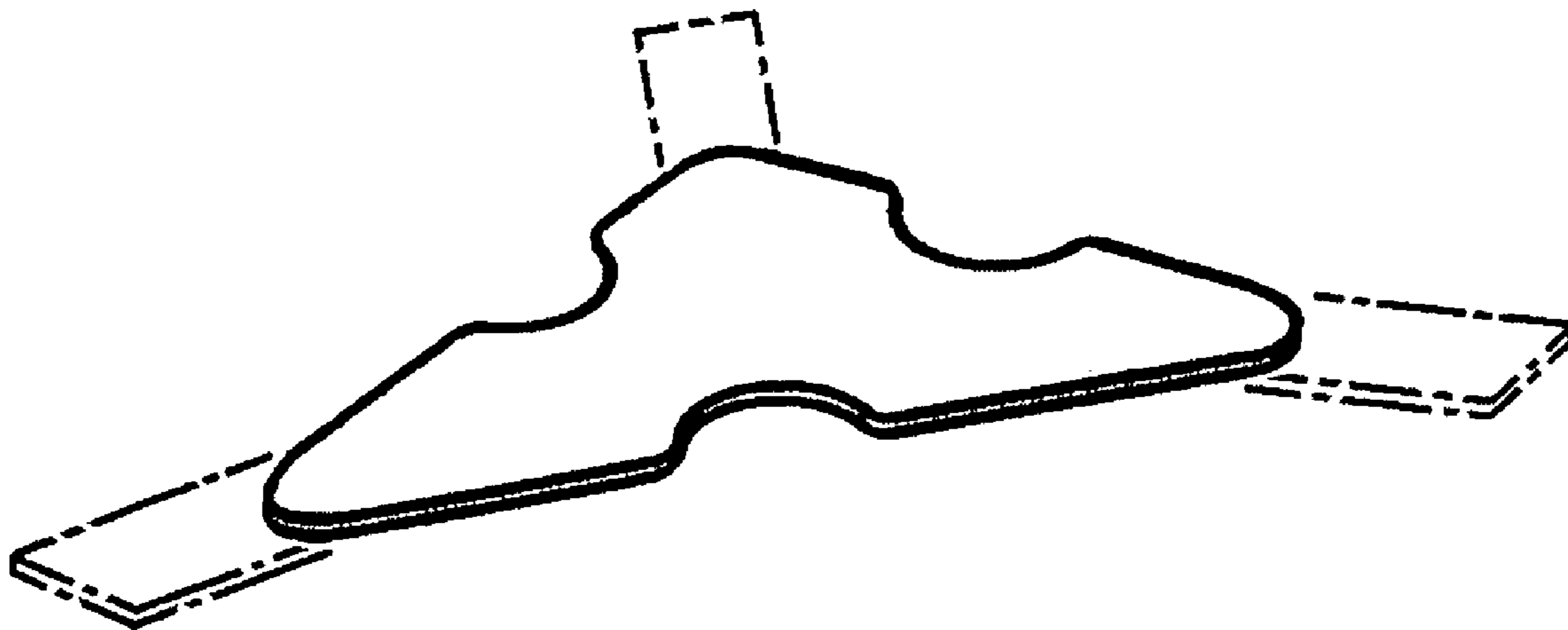


FIG 4

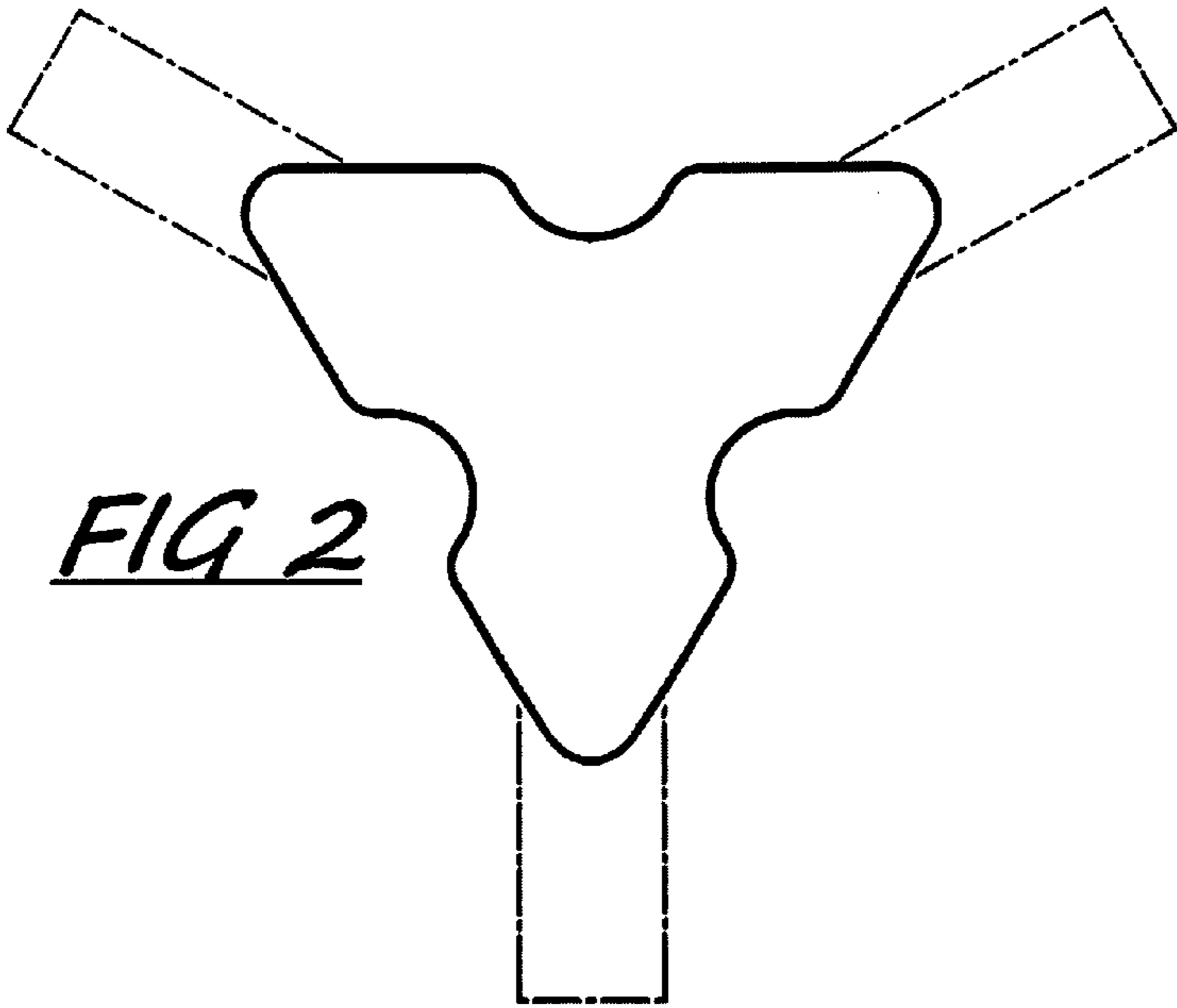


FIG 2



FIG 3



FIG 5

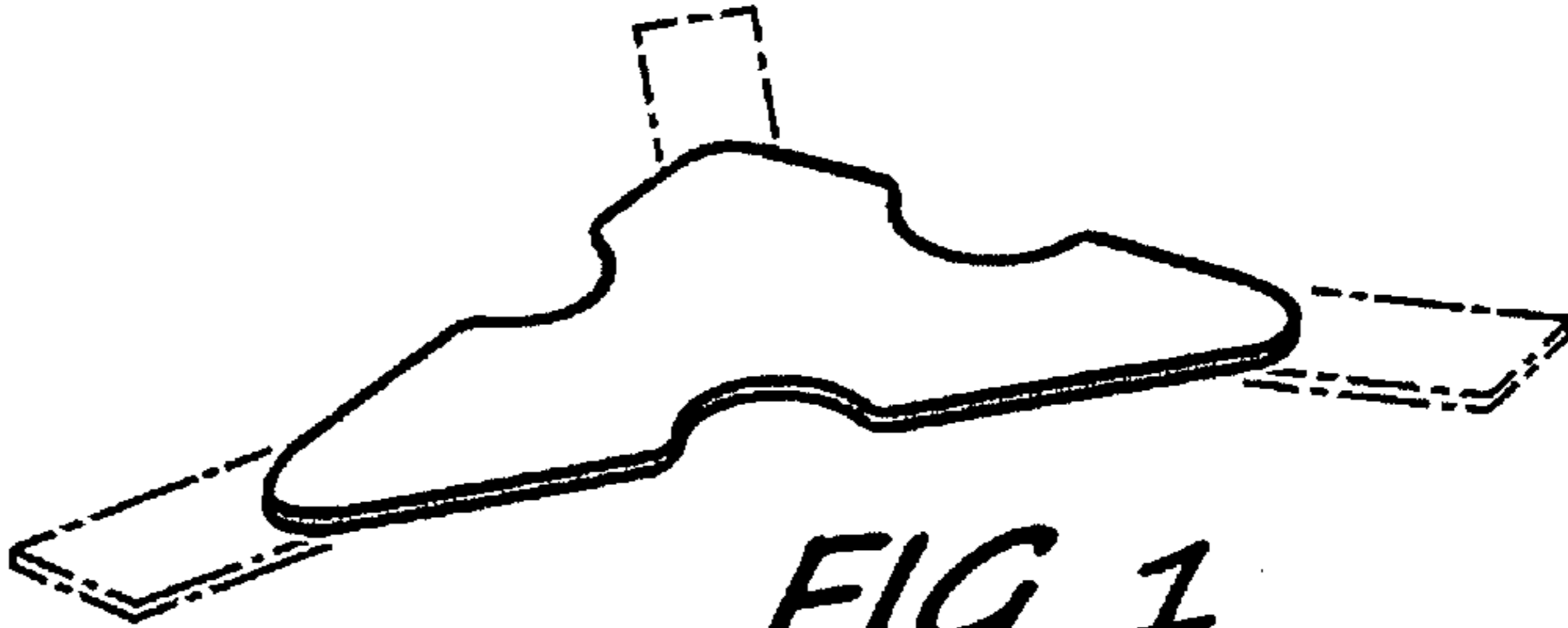


FIG 1