



US00D613918S

(12) **United States Design Patent**
Benacquisto

(10) **Patent No.:** **US D613,918 S**
(45) **Date of Patent:** **** Apr. 13, 2010**

(54) **CLEANING FLUID DISPENSER**

(75) Inventor: **Justin Benacquisto**, Grand Rapids, MI (US)

(73) Assignee: **BISSELL Homecare, Inc.**, Grand Rapids, MI (US)

(**) Term: **14 Years**

(21) Appl. No.: **29/302,185**

(22) Filed: **Jan. 11, 2008**

(51) **LOC (9) Cl.** **15-05**

(52) **U.S. Cl.** **D32/39; D32/50**

(58) **Field of Classification Search** D32/50, D32/40, 51-52, 49, 44, 39; 15/115, 119.2, 15/116.2, 118, 229.3, 229.6-229.8, 228, 15/220.1; 428/198; 451/515, 190, 209.1, 451/288, 231; D4/199, 114, 115

See application file for complete search history.

(56) **References Cited**

U.S. PATENT DOCUMENTS

- D202,767 S * 11/1965 Cowen D32/50
- 3,679,319 A 7/1972 Munchel et al.
- D294,415 S * 2/1988 Jones D32/44
- D295,913 S * 5/1988 Jones et al. D32/44
- D358,244 S * 5/1995 Teufel et al. D32/44
- D370,101 S * 5/1996 Juratovac et al. D32/50
- D404,862 S * 1/1999 Johnson D32/50
- D429,892 S * 8/2000 Wolfenden D4/199
- 6,663,306 B2 12/2003 Policicchio et al.
- 6,663,307 B2 12/2003 Kopanic et al.
- D493,928 S * 8/2004 Chemtob D32/44
- 6,789,705 B2 9/2004 Drew
- 6,866,165 B2 3/2005 Heathcock et al.

- 6,868,989 B2 3/2005 Fahy et al.
- 6,953,299 B2 10/2005 Wang et al.
- D537,637 S * 3/2007 Camp, Jr. D4/199
- D544,664 S * 6/2007 Santiago et al. D32/39
- D575,917 S * 8/2008 Rosenzweig D32/39
- D582,619 S * 12/2008 Kong D32/50
- D590,113 S * 4/2009 Benacquisto D32/32
- 2005/0158116 A1 7/2005 Belansky et al.

FOREIGN PATENT DOCUMENTS

WO 2007028970 A1 3/2007

* cited by examiner

Primary Examiner—Cathron C Brooks

Assistant Examiner—Austin Murphy

(74) *Attorney, Agent, or Firm*—McGarry Bair PC

(57) **CLAIM**

The ornamental design for a cleaning fluid dispenser, as shown and described.

DESCRIPTION

FIG. 1 is a front right perspective view of a cleaning fluid dispenser which embodies our design;

FIG. 2 is a front view thereof;

FIG. 3 is a rear view thereof;

FIG. 4 is a left side view thereof;

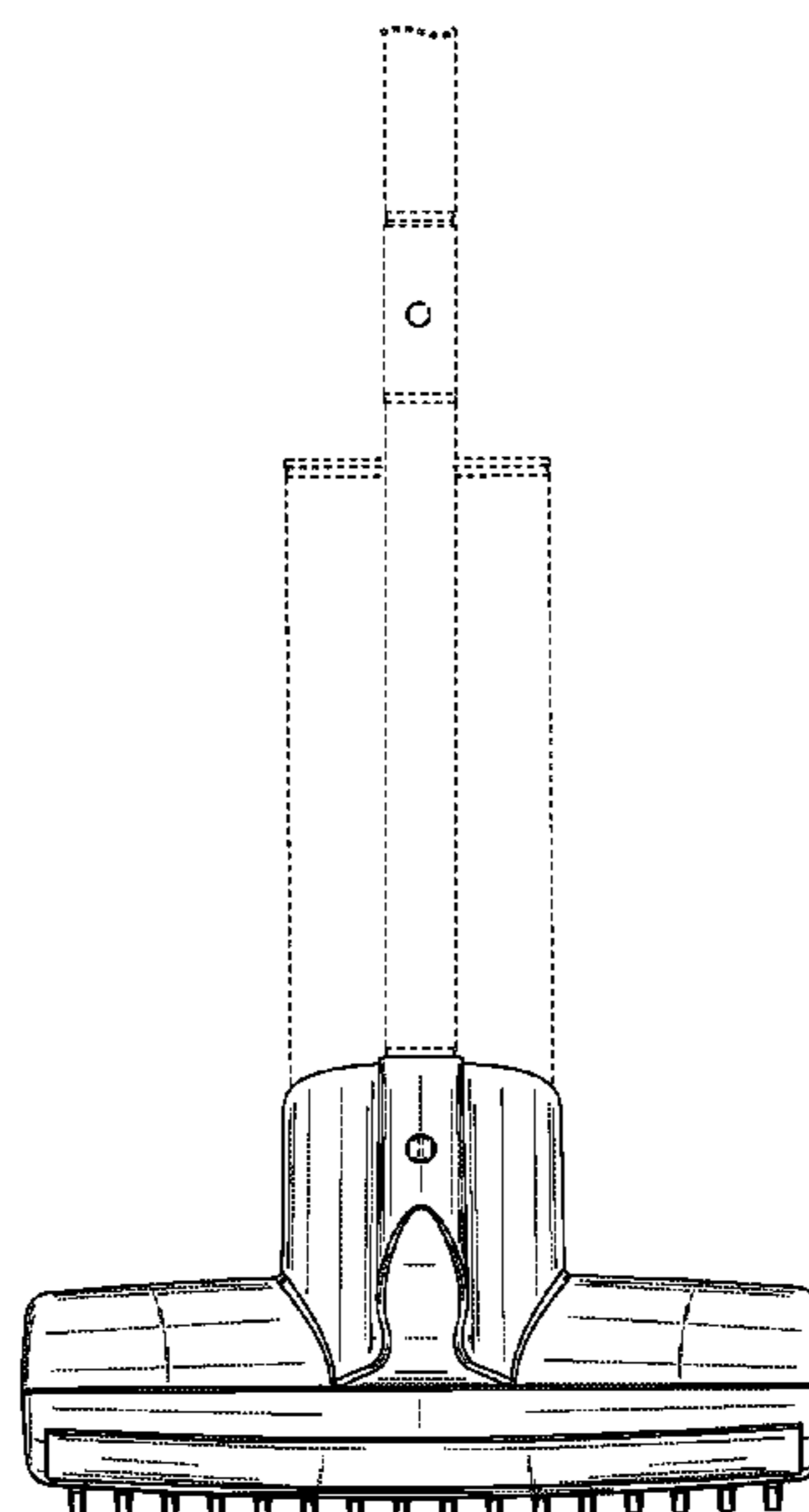
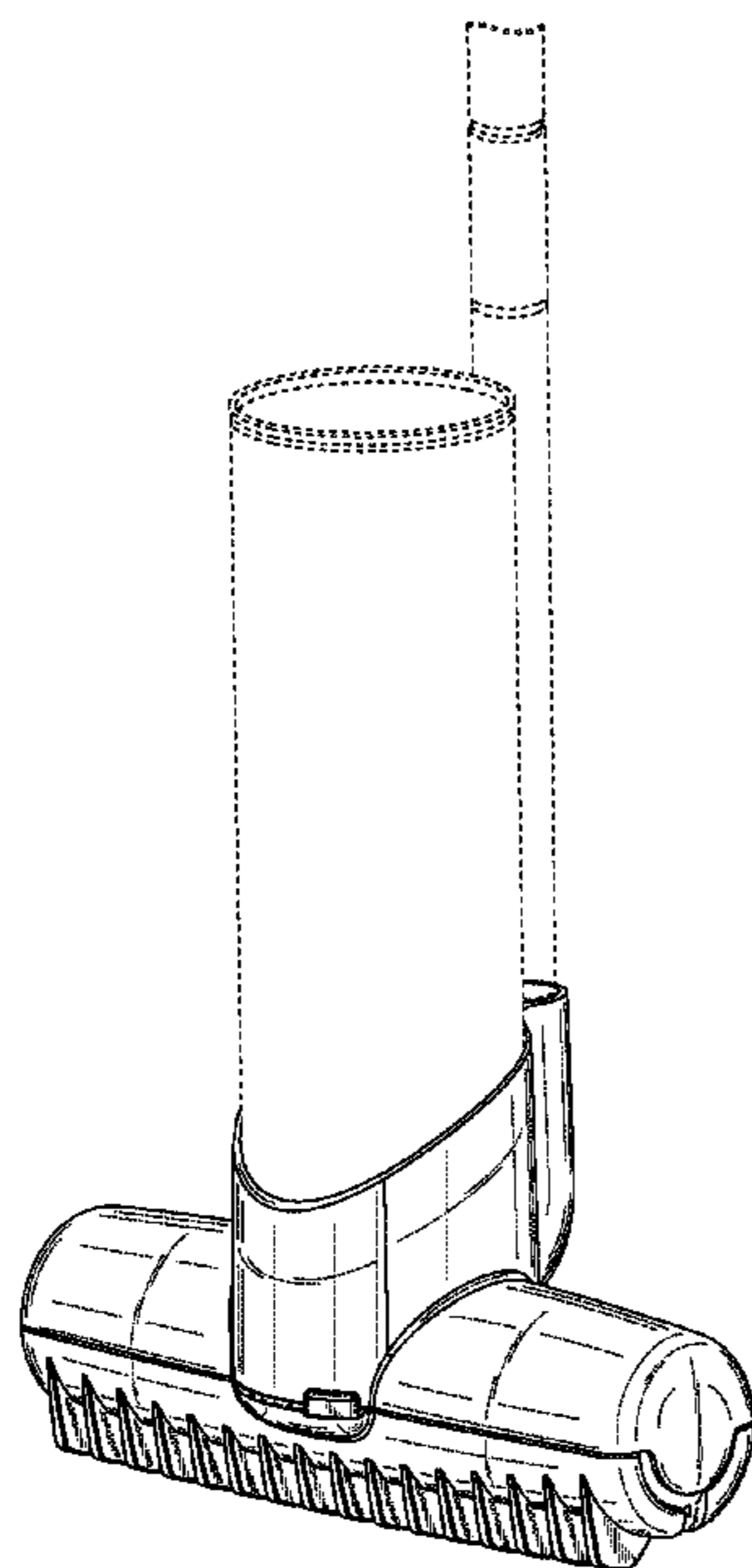
FIG. 5 is a right side thereof;

FIG. 6 is a top view thereof; and,

FIG. 7 is a bottom view thereof.

The broken lines shown in the drawings illustrate unclaimed portions of the cleaning fluid dispenser and form no part of the claimed design.

1 Claim, 5 Drawing Sheets



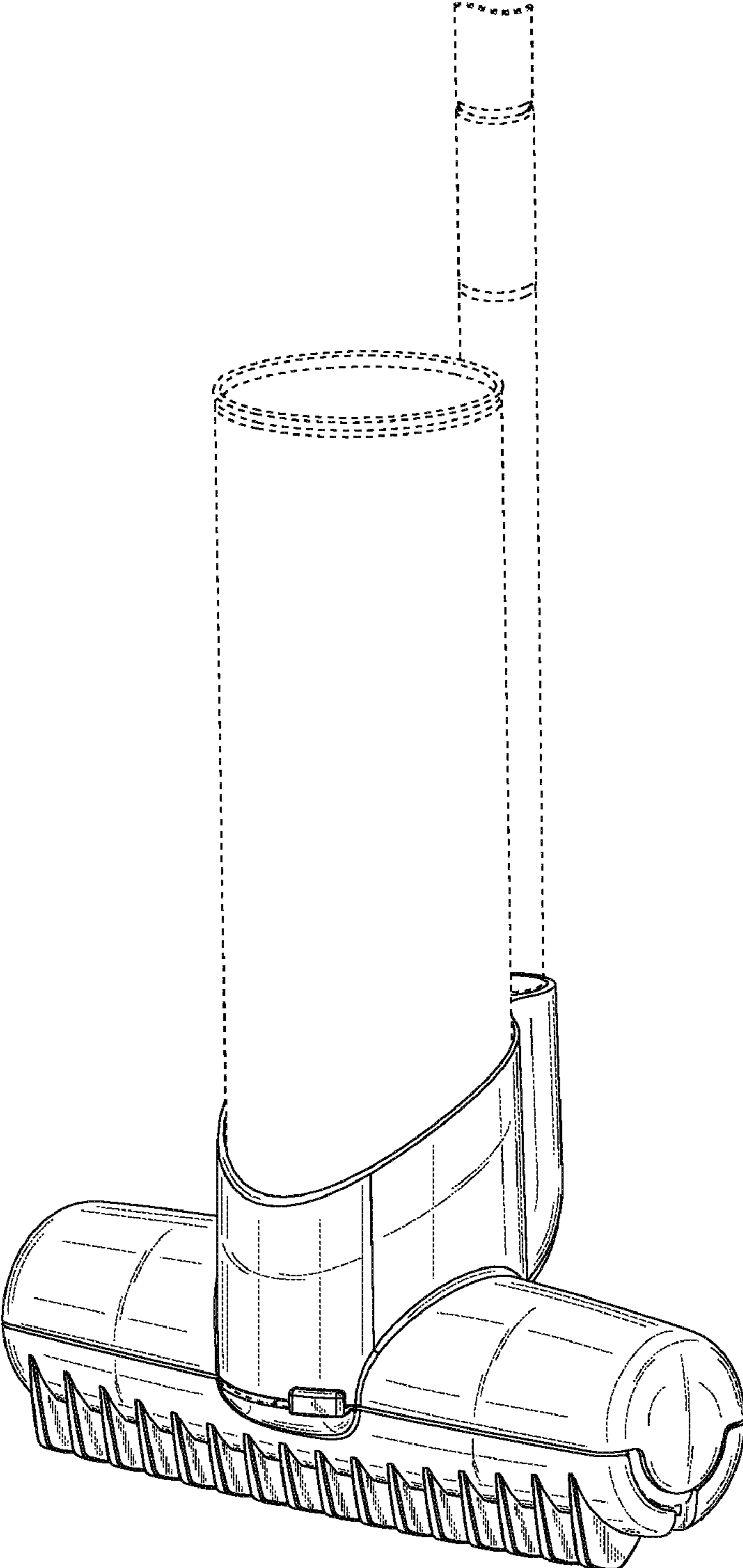


Fig. 1

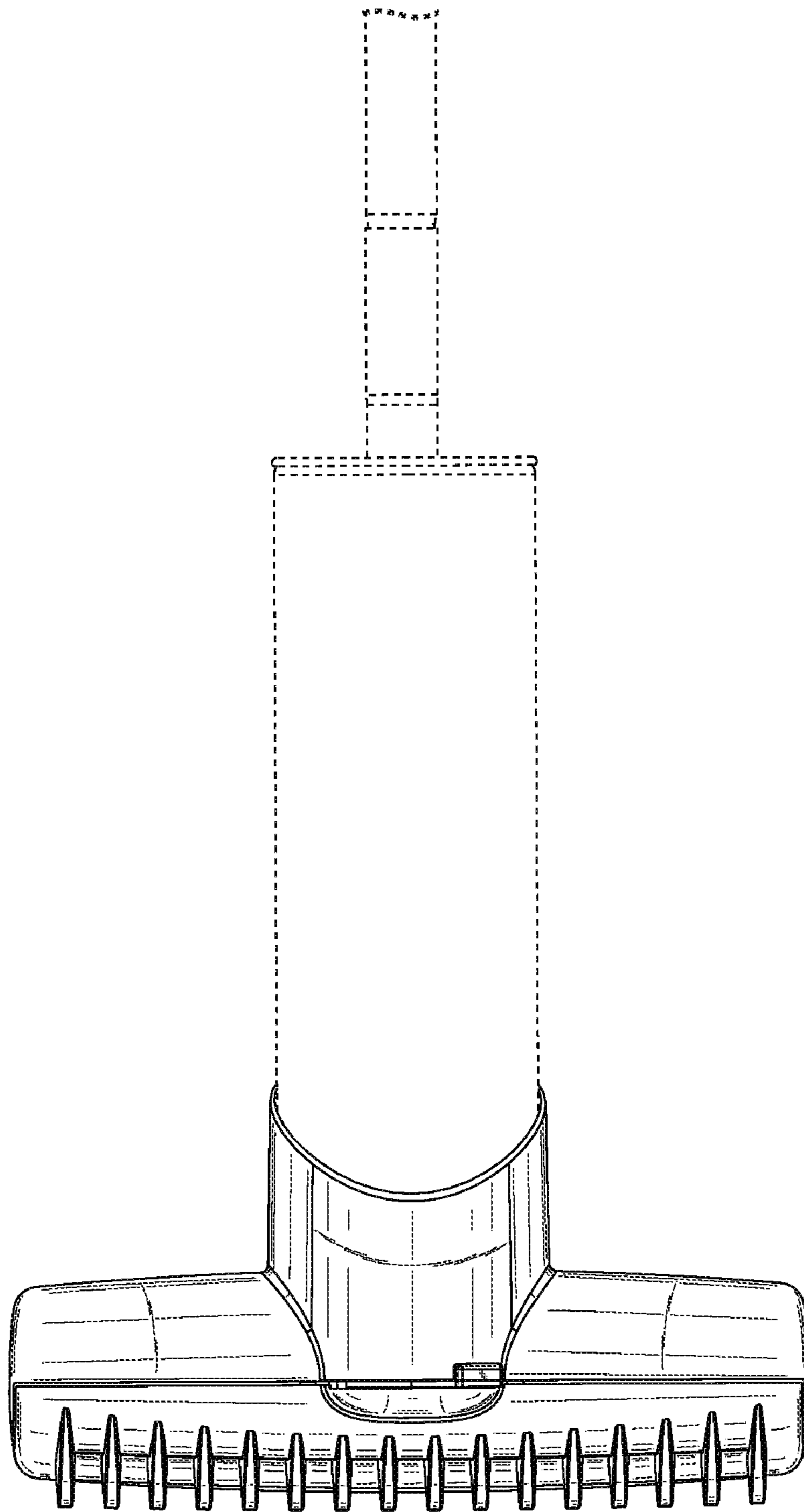


Fig. 2

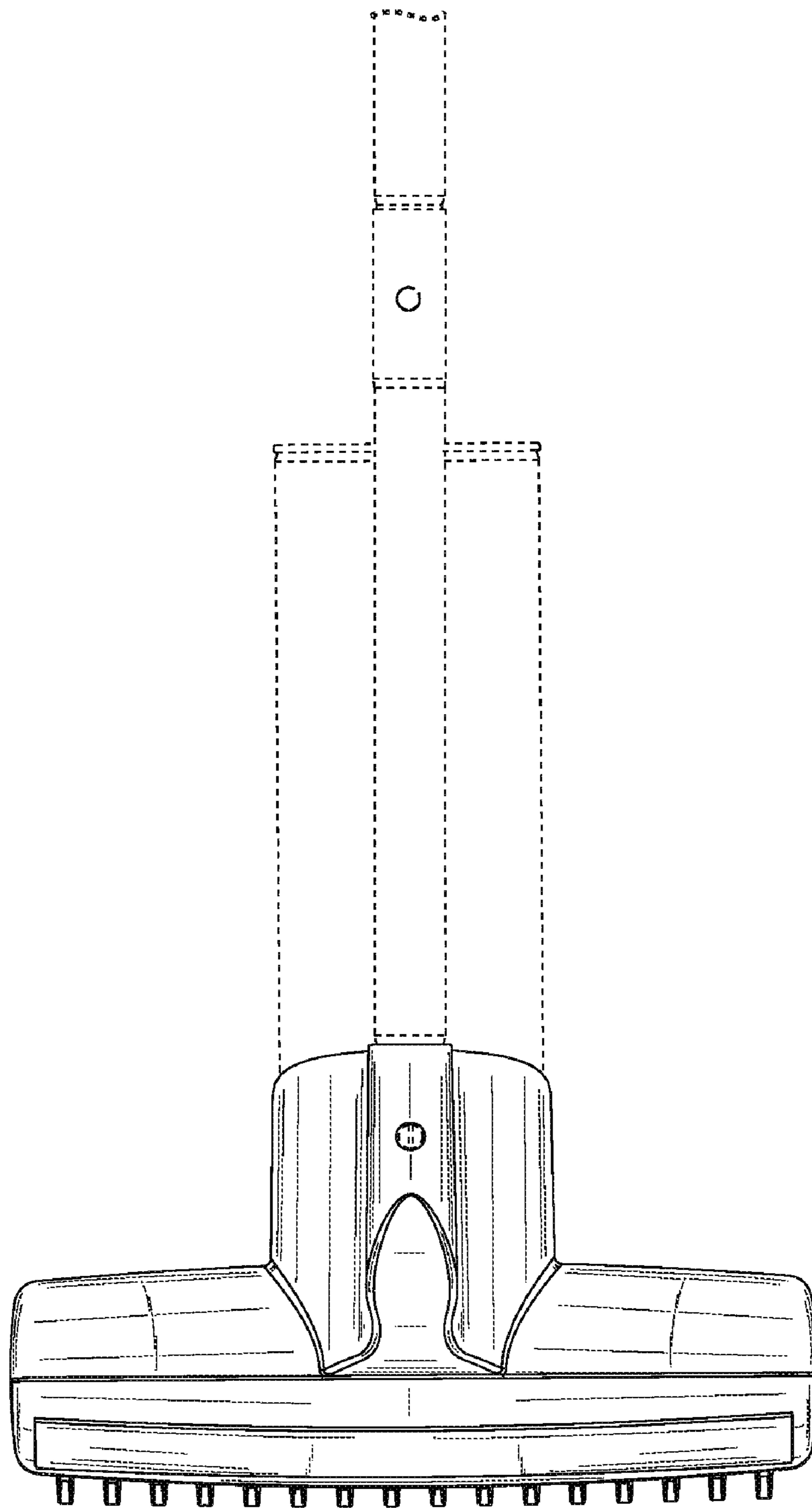


Fig. 3

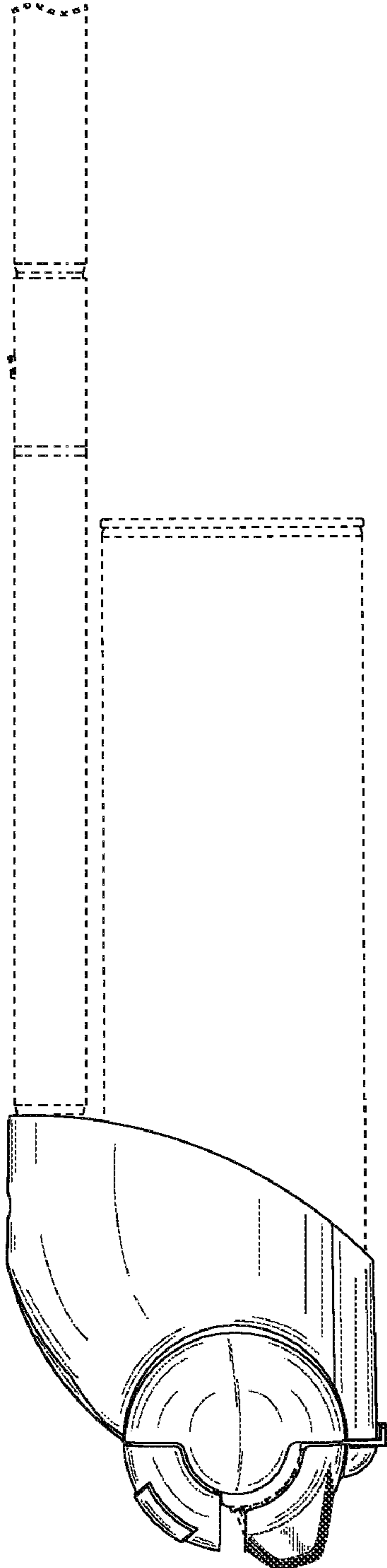


Fig. 4

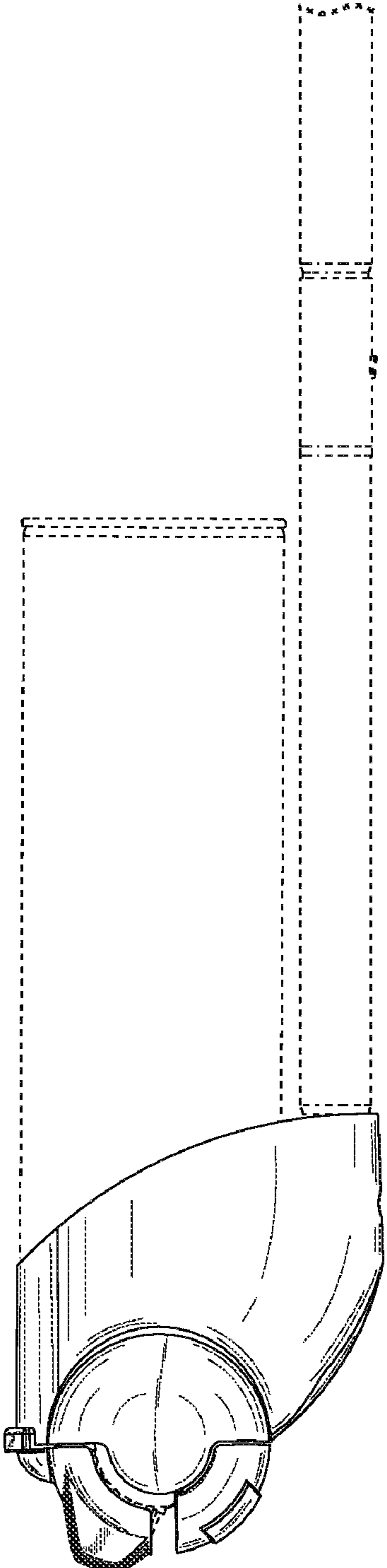


Fig. 5

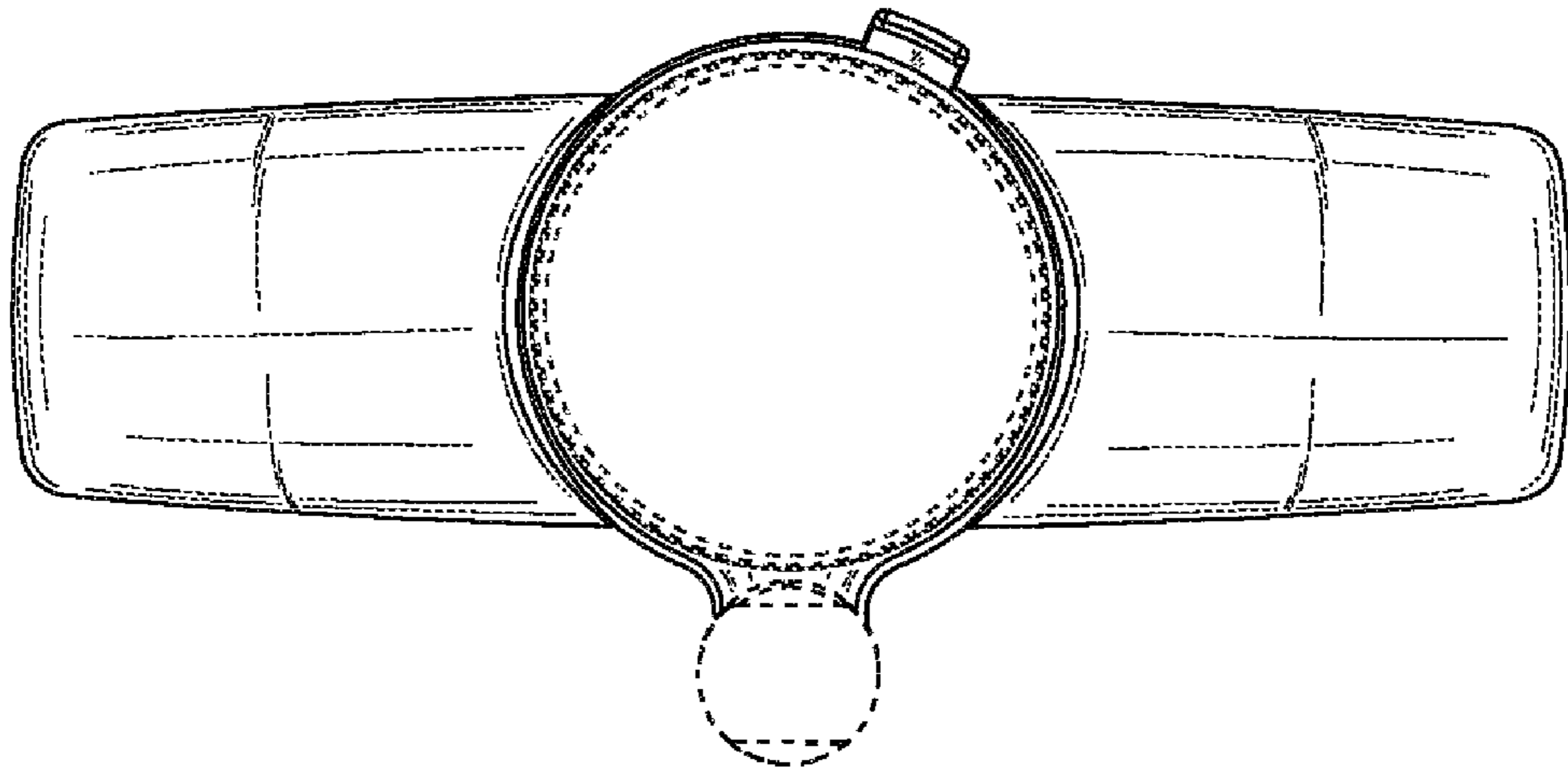


Fig. 6

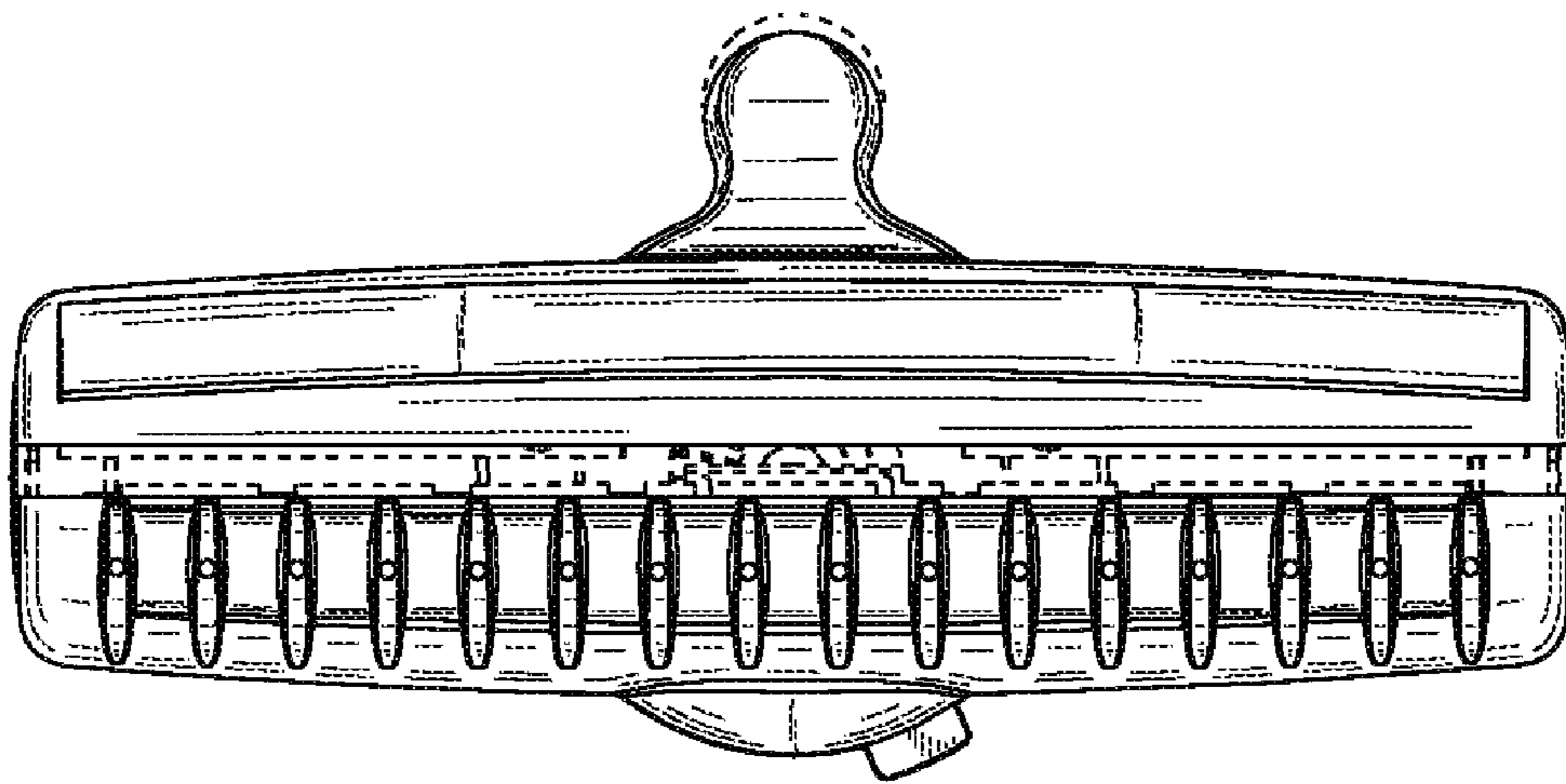


Fig. 7