



US00D613917S

(12) **United States Design Patent**  
**Williams et al.**

(10) **Patent No.:** **US D613,917 S**  
(45) **Date of Patent:** **\*\* Apr. 13, 2010**

(54) **HANDHELD CANISTER VACUUM CLEANER MOTOR ASSEMBLY**

(76) Inventors: **Danny Patrick Williams**, 26955 Corte Cristal, Temecula, CA (US) 92590-3373;  
**Susan Marie Williams**, 29655 Corte Cristal, Temecula, CA (US) 92590-3373

(\*\*) Term: **14 Years**

(21) Appl. No.: **29/315,900**

(22) Filed: **Aug. 3, 2009**

(51) **LOC (9) Cl.** ..... **15-05**

(52) **U.S. Cl.** ..... **D32/31**

(58) **Field of Classification Search** ..... D32/21,  
D32/23, 31; 15/327.1, 327.2, 327.4, 327.5,  
15/327.7, 320-321, 323, 301, 312.1, 314,  
15/353, 412, 347, 344, 339, 352; 220/23.83,  
220/23.6

See application file for complete search history.

(56) **References Cited**

**U.S. PATENT DOCUMENTS**

D283,065 S *	3/1986	Maier	.....	D32/23
D335,555 S *	5/1993	Reath	.....	D32/21
D418,643 S *	1/2000	Hoshino	.....	D32/21
D467,693 S *	12/2002	Kitts	.....	D32/21
D507,686 S *	7/2005	Krieger et al.	.....	D32/23
D537,992 S *	3/2007	Hoshino	.....	D32/24
D545,511 S *	6/2007	Proud	.....	D32/23

D585,608 S \* 1/2009 Conrad et al. .... D32/21

\* cited by examiner

*Primary Examiner*—Ruth McInroy

(74) *Attorney, Agent, or Firm*—Loyal McKinley Hanson

(57) **CLAIM**

I claim the ornamental design for a handheld canister vacuum cleaner motor assembly, as shown and described.

**DESCRIPTION**

FIG. 1 is a top, front and left-side perspective view of a handheld canister vacuum cleaner motor assembly showing my new design;

FIG. 2 is a rear view thereof;

FIG. 3 is a left side elevation view thereof;

FIG. 4 is a top plan view thereof;

FIG. 5 is a right side elevation view thereof;

FIG. 6 is a front elevation view thereof;

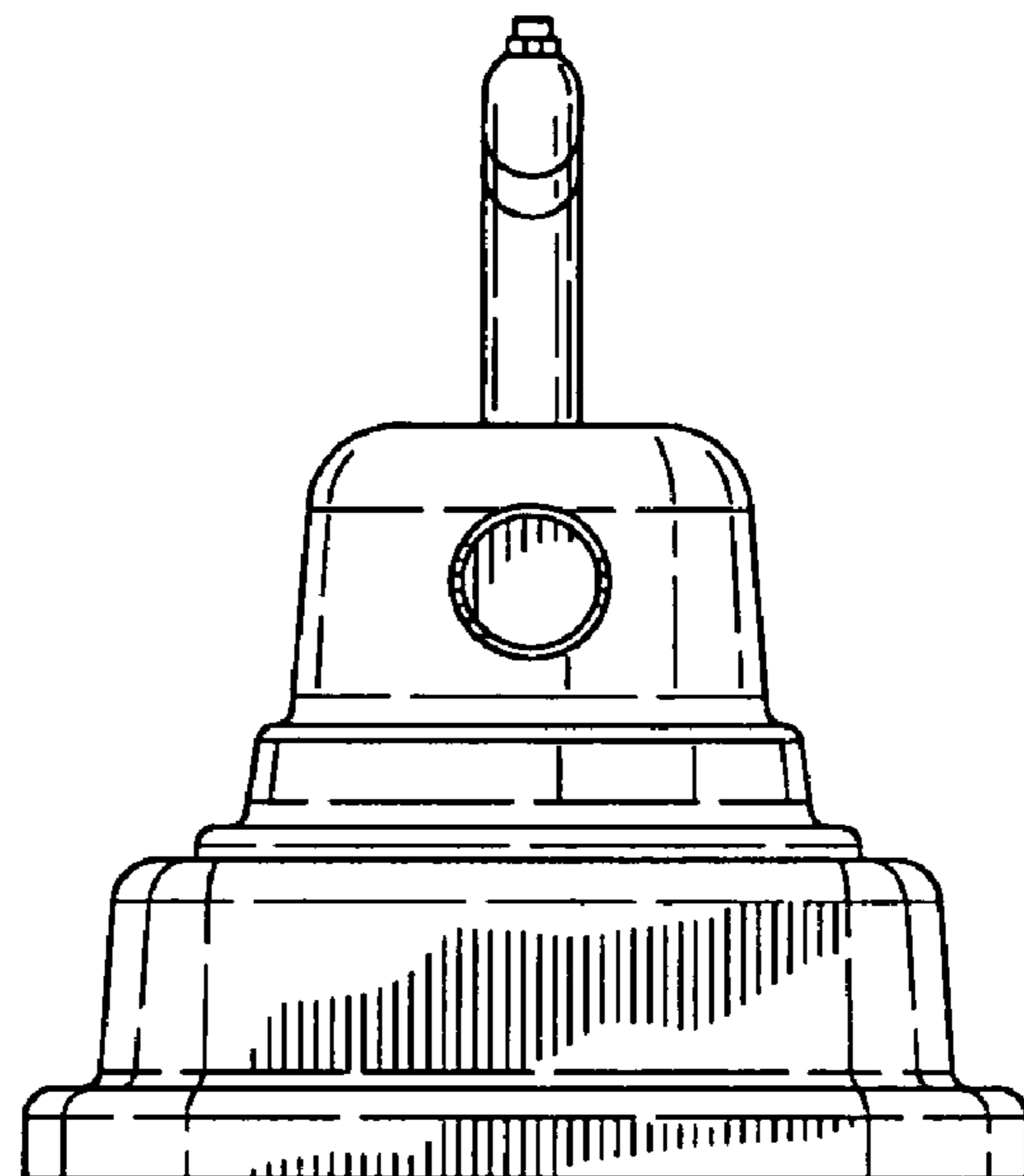
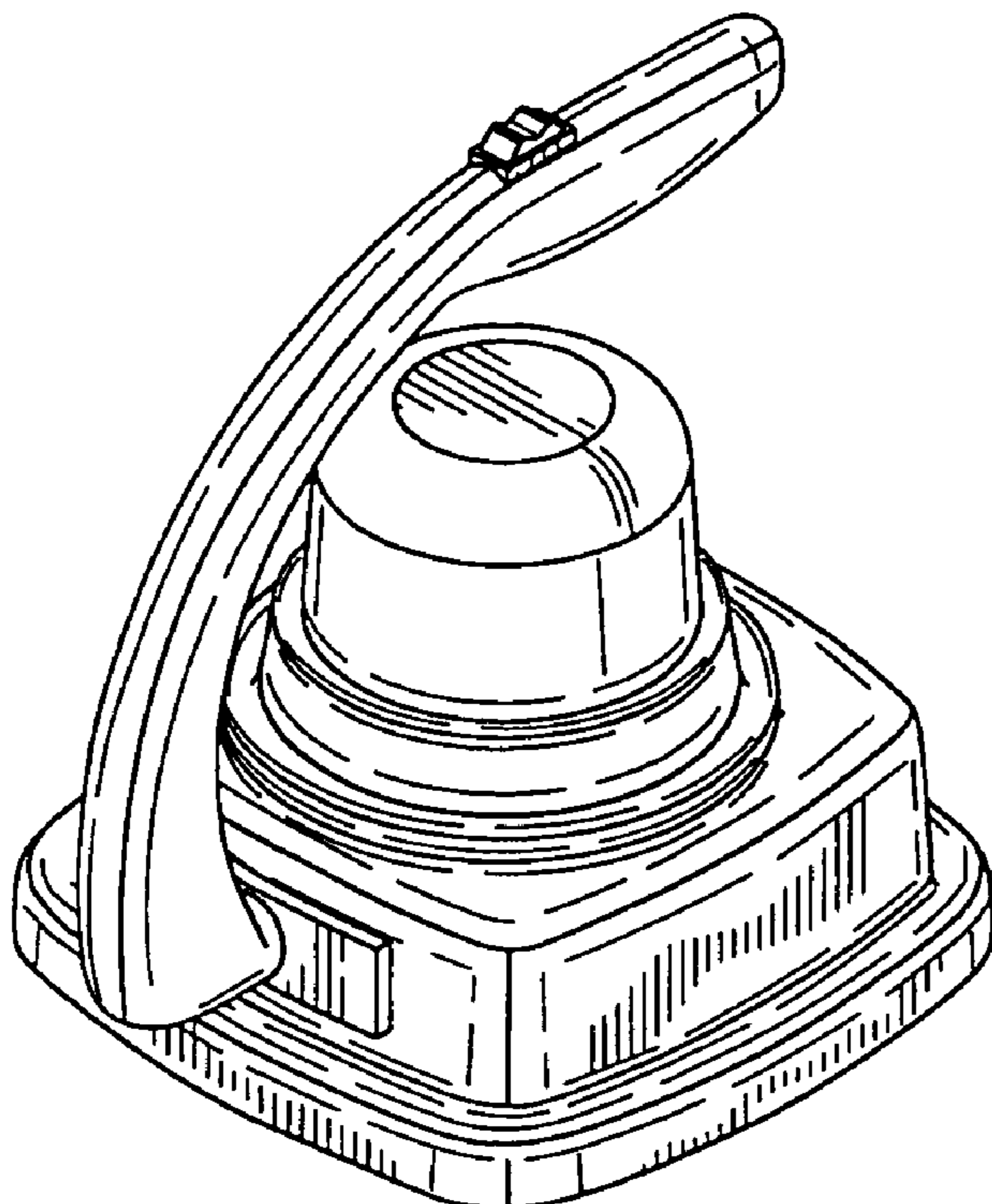
FIG. 7 is a bottom plan view thereof;

FIG. 8 is a reduced top, front and left-side perspective view thereof; and,

FIG. 9 is a reduced right side elevation view thereof.

The portion of the canister and vacuuming attachment shown in broken lines in FIGS. 8 and 9 are for illustrative purposes only and form no part of the claimed design.

**1 Claim, 3 Drawing Sheets**



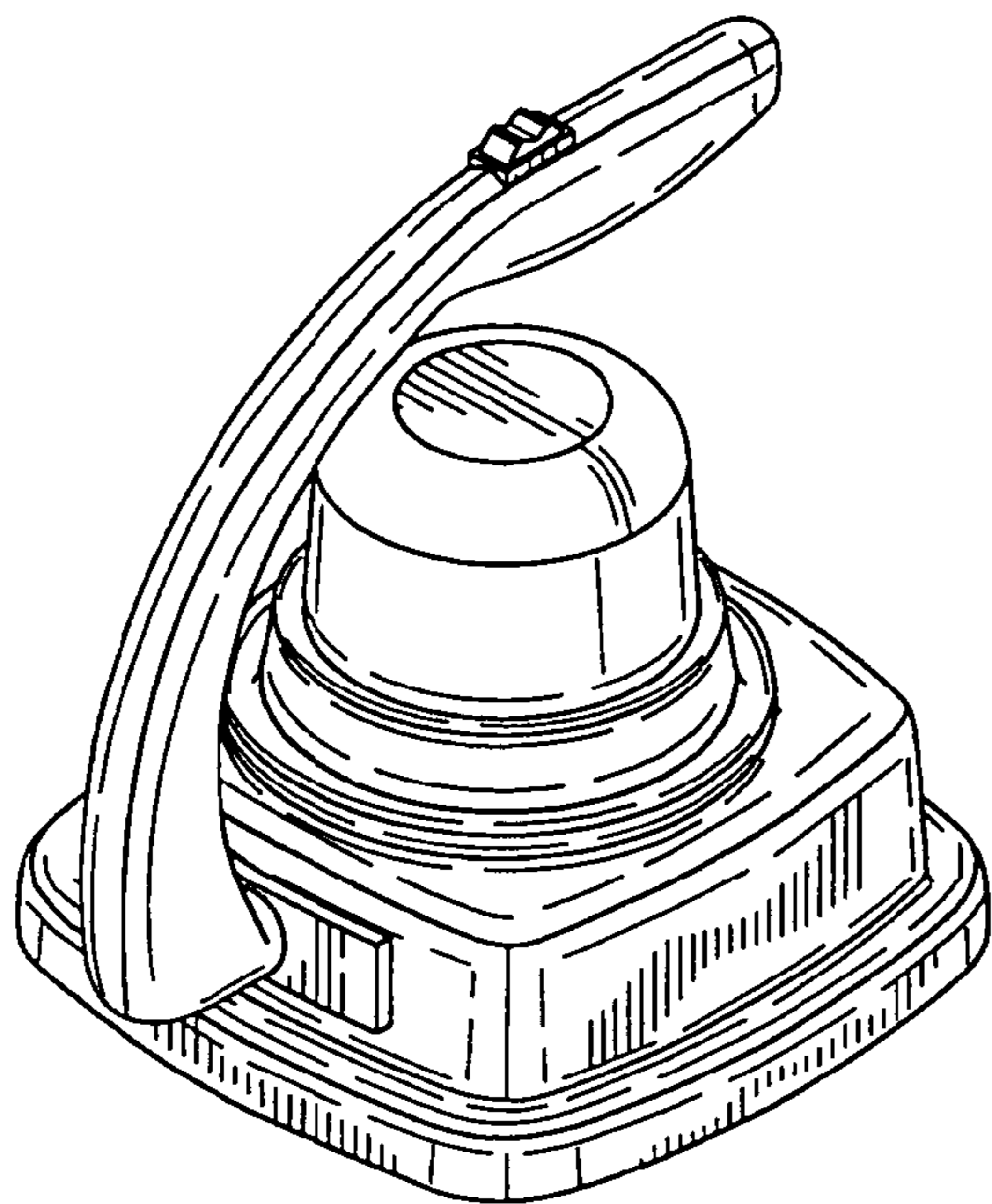


Fig. 1

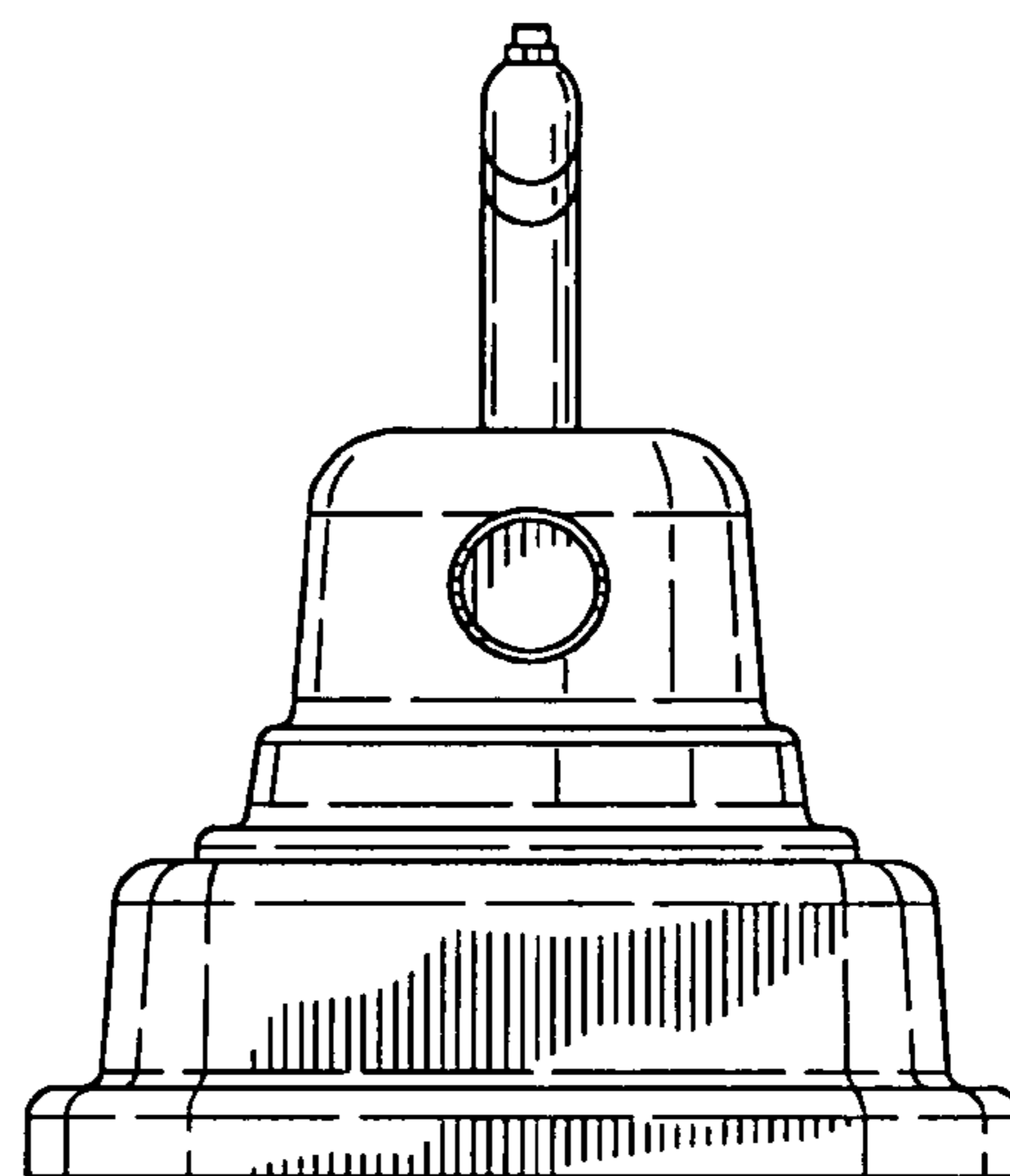


Fig. 2

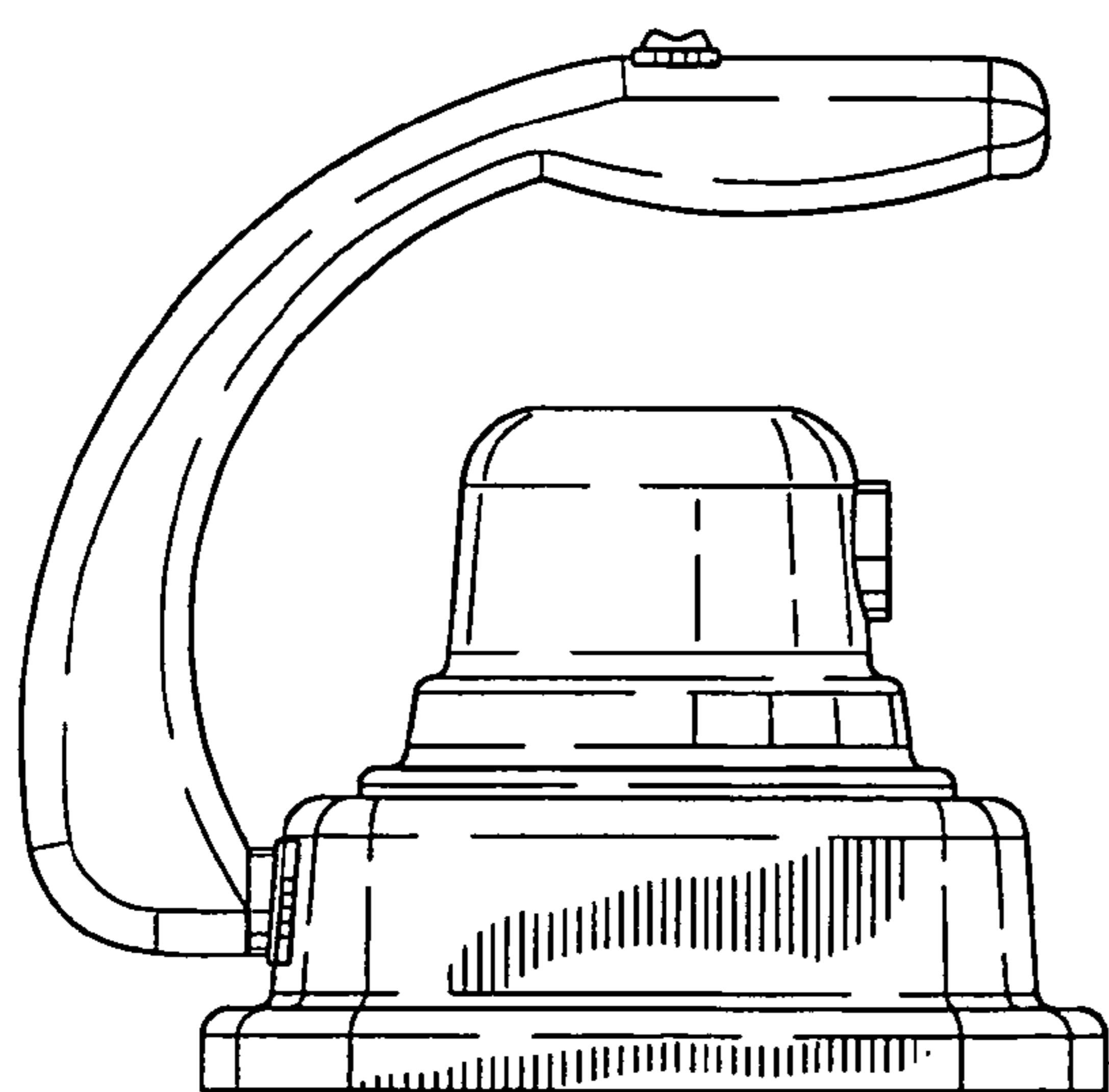


Fig. 3

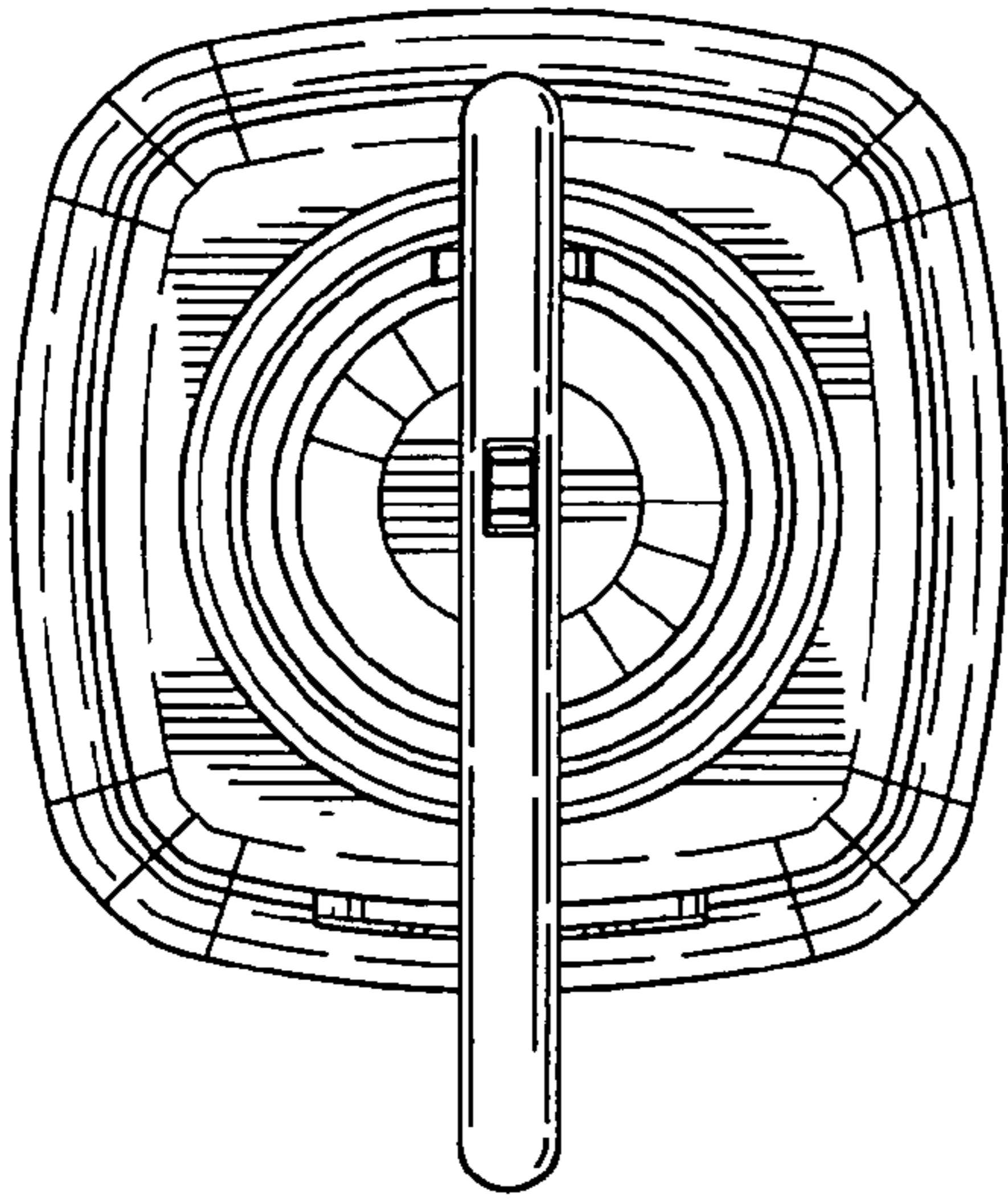


Fig. 4

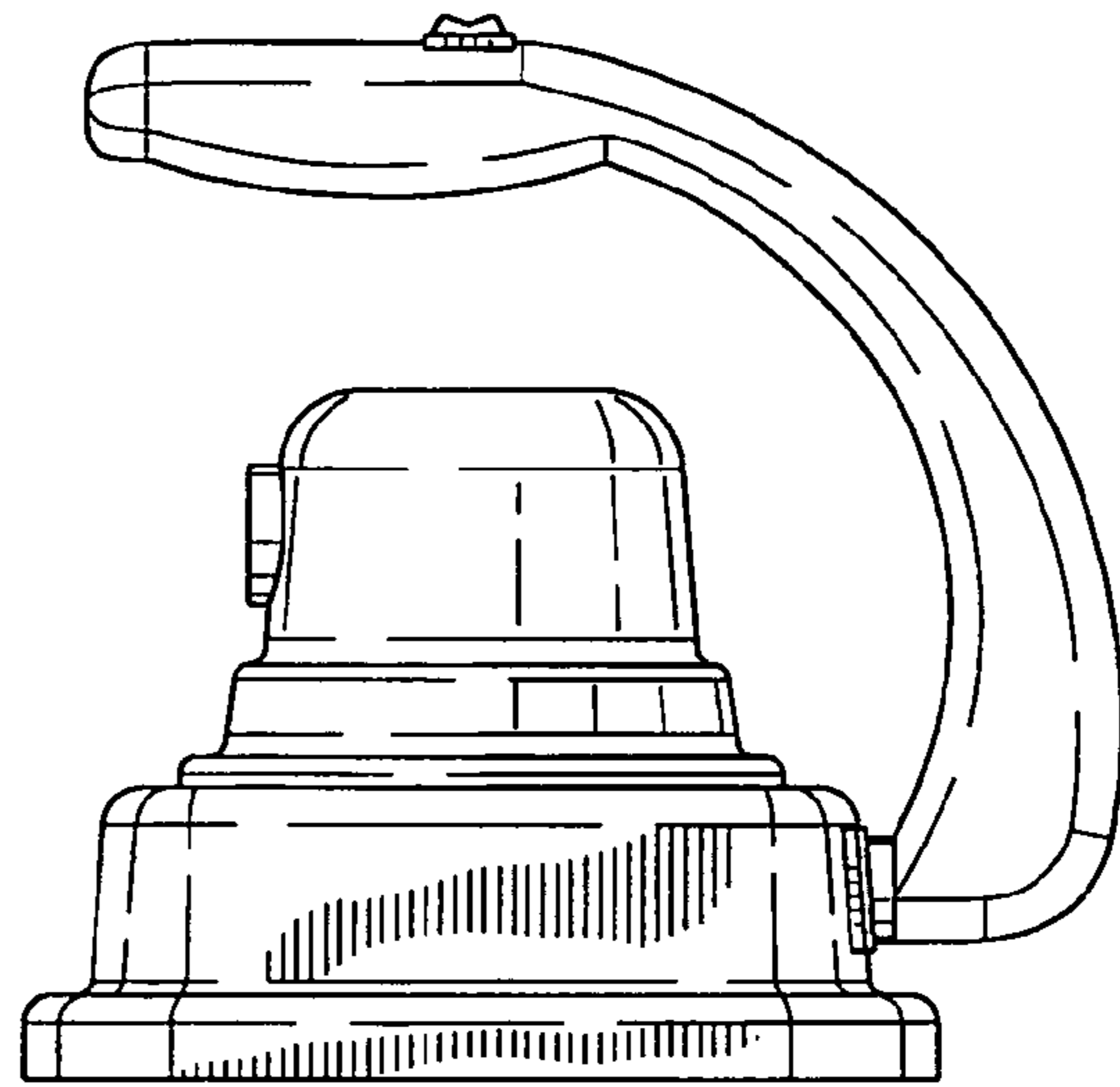


Fig. 5

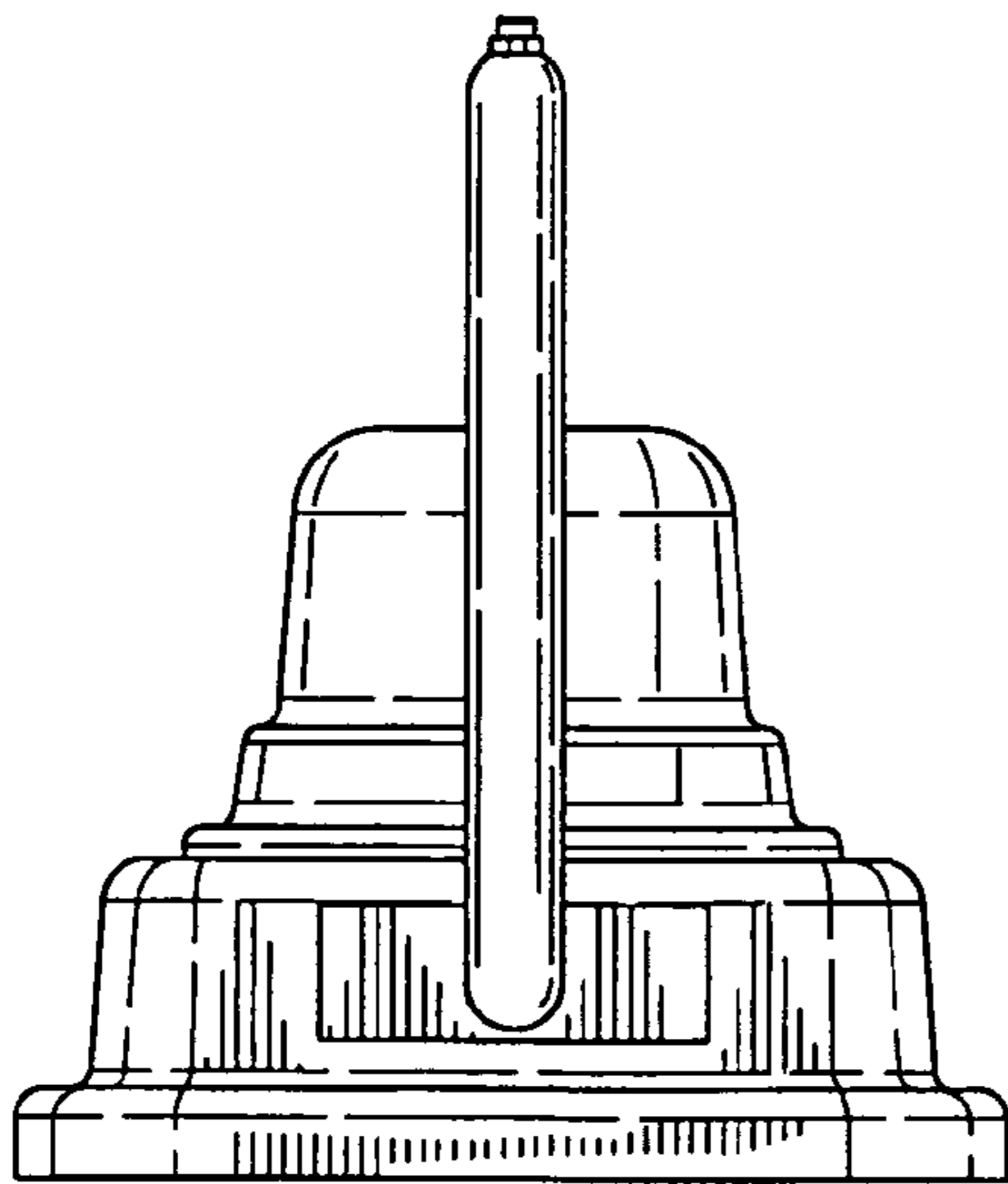


Fig. 6

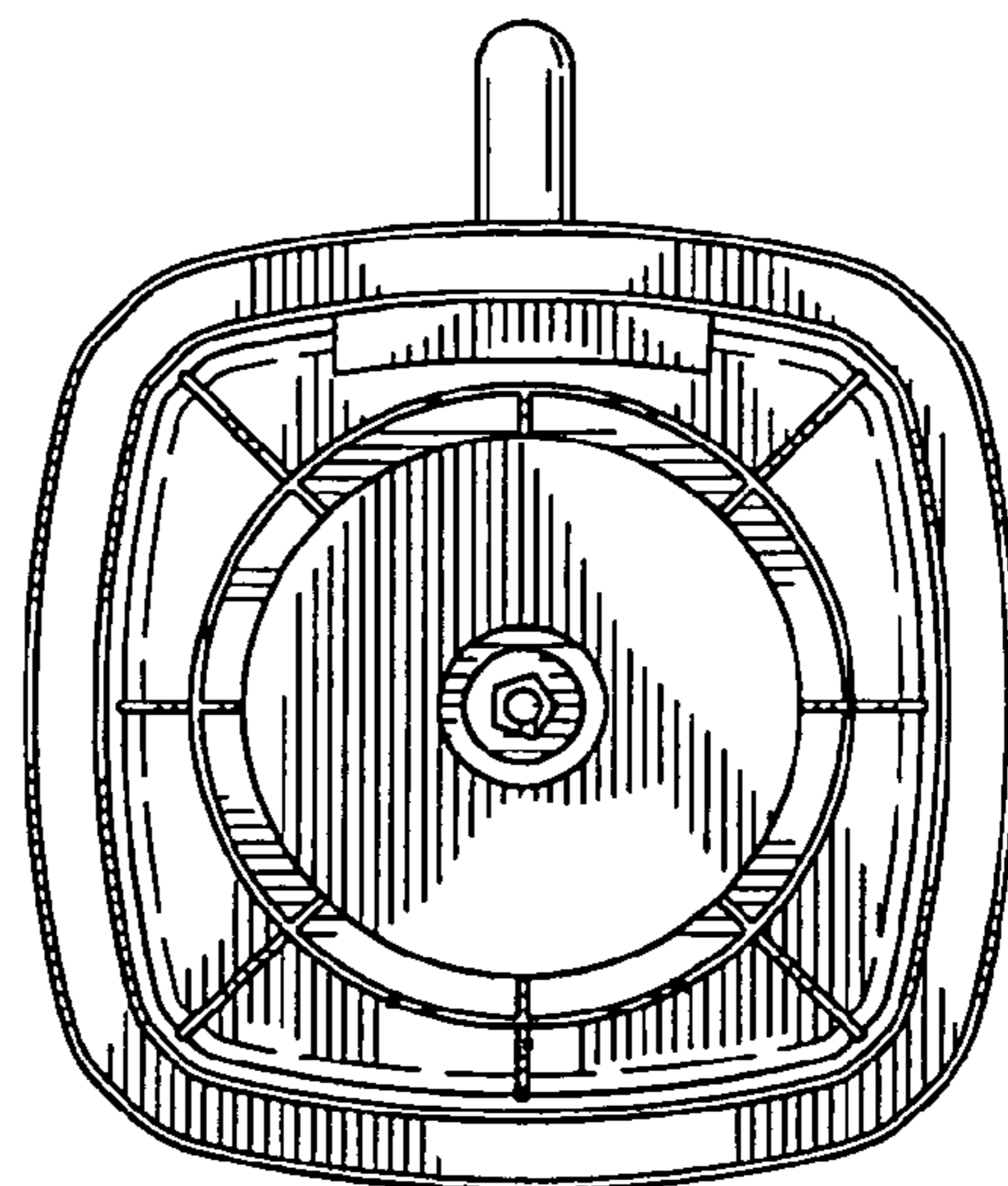


Fig. 7

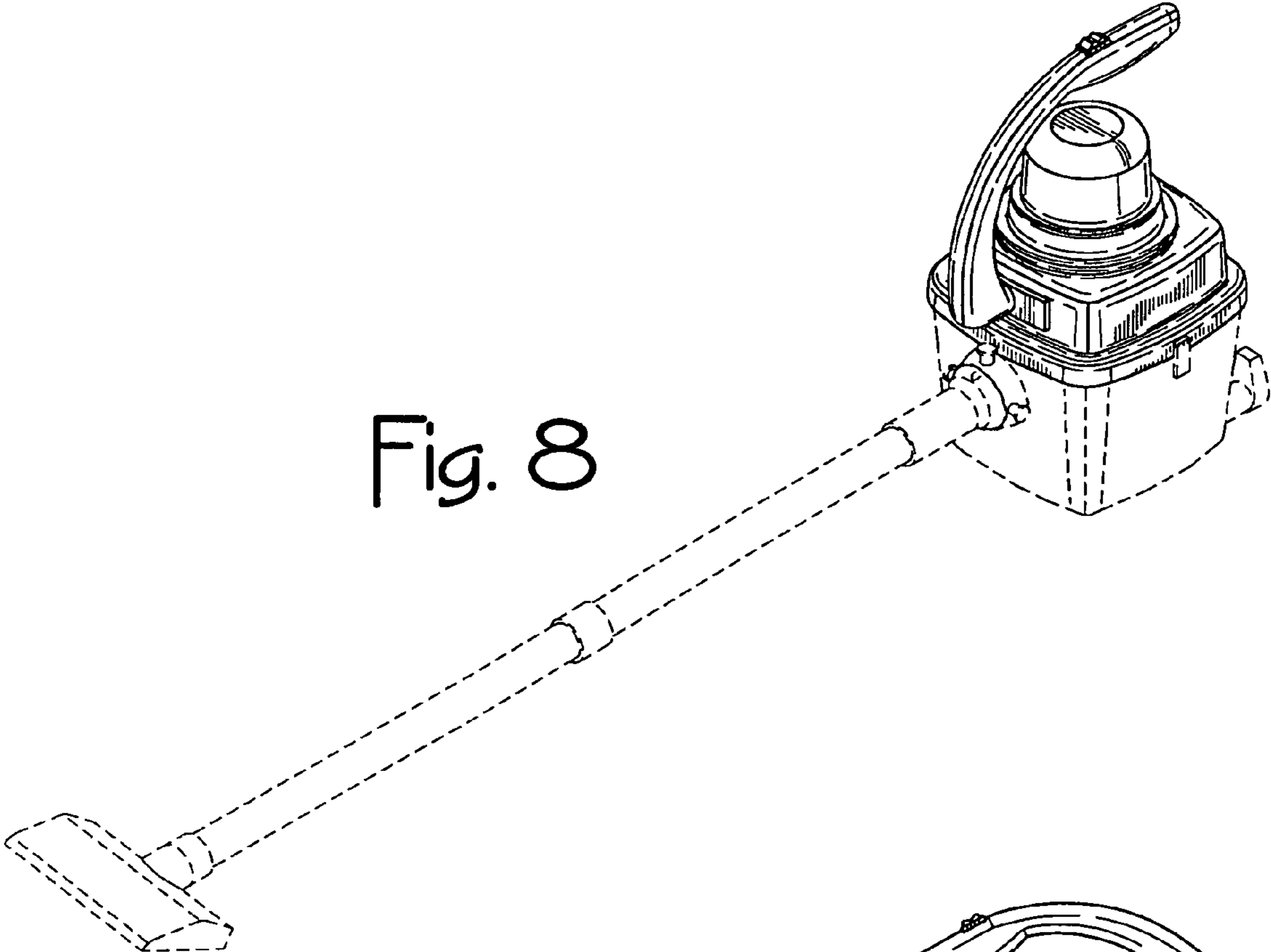


Fig. 8

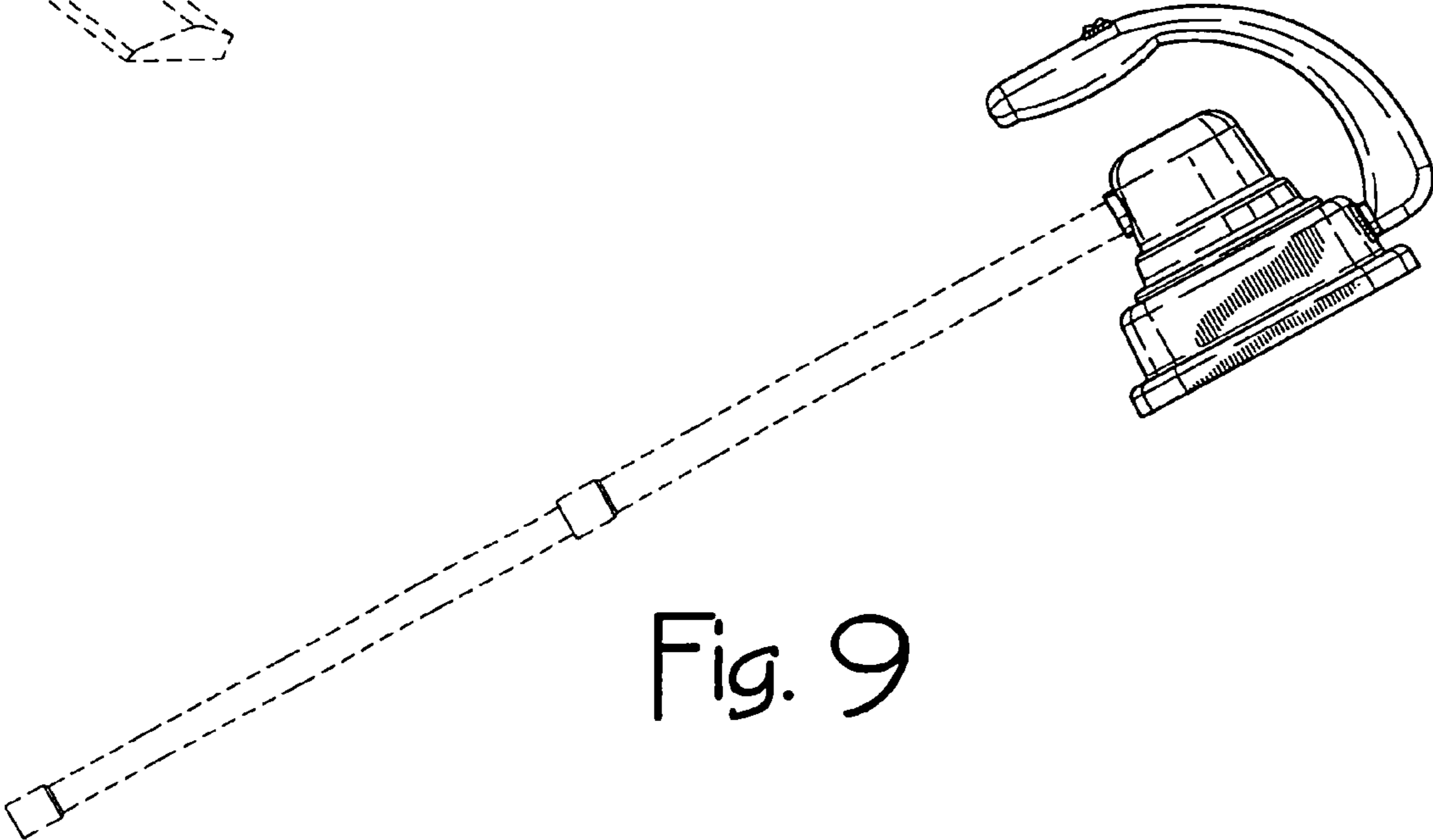


Fig. 9