



US00D613915S

(12) **United States Design Patent**  
**Plotkin**

(10) **Patent No.:** **US D613,915 S**

(45) **Date of Patent:** **\*\* Apr. 13, 2010**

(54) **ANIMAL WASTE COLLECTING APPARATUS**

2009/0102212 A1\* 4/2009 Casper ..... 294/1.4  
2009/0134644 A1\* 5/2009 Roberts ..... 294/1.4

(76) **Inventor:** **Robert Plotkin**, 8475 SE. Governor's Way, Hobe Sound, FL (US) 33455

\* cited by examiner

(\*\*) **Term:** **14 Years**

*Primary Examiner*—Cathy Anne MacCormac

(74) *Attorney, Agent, or Firm*—McHale & Slavin, P.A.

(21) **Appl. No.:** **29/335,019**

(57) **CLAIM**

(22) **Filed:** **Apr. 7, 2009**

The ornamental design for an animal waste collecting apparatus, as shown and described.

(51) **LOC (9) Cl.** ..... **30-99**

(52) **U.S. Cl.** ..... **D30/162**

(58) **Field of Classification Search** ..... D30/162;  
D7/667, 669-670, 681, 691; D8/10; 294/1.3,  
294/1.4, 1.5, 9, 28, 49, 50.8, 54.5, 55; D32/74  
See application file for complete search history.

**DESCRIPTION**

FIG. 1 is a top perspective view of the animal waste collecting apparatus of the instant invention;

FIG. 2 is a right view thereof;

FIG. 3 is a left view thereof;

FIG. 4 is a top view thereof;

FIG. 5 is a bottom view thereof;

FIG. 6 is a front view thereof;

FIG. 7 is a back view thereof;

FIG. 8 is another perspective view thereof; and,

FIG. 9 is an exploded view thereof.

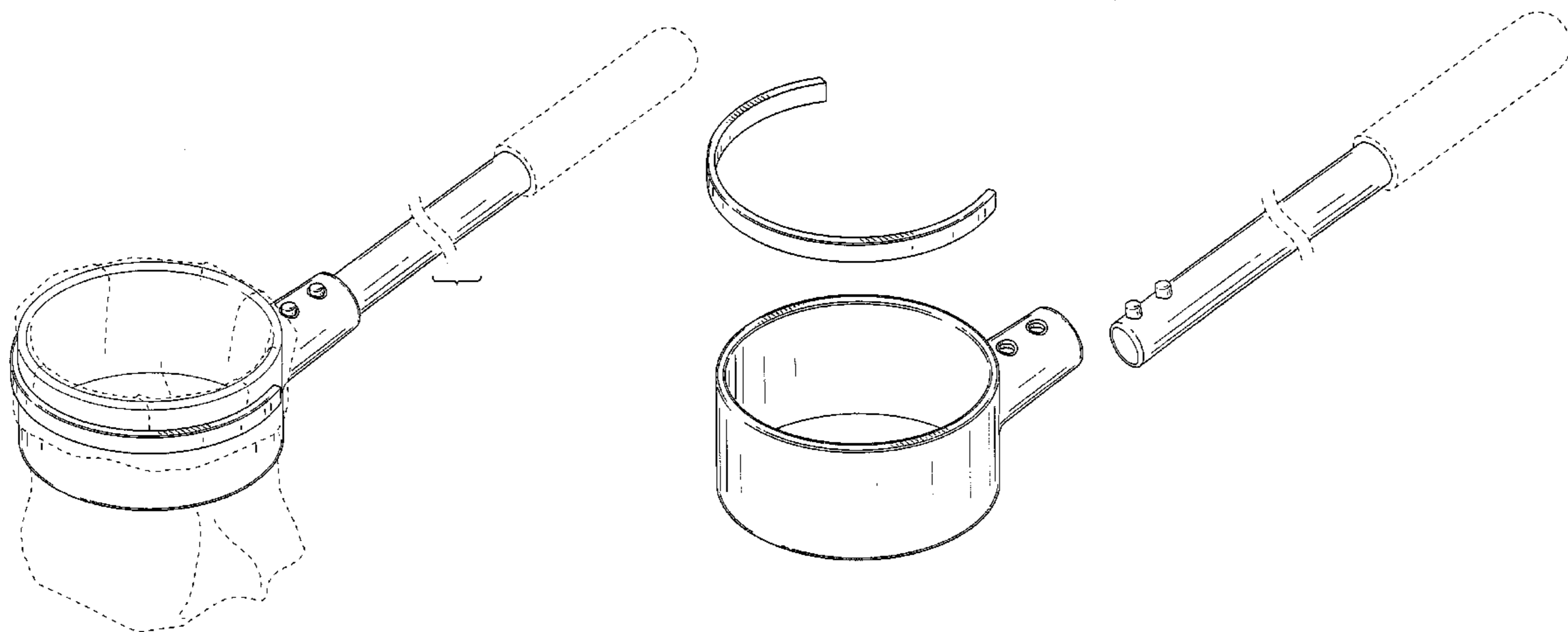
The handle is shown broken away in the figures to indicate that a specific length of this portion of the animal waste collecting apparatus forms no part of the claimed design.

(56) **References Cited**

**U.S. PATENT DOCUMENTS**

2,421,740	A *	6/1947	Birch, Jr.	.....	248/101
D290,416	S *	6/1987	Breuer	.....	D30/162
D298,369	S *	11/1988	Shun et al.	.....	D30/162
D312,898	S *	12/1990	Roberts	.....	D30/162
5,718,469	A *	2/1998	Ockerman	.....	294/1.4
5,778,826	A *	7/1998	Dillon et al.	.....	119/717
D417,320	S *	11/1999	Nunez	.....	D30/162
6,149,214	A *	11/2000	Kipka et al.	.....	294/1.5
D461,027	S *	7/2002	Gardner	.....	D30/162
D587,412	S *	2/2009	Oka	.....	D30/162
2007/0176444	A1 *	8/2007	Pilas	.....	294/1.5
2009/0102211	A1 *	4/2009	Antar	.....	294/1.3

**1 Claim, 9 Drawing Sheets**



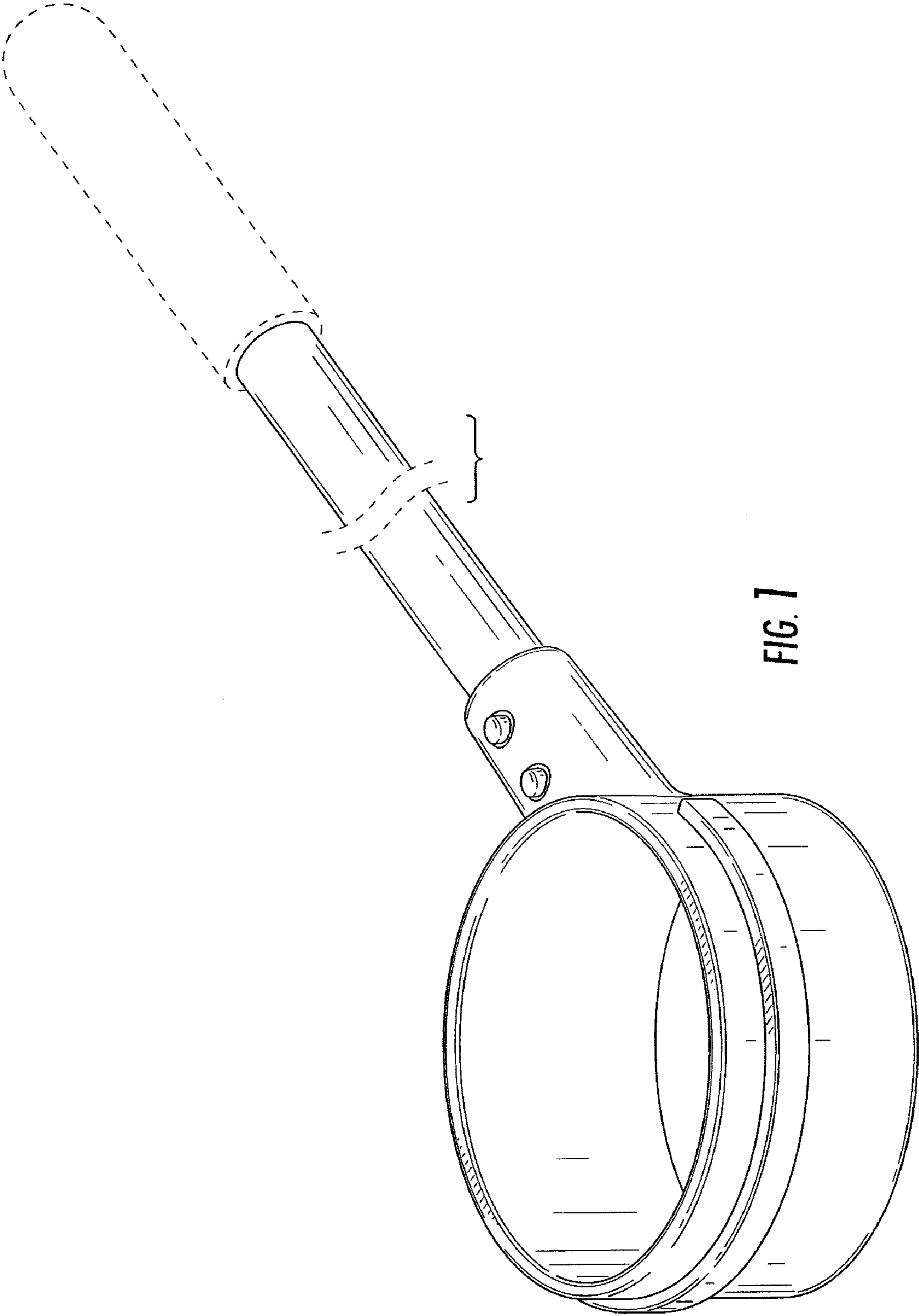


FIG. 1

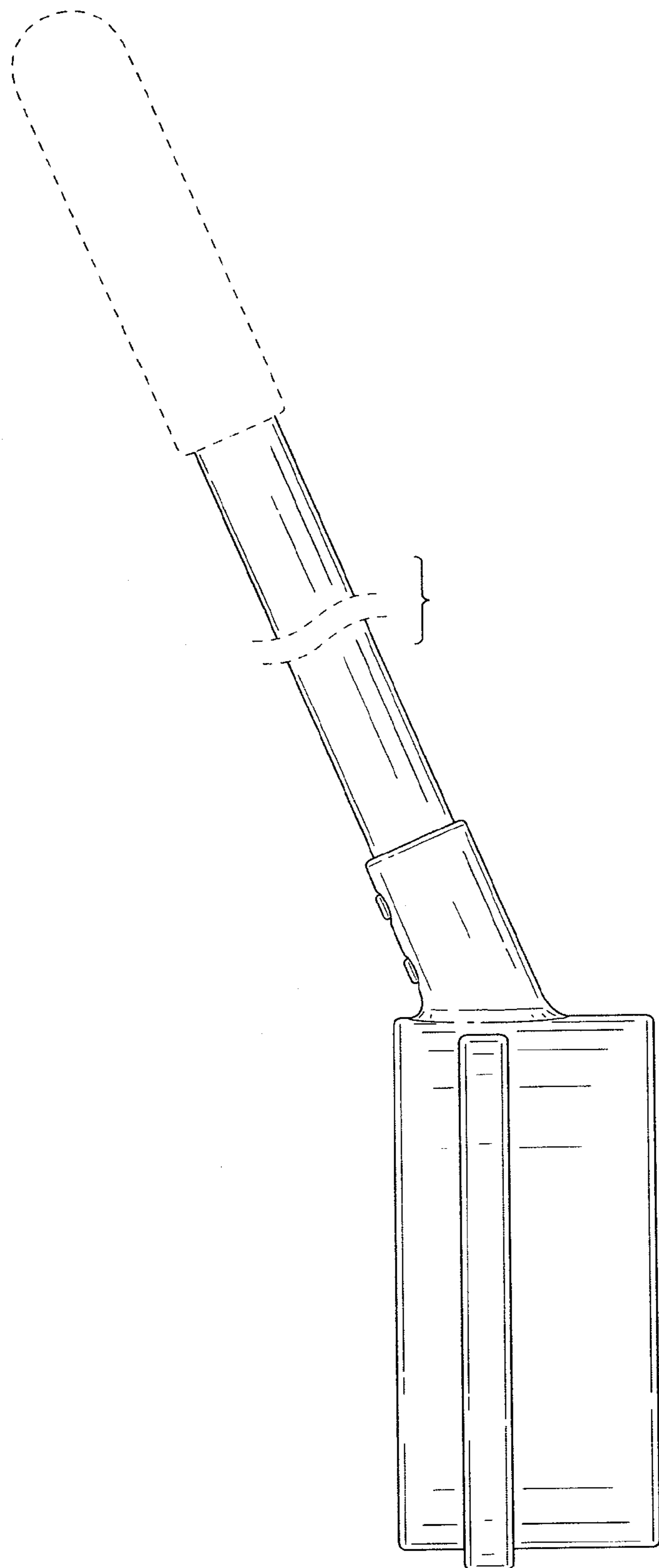


FIG. 2

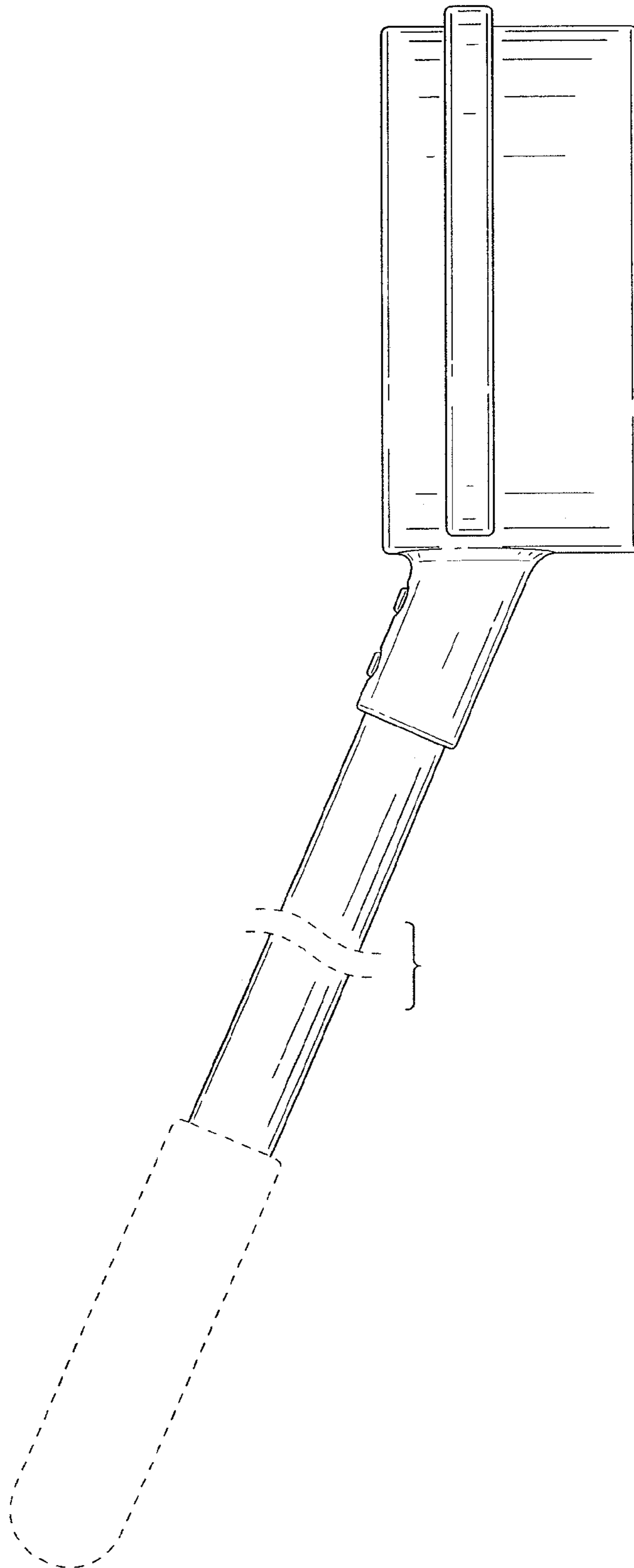


FIG. 3

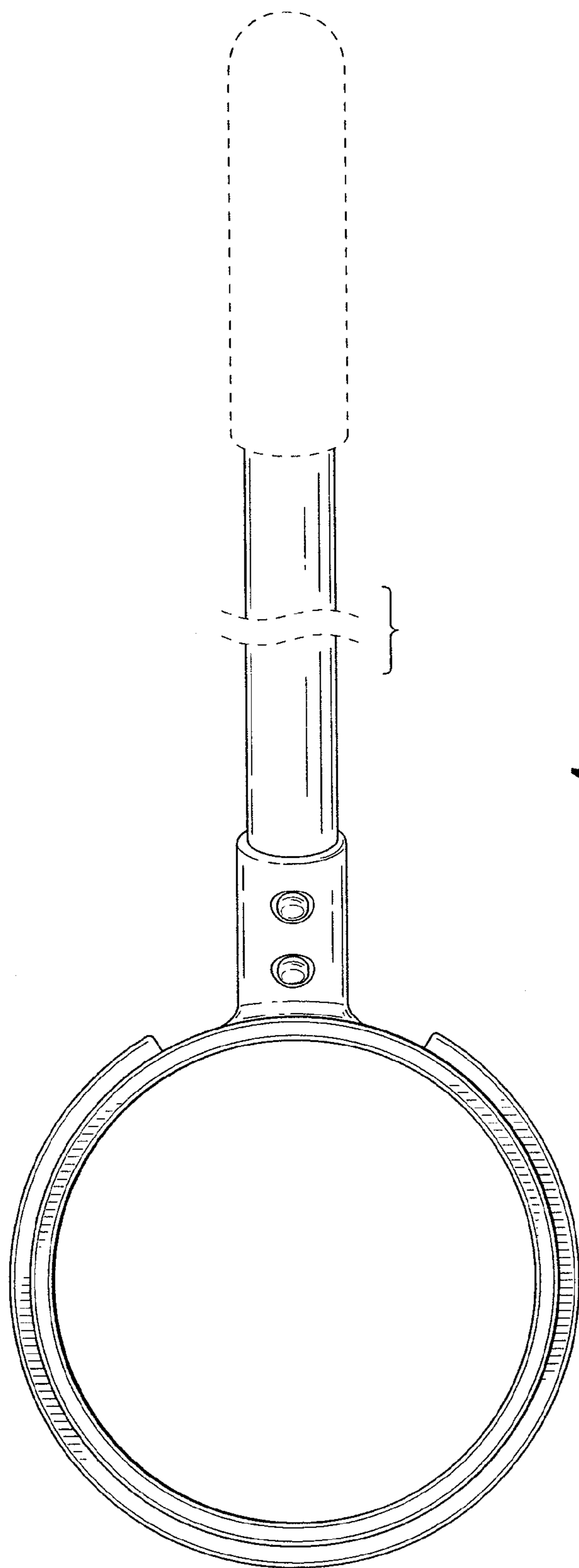


FIG. 4

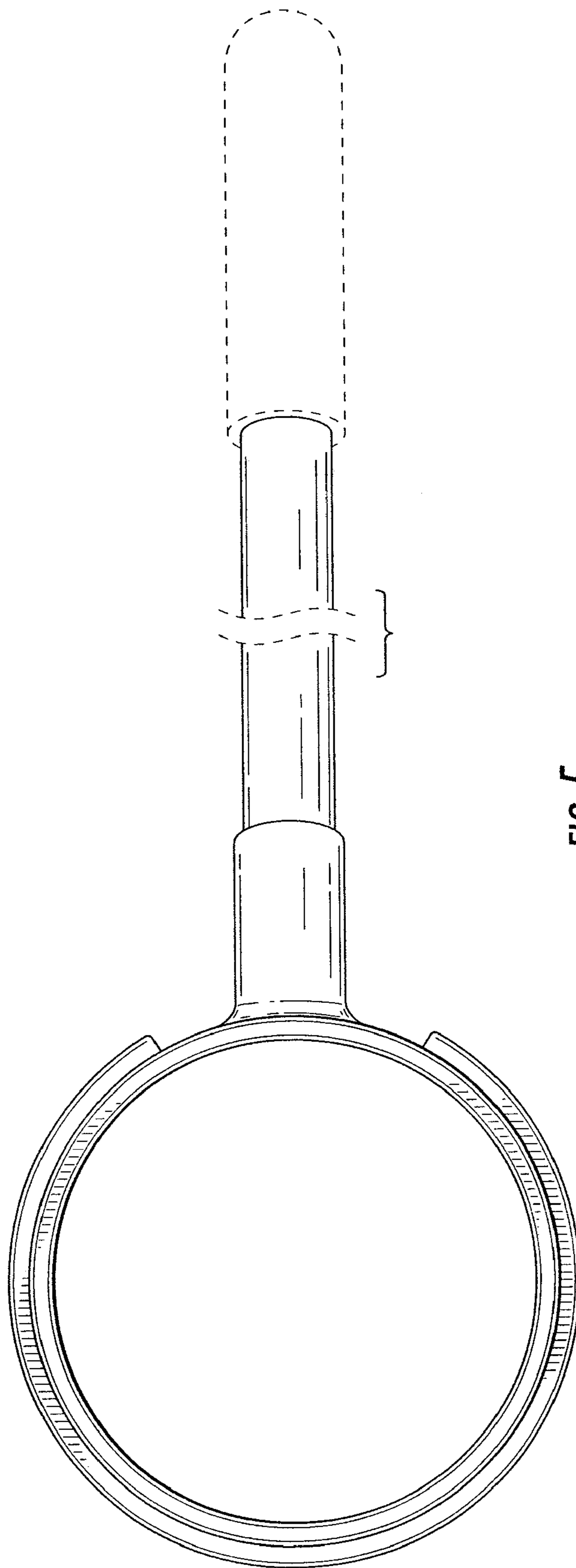


FIG. 5

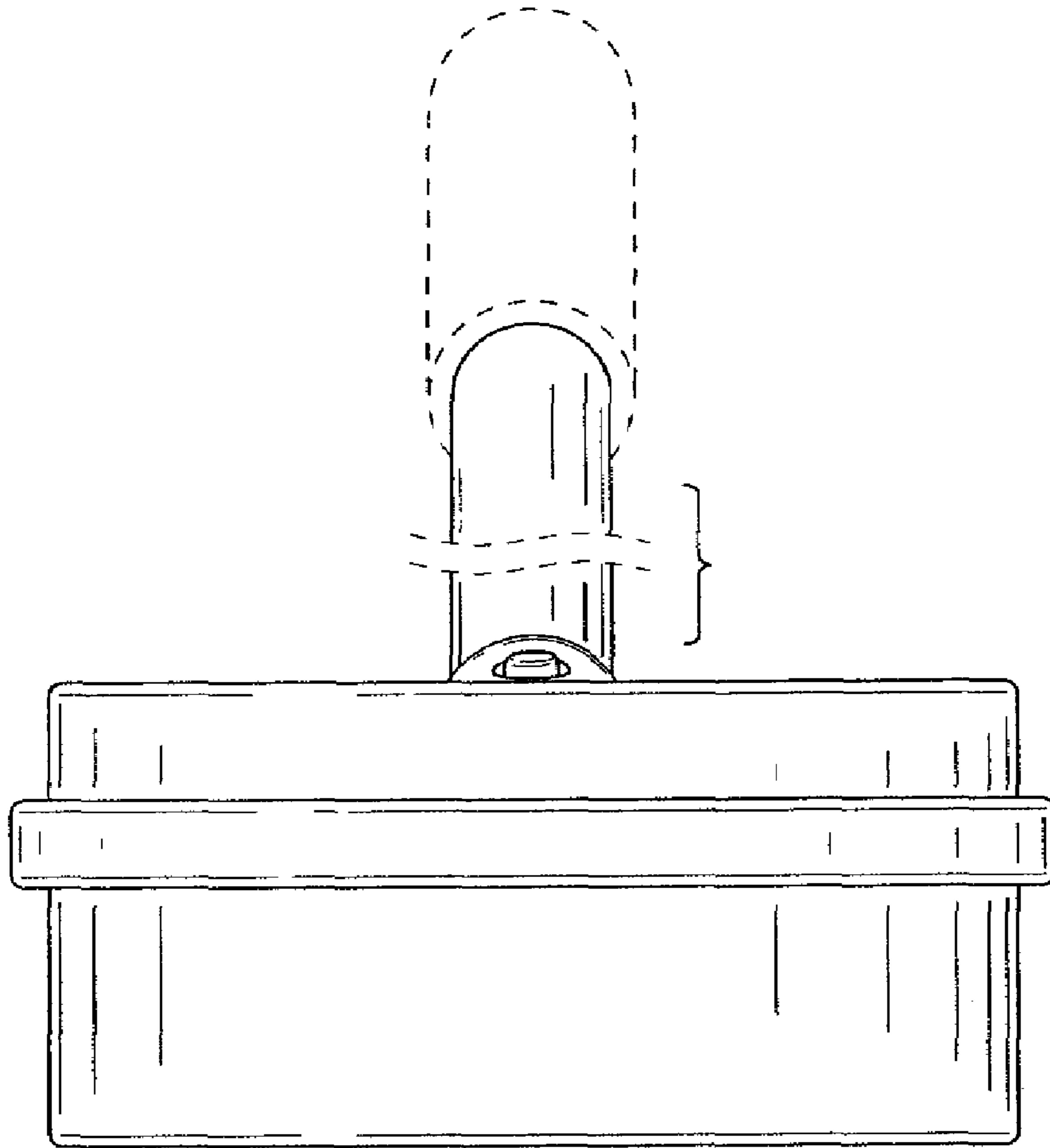


FIG. 6

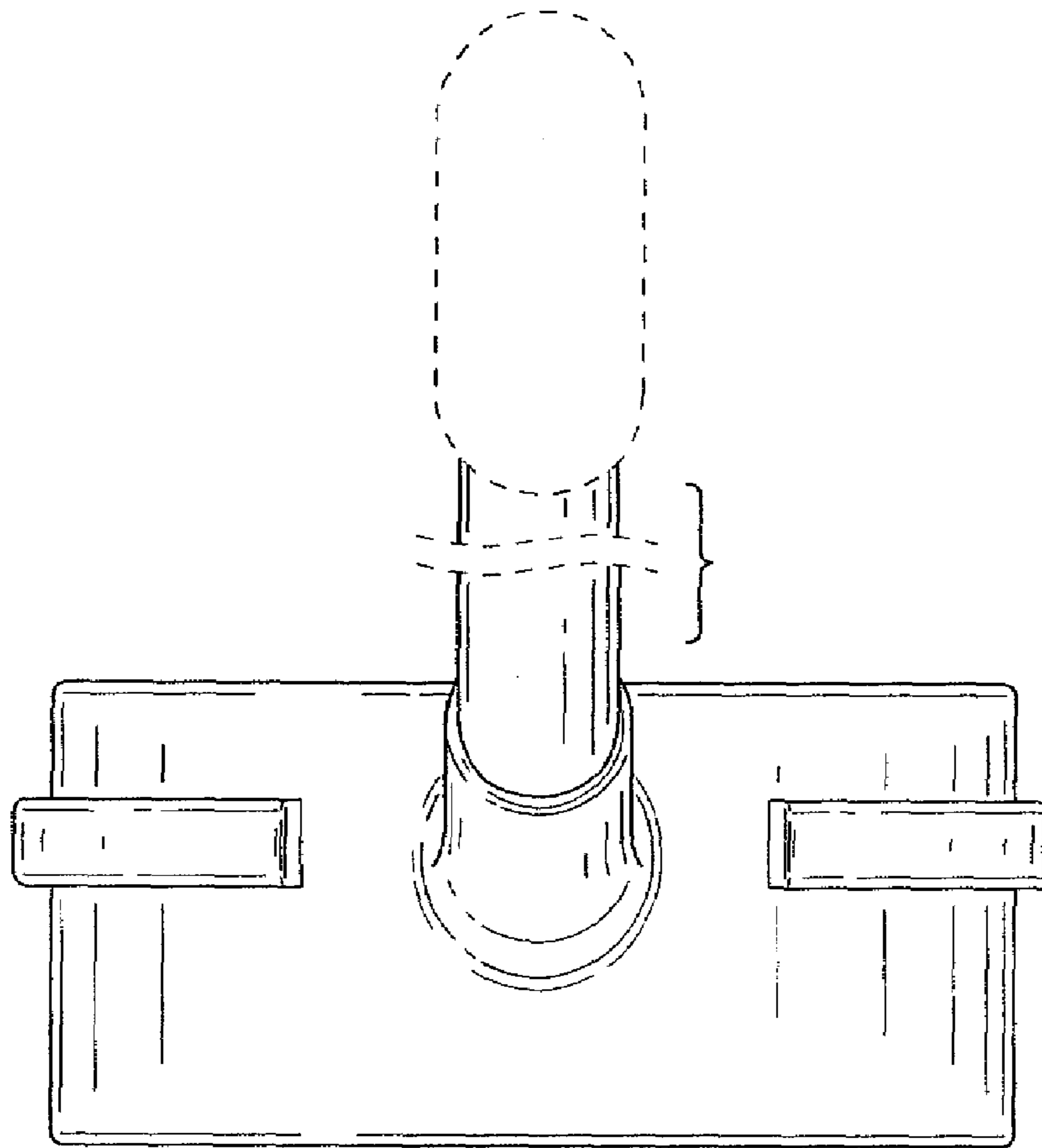


FIG. 7



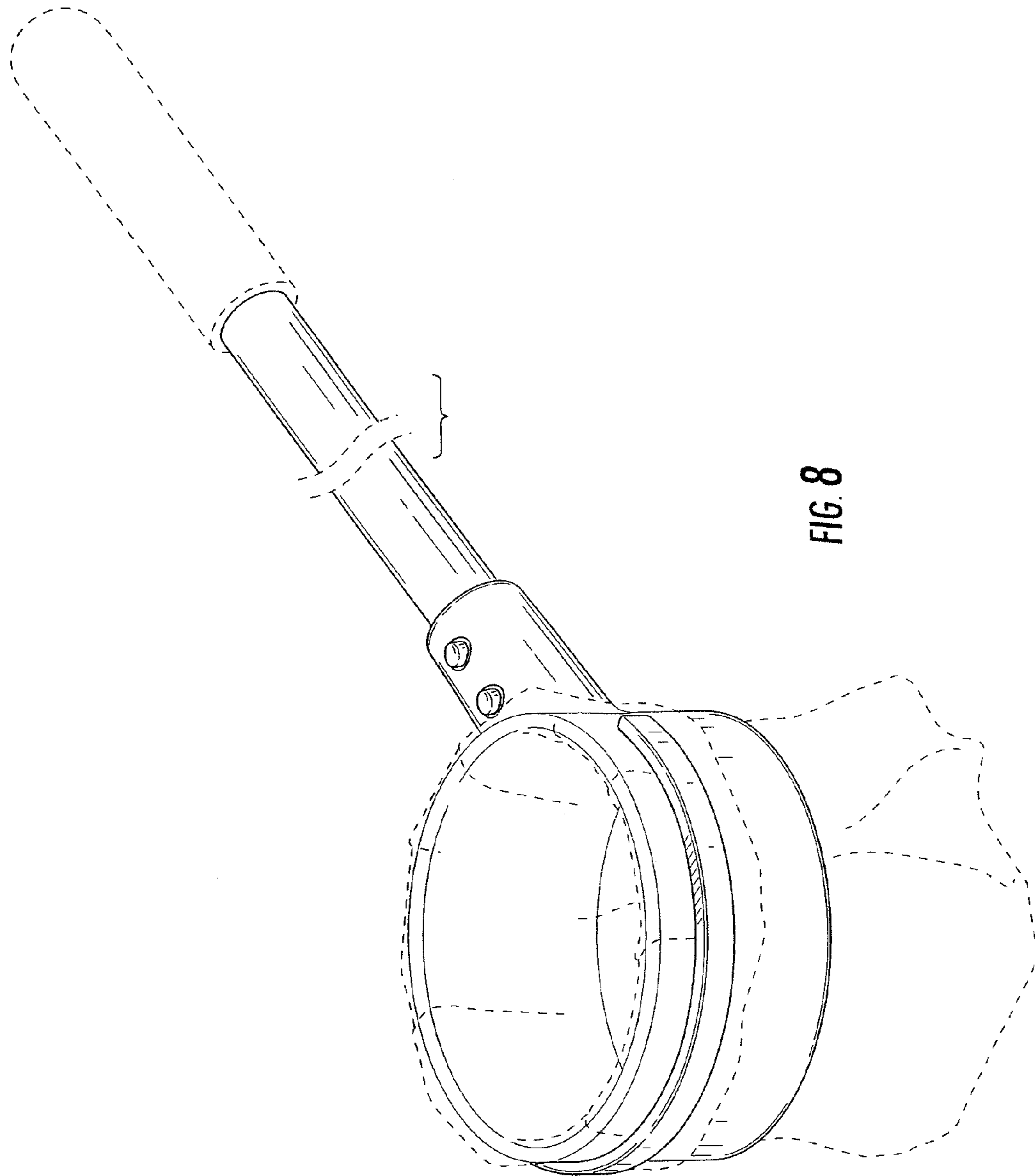


FIG. 8

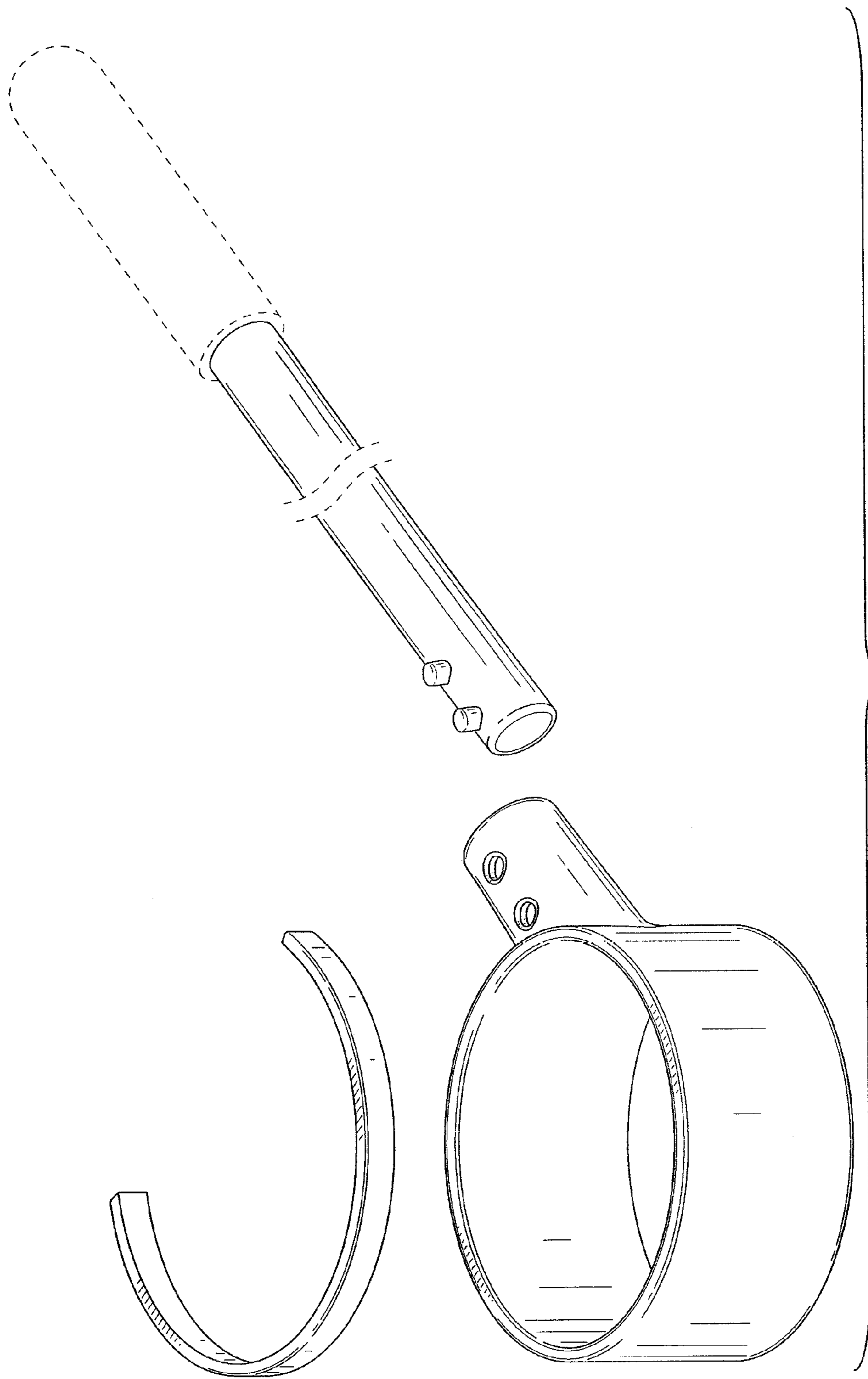


FIG. 9