



US00D613914S

(12) **United States Design Patent**  
**Askinasi**

(10) **Patent No.:** **US D613,914 S**

(45) **Date of Patent:** **\*\* Apr. 13, 2010**

(54) **ANIMAL WASTE PAD HOLDER**

(75) Inventor: **Barry Askinasi**, Mt. Sinai, NY (US)

(73) Assignee: **Four Paws Products, Ltd.**, Hauppauge, NY (US)

(\*\*) Term: **14 Years**

(21) Appl. No.: **29/337,673**

(22) Filed: **May 27, 2009**

(51) **LOC (9) Cl.** ..... **30-99**

(52) **U.S. Cl.** ..... **D30/161**

(58) **Field of Classification Search** ..... D30/108,  
D30/118-120, 161; 119/161-170, 28.5;  
D9/414

See application file for complete search history.

(56) **References Cited**

**U.S. PATENT DOCUMENTS**

1,773,141	A *	8/1930	Hodgson	.....	119/165
4,711,198	A *	12/1987	Mossbarger	.....	119/168
4,976,218	A *	12/1990	Cirami	.....	119/168
5,080,046	A *	1/1992	Cassone	.....	119/168
D398,345	S *	9/1998	Lin	.....	D30/161

D408,599	S *	4/1999	Vice et al.	.....	D30/161
6,418,880	B1 *	7/2002	Chiu	.....	119/162
D609,412	*	2/2010	Seager et al.	.....	D30/161

\* cited by examiner

*Primary Examiner*—Mitchell I Siegel

(74) *Attorney, Agent, or Firm*—Darby & Darby P.C.

(57) **CLAIM**

The ornamental design for a animal waste pad holder, as shown and described.

**DESCRIPTION**

FIG. 1 is a perspective view of the animal waste pad holder; FIG. 2 is a front elevational view thereof; FIG. 3 is a rear elevational view thereof; FIG. 4 is a top plan view thereof; FIG. 5 is a left side elevational view thereof; FIG. 6 is a right side elevational view thereof; and, FIG. 7 is a bottom plan view thereof.

The broken line showing is included for the purpose of illustrating and forms no part of the claimed design.

**1 Claim, 4 Drawing Sheets**

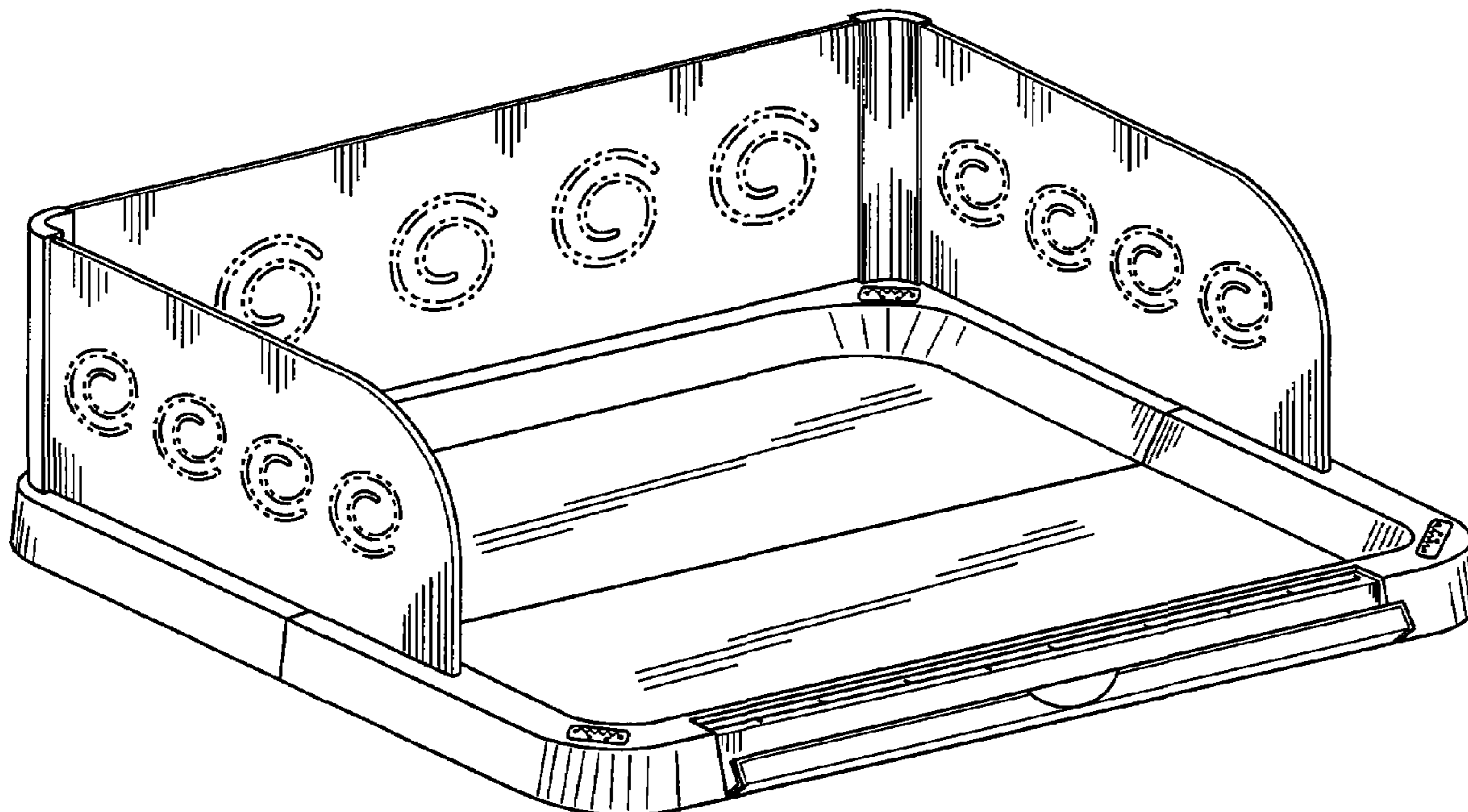


FIG. 1

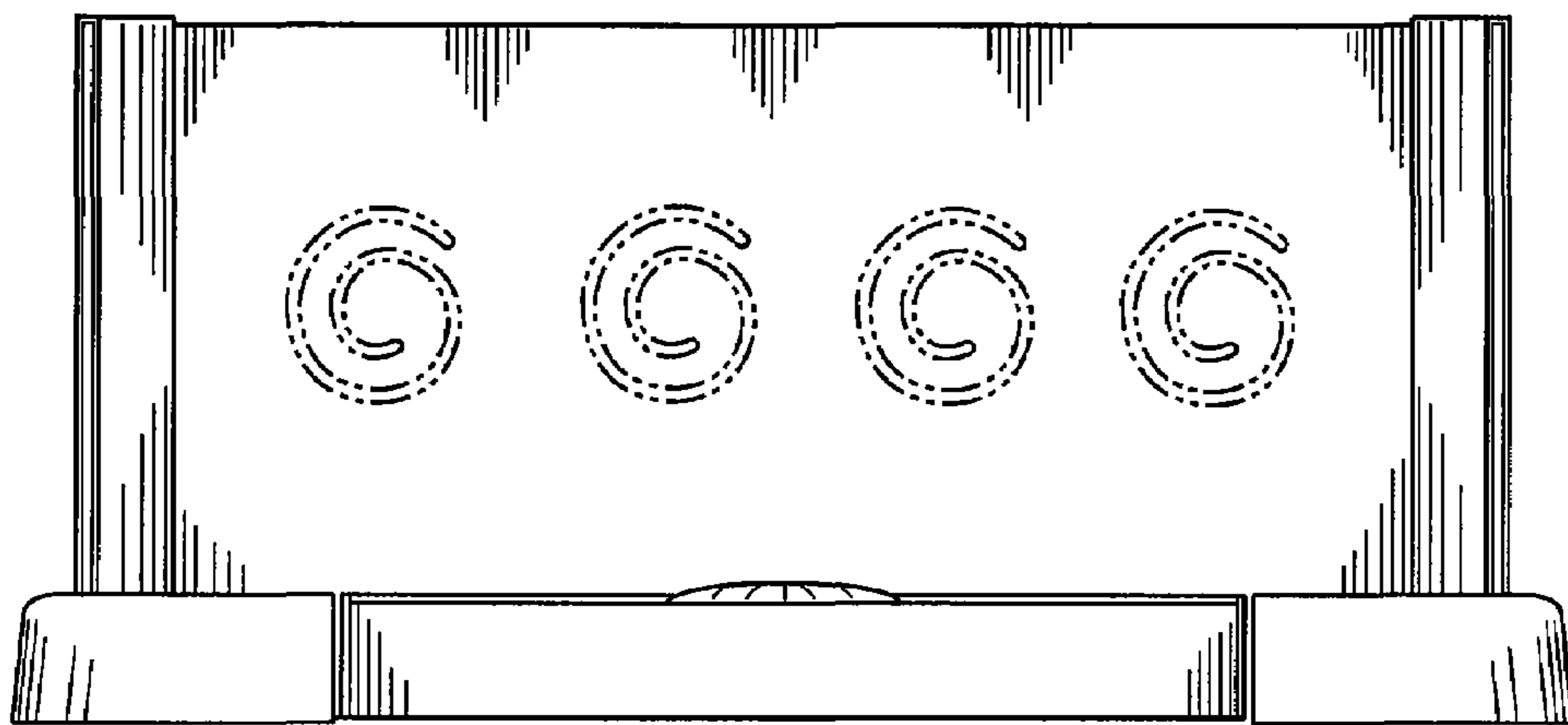
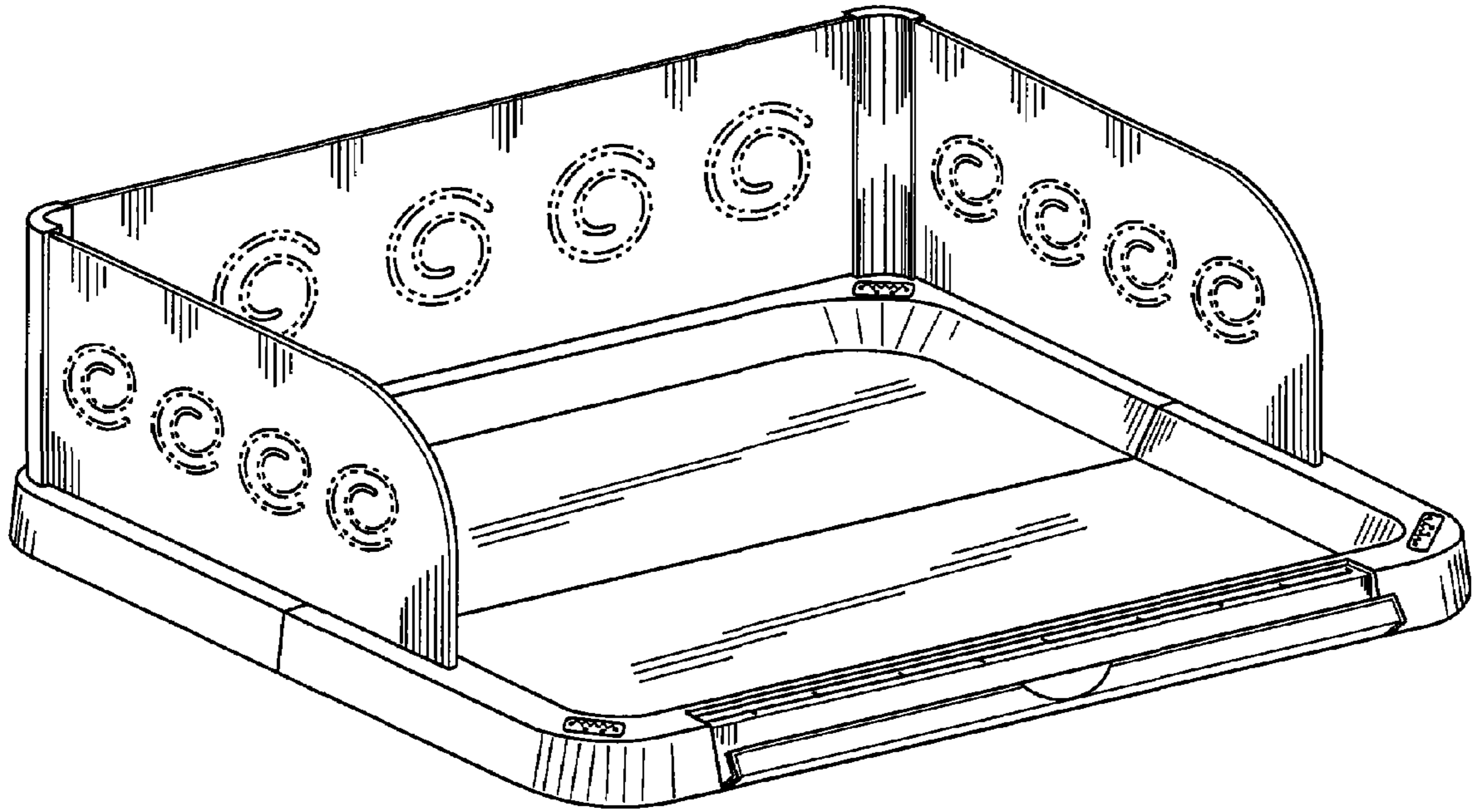


FIG. 2

FIG. 3

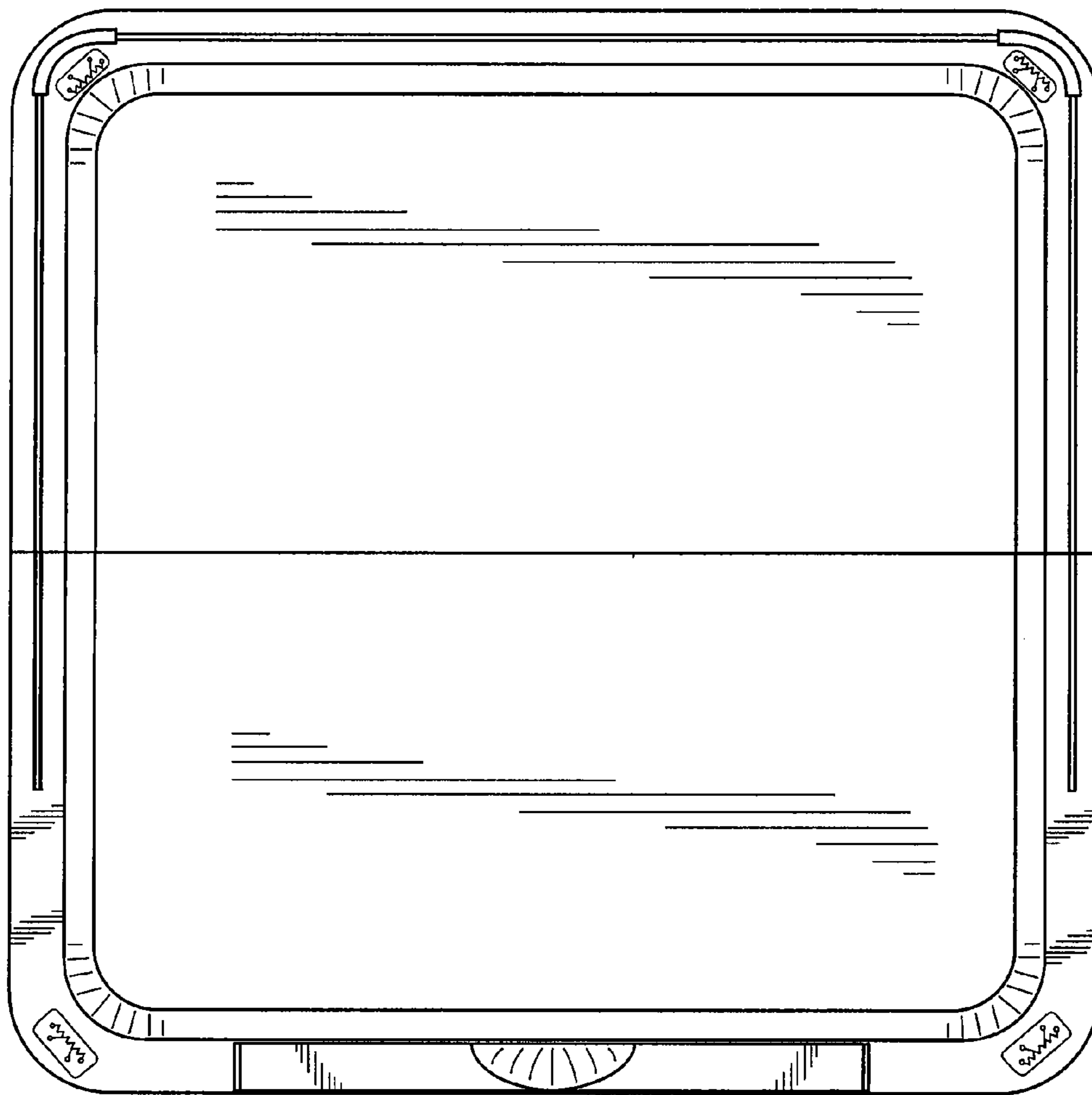
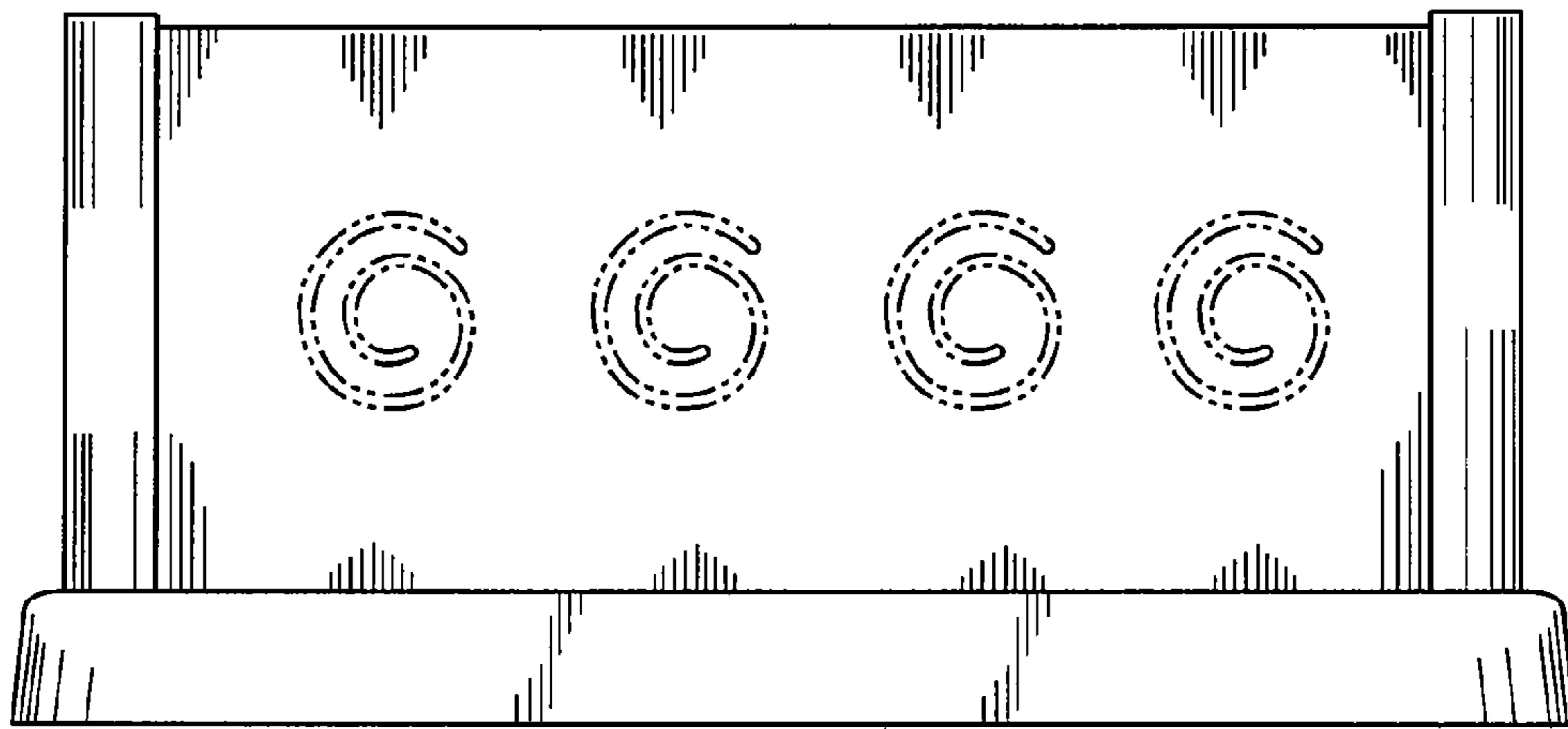
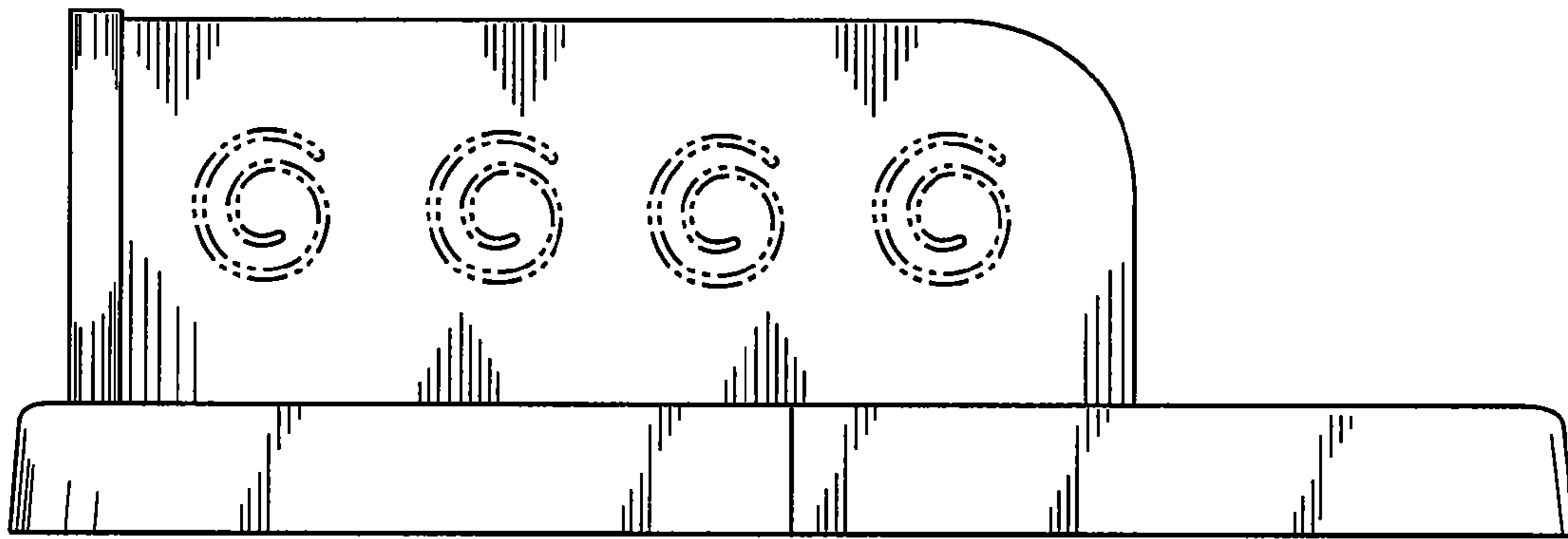


FIG. 4

**FIG. 5**



**FIG. 6**

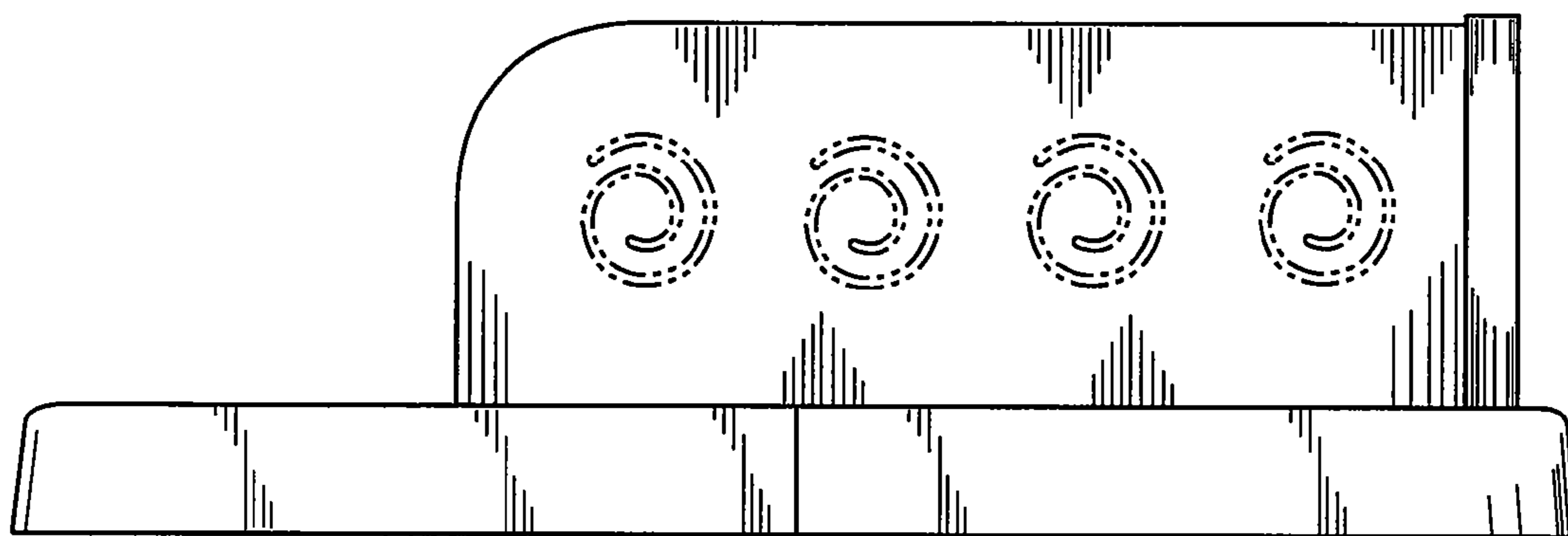


FIG. 7

