



US00D613913S

(12) **United States Design Patent**  
**Watson et al.**

(10) **Patent No.:** **US D613,913 S**  
(45) **Date of Patent:** **\*\* Apr. 13, 2010**

(54) **PET TOY**

(75) Inventors: **Jason T. Watson**, Charlotte, NC (US);  
**Klim Kozinevich**, Arden, NC (US)

(73) Assignee: **Dublin Dog Co.**, Charlotte, NC (US)

(\*\*) Term: **14 Years**

(21) Appl. No.: **29/332,417**

(22) Filed: **Feb. 16, 2009**

(51) **LOC (9) Cl.** ..... **30-99**

(52) **U.S. Cl.** ..... **D30/160**

(58) **Field of Classification Search** ..... D30/160;  
D21/406, 408, 436, 707, 798; D24/194-195,  
D24/200, 215; 119/702, 707-711  
See application file for complete search history.

(56) **References Cited**

**U.S. PATENT DOCUMENTS**

D177,323	S	*	4/1956	Guest	.....	D21/707
D404,085	S	*	1/1999	Golad et al.	.....	D21/372
6,003,470	A	*	12/1999	Budman	.....	119/711
6,109,608	A	*	8/2000	Golad	.....	273/146
D456,570	S	*	4/2002	Tsengas	.....	D30/160
D456,959	S	*	5/2002	Simon	.....	D30/160
6,470,830	B2	*	10/2002	Mann	.....	119/709

D513,096	S	*	12/2005	Stiles	.....	D30/160
D545,509	S	*	6/2007	Wang	.....	D30/160
D579,157	S	*	10/2008	Edwards	.....	D30/160
D580,112	S	*	11/2008	Stiles	.....	D30/160
D585,162	S	*	1/2009	Partain et al.	.....	D30/160
D601,645	S	*	10/2009	Chapa, Jr.	.....	D21/707
D602,542	S	*	10/2009	Oblack et al.	.....	D21/707

\* cited by examiner

*Primary Examiner*—Cathy Anne MacCormac

(74) *Attorney, Agent, or Firm*—Williams Mullen; Thomas F. Bergert

(57) **CLAIM**

The ornamental design for a pet toy, as shown and described.

**DESCRIPTION**

FIG. 1 is a right front perspective view of a pet toy showing our new design.

FIG. 2 is a right side elevational view of the pet toy of FIG. 1;

FIG. 3 is a front elevational view of the pet toy of FIG. 1;

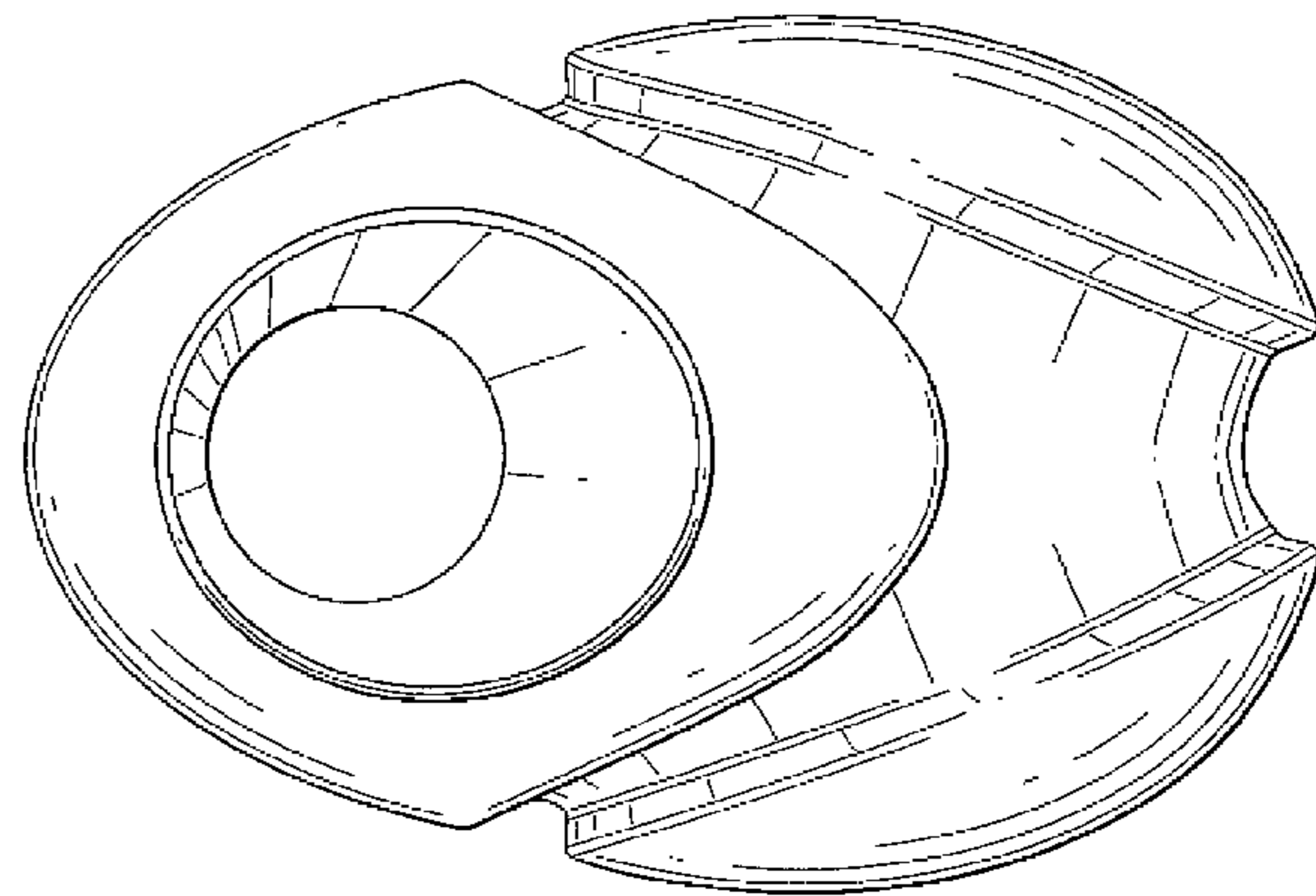
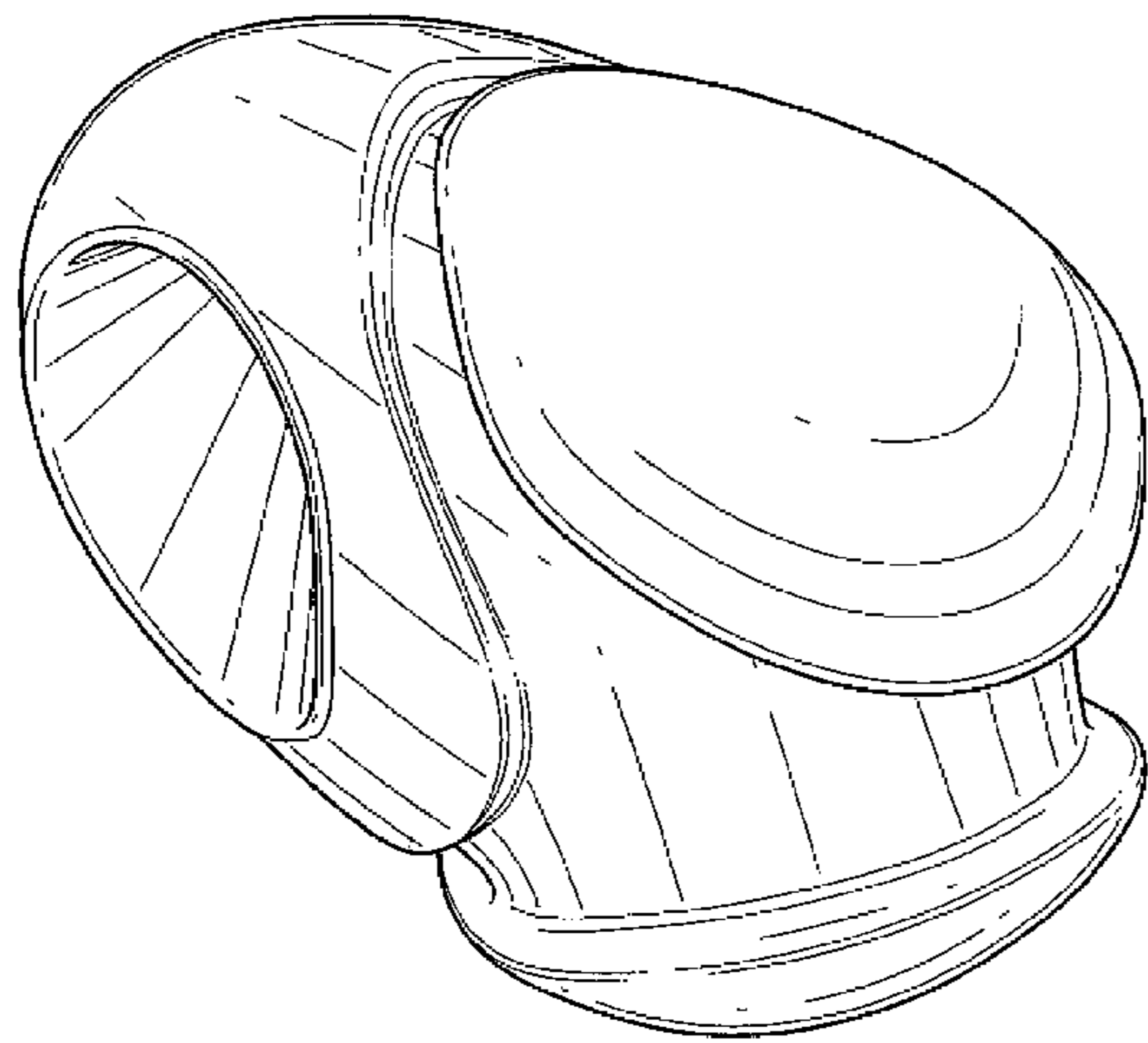
FIG. 4 is a left side elevational view of the pet toy of FIG. 1;

FIG. 5 is a rear elevational view of the pet toy of FIG. 1;

FIG. 6 is a top plan view of the pet toy of FIG. 1; and,

FIG. 7 is a bottom plan view of the pet toy of FIG. 1.

**1 Claim, 4 Drawing Sheets**



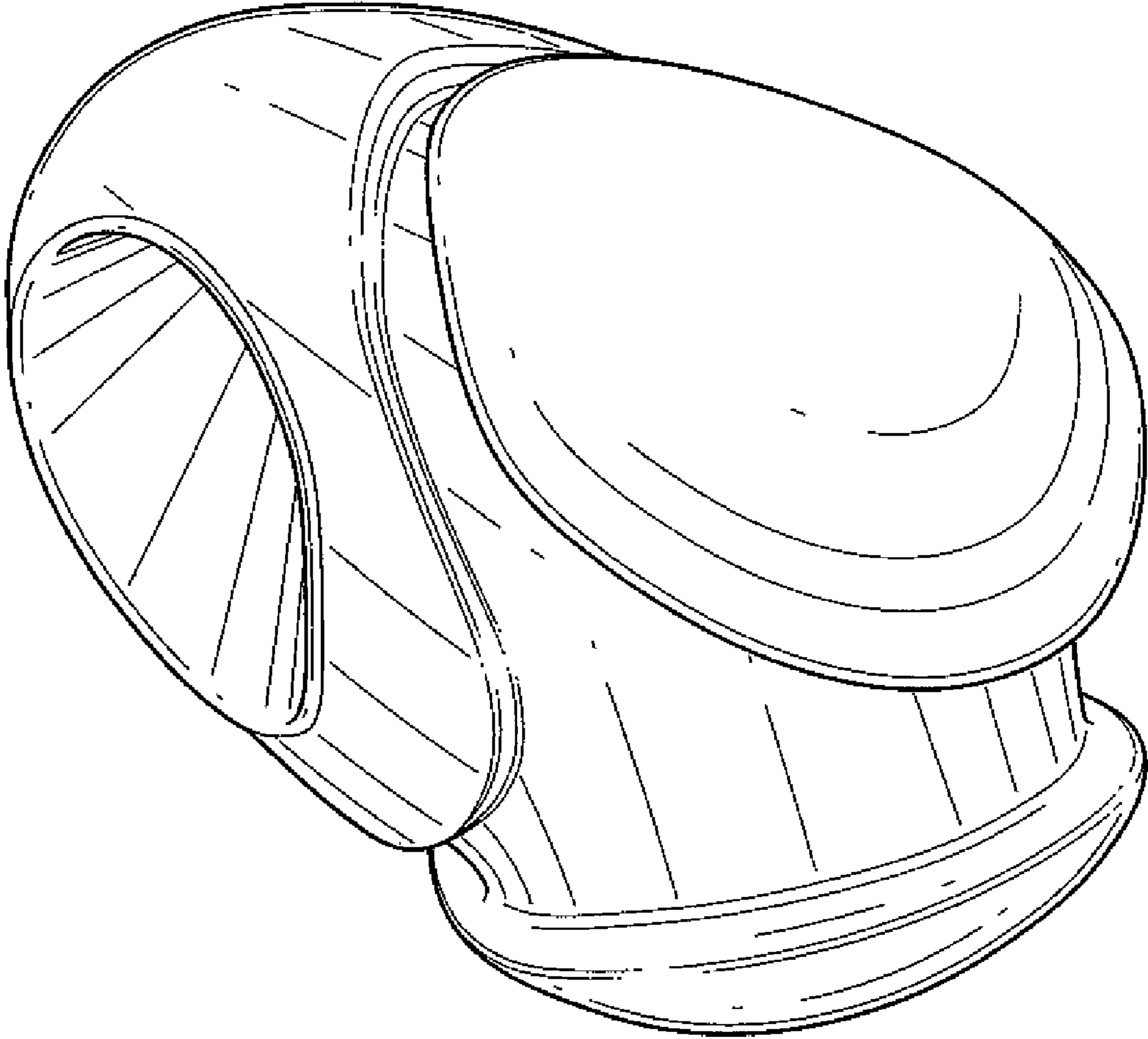


FIG. 1

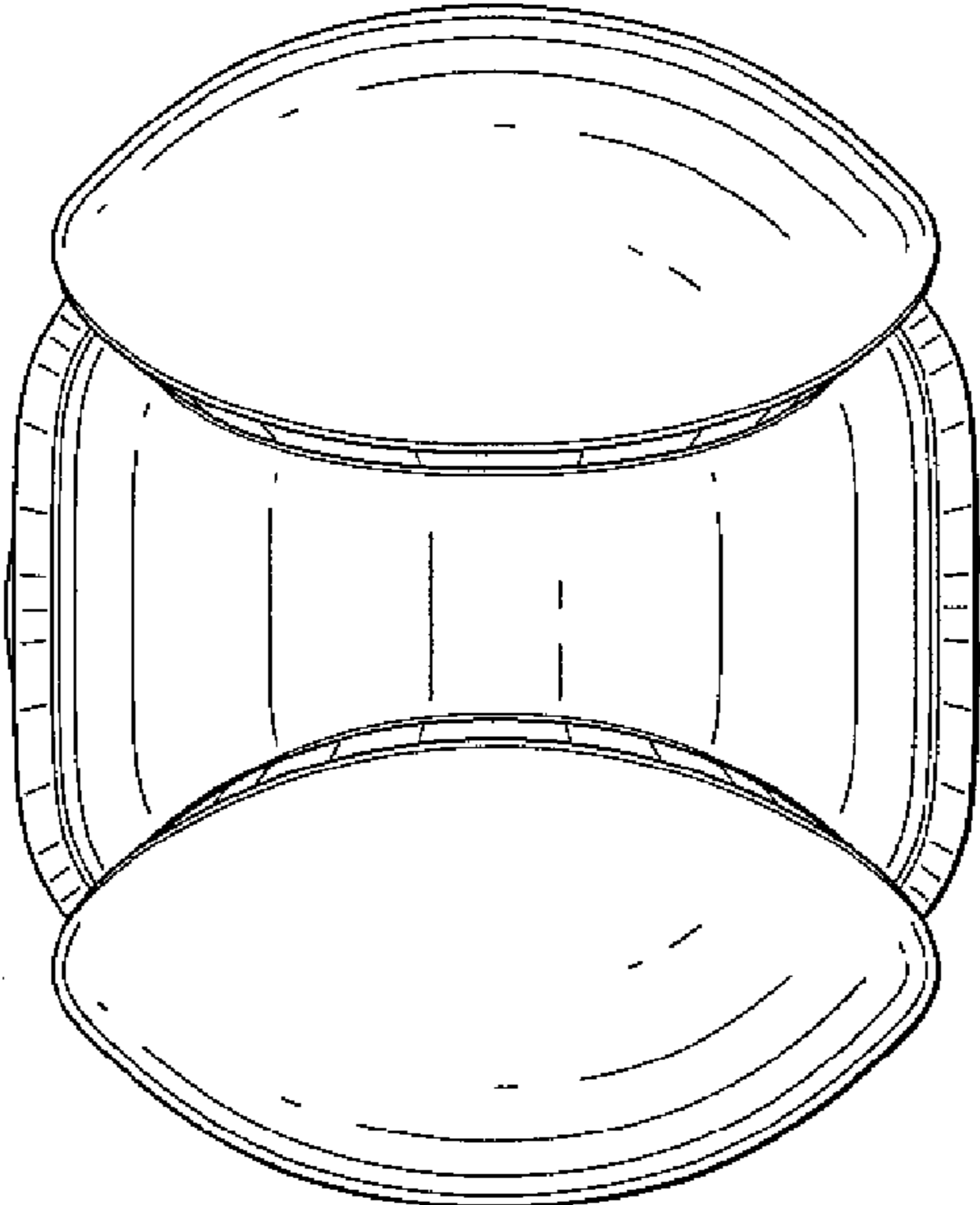


FIG. 2

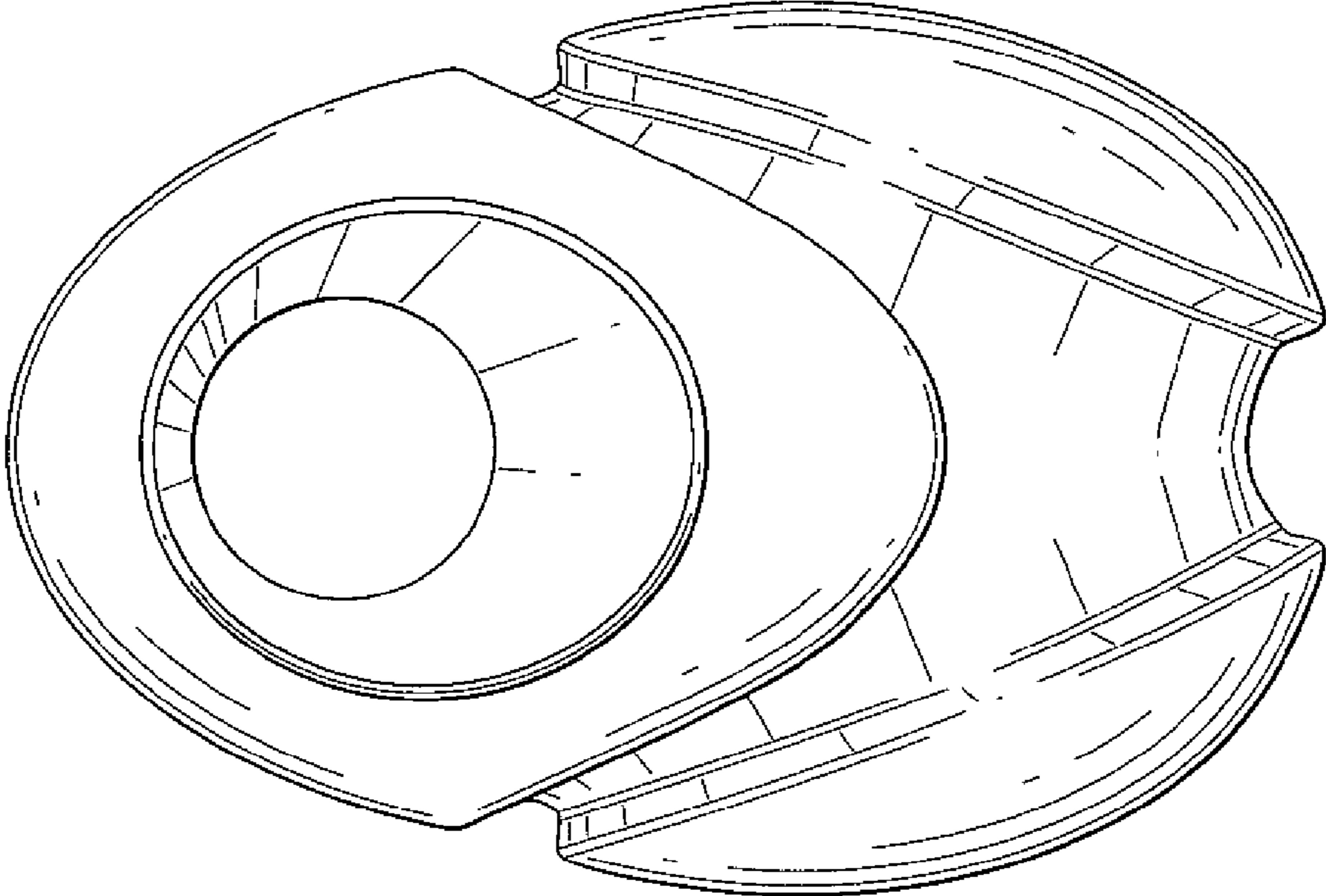


FIG. 3

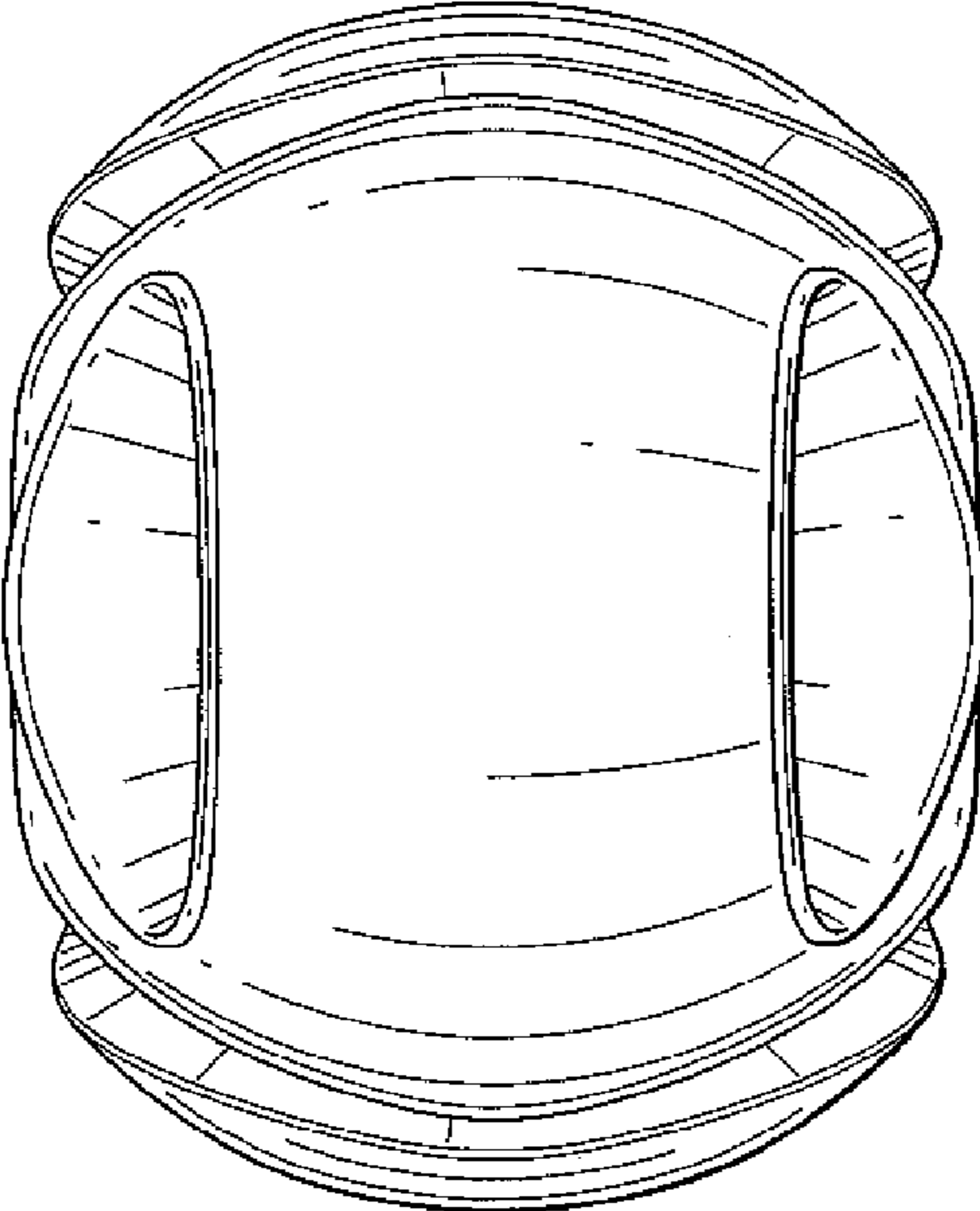


FIG. 4

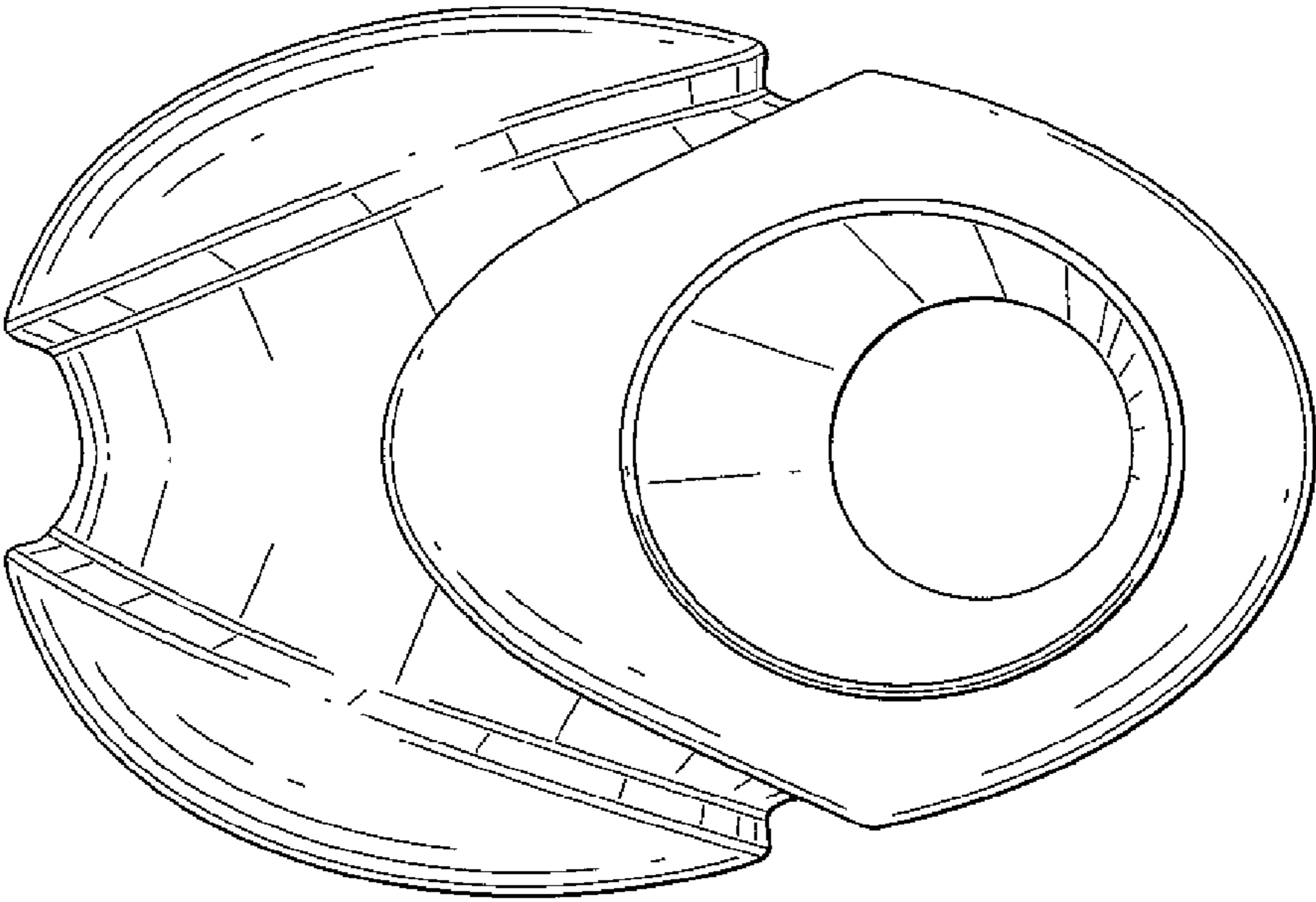


FIG. 5

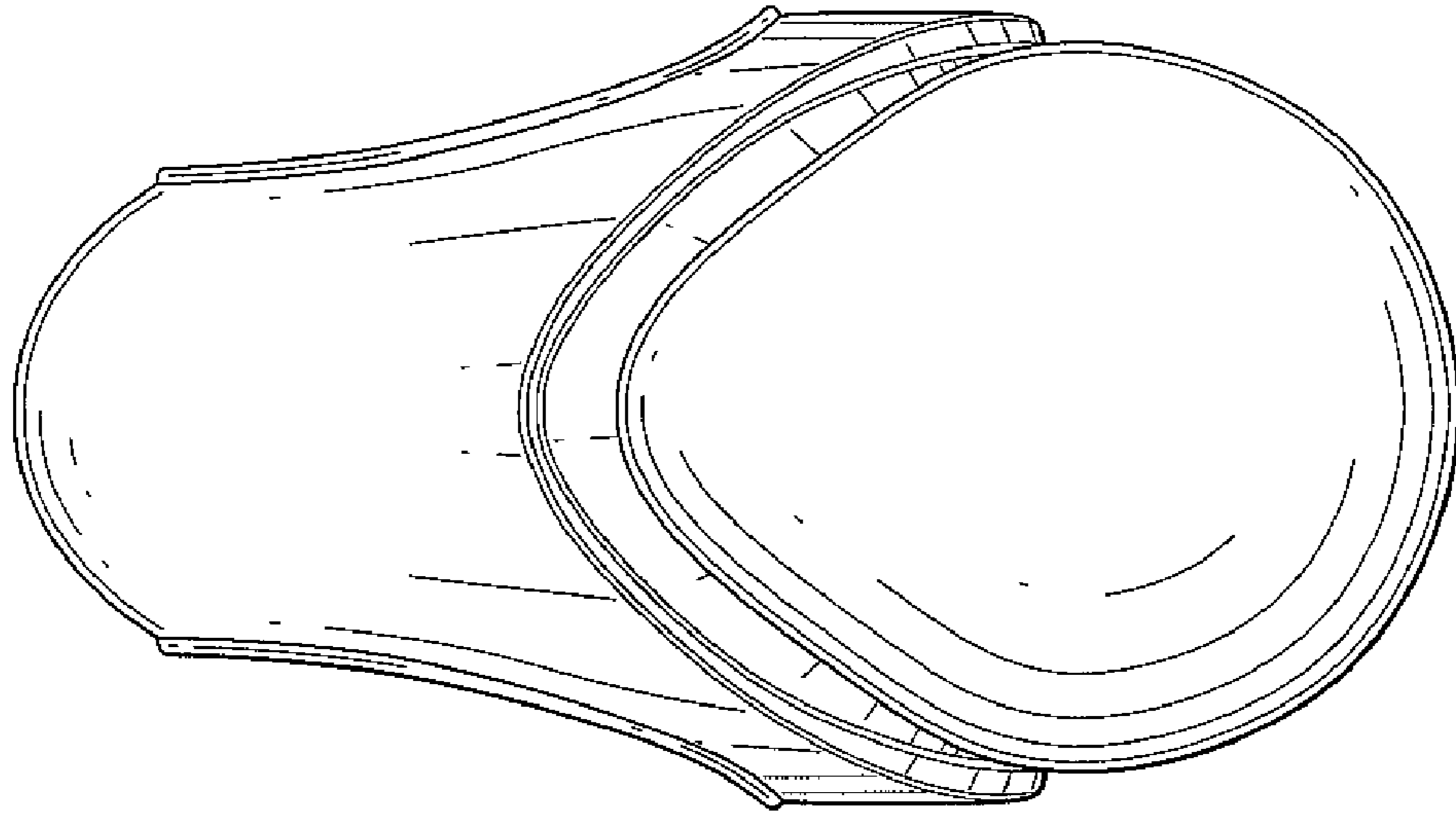


FIG. 6

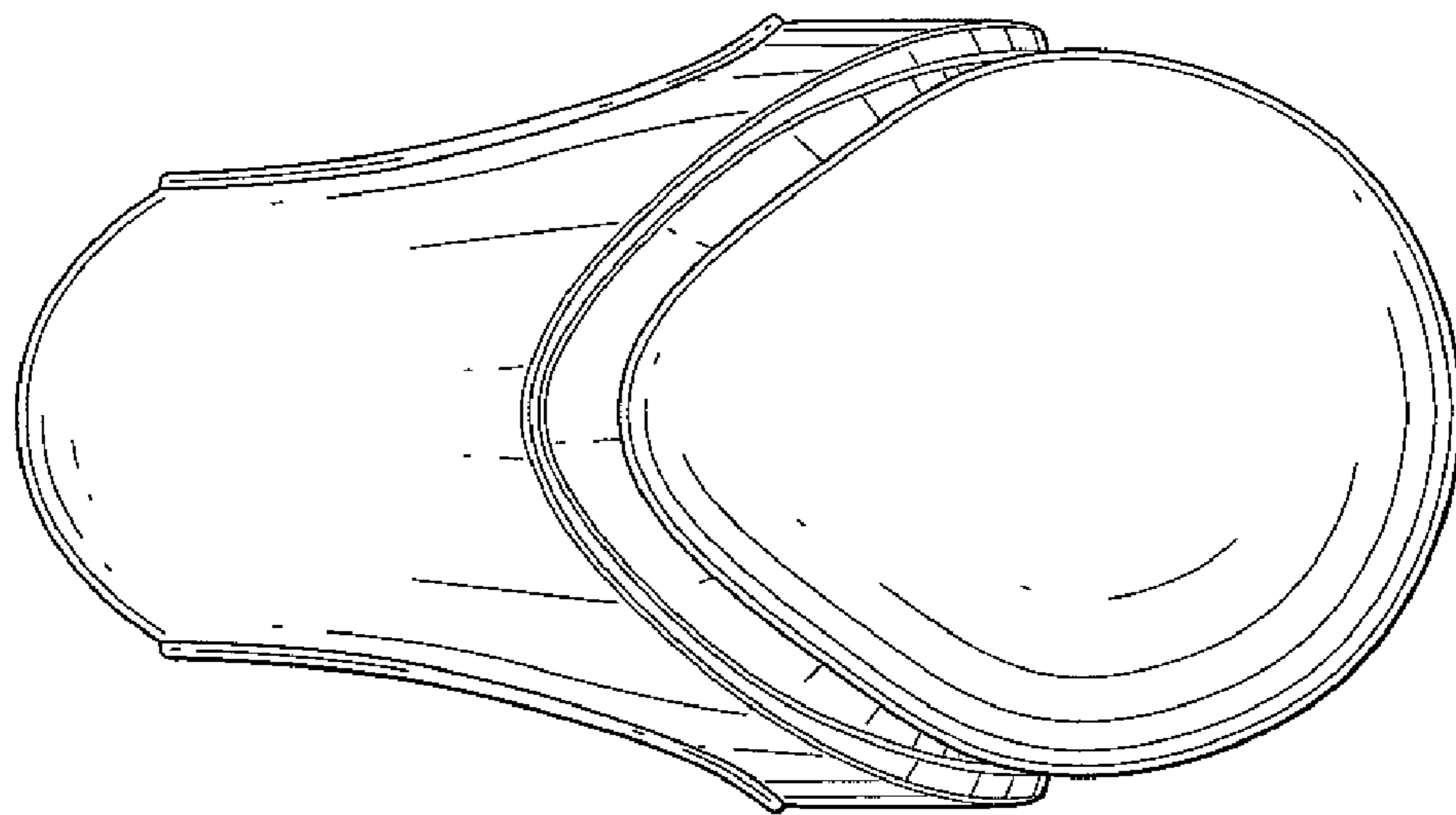


FIG. 7