



US00D613901S

(12) **United States Design Patent**
Silver

(10) **Patent No.:** **US D613,901 S**

(45) **Date of Patent:** **** Apr. 13, 2010**

(54) **LIGHT FIXTURE**

(75) Inventor: **Remy Silver**, Toronto (CA)

(73) Assignee: **Beta-Calco Inc.**, Ontario (CA)

(**) Term: **14 Years**

(21) Appl. No.: **29/333,629**

(22) Filed: **Mar. 12, 2009**

(30) **Foreign Application Priority Data**

Nov. 26, 2008 (CA) 128694

(51) **LOC (9) Cl.** **26-99**

(52) **U.S. Cl.** **D26/152**

(58) **Field of Classification Search** D26/109,
D26/65, 141, 63, 123, 142, 118, 76, 85, 60,
D26/61, 62, 64, 66, 72, 93, 103, 113, 119,
D26/122, 124, 87, 128, 129, 138, 140, 145,
D26/149, 152, 155, 74; D13/134; 362/511,
362/373, 606, 607, 277, 282, 285, 287, 410
See application file for complete search history.

(56) **References Cited**

U.S. PATENT DOCUMENTS

D364,242 S * 11/1995 Fiorato D26/85

D421,505 S * 3/2000 Hastings et al. D26/76
D430,326 S * 8/2000 Littman D26/85
D445,214 S * 7/2001 Lewis D26/113
D564,131 S * 3/2008 Morgan D26/152
D570,533 S * 6/2008 Morgan D26/138

* cited by examiner

Primary Examiner—Cathron C Brooks

Assistant Examiner—Kevin K Rudzinski

(74) *Attorney, Agent, or Firm*—Renner, Otto, Boisselle & Sklar, LLP

(57) **CLAIM**

The ornamental design for a light fixture, as shown and described.

DESCRIPTION

FIG. 1 is a perspective view of the light fixture according to my new design.

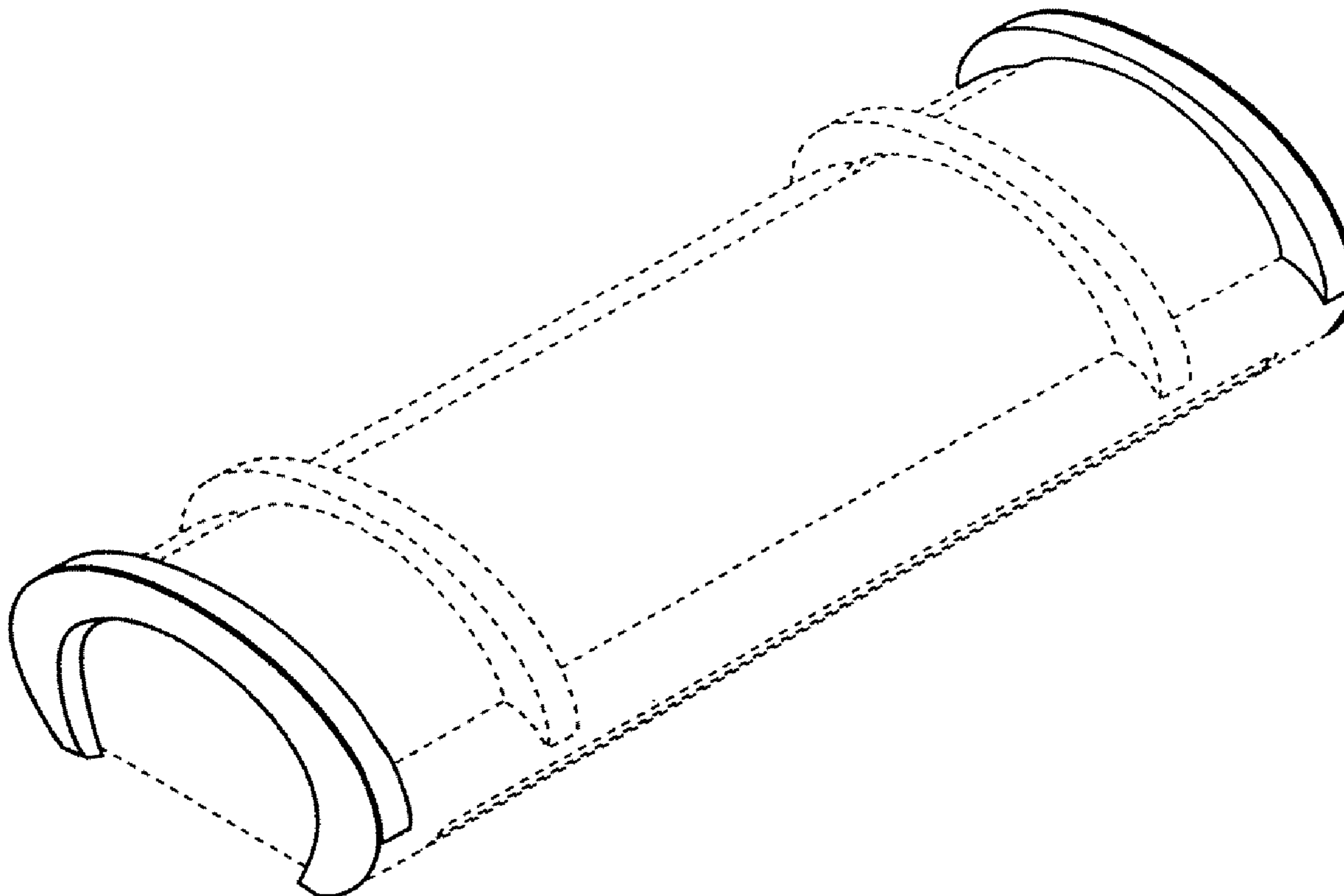
FIG. 2 is a front view of the light fixture shown in FIG. 1.

FIG. 3 is a side view of the light fixture shown in FIG. 1; and,

FIG. 4 is a bottom view of the light fixture shown in FIG. 1.

The broken lines shown are included for the purpose of illustrating unclaimed portions of the light fixture and form no part of the claimed design.

1 Claim, 2 Drawing Sheets



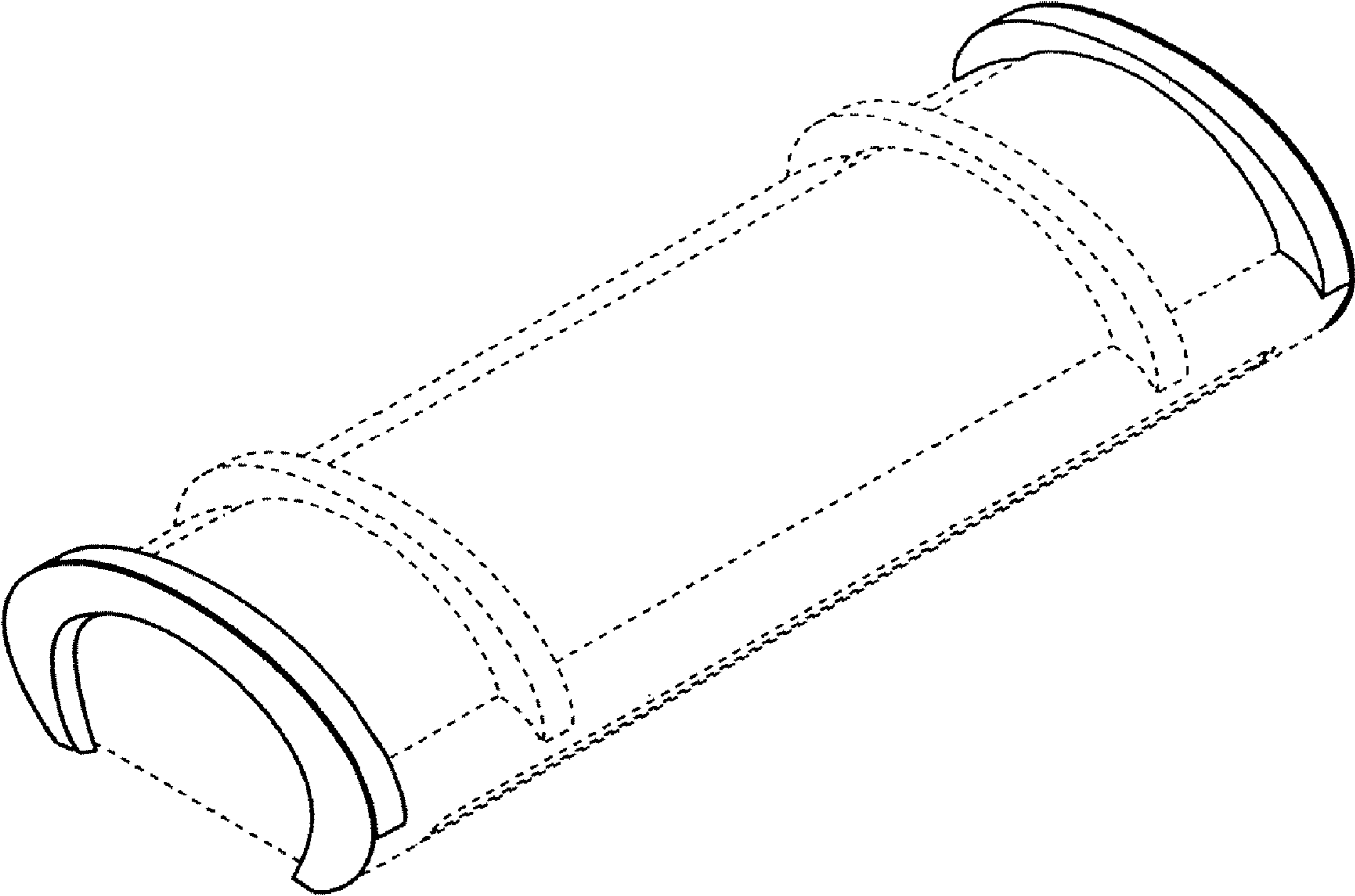


FIG. 1

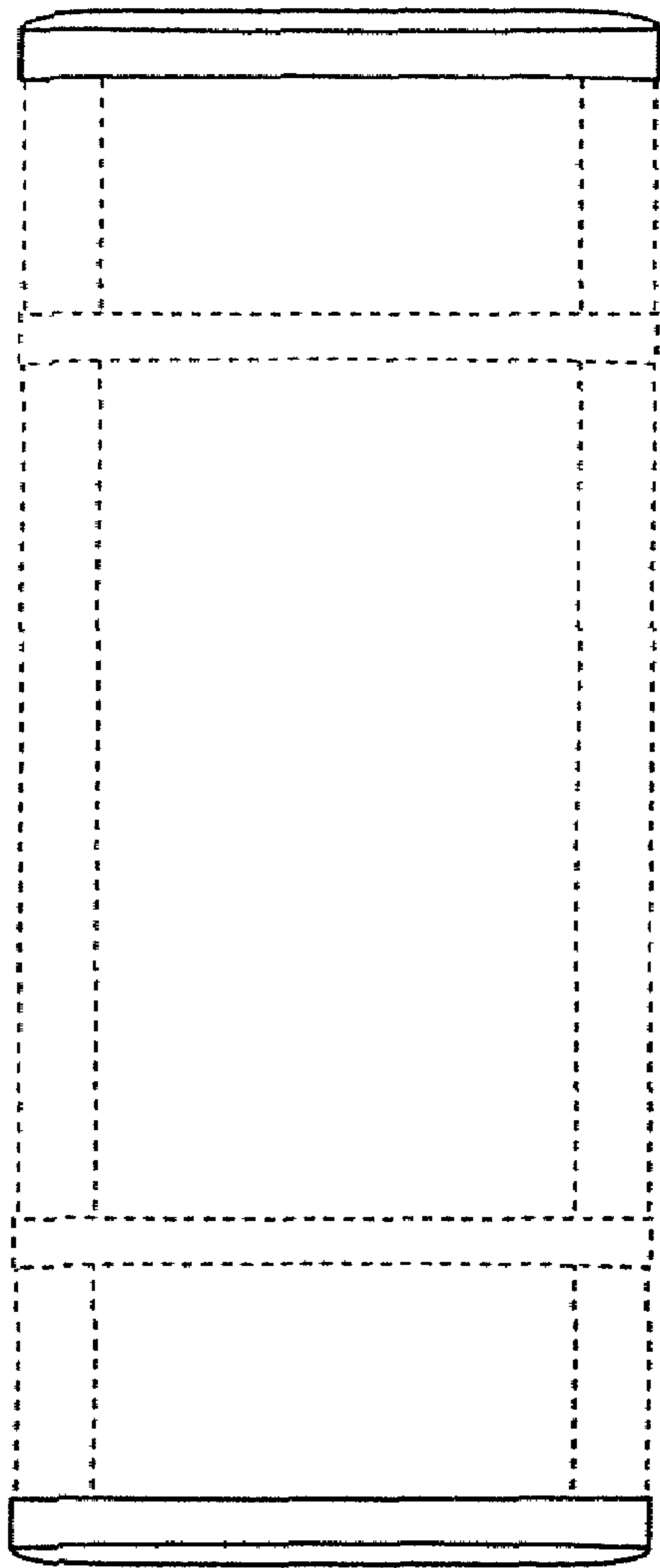


FIG. 2

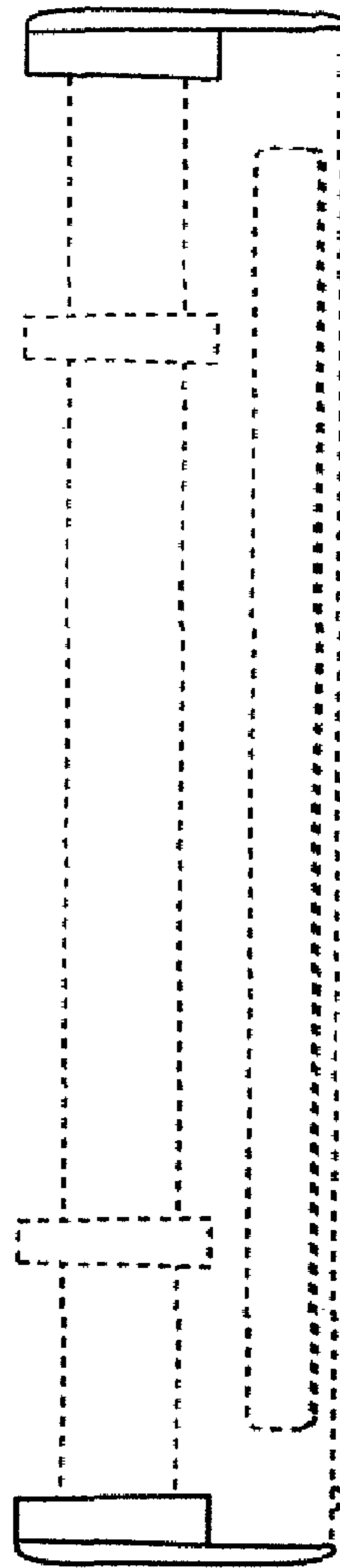


FIG. 3

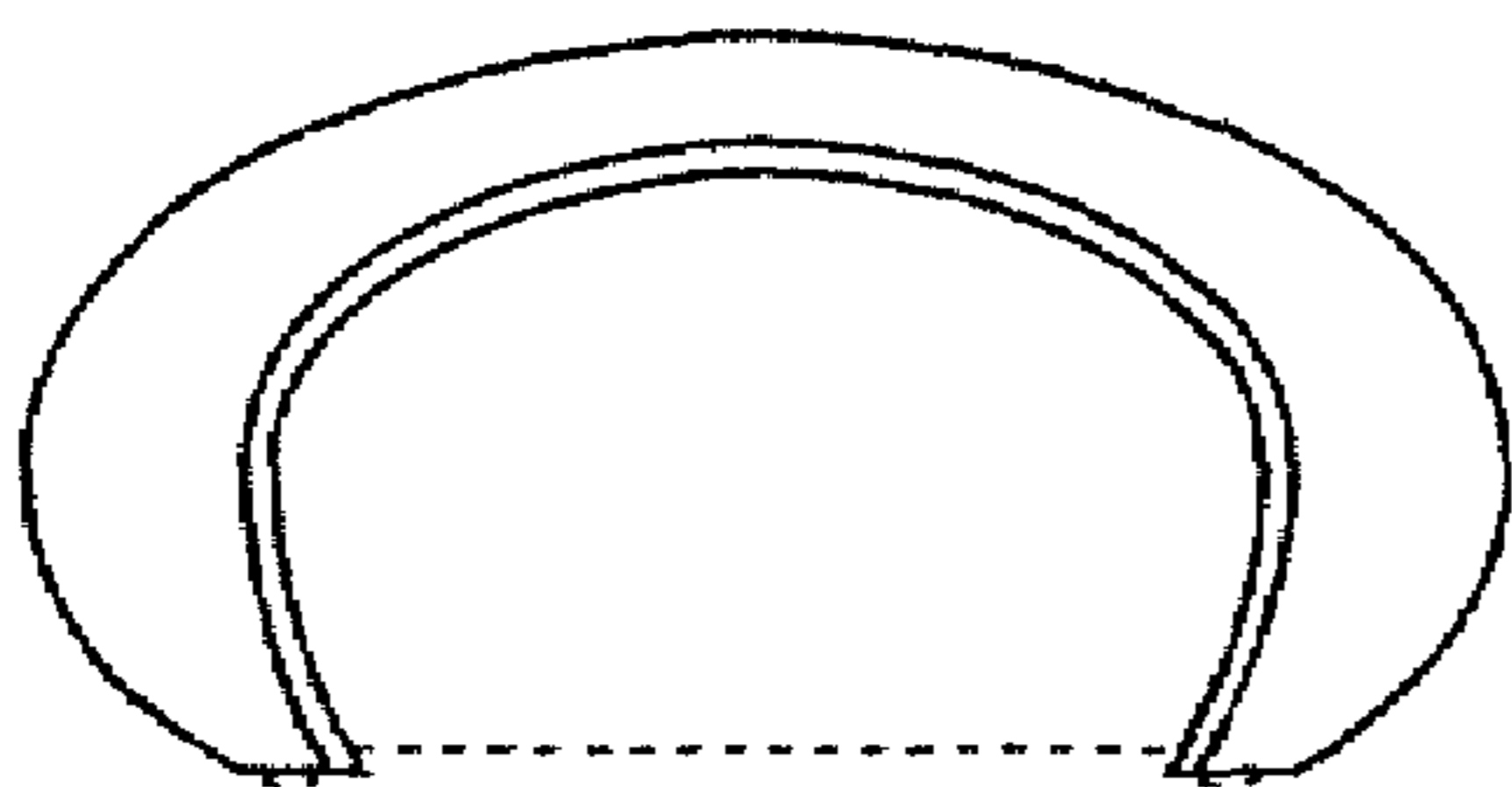


FIG. 4