



US00D613900S

(12) **United States Design Patent**
Hargreaves et al.

(10) **Patent No.:** **US D613,900 S**
(45) **Date of Patent:** **** Apr. 13, 2010**

(54) **HORTICULTURE LIGHT SOCKET ASSEMBLY**

(75) Inventors: **Craig Hargreaves**, Vancouver, WA (US); **Darrin McDonald**, Vancouver, WA (US)

(73) Assignee: **IP Holdings LLC**, Vancouver, MA (US)

(**) Term: **14 Years**

(21) Appl. No.: **29/314,928**

(22) Filed: **May 11, 2009**

(51) **LOC (9) Cl.** **26-99**

(52) **U.S. Cl.** **D26/145**

(58) **Field of Classification Search** D26/109,
D26/65, 141, 63, 123, 142, 118, 76, 85, 60,
D26/61, 62, 64, 66, 72, 93, 103, 113, 119,
D26/122, 124, 87, 128, 129, 138, 140, 145,
D26/155, 74; D13/134; 362/511, 373, 606,
362/607, 277, 282, 285, 287, 410

See application file for complete search history.

(56) **References Cited**

U.S. PATENT DOCUMENTS

D118,311 S *	12/1939	Poor	D26/145
D151,314 S *	10/1948	Adams et al.	D13/134
D240,015 S	5/1976	Buckley	D8/371
D313,338 S	1/1991	Rasmussen	D8/356
5,362,246 A *	11/1994	Lau	439/231
D360,571 S	7/1995	Perry	D8/354
5,585,688 A *	12/1996	DeKleine	313/318.01
D380,731 S *	7/1997	Schadhauser	D13/134
D399,862 S *	10/1998	Baliozian	D16/219
6,402,346 B1 *	6/2002	Liao et al.	362/294
6,595,662 B2 *	7/2003	Wardenburg	362/362

D479,624 S *	9/2003	Svendsen et al.	D26/155
D481,490 S *	10/2003	Fickas et al.	D26/155
D544,984 S *	6/2007	Hargreaves	D26/76
7,287,880 B2 *	10/2007	Beaumont	362/345
2008/0117617 A1 *	5/2008	Hargreaves et al.	362/1
2009/0116250 A1 *	5/2009	Hargreaves et al.	362/373

OTHER PUBLICATIONS

U.S. Appl. No. 29/273,382, Craig Hargreaves.

* cited by examiner

Primary Examiner—Cathron C Brooks

Assistant Examiner—Kevin K. Rudzinski

(74) *Attorney, Agent, or Firm*—Robert J. Ireland

(57) **CLAIM**

The ornamental design for a horticulture light socket assembly, as shown and described.

DESCRIPTION

FIG. 1. Is a right side perspective view of the horticulture light socket assembly showing my new design;

FIG. 2. Is a front elevation view thereof;

FIG. 3. Is back elevation thereof;

FIG. 4. Is a left elevation view thereof.

FIG. 5. Is a right side elevation view thereof;

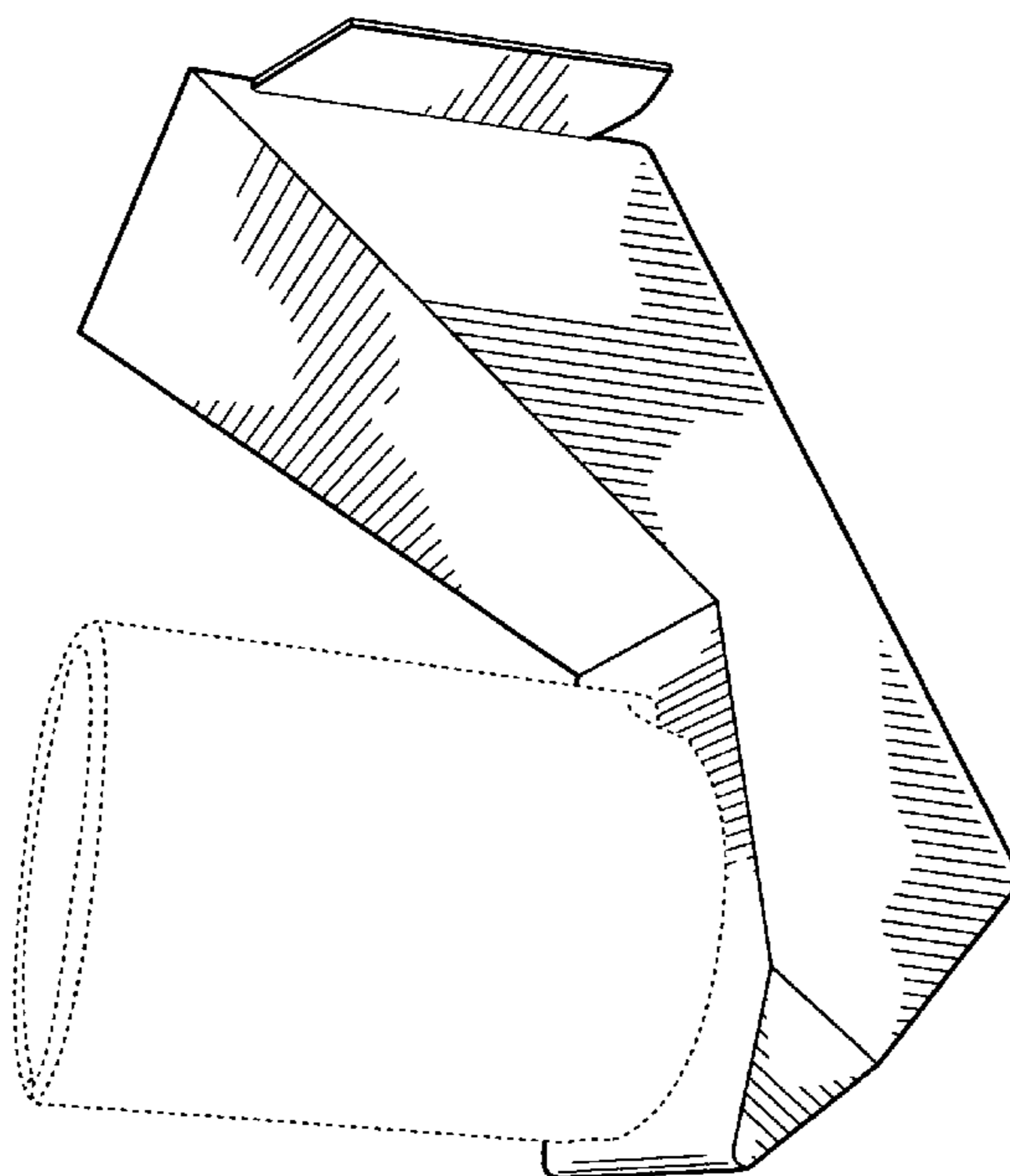
FIG. 6. Is a top plan view thereof; and,

FIG. 7. Is a bottom view thereof.

The broken line showing of the socket is included for the purpose of illustrating environmental structure and forms no part of the claimed design.

The novel feature is the eight sided profile with the angles and fractional proportions shown in FIG. 1–7.

1 Claim, 7 Drawing Sheets



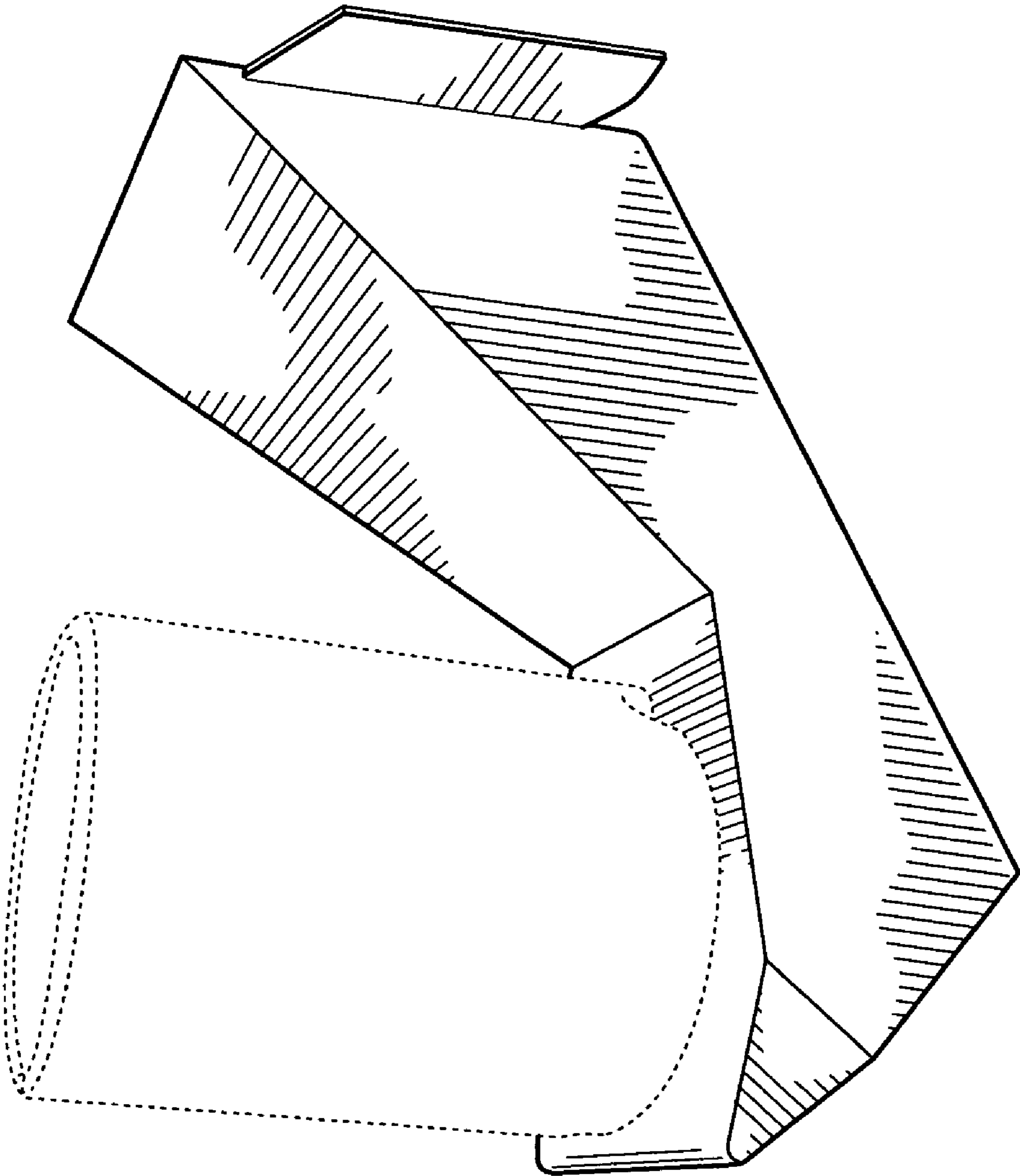


FIG. 1

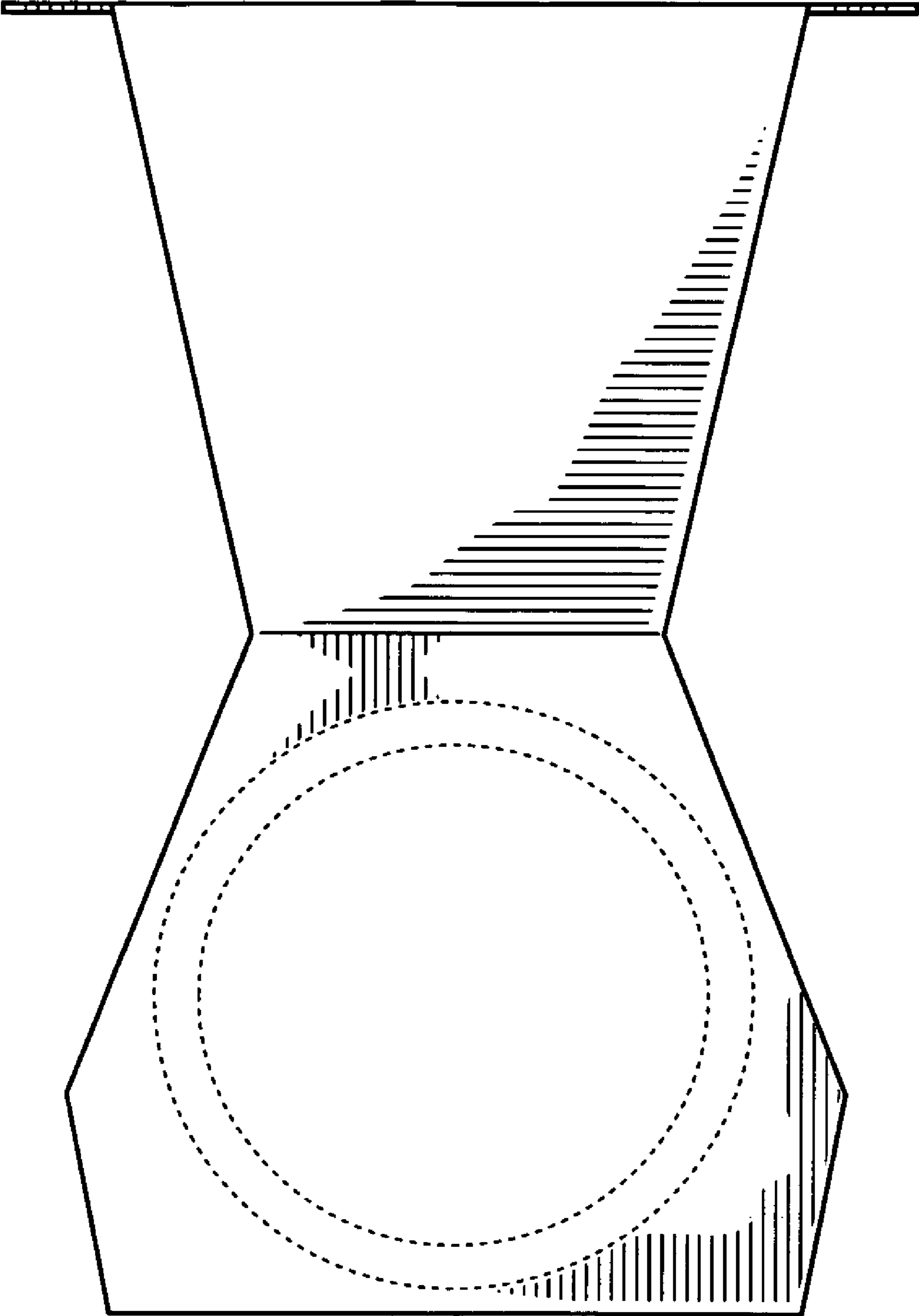


FIG. 2

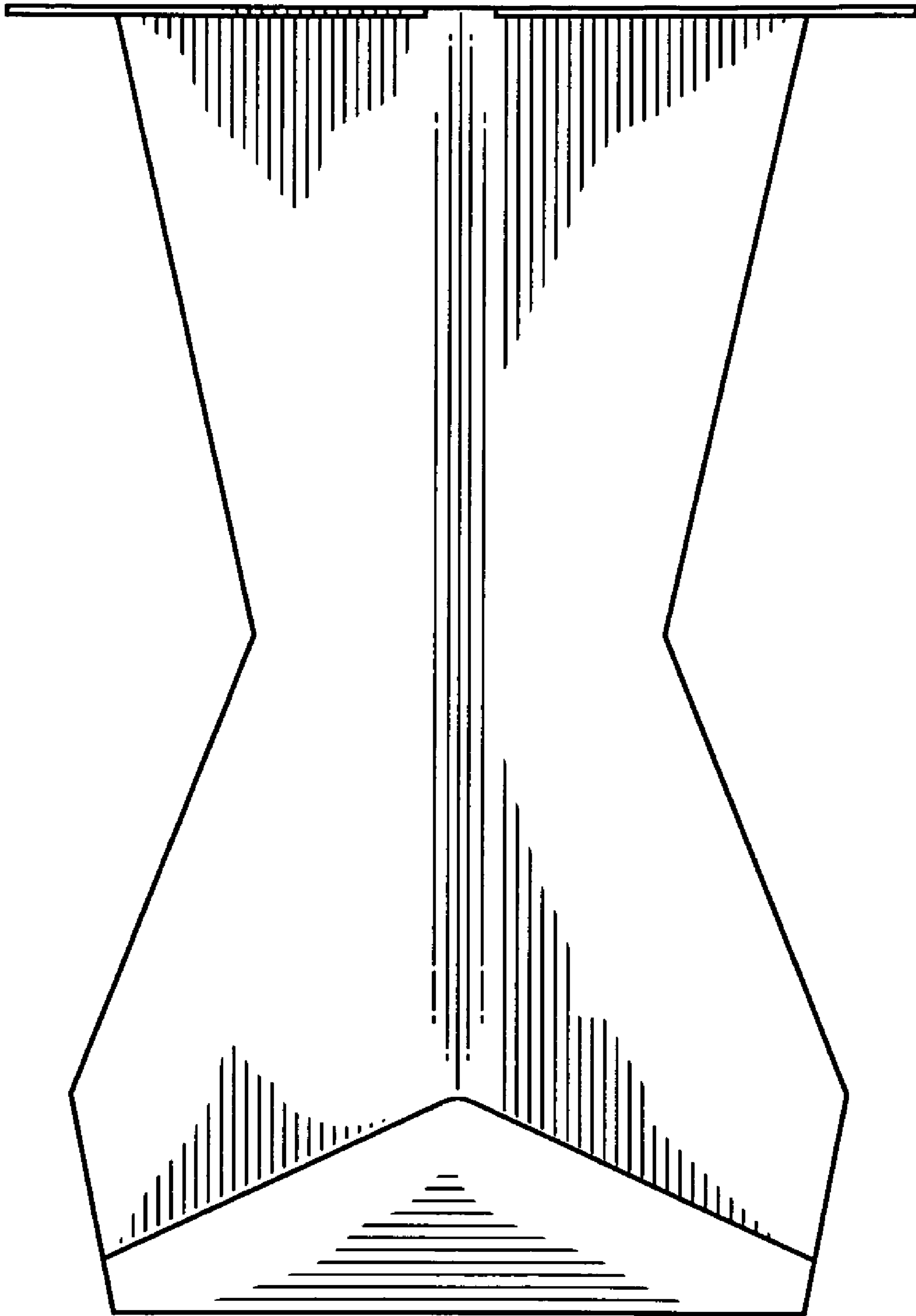


FIG. 3

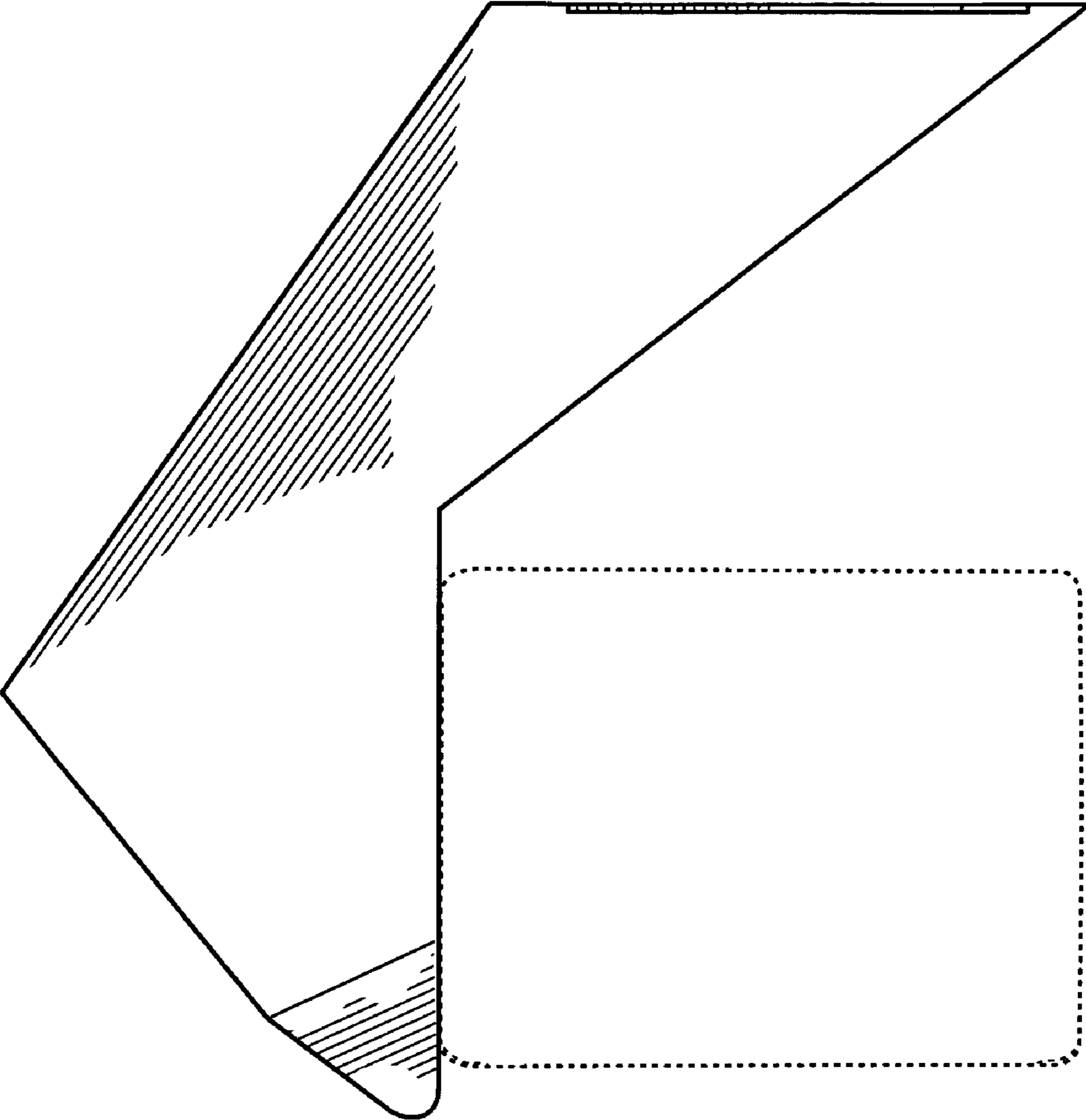


FIG. 4

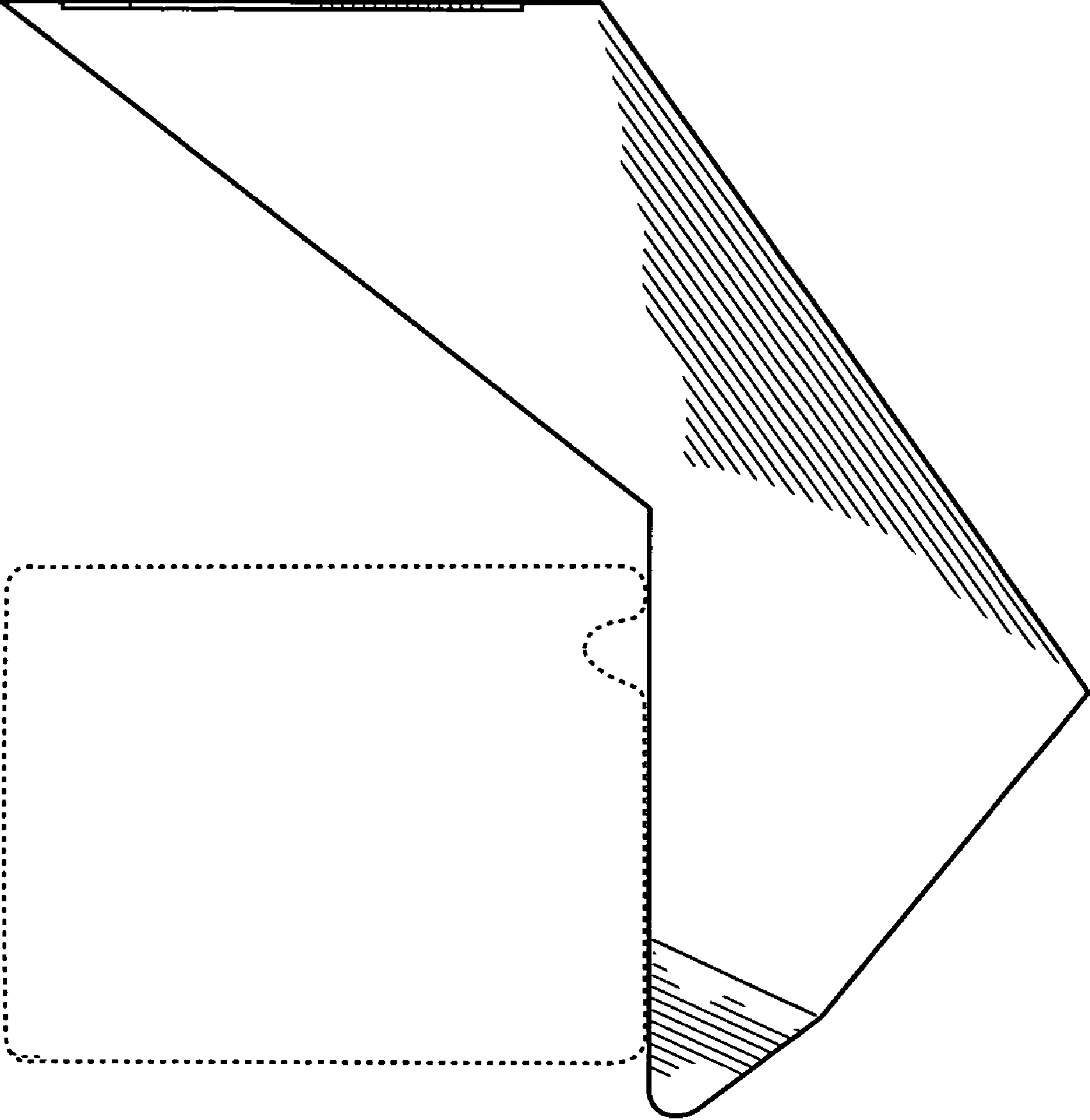


FIG. 5

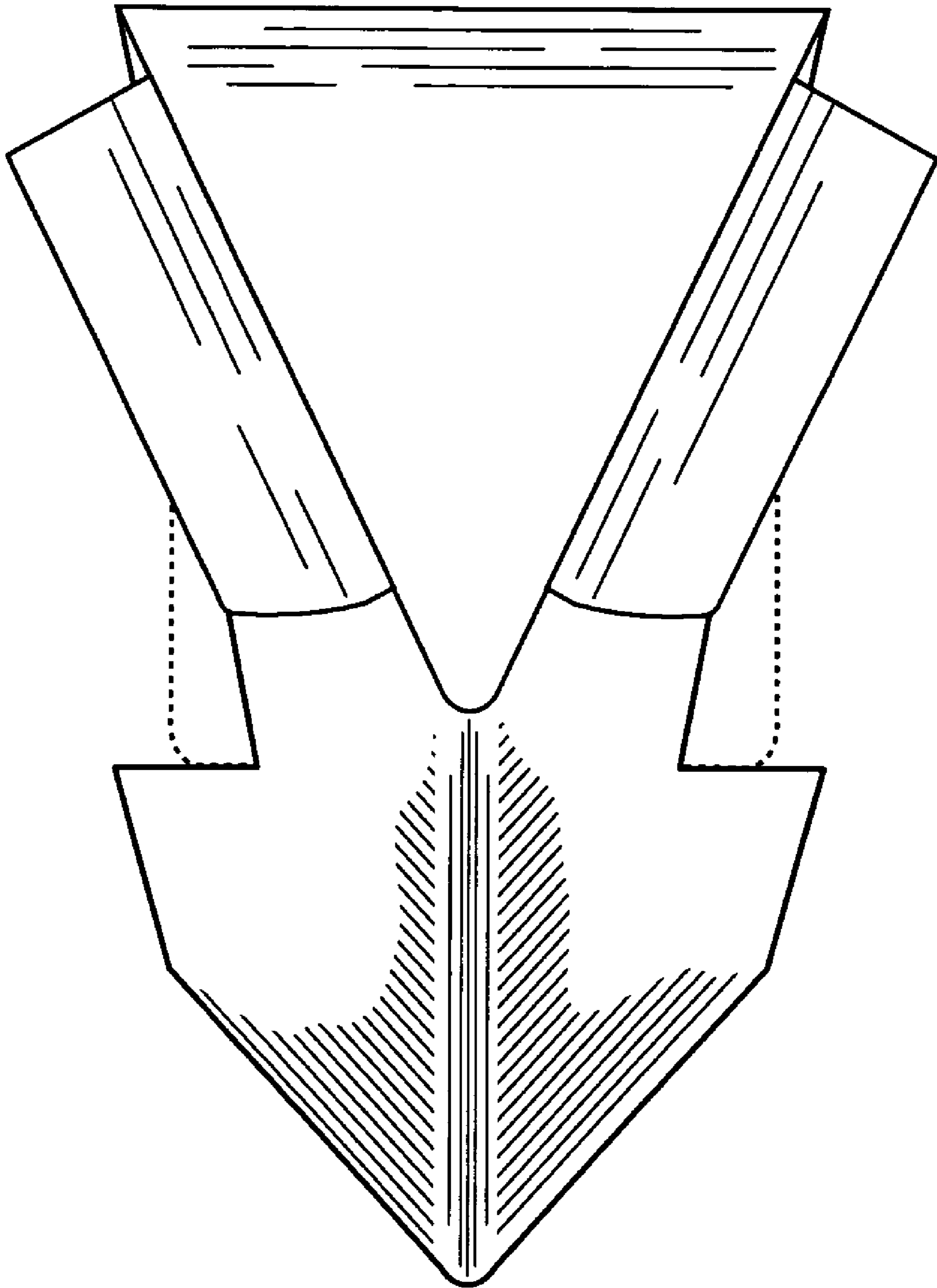


FIG. 6

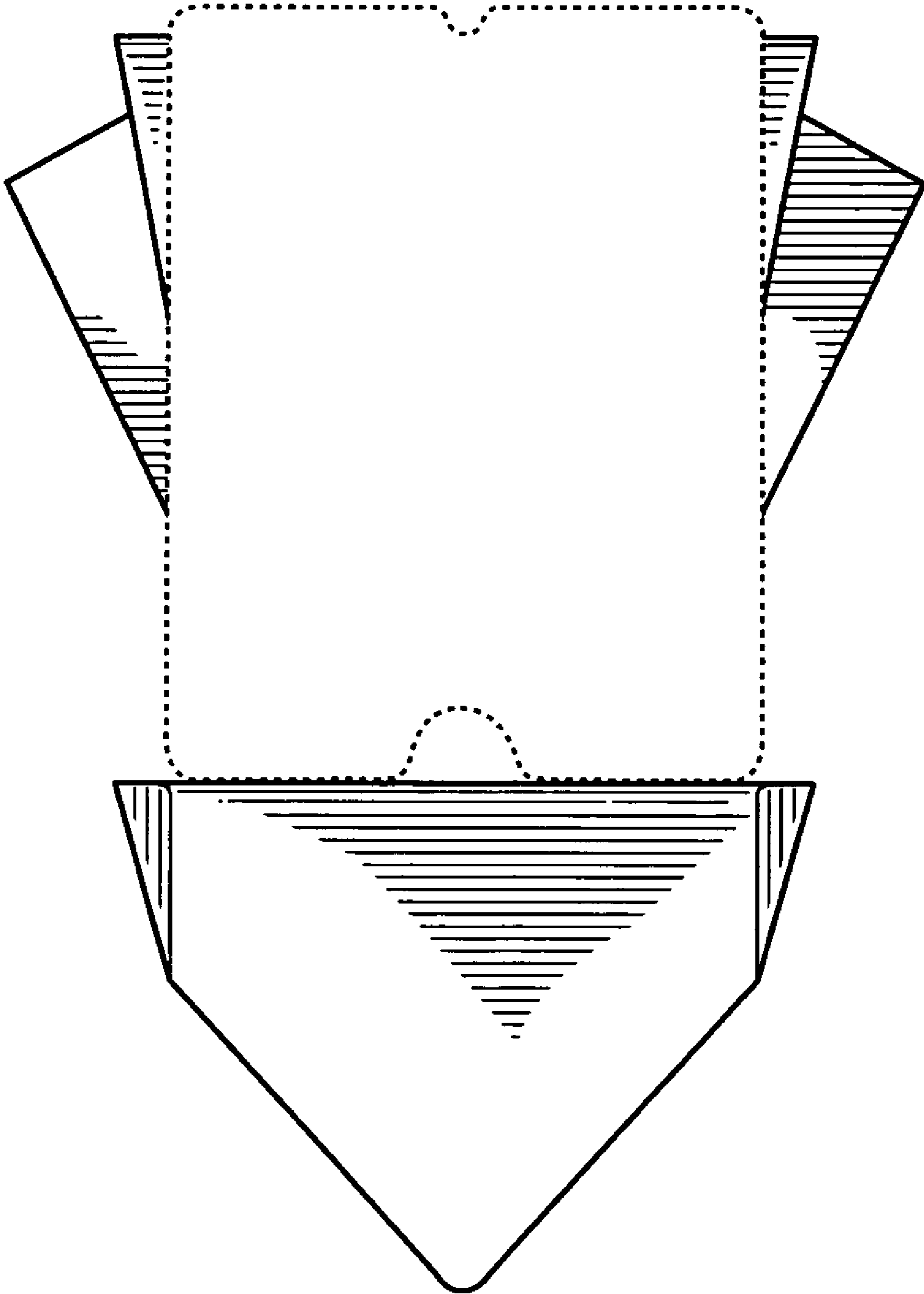


FIG. 7