



US00D613898S

(12) **United States Design Patent**
Michaels et al.

(10) **Patent No.:** **US D613,898 S**
(45) **Date of Patent:** **** Apr. 13, 2010**

- (54) **DECORATIVE CANDLE HOLDER**
- (75) Inventors: **Kenneth W. Michaels**, Spring Grove, IL (US); **Jonathan N. Mandell**, Gurnee, IL (US); **Paul E. Furner**, Racine, WI (US); **Elie Papiernik**, Paris (FR)
- (73) Assignee: **S.C. Johnson & Son, Inc.**, Racine, WI (US)

- 7,201,500 B2 4/2007 Mishan
- D547,469 S 7/2007 Flores
- 7,360,930 B2 4/2008 Yu
- 7,360,935 B2 4/2008 Jensen et al.
- D575,884 S 8/2008 Adams et al.
- D576,319 S 9/2008 Binetti et al.
- D576,752 S * 9/2008 Kubicek et al. D26/20

(**) Term: **14 Years**

(21) Appl. No.: **29/314,312**

(22) Filed: **Mar. 20, 2009**

- (51) **LOC (9) Cl.** **23-03**
- (52) **U.S. Cl.** **D26/96**
- (58) **Field of Classification Search** D26/1,
D26/9, 20, 24, 67, 93-94, 101, 104-110,
D26/113, 118; 362/3, 153, 186, 217, 255,
362/257, 277, 317, 351, 353, 362, 363, 382,
362/431, 433, 458, 806

See application file for complete search history.

(56) **References Cited**

U.S. PATENT DOCUMENTS

- 2,709,907 A 6/1955 Robertson et al.
- 2,750,775 A 6/1956 Robertson et al.
- 3,855,464 A 12/1974 Angelo
- D414,570 S 9/1999 Shin et al.
- D439,684 S 3/2001 Freeman et al.
- 6,241,362 B1 6/2001 Morrison
- D447,256 S 8/2001 Ratia
- D468,044 S * 12/2002 Lam D26/104
- D468,847 S 1/2003 Lee
- 6,575,613 B2 6/2003 Brown et al.
- D490,547 S 5/2004 Clarkson
- D497,441 S 10/2004 Therrien et al.
- D506,275 S 6/2005 Bernardo et al.
- 7,011,425 B2 3/2006 Micele, Jr. et al.
- D533,952 S * 12/2006 Adams et al. D26/9
- D534,283 S * 12/2006 Adams et al. D26/9
- D537,753 S 3/2007 Belokin
- D538,450 S * 3/2007 Adams et al. D26/9

(Continued)

Primary Examiner—Brian N Vinson

(57) **CLAIM**

The ornamental design for a decorative candle holder, as shown and described herein.

DESCRIPTION

FIG. 1 is an isometric view of a top, front, and sides of an ornamental design for a decorative candle holder;

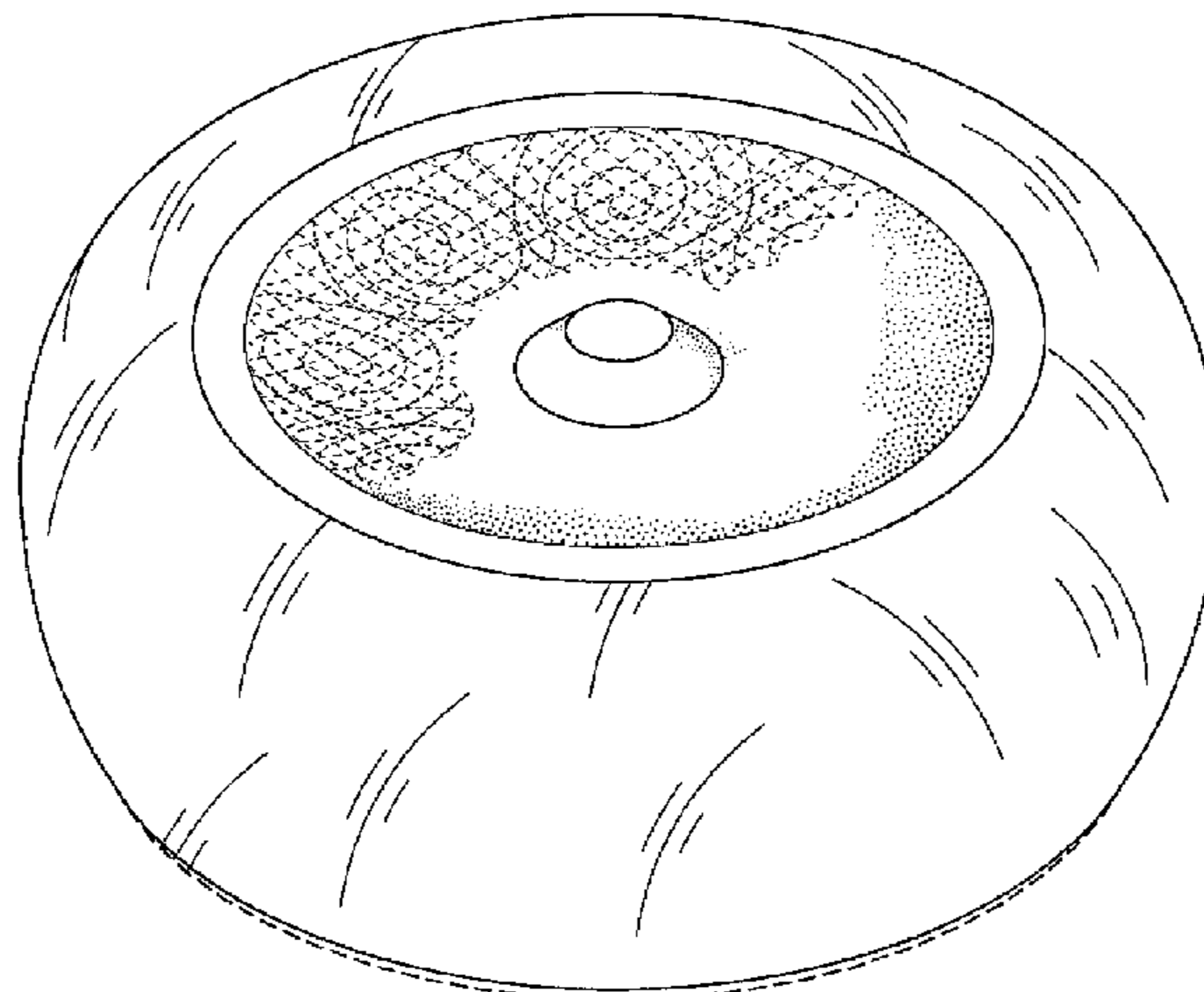
FIG. 2 is plan view of the decorative candleholder shown in FIG. 1;

FIG. 3 is an elevational view of a side of the decorative candle holder of FIG. 1, the rear side, left side, and right side elevational views being substantially identical thereto; and,

FIG. 4 is a bottom elevational view of the decorative candle holder of FIG. 1.

All features shown in dashed lines are for context only and do not form part of the claimed design. The broken-line pattern in the form of an annular cross-hatch and a radial swirl pattern shown in FIGS. 1 and 2 comprise surface indicia and are shown merely for environmental context and do not form part of the claimed design. Further, a base portion of the candle holder is shown merely for environmental purposes and does not form part of the claimed design.

1 Claim, 3 Drawing Sheets



US D613,898 S

Page 2

U.S. PATENT DOCUMENTS

D577,458 S *	9/2008	Chan et al.	D26/104	2006/0172239 A1	8/2006	Tsai
D579,588 S	10/2008	Adams et al.		2006/0176703 A1	8/2006	Cayton et al.
7,503,668 B2	3/2009	Porchia et al.		2007/0020572 A1	1/2007	Furner et al.
D604,887 S *	11/2009	Sanoner	D26/93	2007/0292812 A1	12/2007	Furner et al.
D605,337 S *	12/2009	Zhang et al.	D26/93	2008/0129226 A1	6/2008	DeWitt et al.
D607,140 S *	12/2009	Farris et al.	D26/105	2008/0151571 A1	6/2008	Chen
2005/0068777 A1	3/2005	Popovich		2008/0198595 A1	8/2008	Lai

* cited by examiner

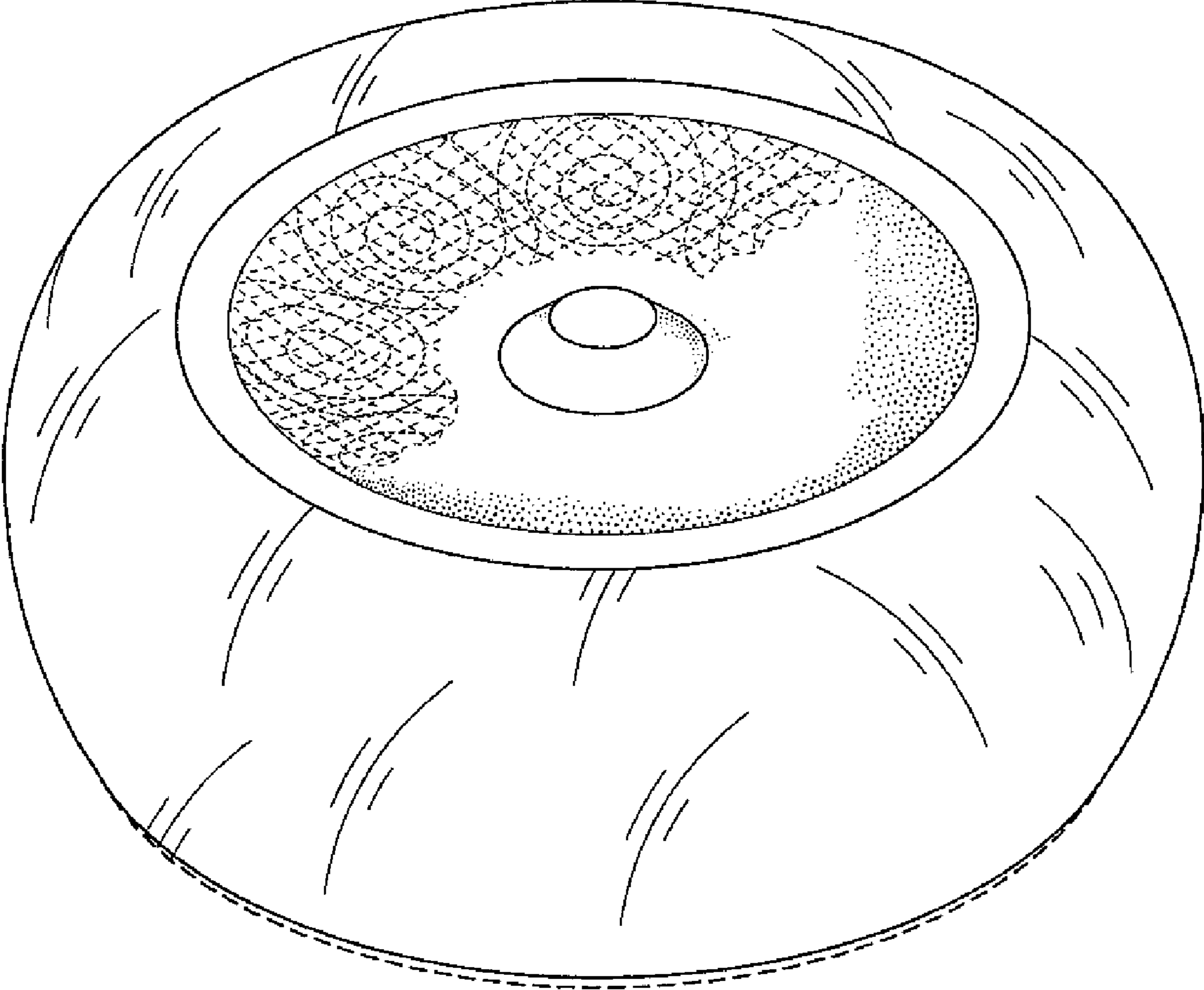


FIG. 1

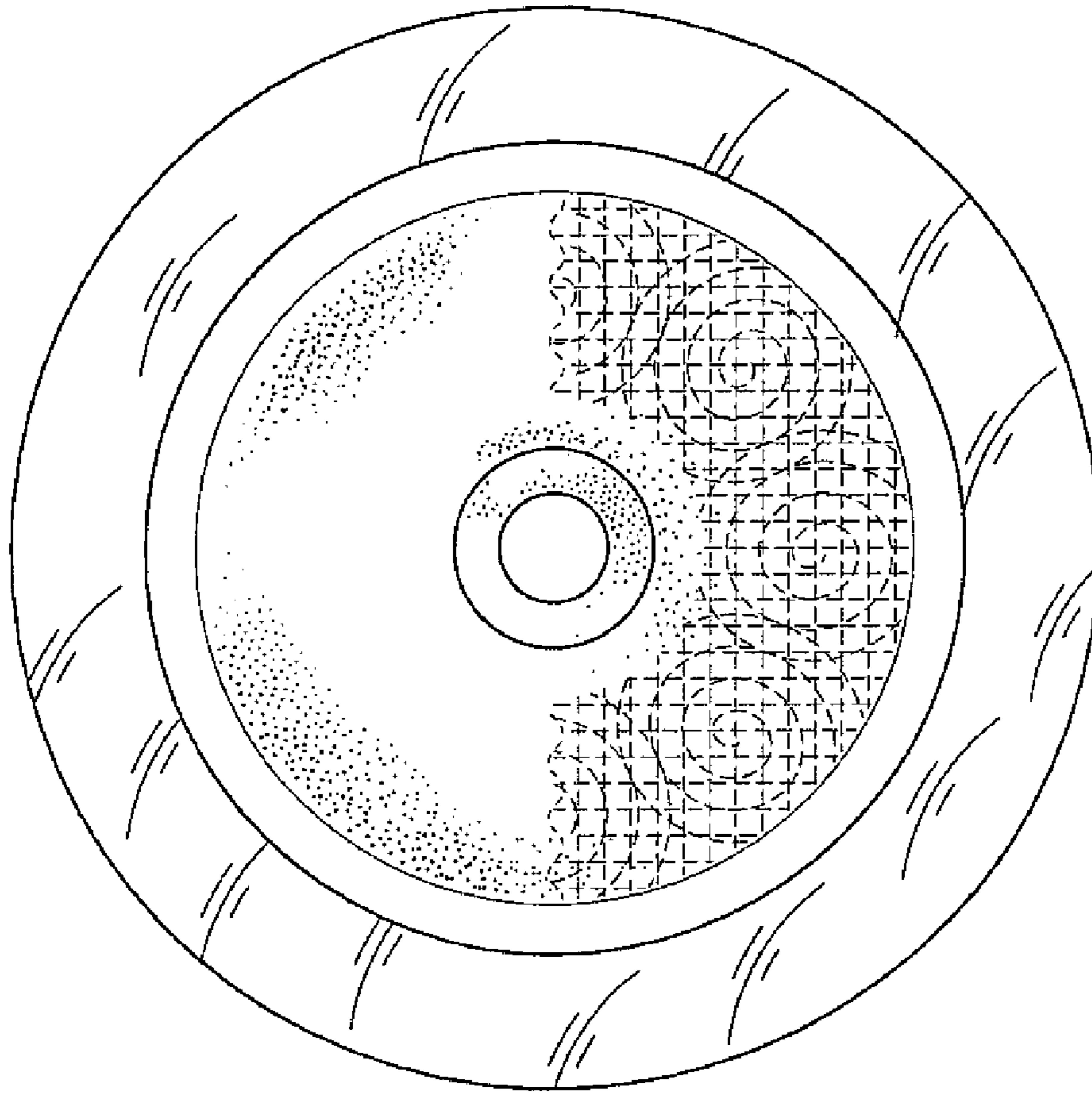


FIG. 2

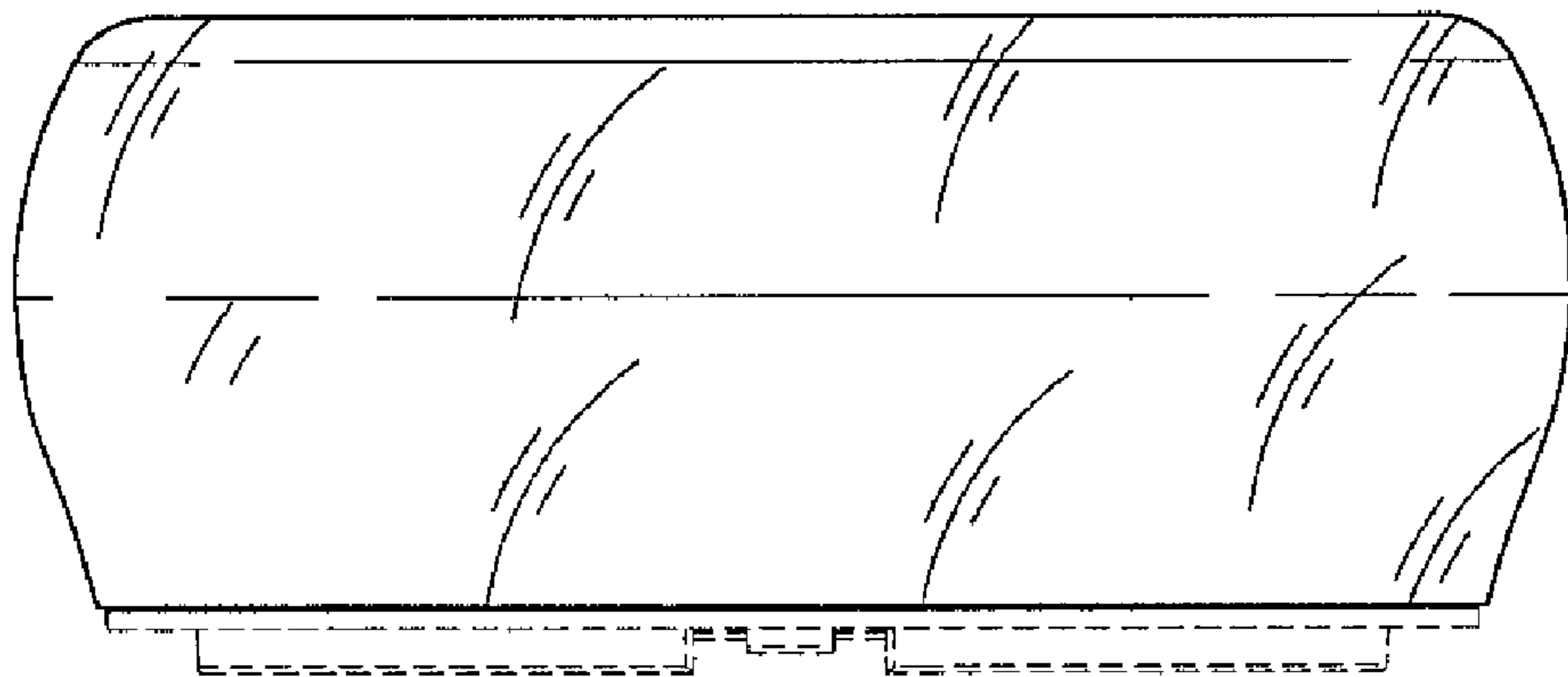


FIG. 3

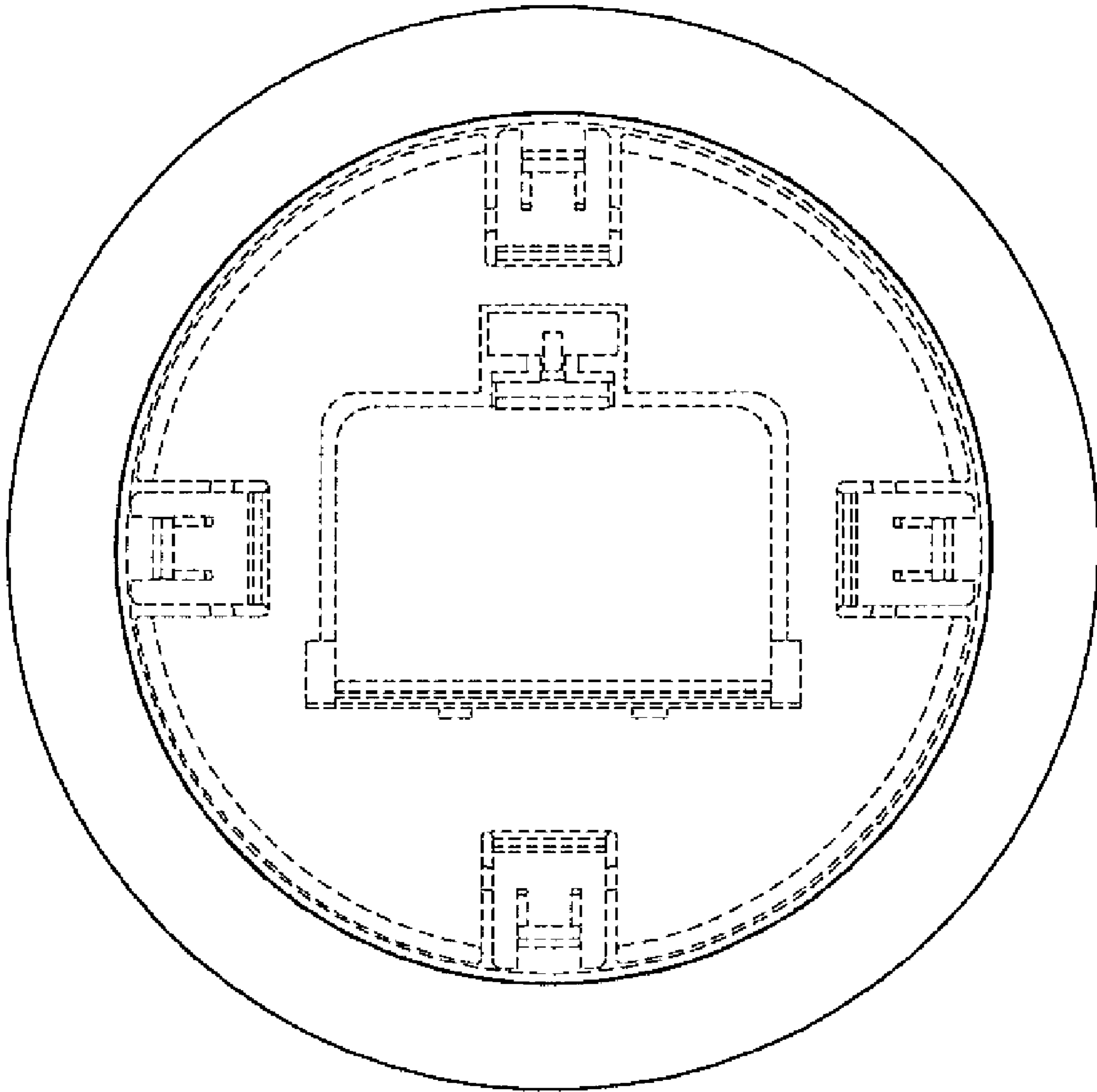


FIG. 4