



US00D613897S

(12) **United States Design Patent**
Thun

(10) **Patent No.:** **US D613,897 S**
(45) **Date of Patent:** **** Apr. 13, 2010**

(54) **LIGHT**

(75) Inventor: **Matteo Thun**, Milan (IT)

(73) Assignee: **Zumtobel Lighting GmbH & Co. KG**,
Lemgo (DE)

(**) Term: **14 Years**

(21) Appl. No.: **29/338,403**

(22) Filed: **Jun. 10, 2009**

Related U.S. Application Data

(62) Division of application No. 29/320,933, filed on Jul. 8,
2008, now Pat. No. Des. 604,001.

(30) **Foreign Application Priority Data**

Jan. 11, 2008 (EM) 000858196

(51) **LOC (9) Cl.** **26-03**

(52) **U.S. Cl.** **D26/88; D26/76**

(58) **Field of Classification Search** D26/72,
D26/75-78, 80, 63, 87, 92, 81-84, 86, 88-91;
362/133, 147, 217.01, 219, 221-225, 217.02,
362/217.08, 217.09, 217.1, 217.16, 404-408
See application file for complete search history.

(56) **References Cited**

U.S. PATENT DOCUMENTS

D162,744 S *	4/1951	NcCann	D26/78
D164,508 S *	9/1951	McCann	D26/78
D169,999 S *	7/1953	Ainsworth	D26/78
D220,206 S *	3/1971	Hamburger	D26/75
D240,549 S *	7/1976	Eftekhar	D26/78
D295,329 S *	4/1988	Roos et al.	D26/75
D311,781 S *	10/1990	Usher	D26/65
5,140,216 A *	8/1992	Darr	362/223

5,144,545 A *	9/1992	Klitzing	362/223
D352,566 S *	11/1994	Johnson et al.	D26/88
D356,382 S *	3/1995	Jaksich	D26/75
5,848,833 A *	12/1998	Margulies et al.	362/147
D422,738 S *	4/2000	Spitler	D26/86
D443,095 S *	5/2001	McMahon	D26/76
6,632,001 B2 *	10/2003	Chen	362/222
7,172,332 B2 *	2/2007	Mobarak et al.	362/147
D554,793 S *	11/2007	Bobel	D26/76
2002/0191390 A1 *	12/2002	Newhouse et al.	362/147
2003/0031012 A1 *	2/2003	Chen	362/404
2008/0030982 A1 *	2/2008	Warton et al.	362/219

OTHER PUBLICATIONS

Lite Source large pendant model #LS-19685. Found at
Modernlightinguniverse.com on Jun. 12, 2009.*

* cited by examiner

Primary Examiner—Clare E Heflin

(74) *Attorney, Agent, or Firm*—Marshall, Gerstein & Borun
LLP

(57) **CLAIM**

The ornamental design for a light, as shown and described.

DESCRIPTION

FIG. 1 is a bottom view of a light that has the design.

FIG. 2 is a side view of the light, the opposite side view being
a mirror image of this view.

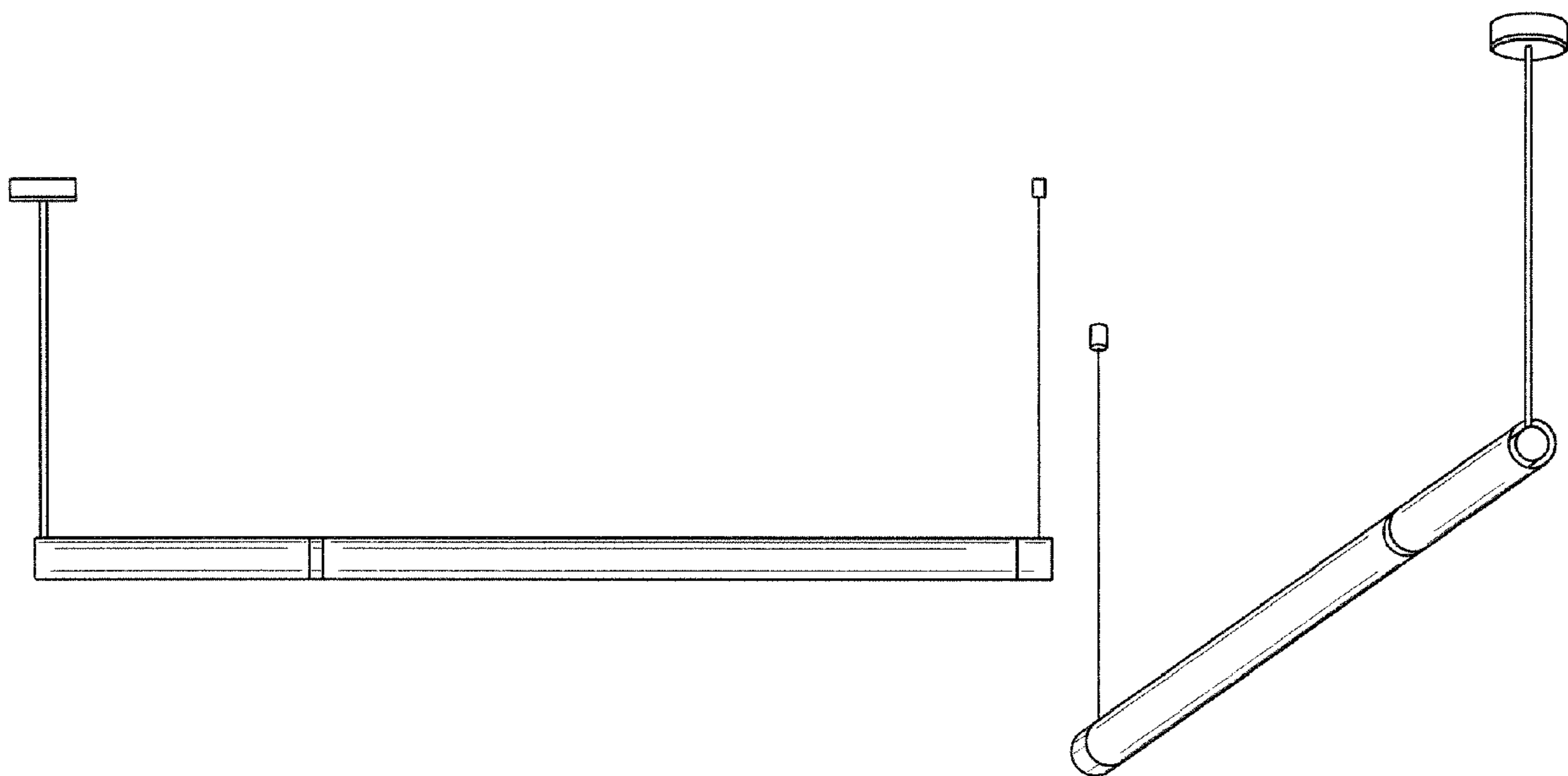
FIG. 3 is a top view of the light.

FIG. 4 is a view of the side of the light seen on the left side of
FIG. 2.

FIG. 5 is a perspective view of the light from below; and,

FIG. 6 is a view of the side of the light seen on the right side
of FIG. 2.

1 Claim, 2 Drawing Sheets



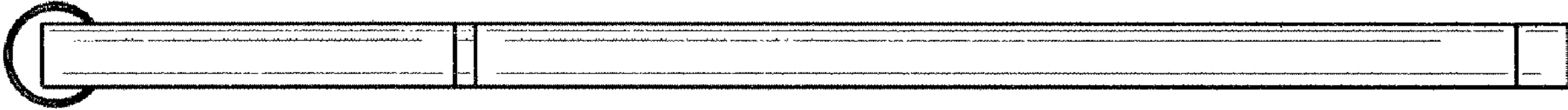


FIG. 1



FIG. 2

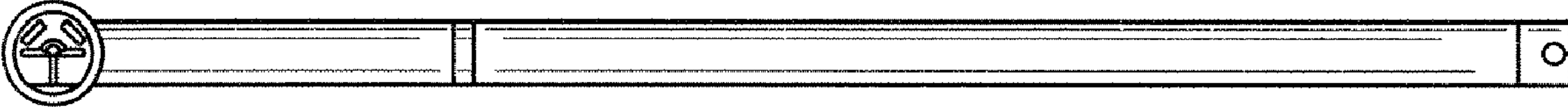


FIG. 3

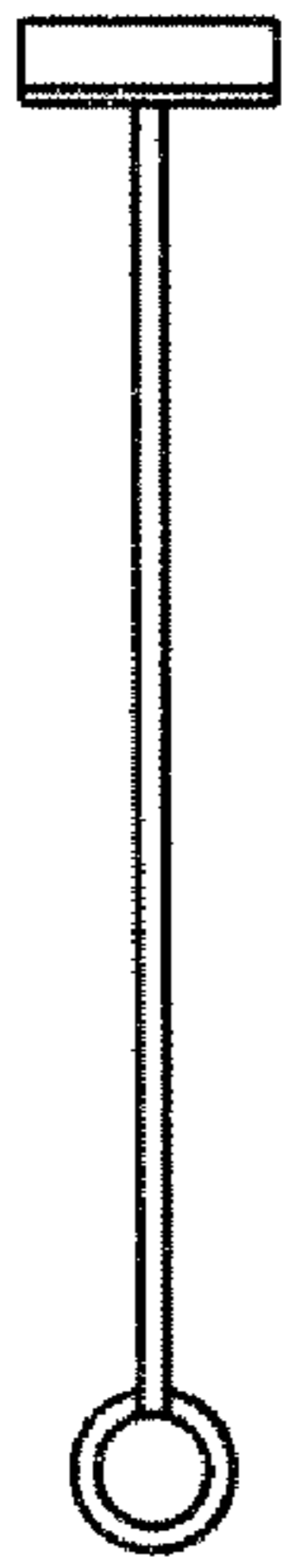


FIG. 4

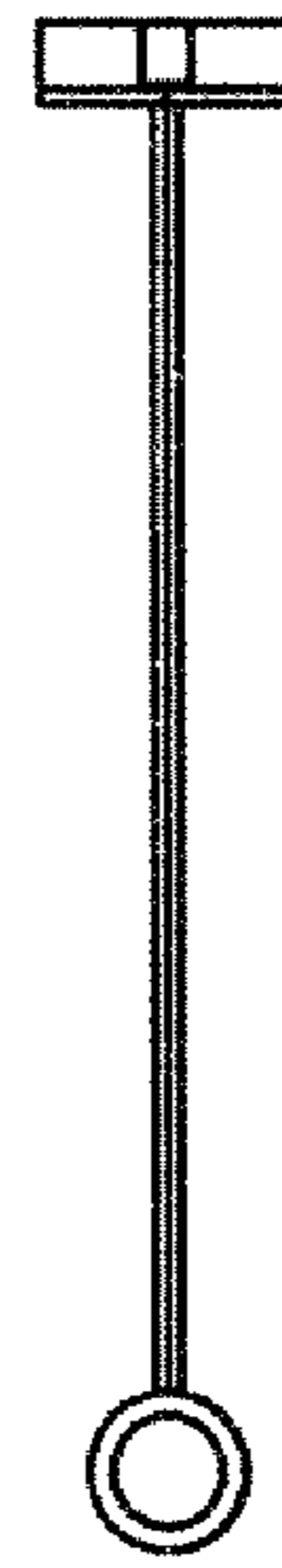


FIG. 6

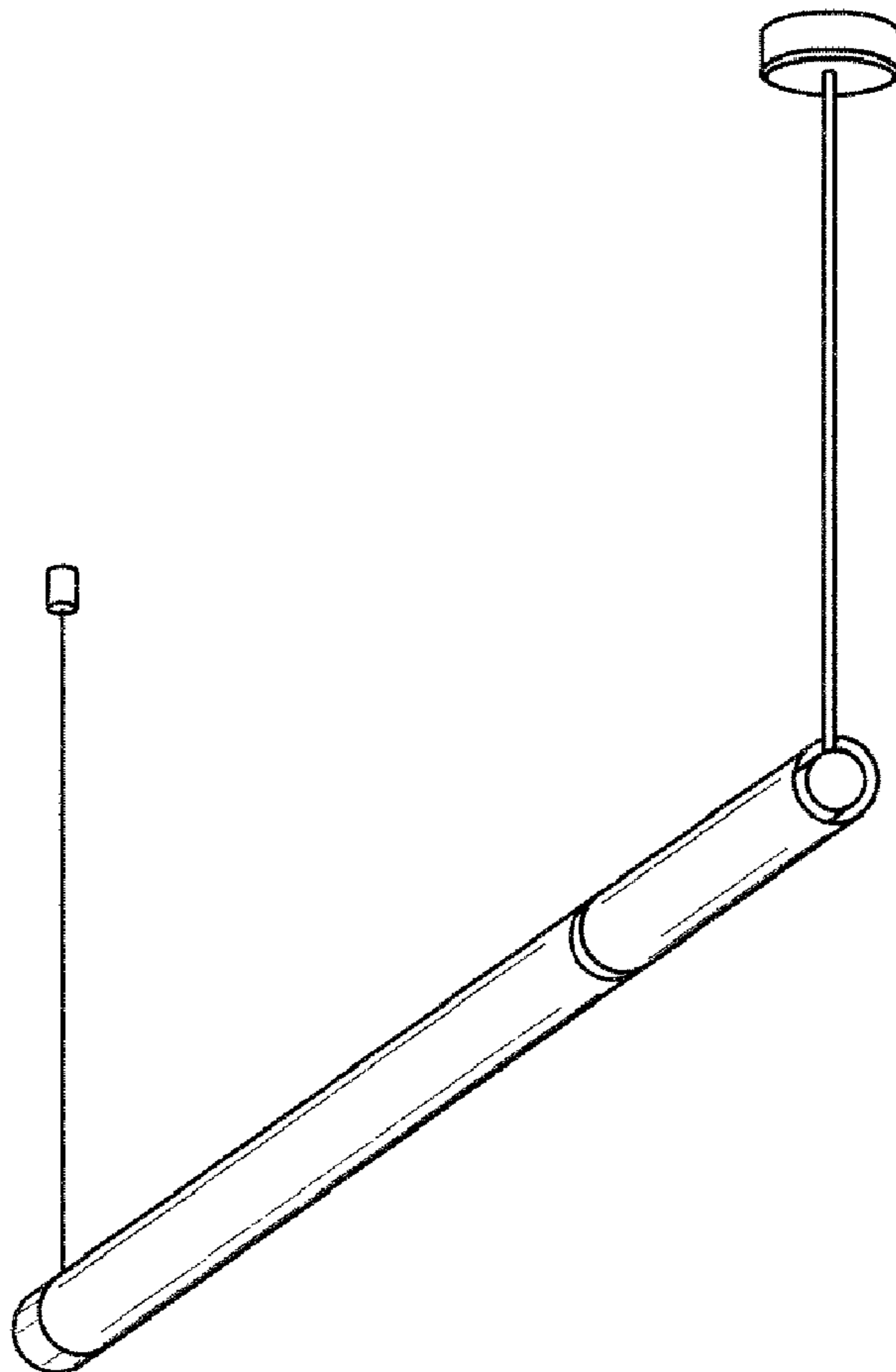


FIG. 5