



US00D613896S

(12) **United States Design Patent**
Chandler

(10) **Patent No.:** **US D613,896 S**

(45) **Date of Patent:** **** Apr. 13, 2010**

(54) **ELLIPSE LAMP**

DESCRIPTION

(75) Inventor: **George Chandler**, Hubbardton, VT (US)

FIG. 1 is a perspective view of the ellipse lamp according to a first embodiment of the present invention;

(73) Assignee: **Hubbardton Forge, LLC**, Castleton, VT (US)

FIG. 2 is a front view thereof, the rear view being a mirror image;

(**) Term: **14 Years**

FIG. 3 is a right side view thereof, the left side view being a mirror image;

(21) Appl. No.: **29/341,681**

FIG. 4 is a top view thereof;

(22) Filed: **Aug. 11, 2009**

FIG. 5 is a bottom view thereof;

(51) **LOC (9) Cl.** **26-03**

FIG. 6 is a perspective view of the ellipse lamp according to a second embodiment of the present invention;

(52) **U.S. Cl.** **D26/86; D26/83**

FIG. 7 is a front view thereof, the rear view being a mirror image;

(58) **Field of Classification Search** **D26/72, D26/82-92; 362/147, 432**

FIG. 8 is a right side view thereof, the left side view being a mirror image;

See application file for complete search history.

FIG. 9 is a top view thereof;

(56) **References Cited**

U.S. PATENT DOCUMENTS

D443,380 S *	6/2001	Williams	D26/87
D443,381 S *	6/2001	Williams	D26/87
D450,875 S *	11/2001	Yang	D26/87
D473,000 S *	4/2003	Hoernig	D26/80
D564,693 S *	3/2008	Ziliani	D26/85
D576,339 S *	9/2008	Porter	D26/86

FIG. 10 is a bottom view thereof;

OTHER PUBLICATIONS

Square Five-Light Bath Fixture/ Bellacor No. 45526. Found at bellacor.com on Sep. 1, 2004. (1 page).*

FIG. 11 is a perspective view of the ellipse lamp according to a third embodiment of the present invention;

"Sophia" 4-light Vanity Fixture/ Bellacor No. 32407. Found at bellacor.com on Sep. 1, 2004. (1 page).*

FIG. 12 is a front view thereof, the rear view being a mirror image;

Five Light Bath Fixture/ Bellacor No. 34038. Found at bellacor.com on Sep. 1, 2004. (1 page).*

FIG. 13 is a right side view thereof, the left side view being a mirror image;

"Studio" 5-Light Bath Fixture/ Bellacor No. 36074. Found at bellacor.com on Sep. 1, 2004. (2 pages).*

FIG. 14 is a top view thereof;

* cited by examiner

FIG. 15 is a bottom view thereof;

Primary Examiner—Clare E Heflin

FIG. 16 is a perspective view of the ellipse lamp according to a fourth embodiment of the present invention;

(74) *Attorney, Agent, or Firm*—Bourque and Associates, PA

FIG. 17 is a front view thereof, the rear view being a mirror image;

(57) **CLAIM**

FIG. 18 is a right side view thereof, the left side view being a mirror image;

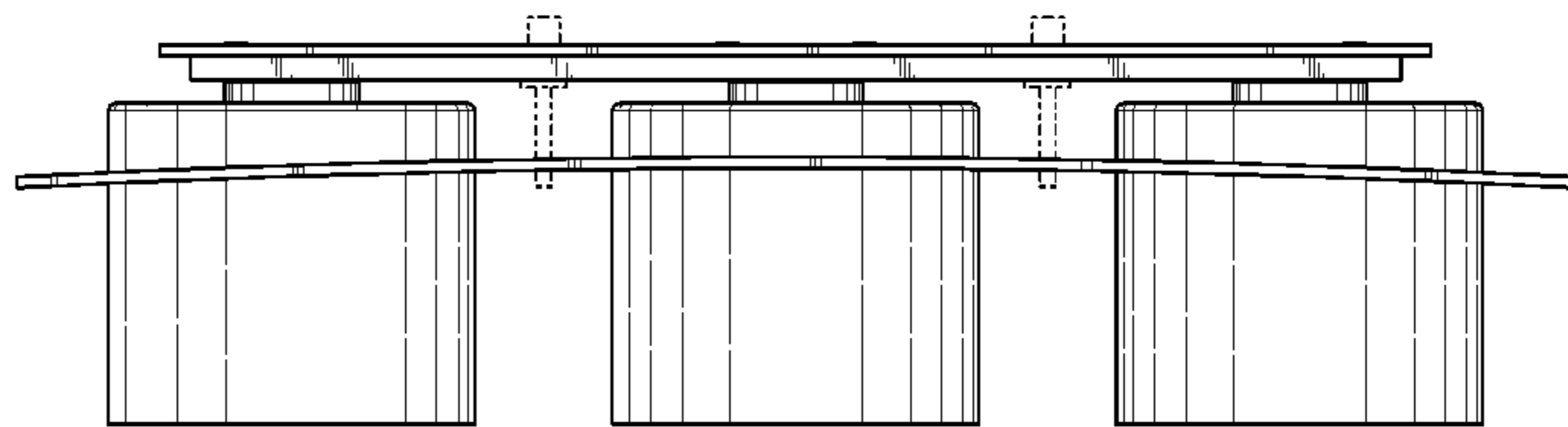
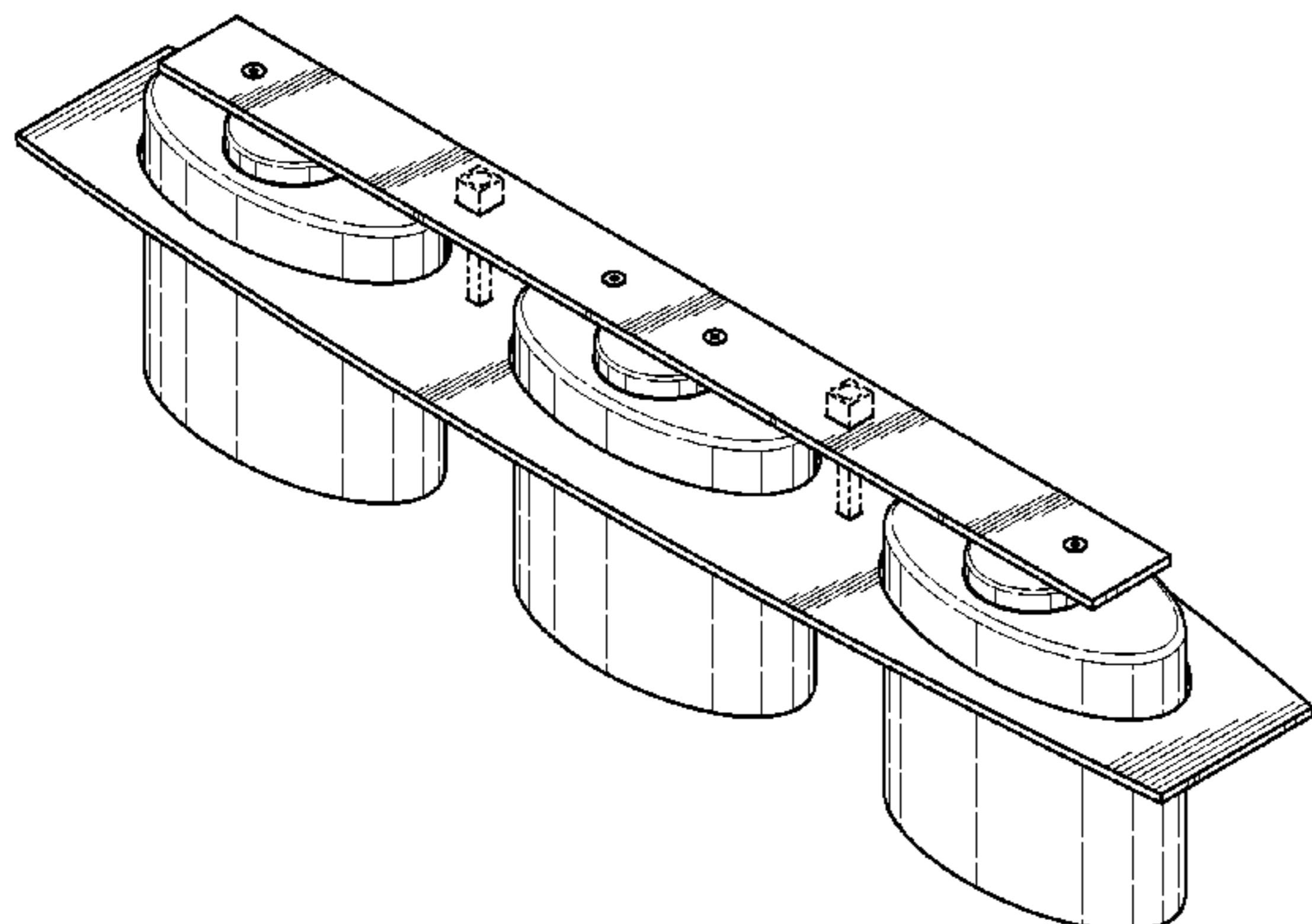
The ornamental design for an ellipse lamp, as shown and described.

FIG. 19 is a top view thereof; and,

FIG. 20 is a bottom view thereof.

The broken lines shown are for illustrative purposes only and form no part of the claimed design.

1 Claim, 16 Drawing Sheets



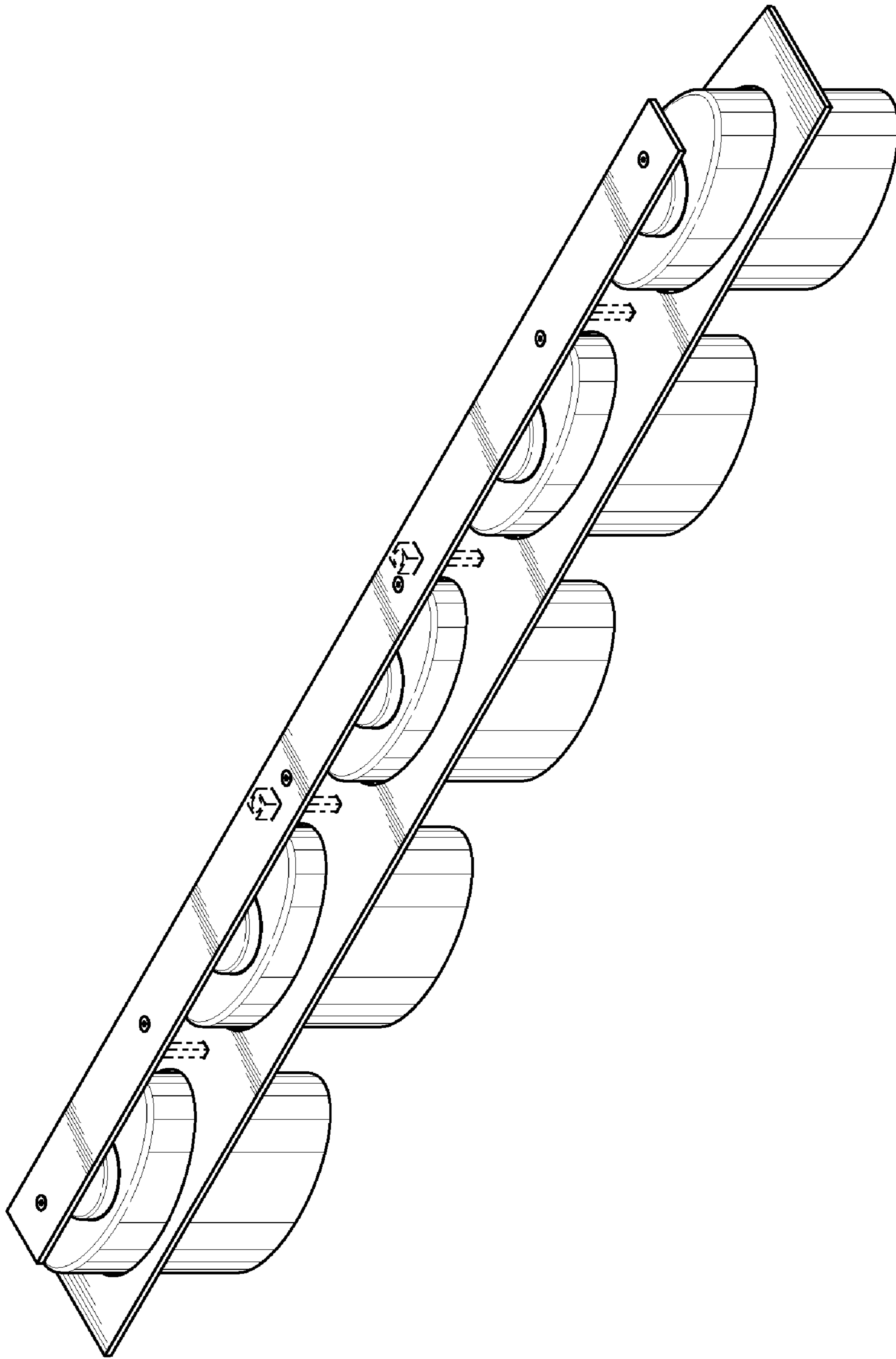


FIG. 1

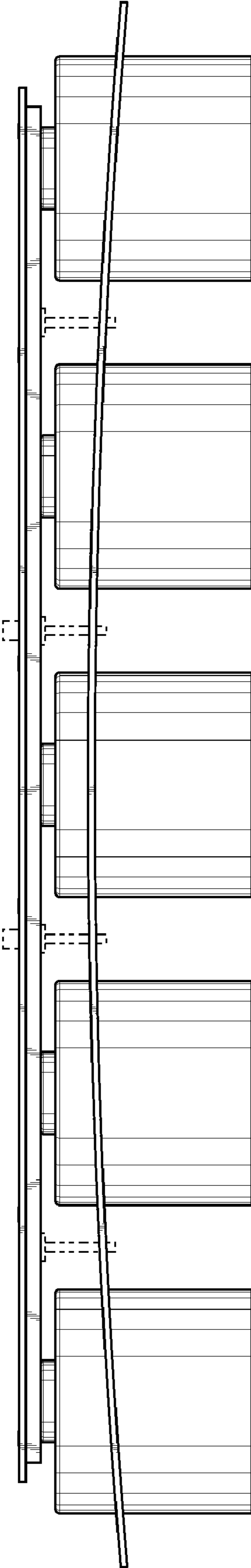


FIG. 2

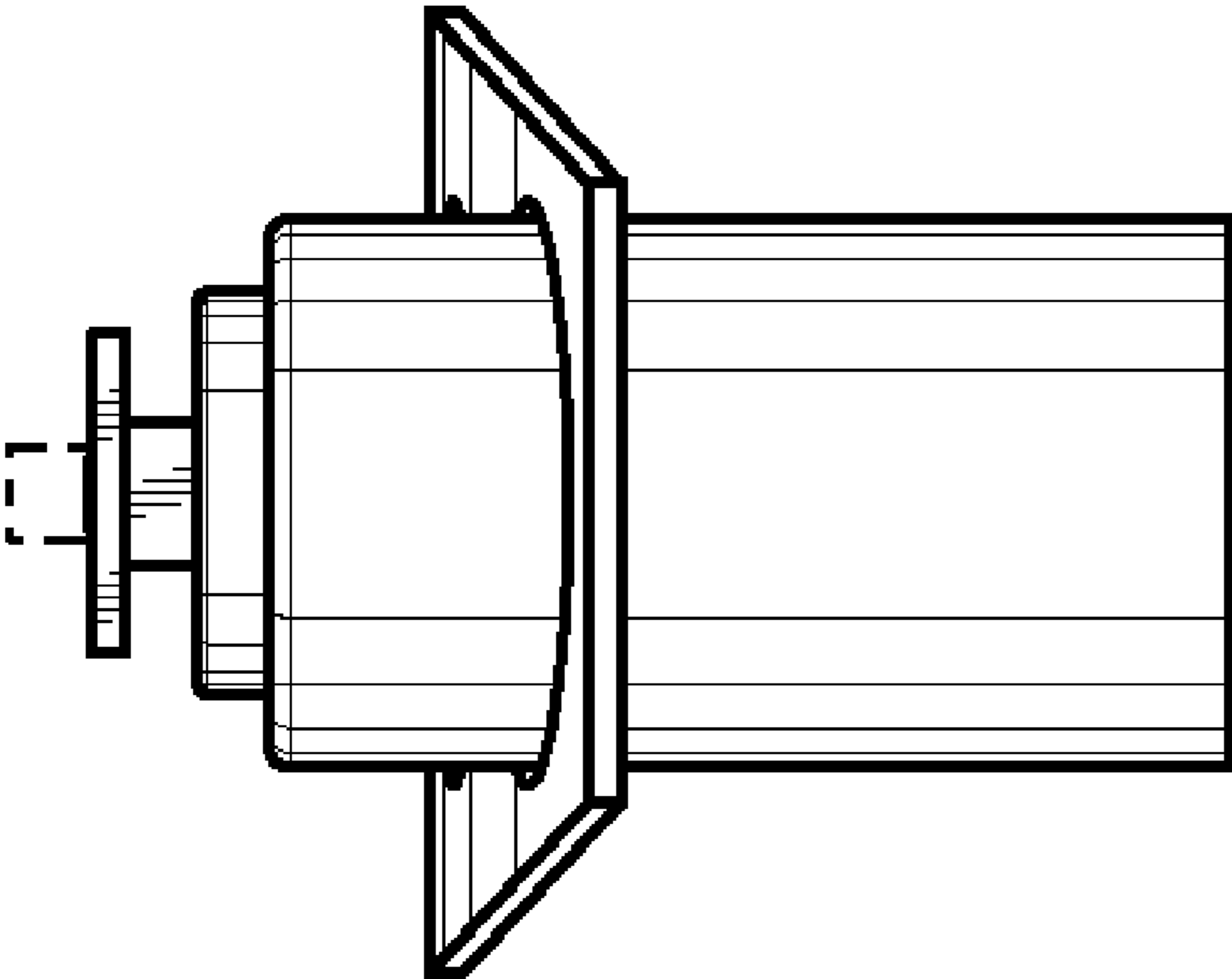


FIG. 3

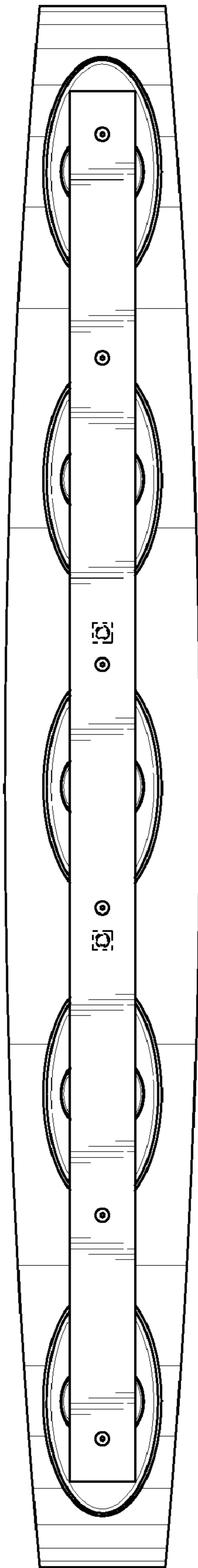


FIG. 4

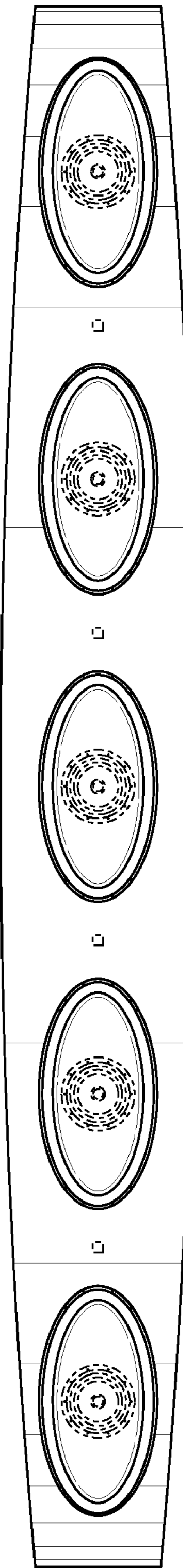


FIG. 5

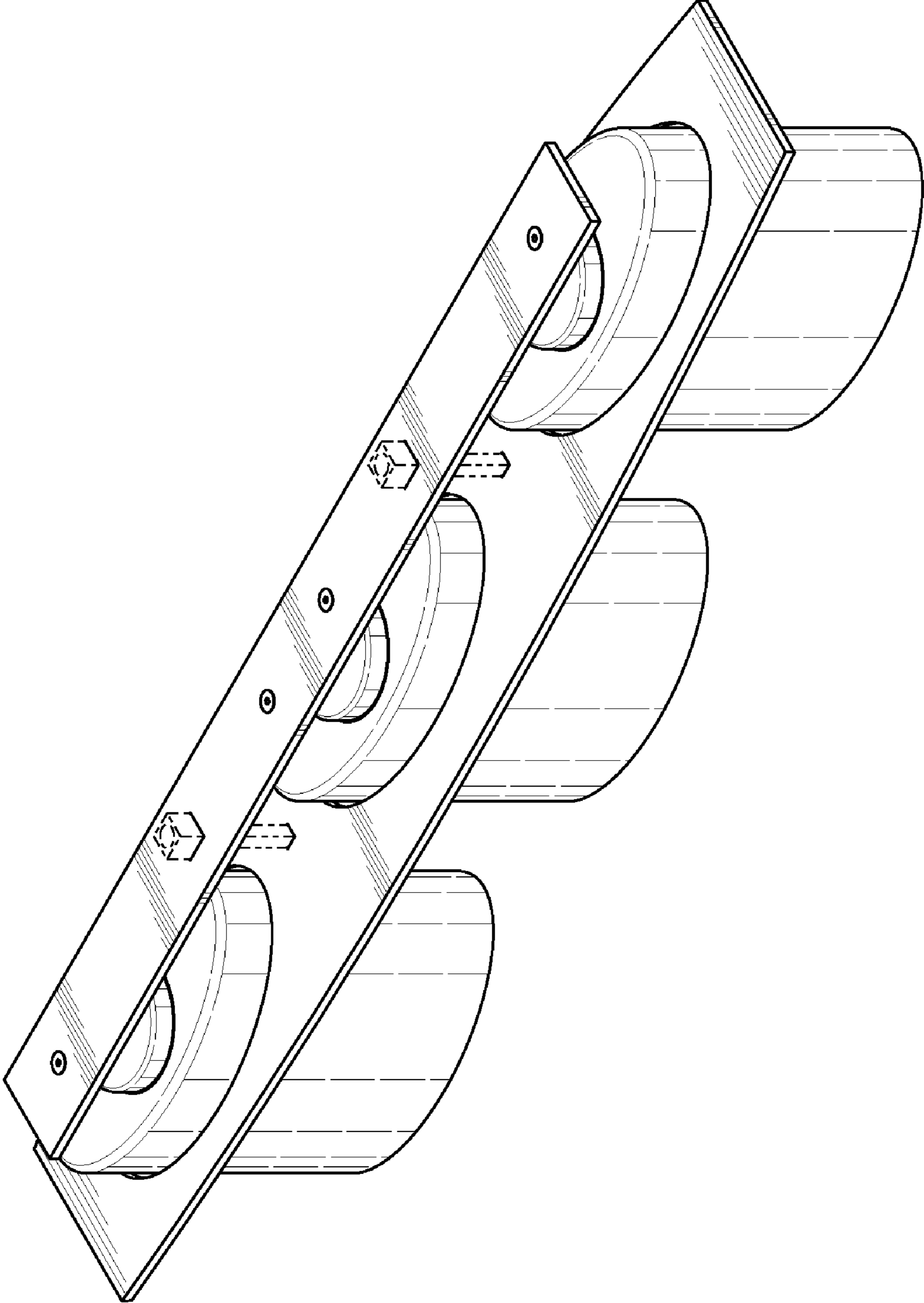


FIG. 6

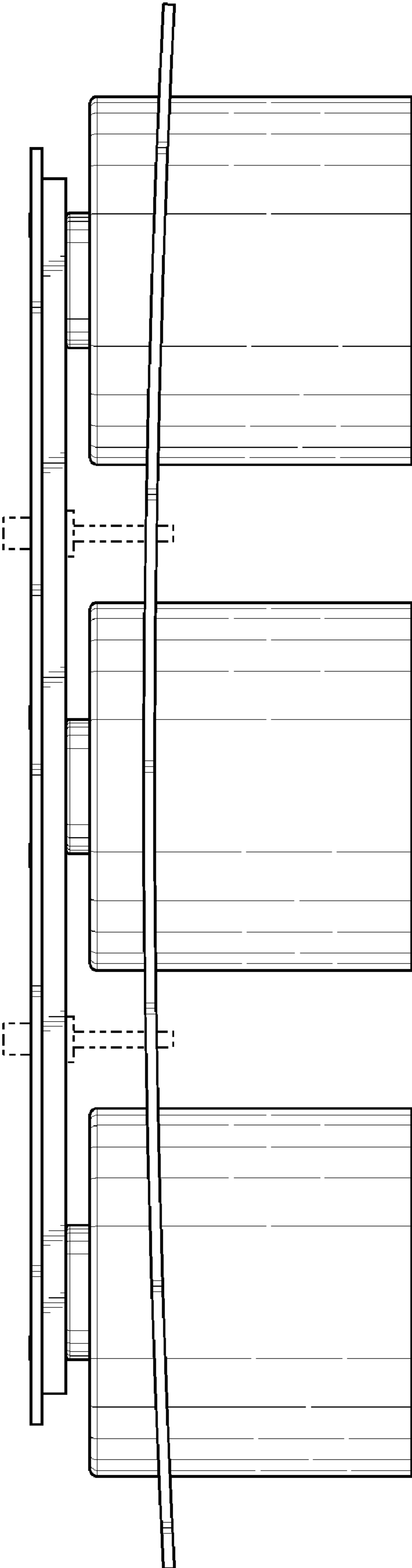


FIG. 7

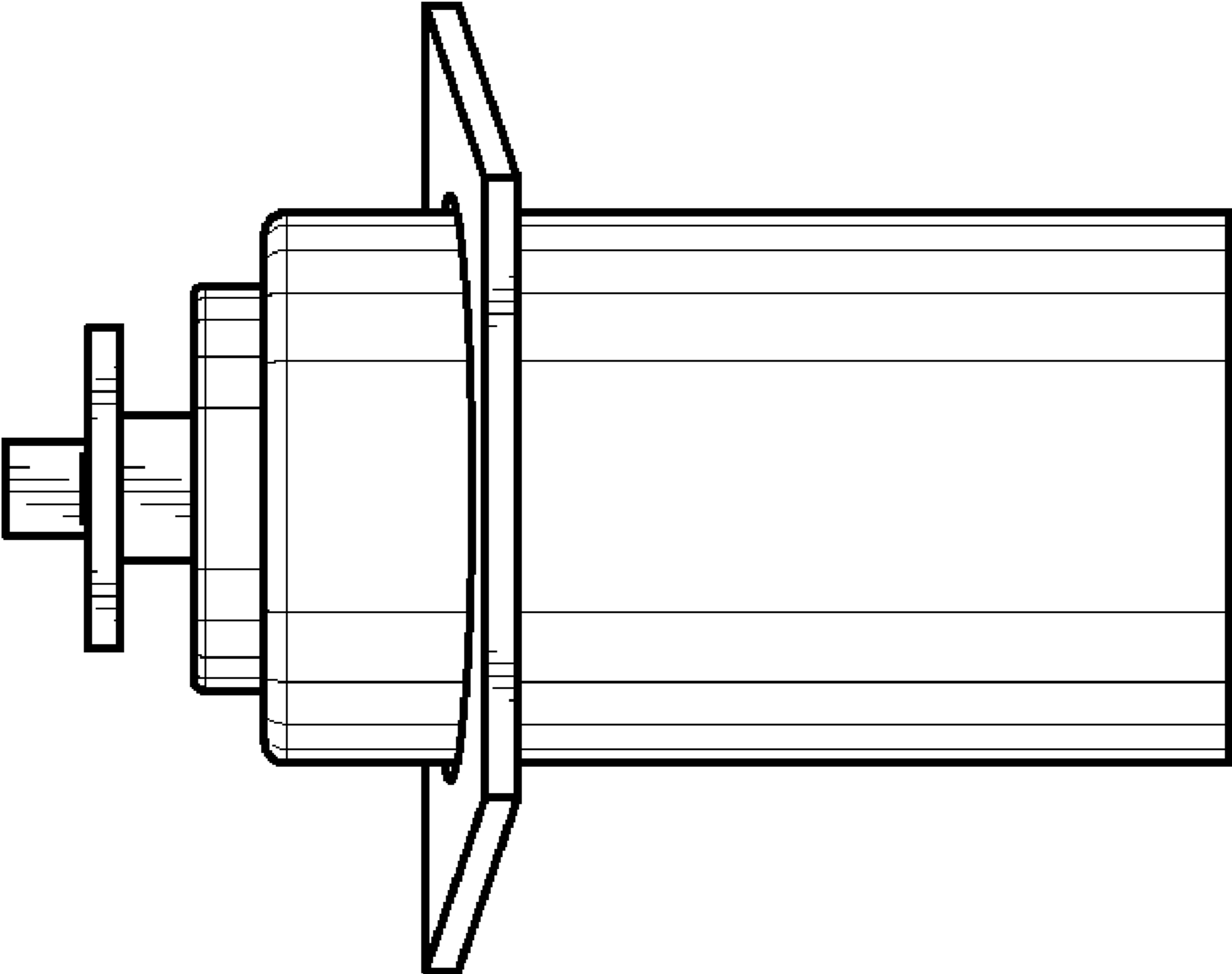


FIG. 8

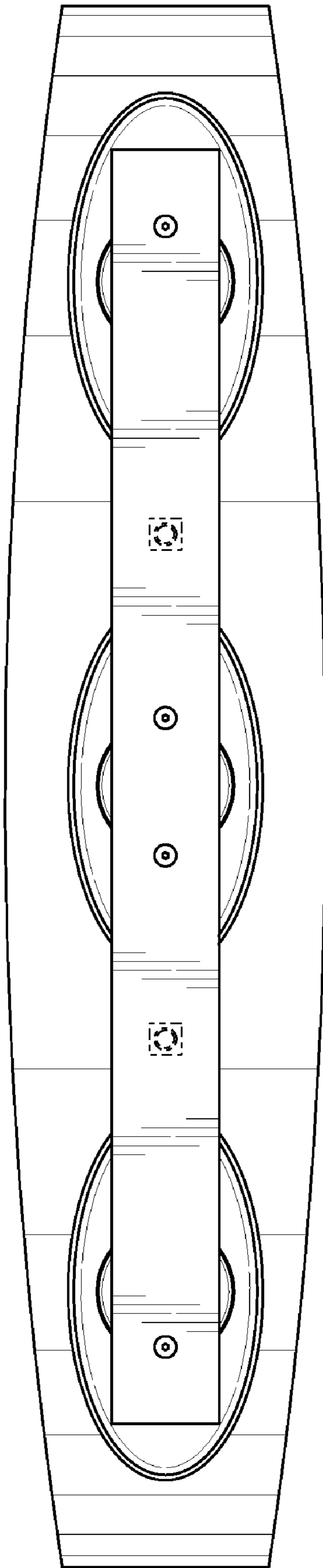


FIG. 9

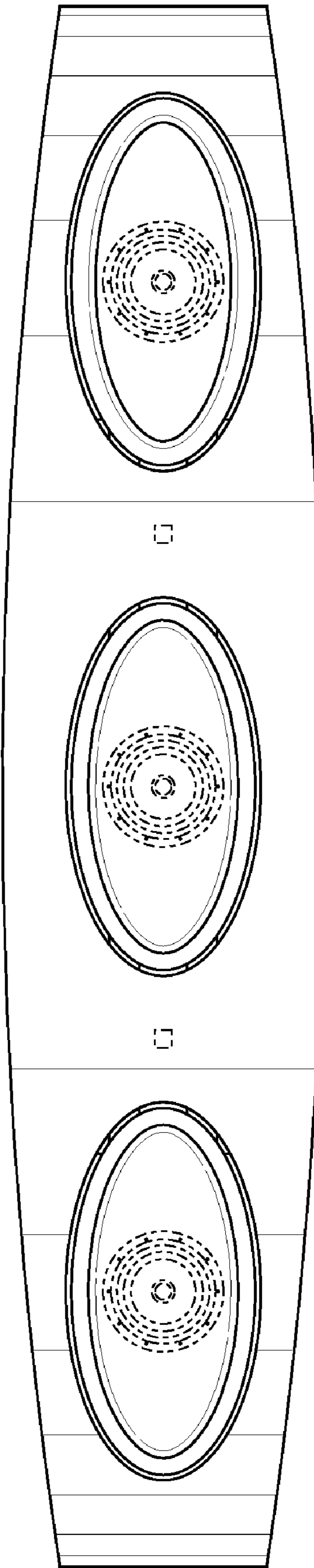


FIG. 10

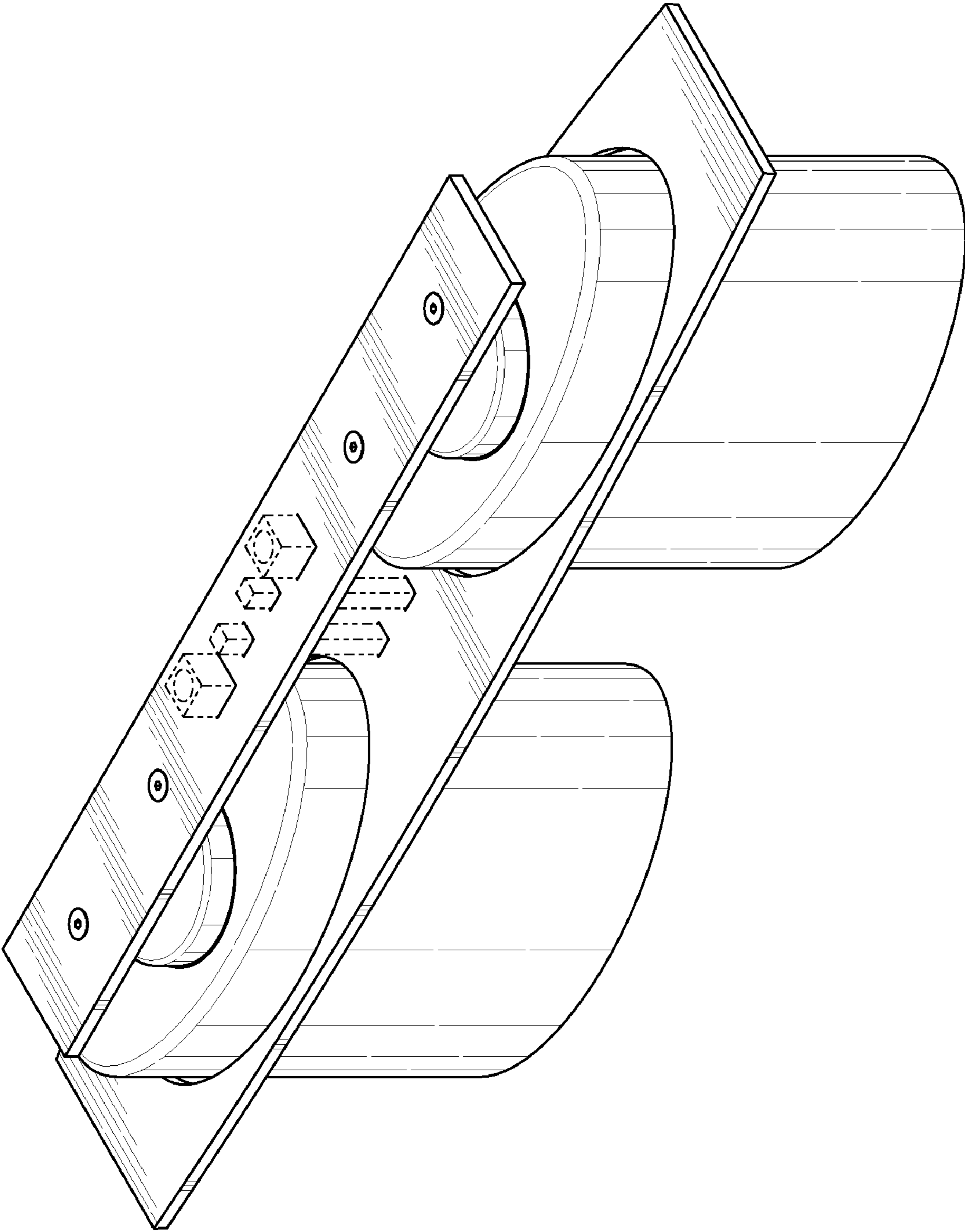


FIG. 11

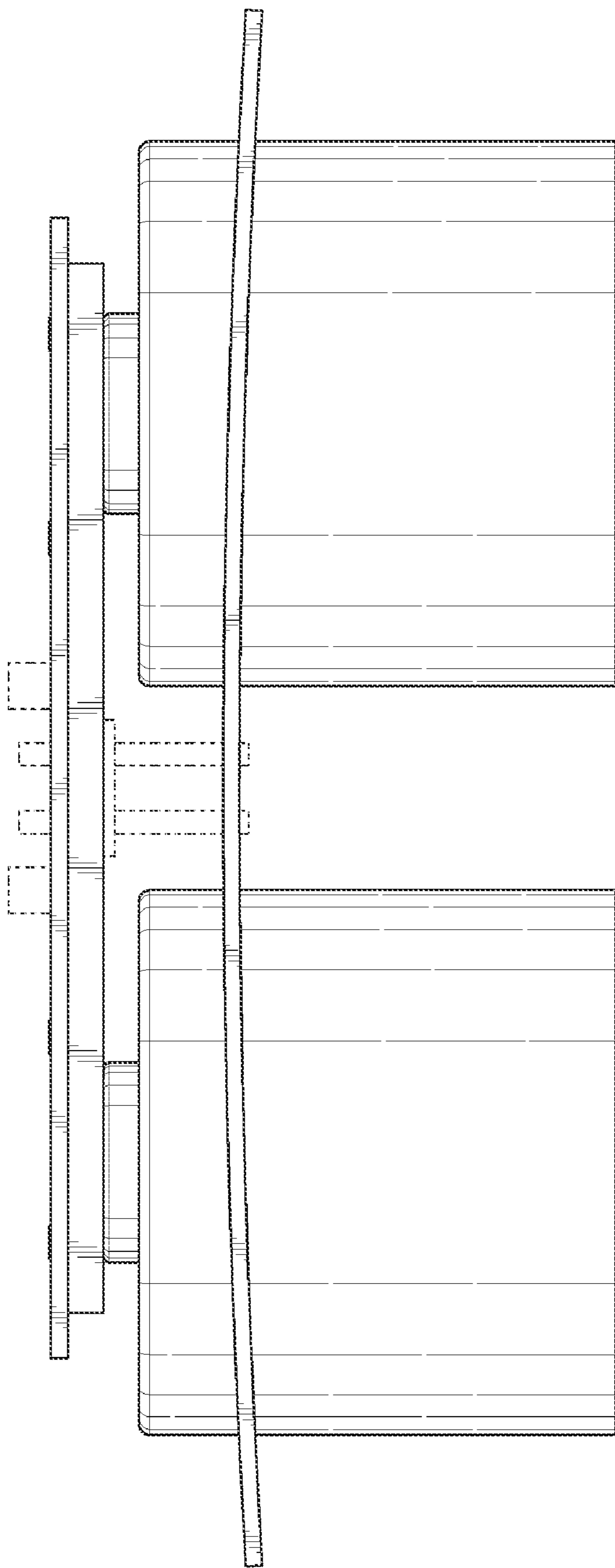


FIG. 12

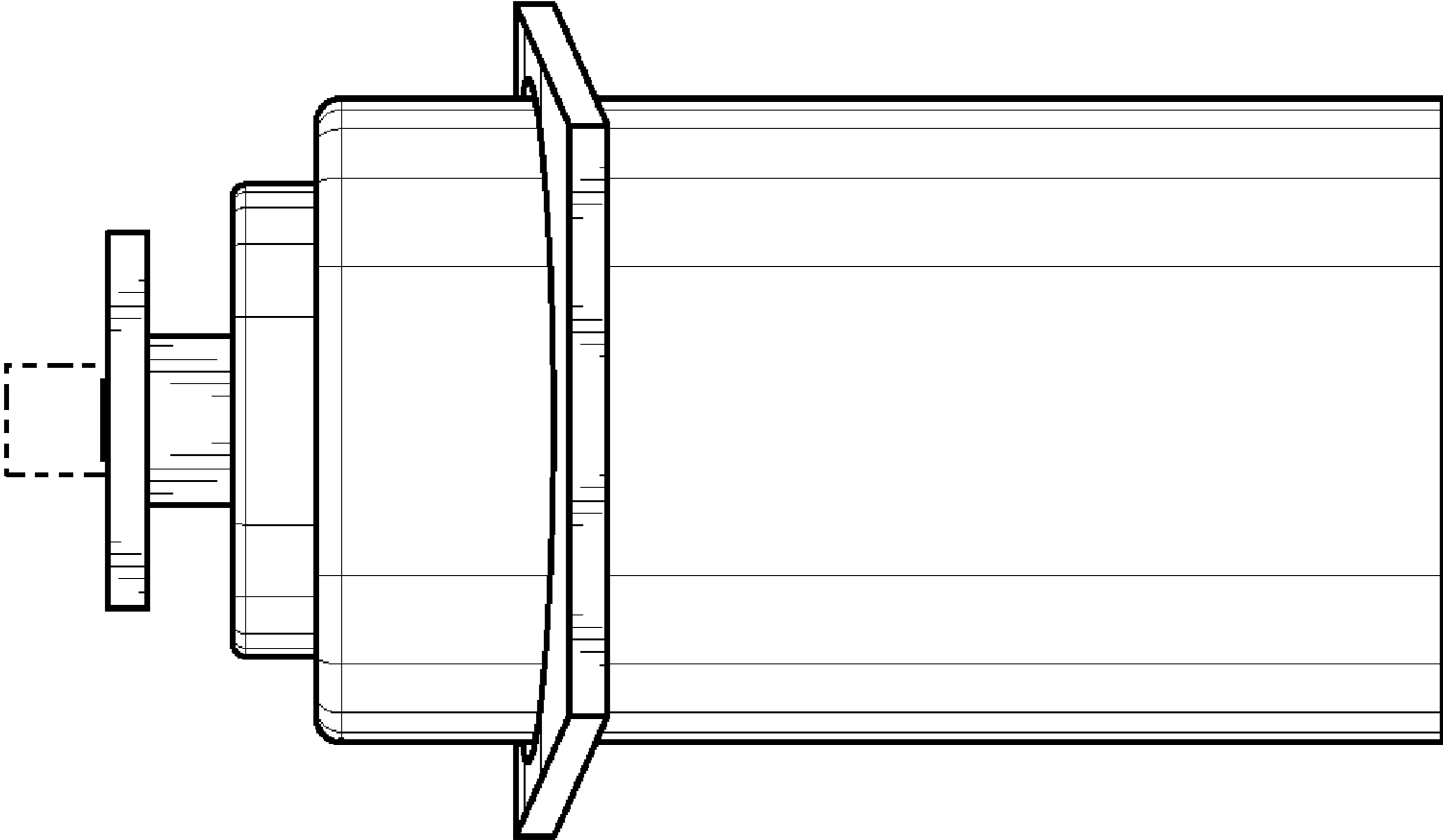


FIG. 13

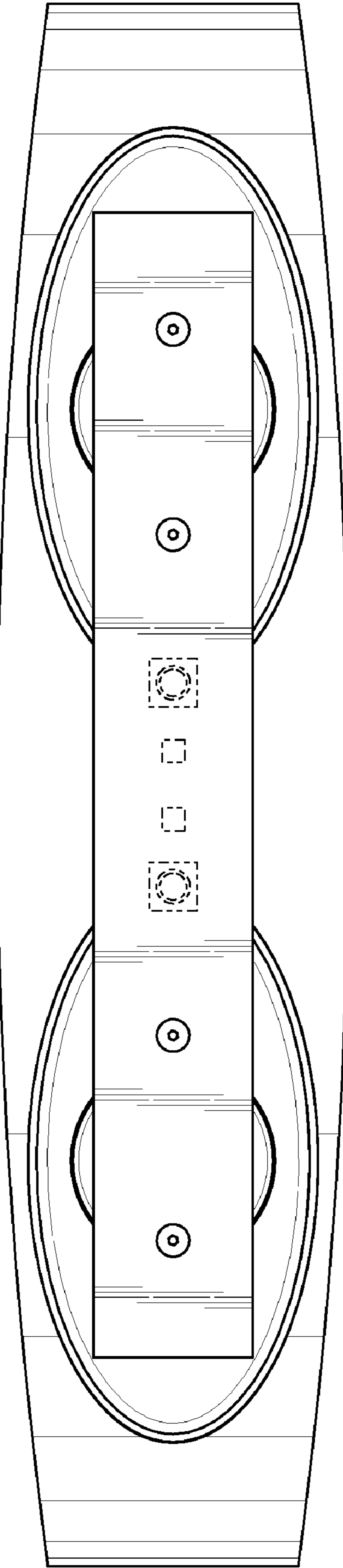


FIG. 14

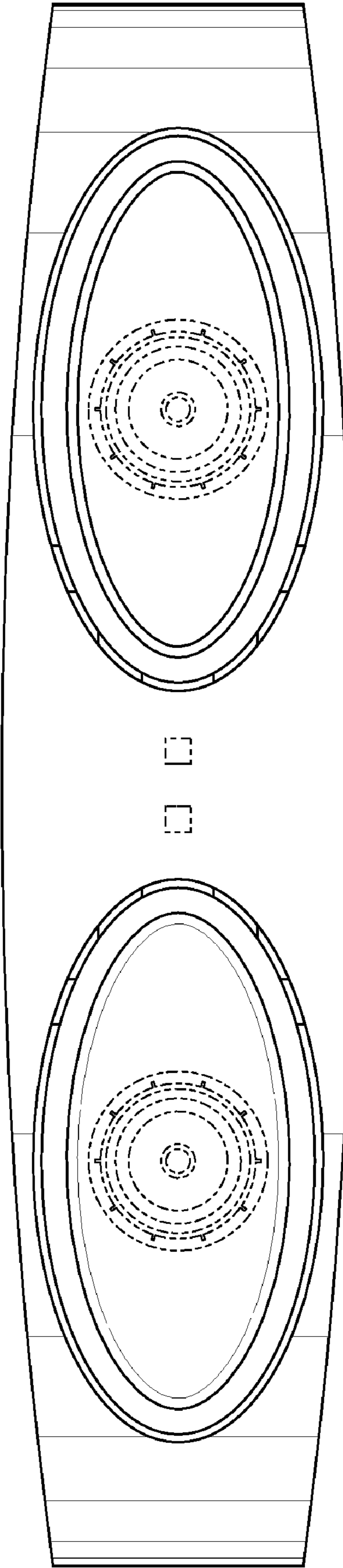


FIG. 15

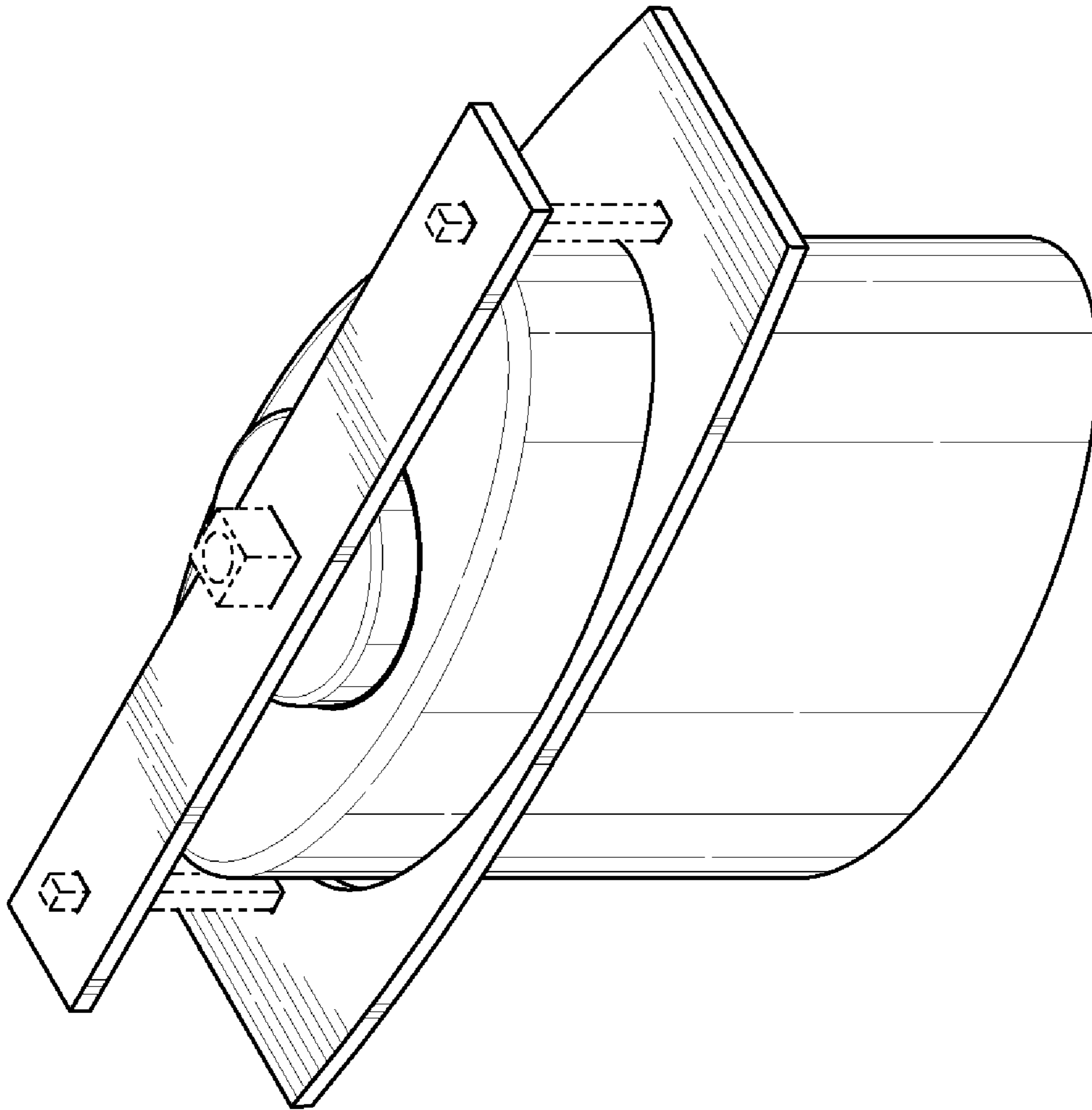


FIG. 16

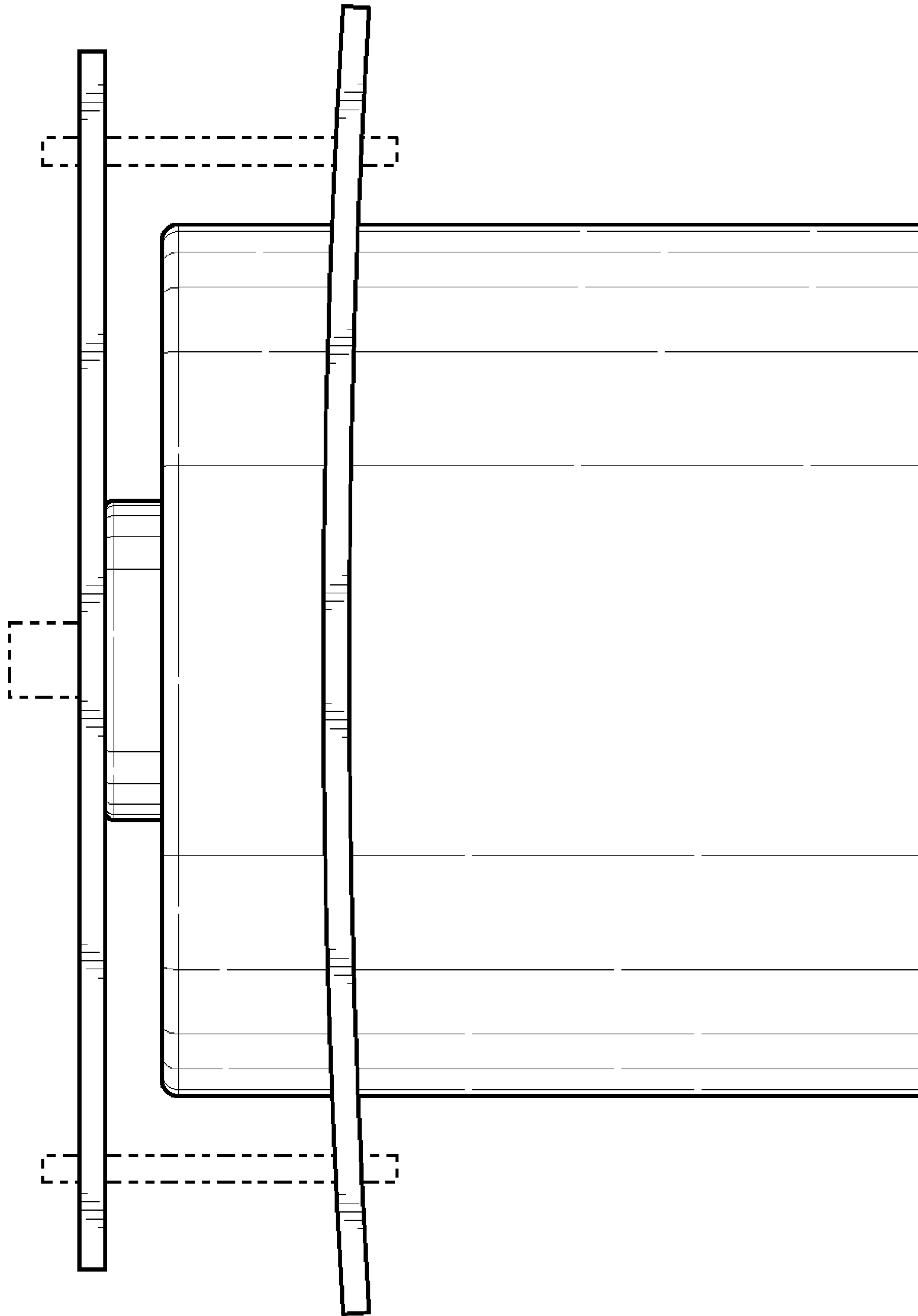


FIG. 17

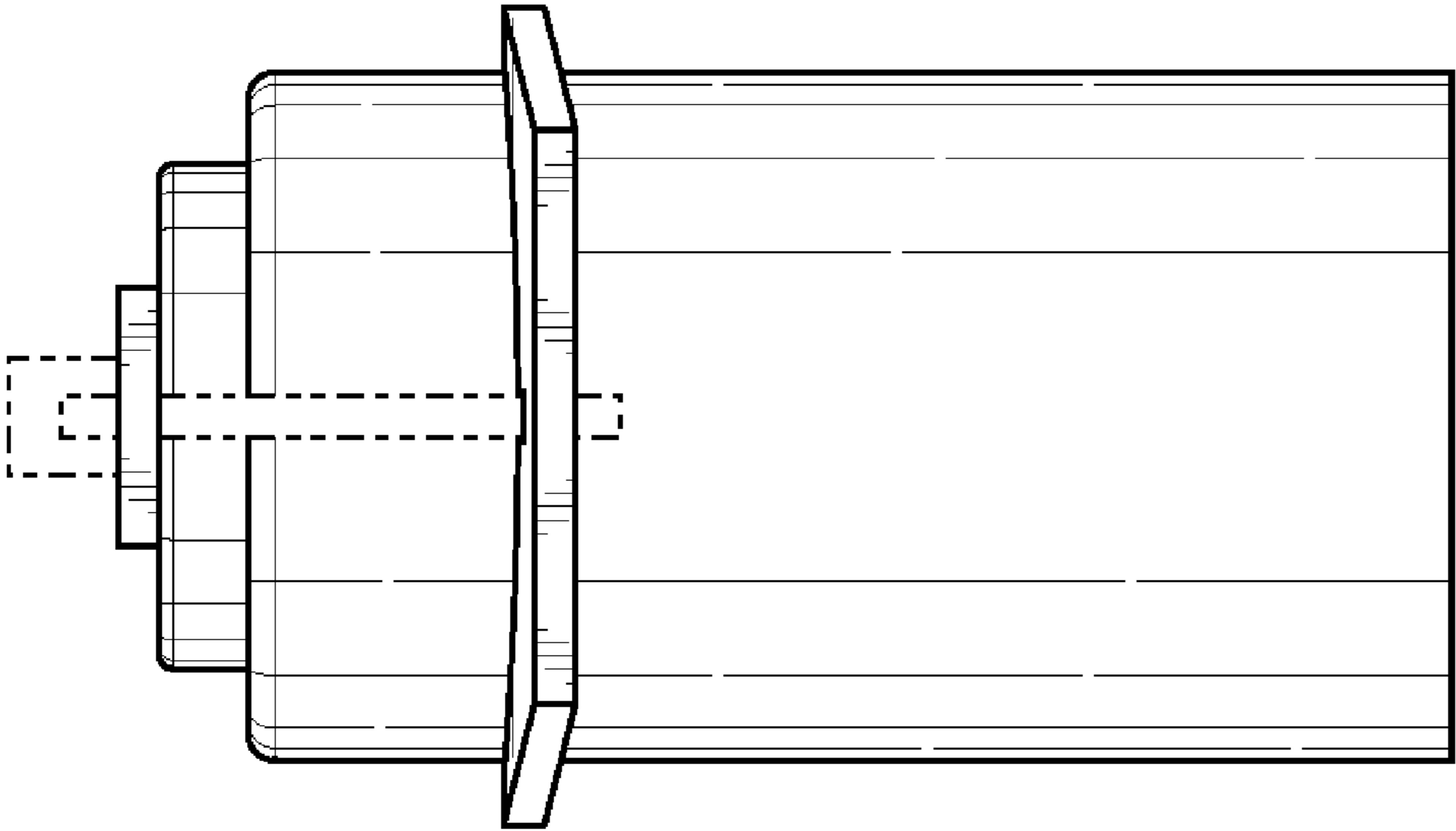


FIG. 18

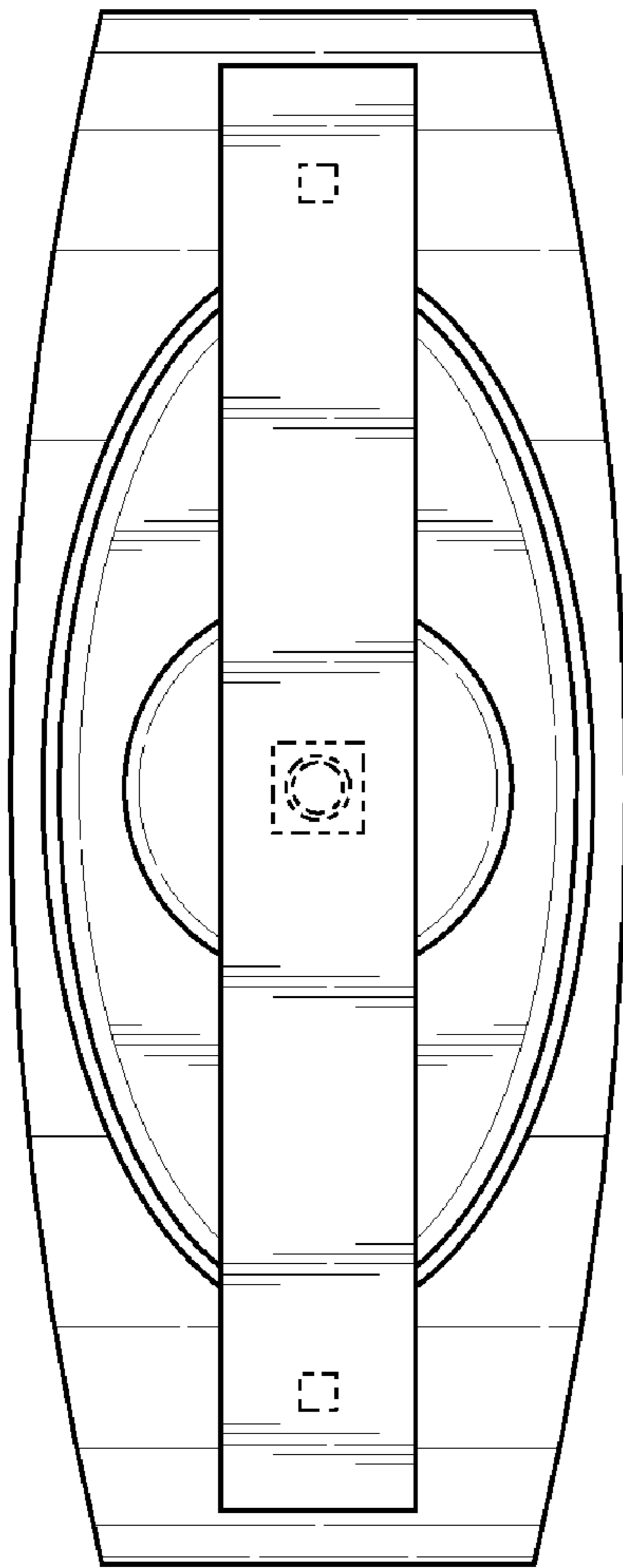


FIG. 19

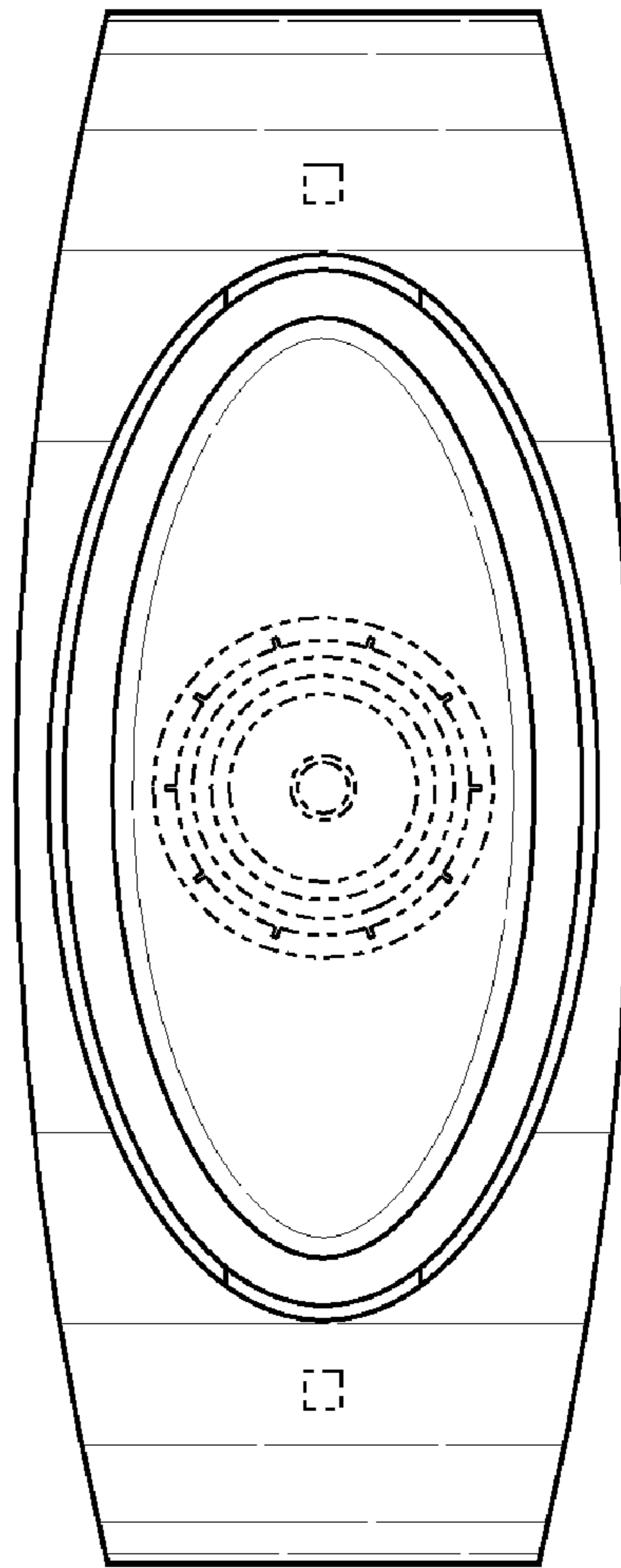


FIG. 20