



US00D613895S

(12) **United States Design Patent**
Chen

(10) **Patent No.:** **US D613,895 S**

(45) **Date of Patent:** **** Apr. 13, 2010**

(54) **LIGHT FIXTURE**

D441,898 S * 5/2001 Hsu D26/86

(76) Inventor: **Chia-Teh Chen**, 5F., No. 30, Yisian Rd.,
Taipei City (TW)

(**) Term: **14 Years**

(21) Appl. No.: **29/311,990**

(22) Filed: **Aug. 17, 2009**

(51) **LOC (9) Cl.** **26-03**

(52) **U.S. Cl.** **D26/81; D26/144**

(58) **Field of Classification Search** D26/72,
D26/81-84, 88-91, 143, 144; 362/147, 404-408,
362/432

See application file for complete search history.

(56) **References Cited**

U.S. PATENT DOCUMENTS

D64,982 S *	6/1924	Klein	D26/84
D68,017 S *	8/1925	Schaffer	D26/84
D90,017 S *	5/1933	Bush	D26/84
D263,631 S *	3/1982	Nelson	D26/84
D366,341 S *	1/1996	Lin	D26/84
D385,644 S *	10/1997	Blackman	D26/84
D400,282 S *	10/1998	Stewart	D26/86
D406,671 S *	3/1999	Tsuji	D26/84
D407,520 S *	3/1999	Dolan	D26/84

OTHER PUBLICATIONS

“Crystal Fountain” chandelier, model #2428NI shown on p. 194 of
the Kichler Lighting catalog #104. © 2004.*

* cited by examiner

Primary Examiner—Clare E Heflin

(74) *Attorney, Agent, or Firm*—Rosenberg, Klein & Lee

(57) **CLAIM**

The ornamental design for a “light fixture,” as shown and
described.

DESCRIPTION

FIG. 1 is a perspective view of a “light fixture” showing my
new design;

FIG. 2 is a front view thereof;

FIG. 3 is a rear view thereof;

FIG. 4 is a left side view thereof;

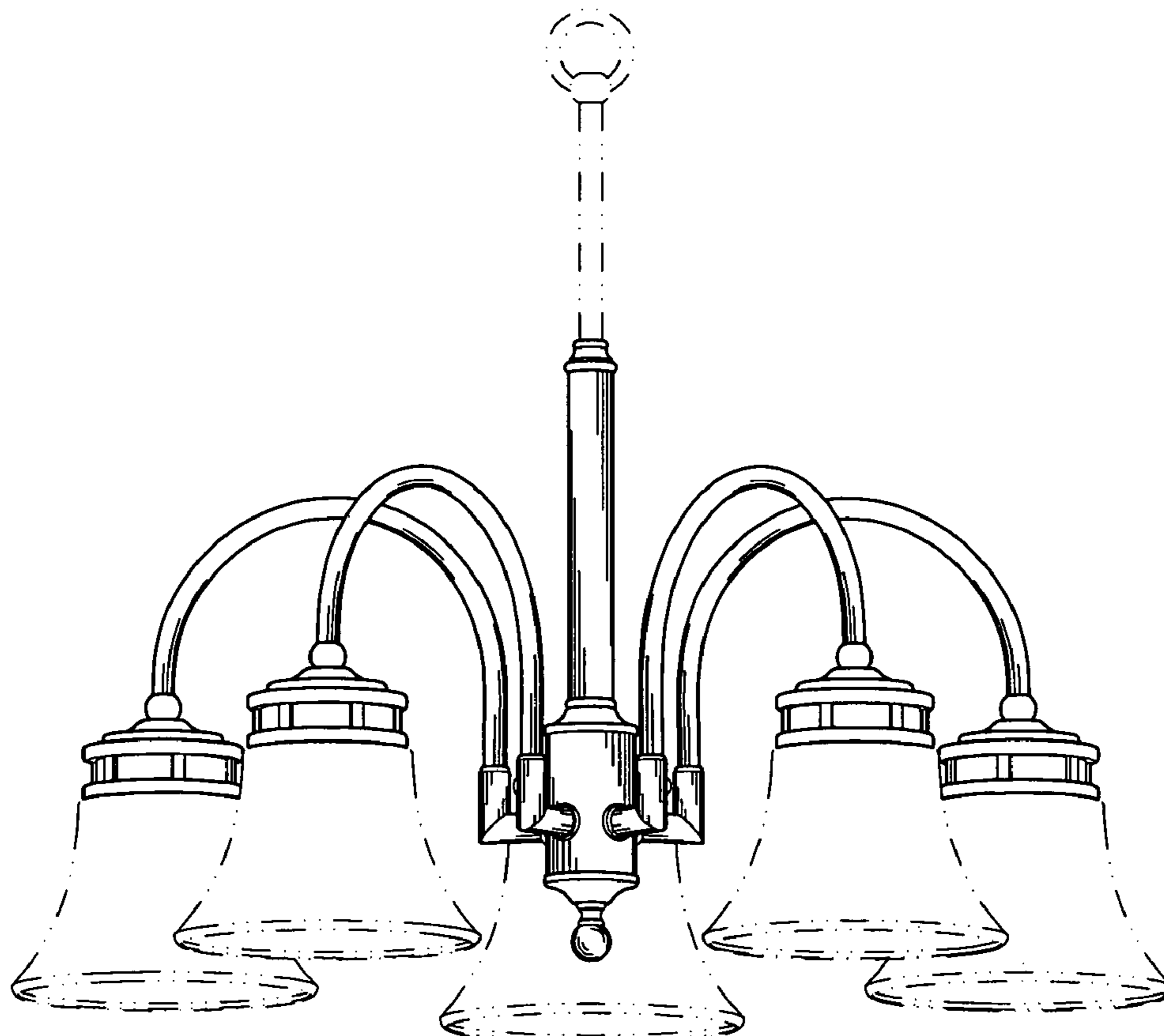
FIG. 5 is a right side view thereof;

FIG. 6 is a top view thereof; and,

FIG. 7 is a bottom view thereof.

The broken lines shown on the drawings represent environ-
ment only and form no part of the claimed design.

1 Claim, 7 Drawing Sheets



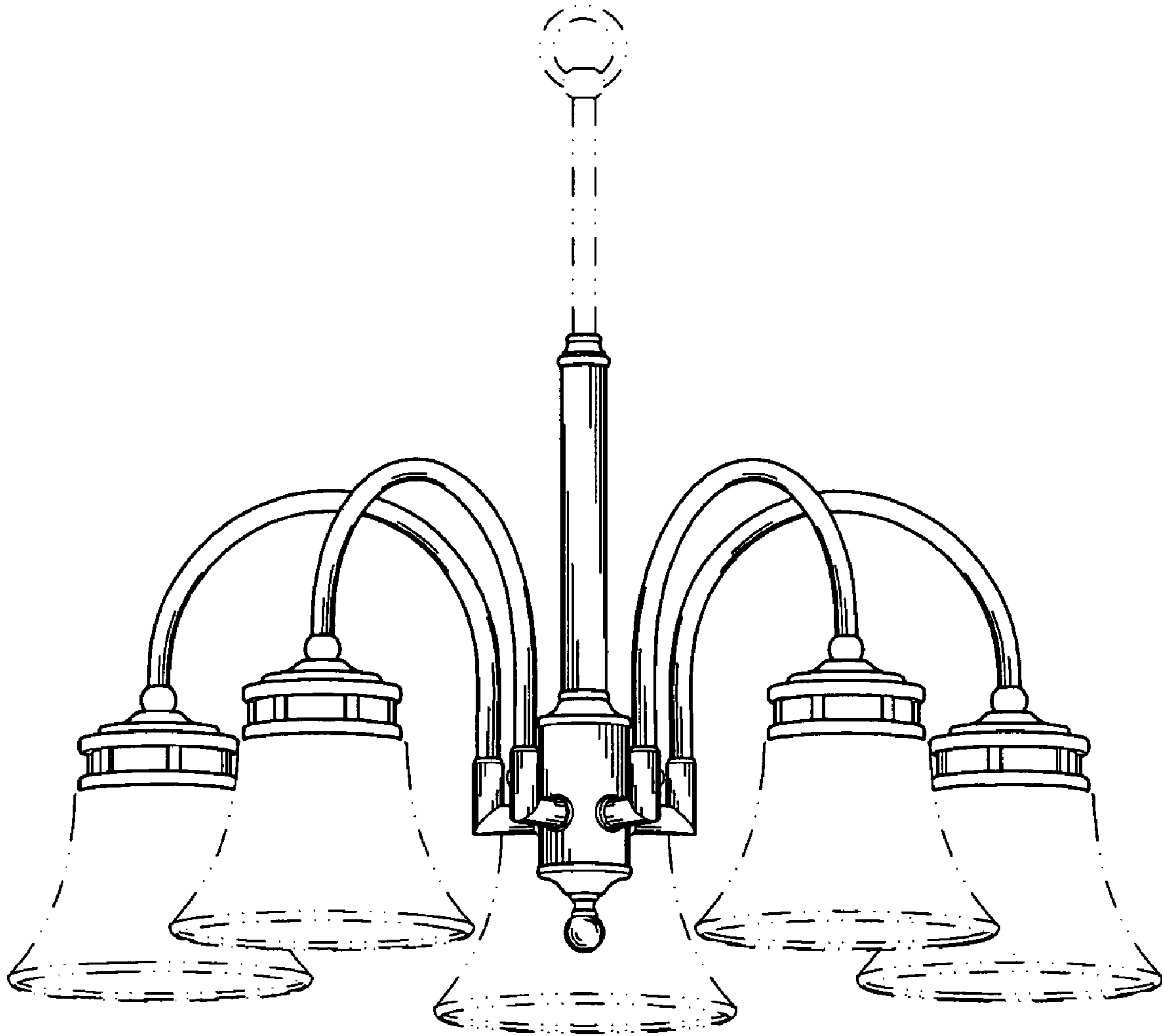


FIG. 1

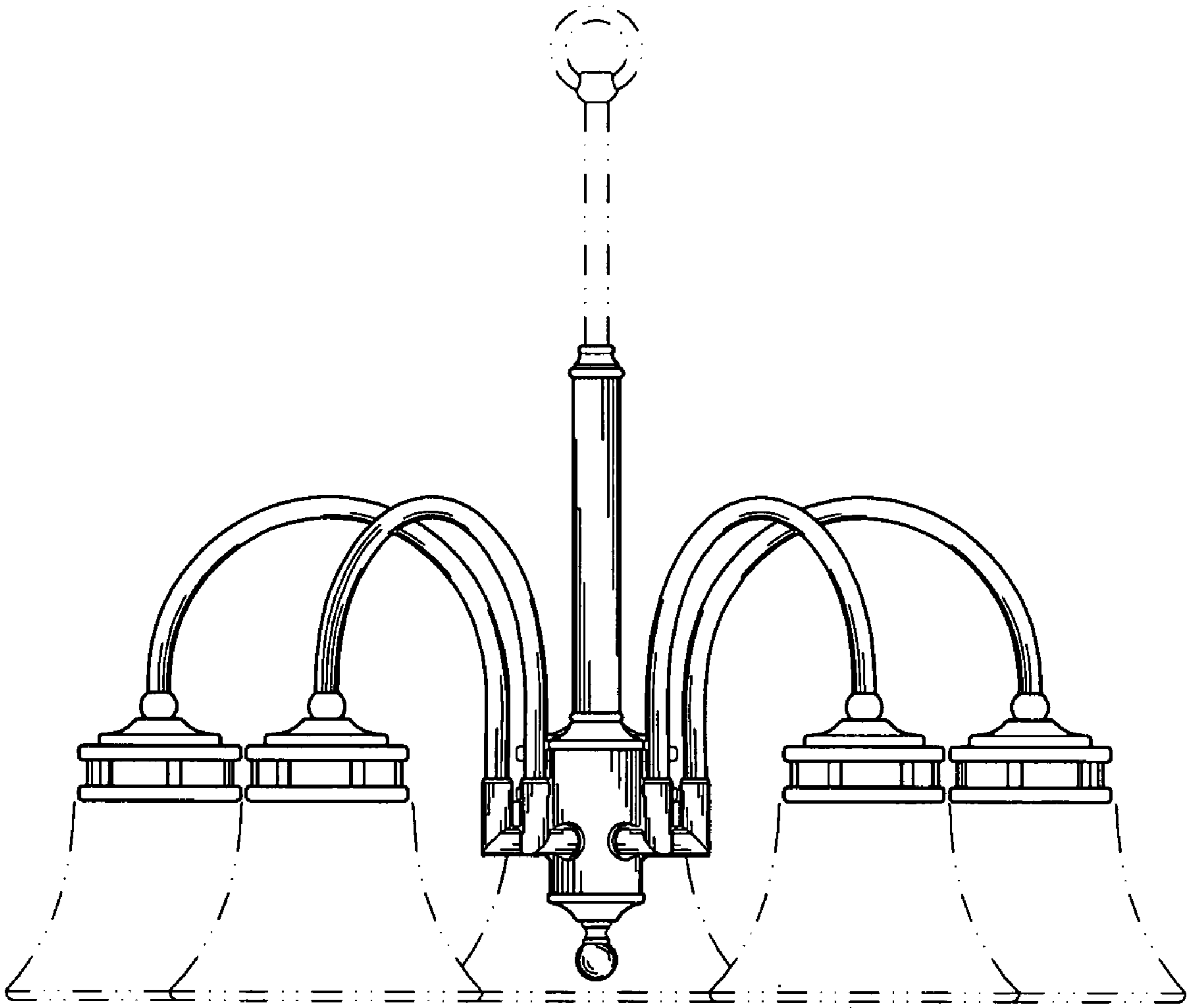


FIG. 2

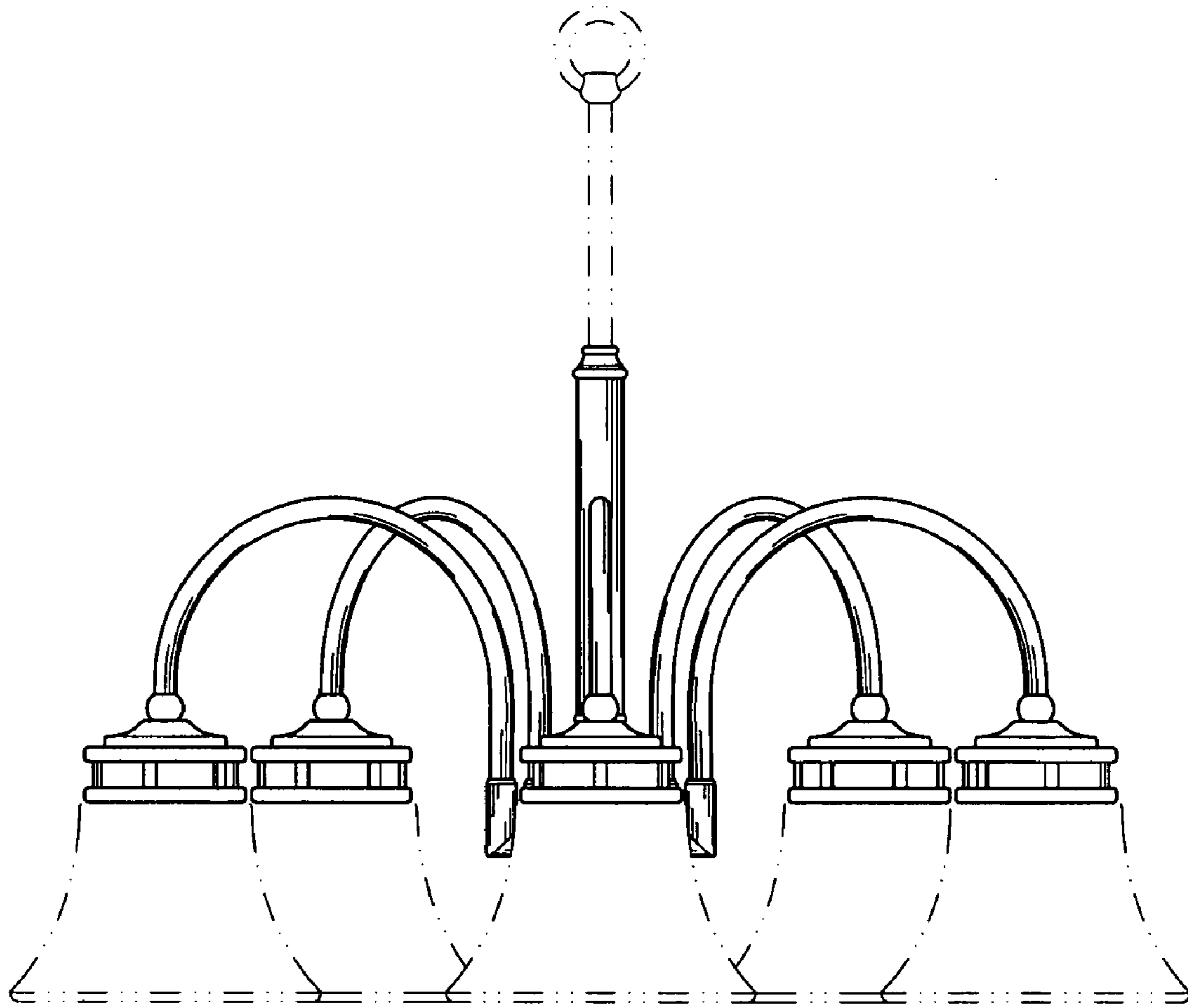


FIG. 3

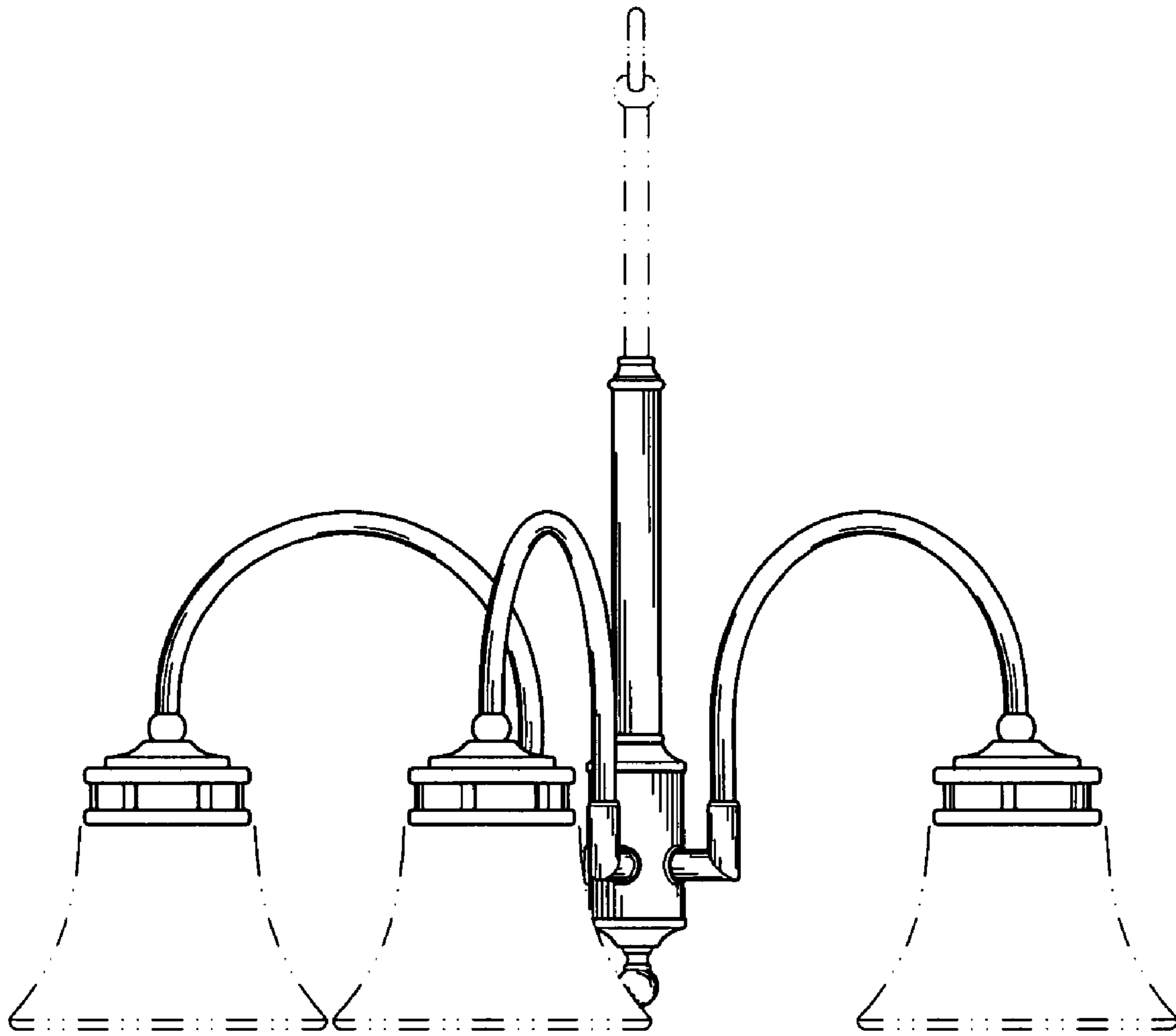


FIG. 4

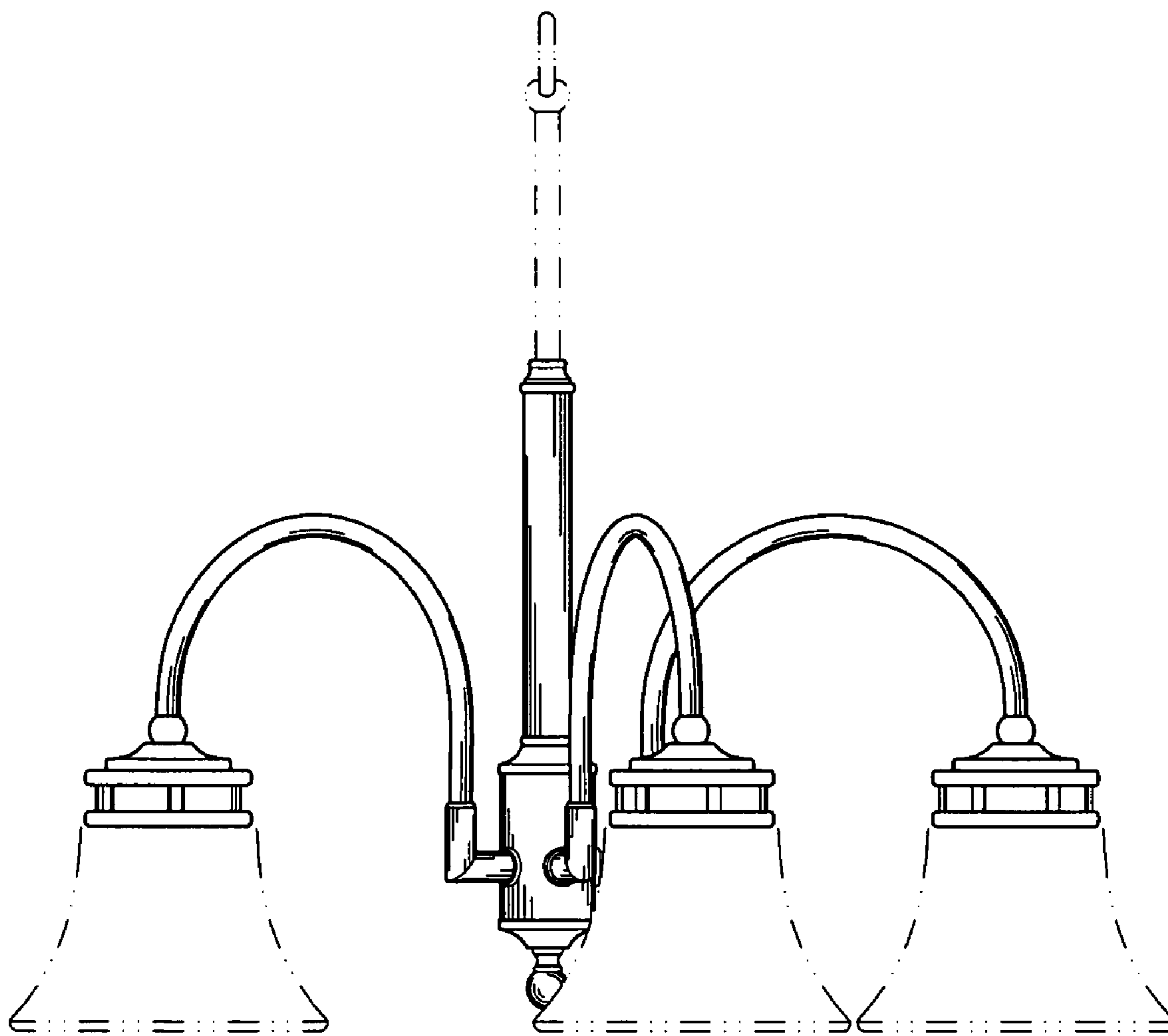


FIG. 5

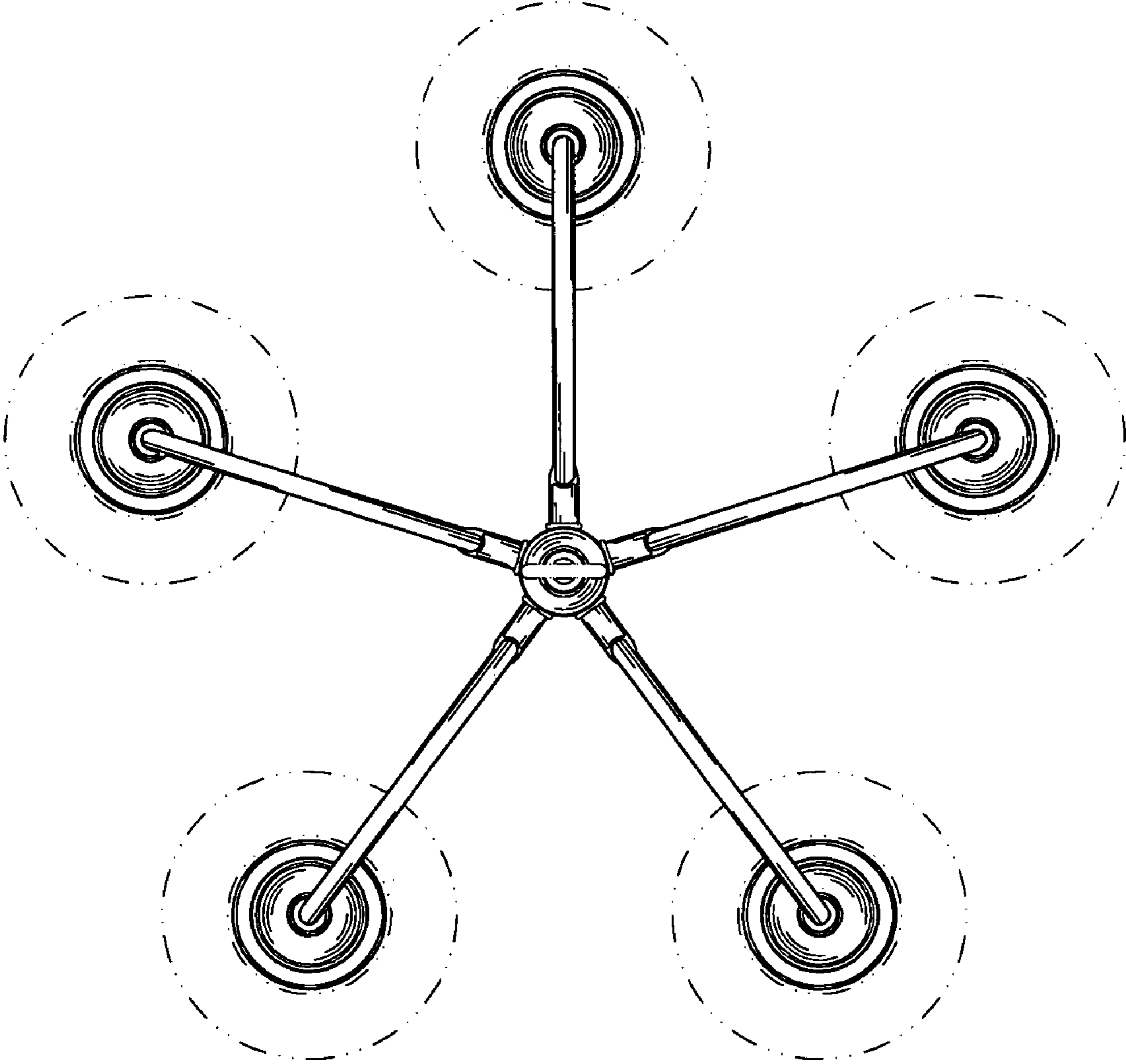


FIG. 6

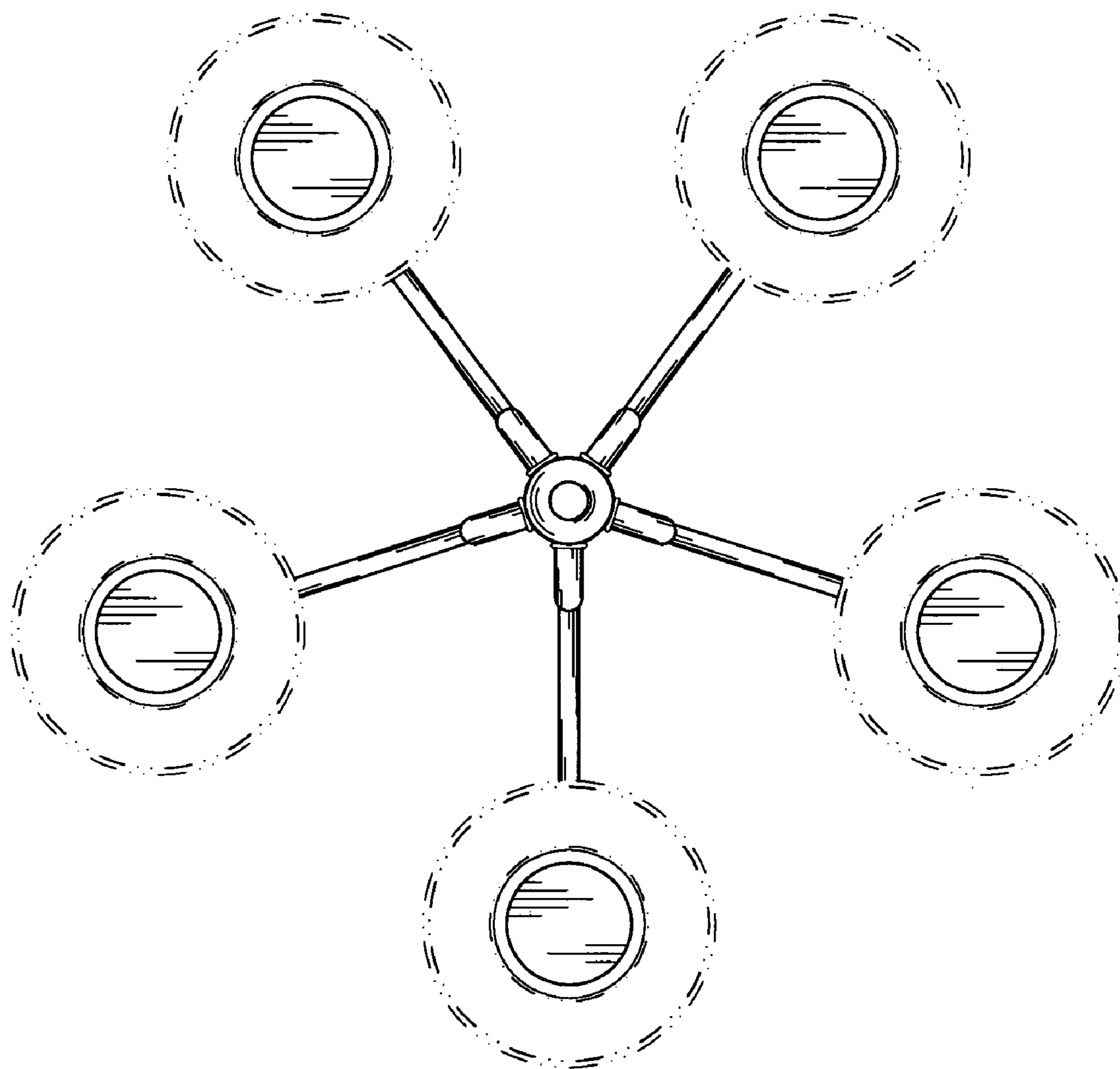


FIG. 7