



US00D613891S

(12) **United States Design Patent**
Huang

(10) **Patent No.:** **US D613,891 S**
(45) **Date of Patent:** **** Apr. 13, 2010**

(54) **TABLE LAMP**

(75) Inventor: **Yi-Jin Huang**, Taipei (TW)

(73) Assignee: **Razz Industrial Co., Ltd.**, Taipei (TW)

(**) Term: **14 Years**

(21) Appl. No.: **29/346,882**

(22) Filed: **Nov. 7, 2009**

(51) **LOC (9) Cl.** **26-05**

(52) **U.S. Cl.** **D26/63; D26/65**

(58) **Field of Classification Search** D26/61-65,
D26/107; 362/269, 275, 285, 371, 410, 413,
362/414, 418, 419, 427

See application file for complete search history.

(56) **References Cited**

U.S. PATENT DOCUMENTS

- D310,886 S * 9/1990 Gismondi et al. D26/65
- D345,027 S * 3/1994 Huang D26/65
- D419,255 S * 1/2000 Jehs et al. D26/65
- D439,358 S * 3/2001 Lin D26/65

- D441,476 S * 5/2001 Mendelsohn et al. D26/63
- D559,421 S * 1/2008 Osiecki et al. D26/63
- 2004/0105271 A1 * 6/2004 Chen 362/402

* cited by examiner

Primary Examiner—Clare E Heflin

(57) **CLAIM**

The ornamental design for a table lamp, as shown and described.

DESCRIPTION

FIG. 1 is a perspective view of a table lamp showing my new design;

FIG. 2 is a front elevational view thereof;

FIG. 3 is a rear elevational view thereof;

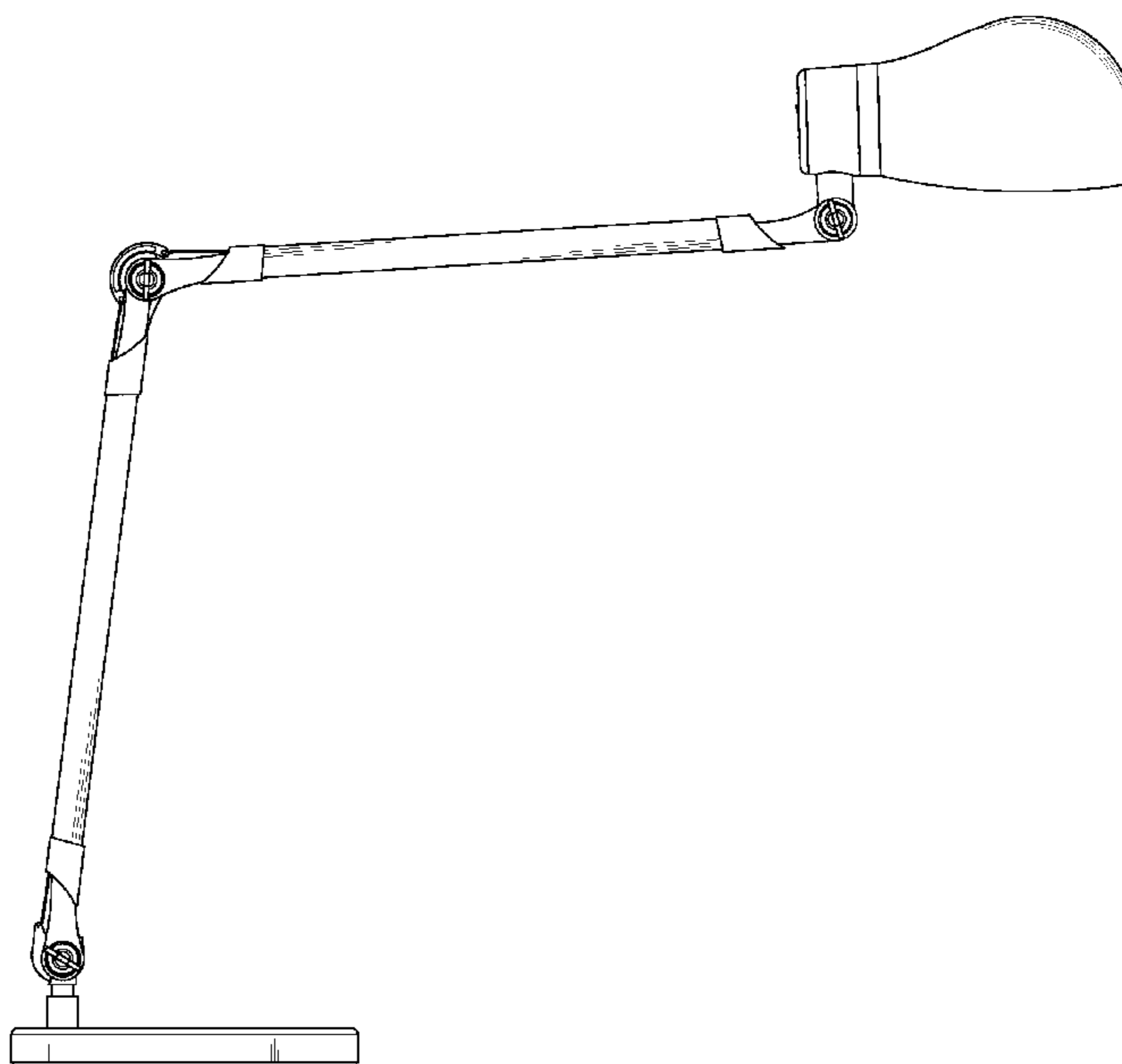
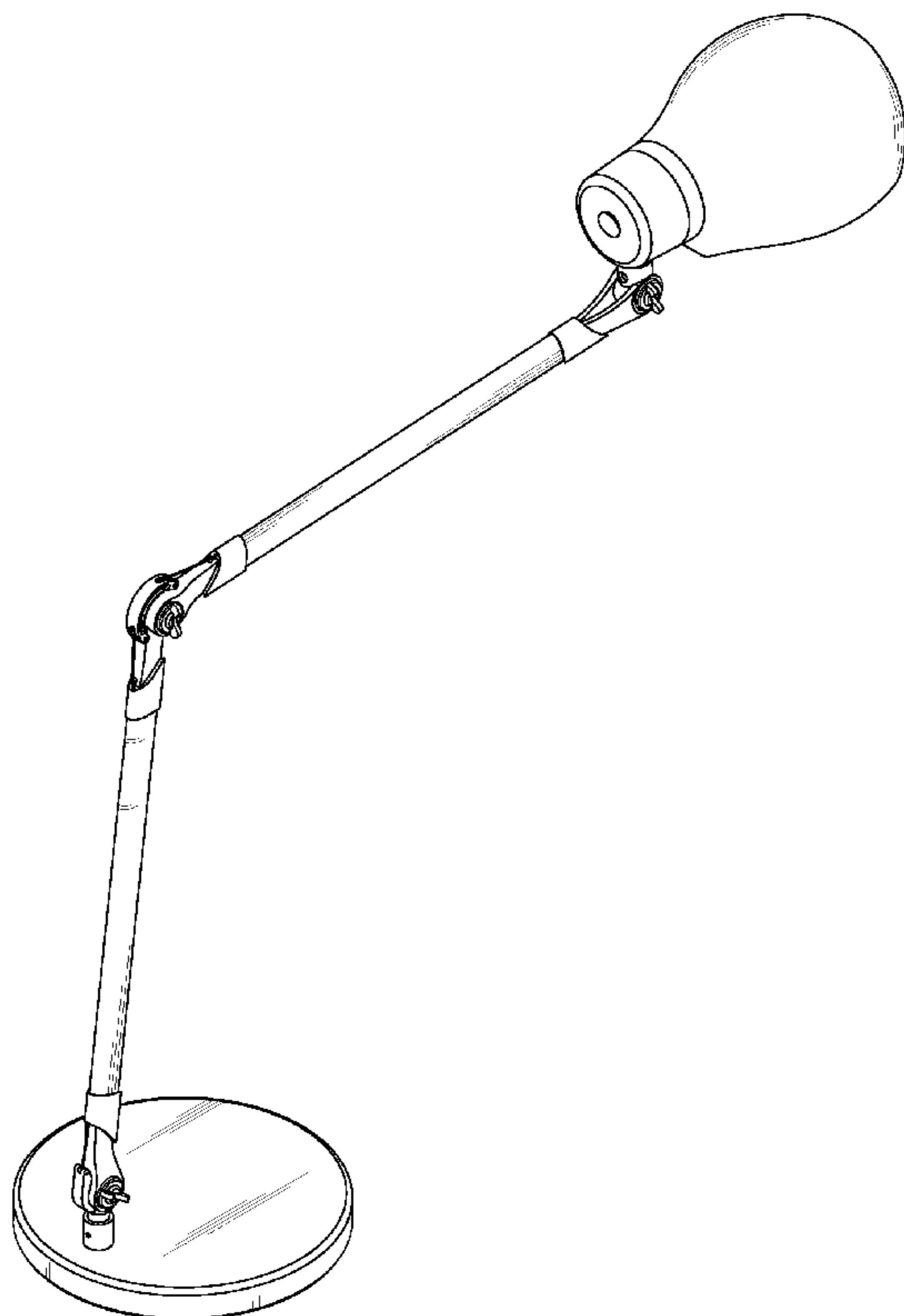
FIG. 4 is a left side elevational view thereof;

FIG. 5 is a right side elevational view thereof;

FIG. 6 is a top view thereof; and,

FIG. 7 is a bottom view.

1 Claim, 7 Drawing Sheets



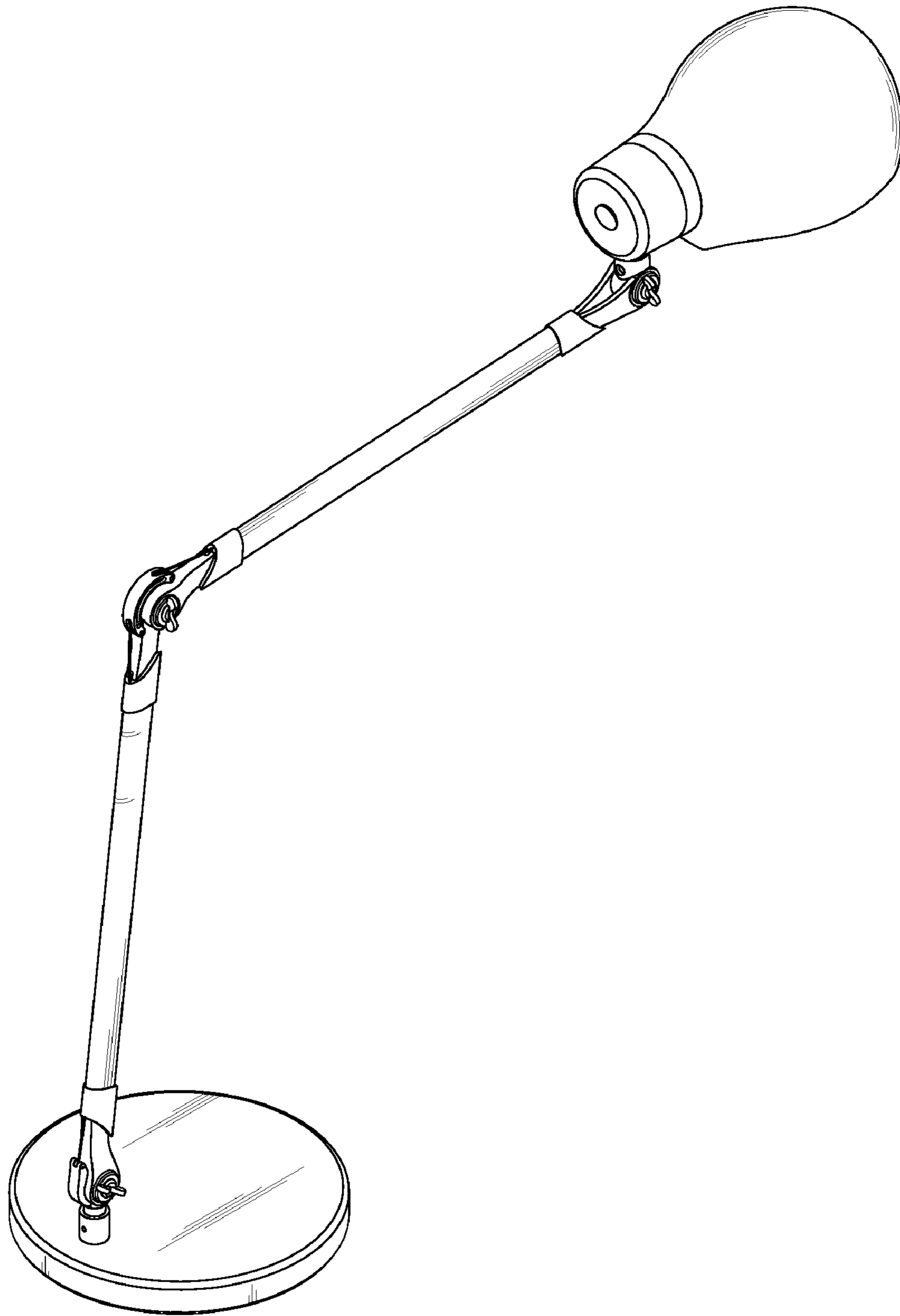


FIG. 1

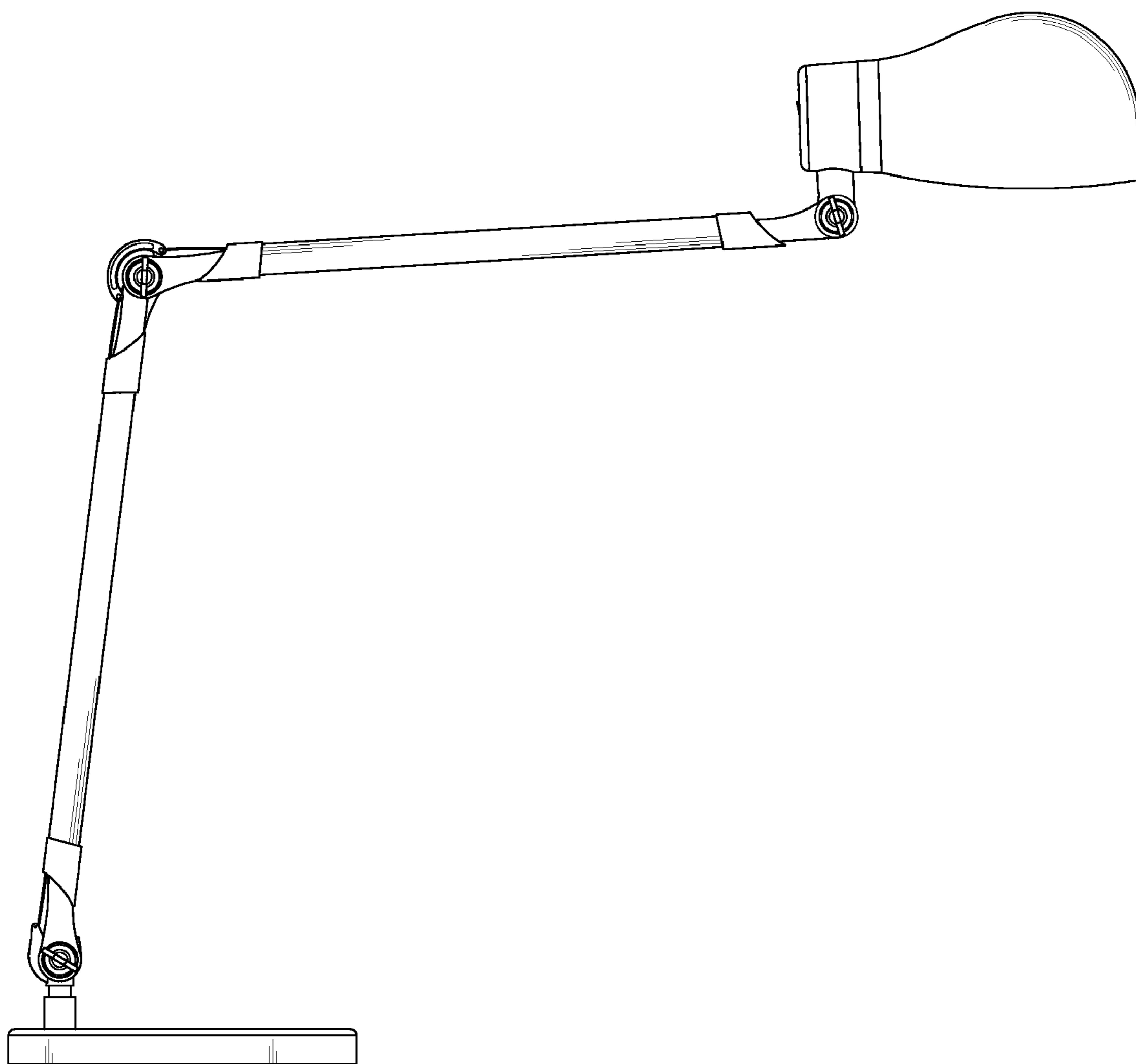


FIG. 2

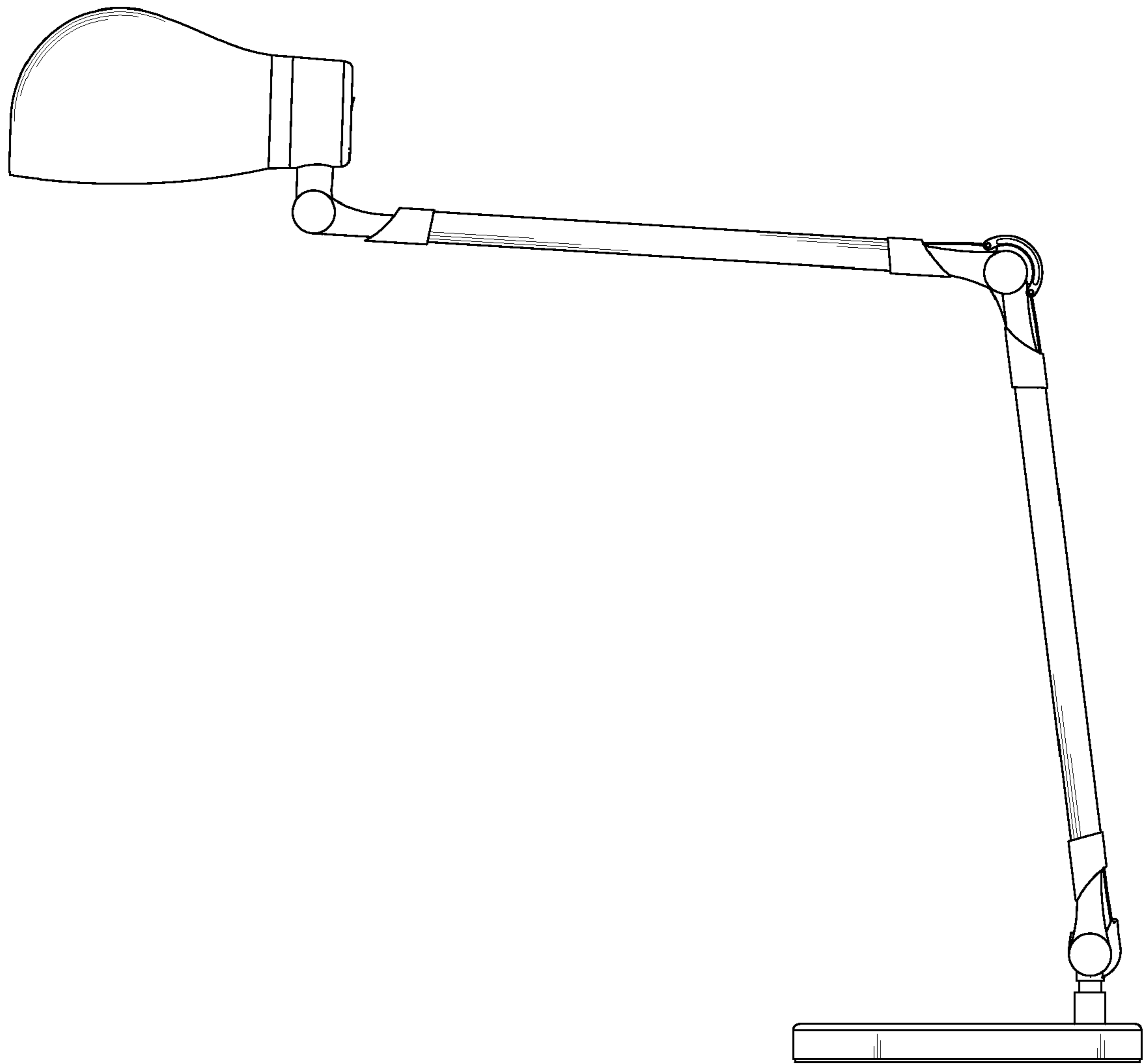


FIG. 3

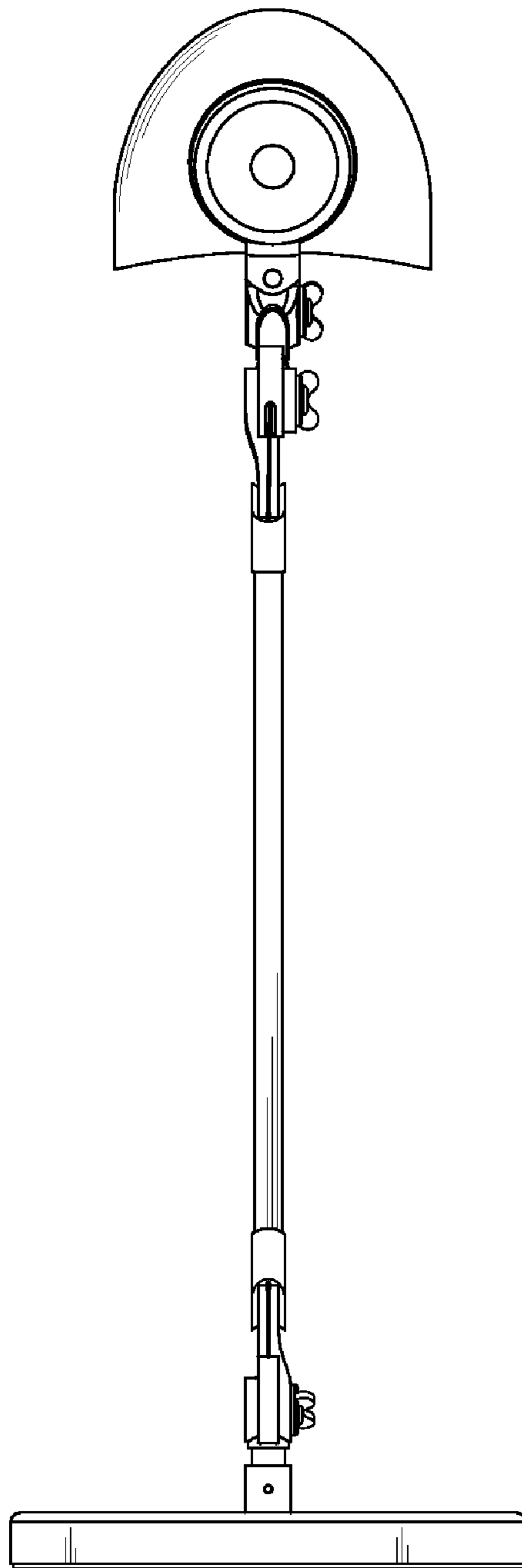


FIG. 4

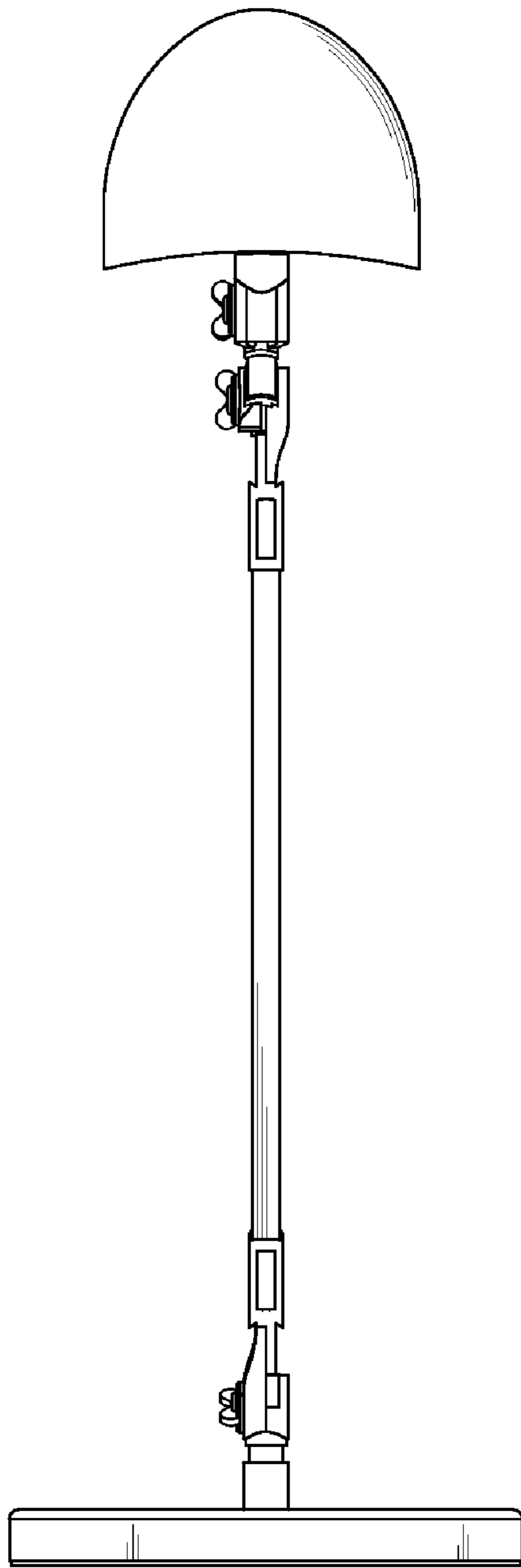


FIG. 5

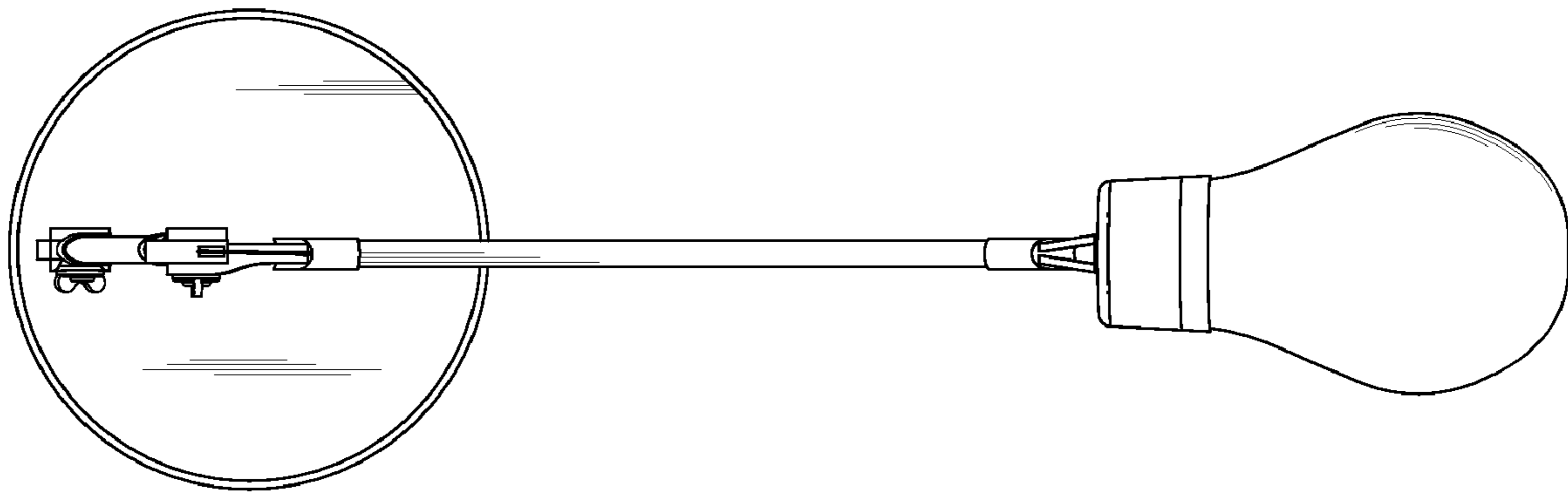


FIG. 6

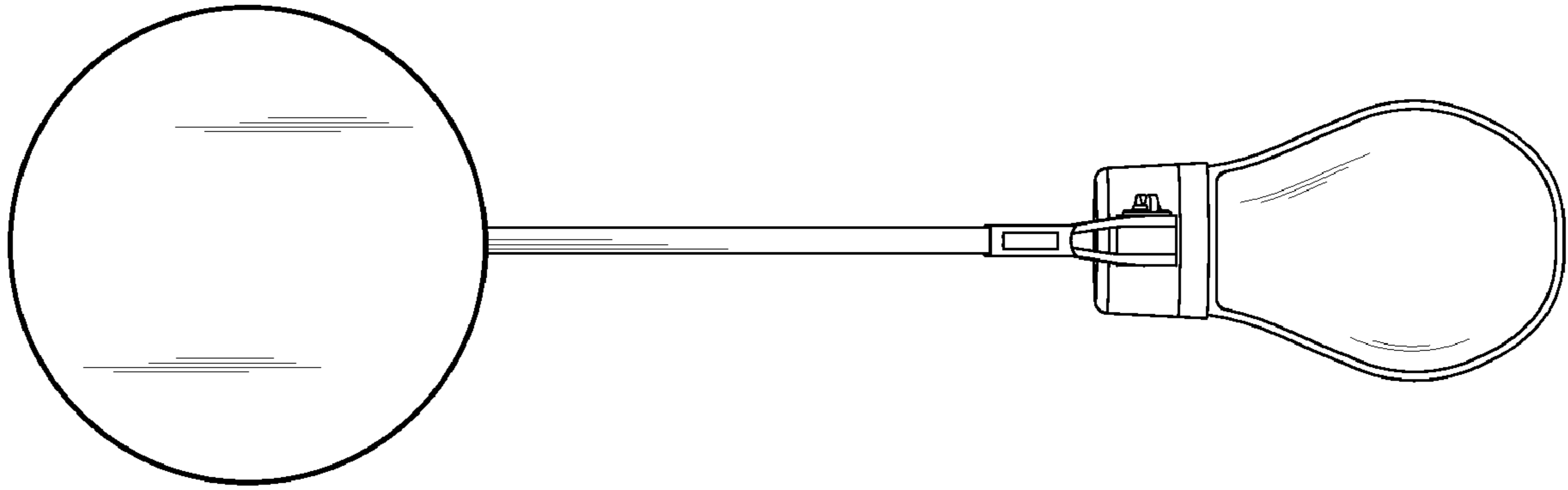


FIG. 7