



US00D613888S

(12) **United States Design Patent**
Hiraga et al.

(10) **Patent No.:** **US D613,888 S**

(45) **Date of Patent:** **** Apr. 13, 2010**

(54) **LIGHT EMITTING DIODE LAMP**

D590,523 S * 4/2009 Takahashi D26/2
D600,368 S * 9/2009 Bertram et al. D26/2

(75) Inventors: **Aiko Hiraga**, Kanagawa-ken (JP);
Asuka Wada, Kanagawa-ken (JP)

* cited by examiner

(73) Assignees: **Toshiba Lighting & Technology Corporation**, Kanagawa (JP);
Kabushiki Kaisha Toshiba, Tokyo (JP)

Primary Examiner—Marcus A Jackson
(74) *Attorney, Agent, or Firm*—J.C. Patents

(**) Term: **14 Years**

(57) **CLAIM**

(21) Appl. No.: **29/350,939**

The ornamental design for a light emitting diode lamp, as shown and described.

(22) Filed: **Nov. 25, 2009**

DESCRIPTION

(30) **Foreign Application Priority Data**

May 26, 2009 (JP) 2009-011761

FIG. 1 is a perspective view of a light emitting diode lamp showing our new design;

(51) **LOC (9) Cl.** **26-04**

FIG. 2 is a front view thereof;

(52) **U.S. Cl.** **D26/2**

FIG. 3 is a rear view thereof;

(58) **Field of Classification Search** D26/1-4;
313/313, 315, 316, 317, 318, 493; 315/52,
315/53, 56, 57, 58

FIG. 4 is a left side view thereof;

FIG. 5 is a right side view thereof;

See application file for complete search history.

FIG. 6 is a top view thereof; and,

FIG. 7 is a bottom view thereof.

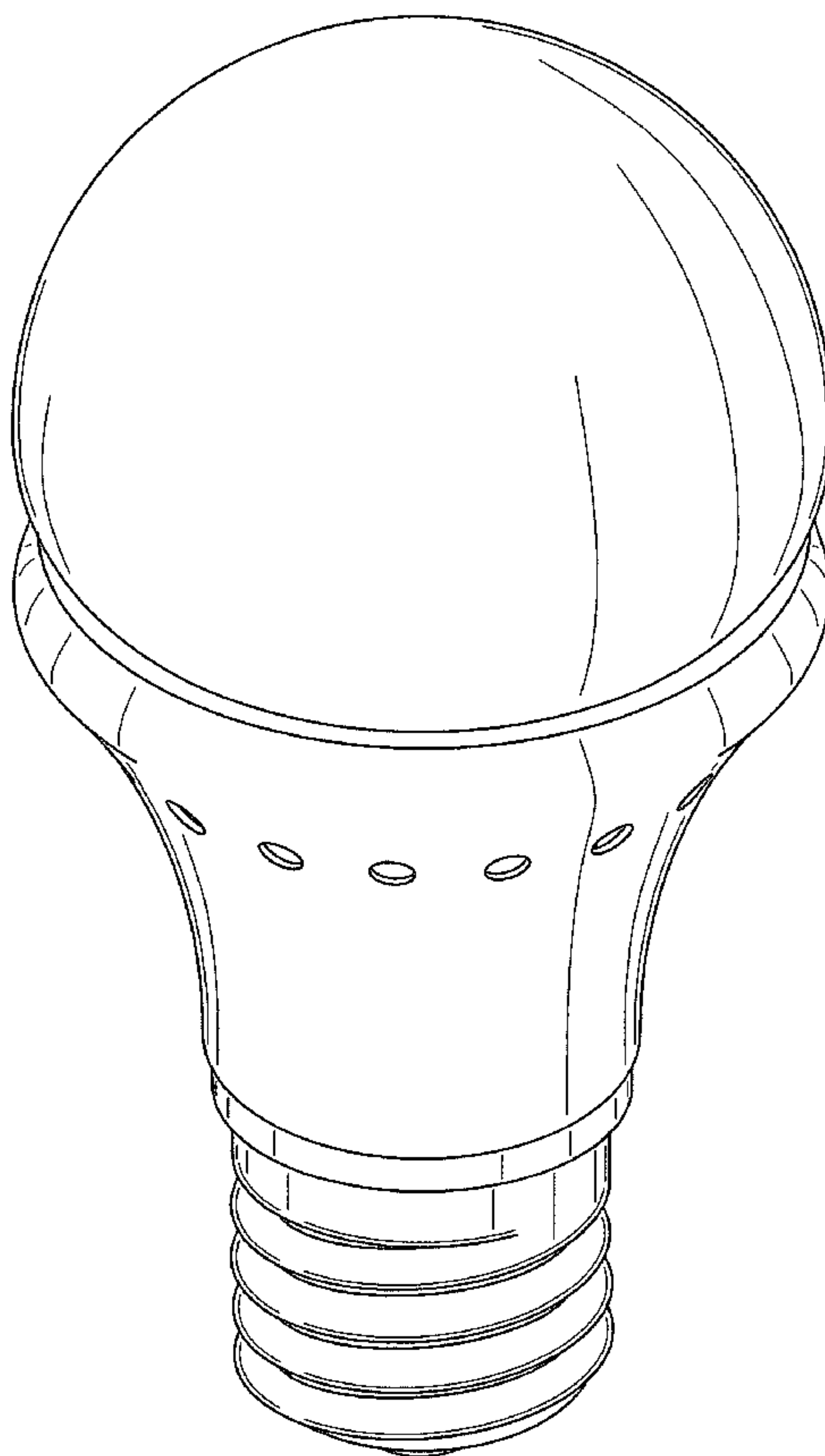
The cover of the claimed light emitting diode lamp covering the light sources thereof is pervious to light.

(56) **References Cited**

U.S. PATENT DOCUMENTS

D531,741 S * 11/2006 Takahashi D26/2
D553,267 S * 10/2007 Yuen D26/2

1 Claim, 7 Drawing Sheets



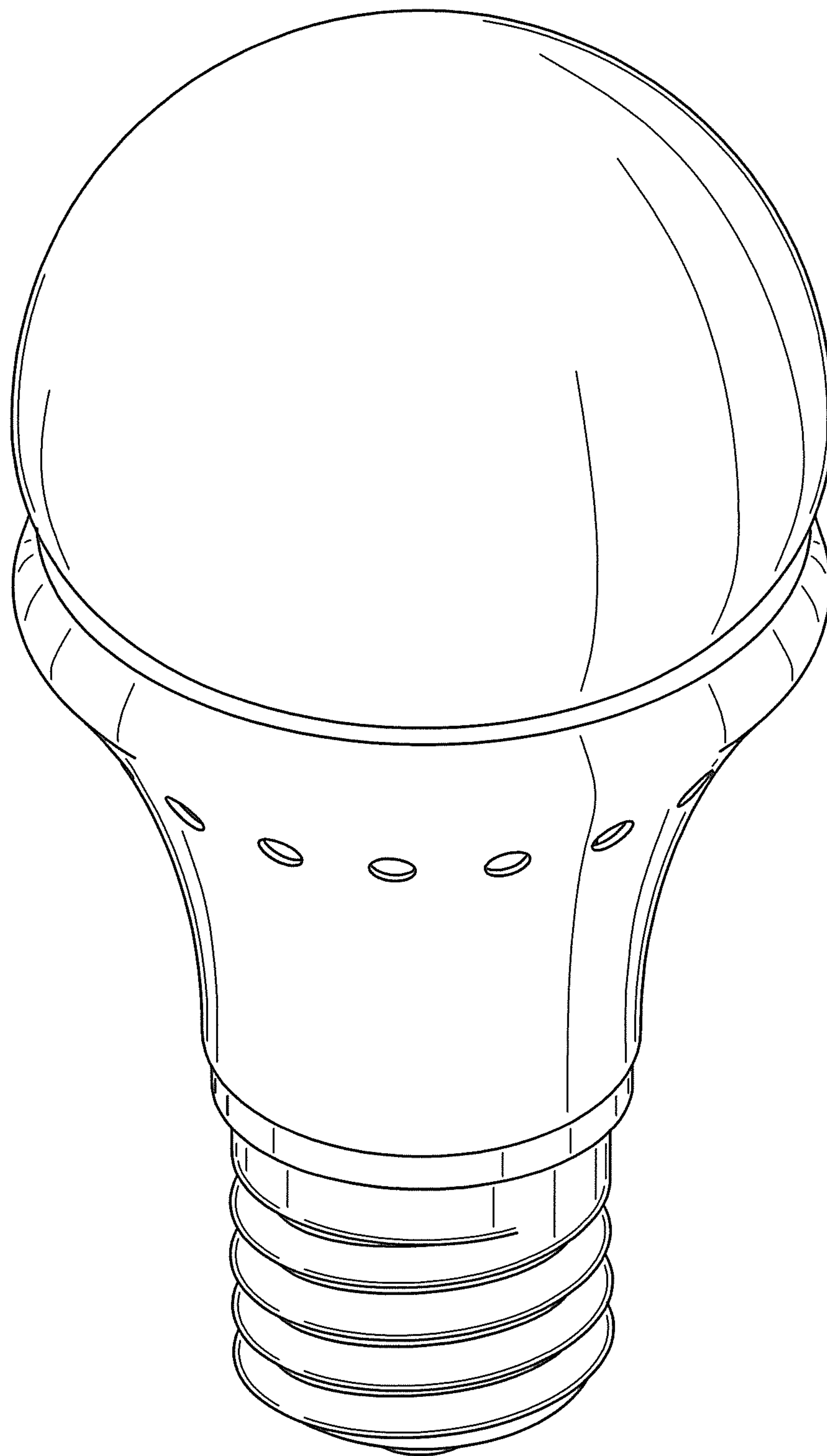


FIG. 1

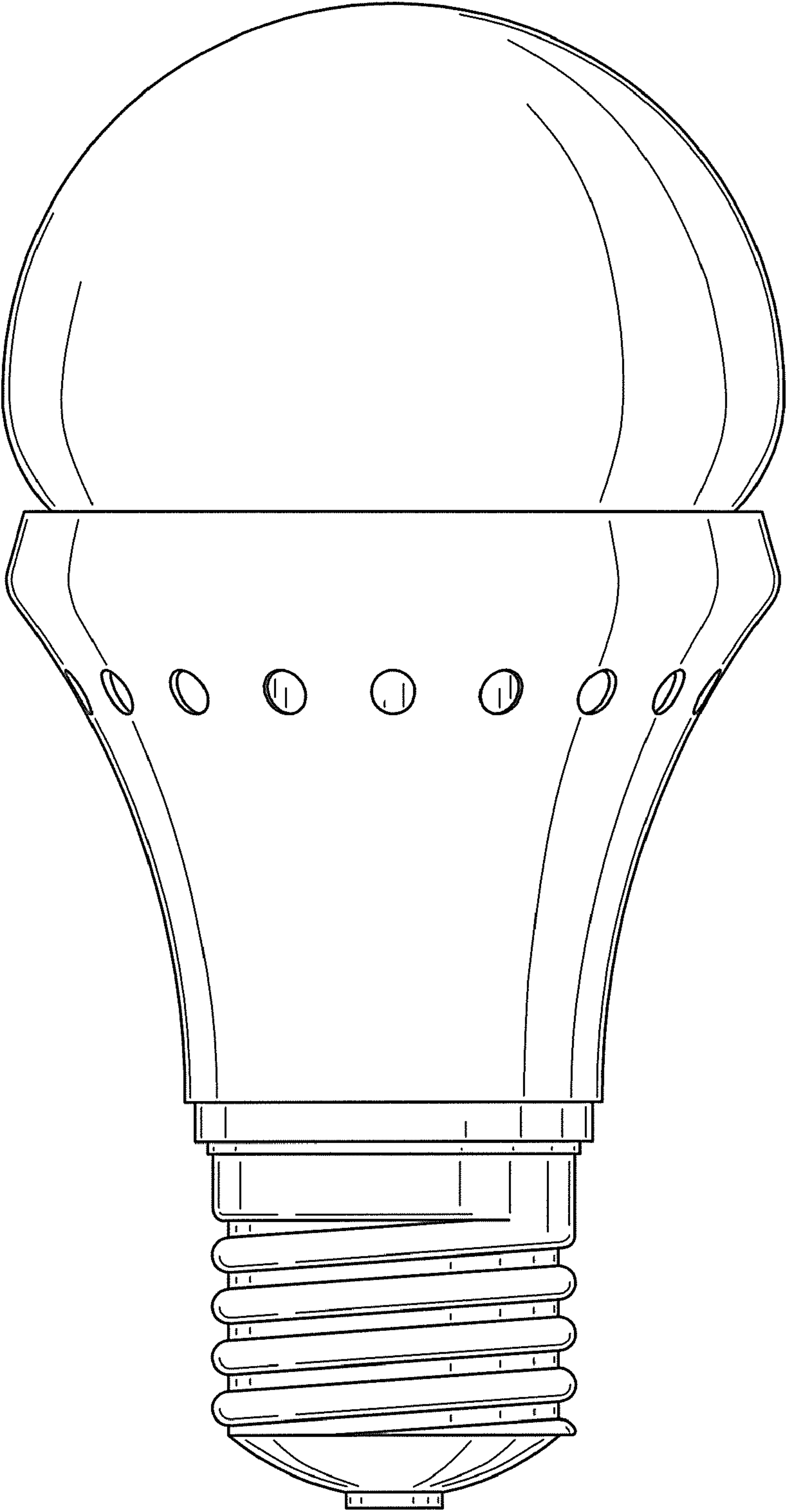


FIG. 2

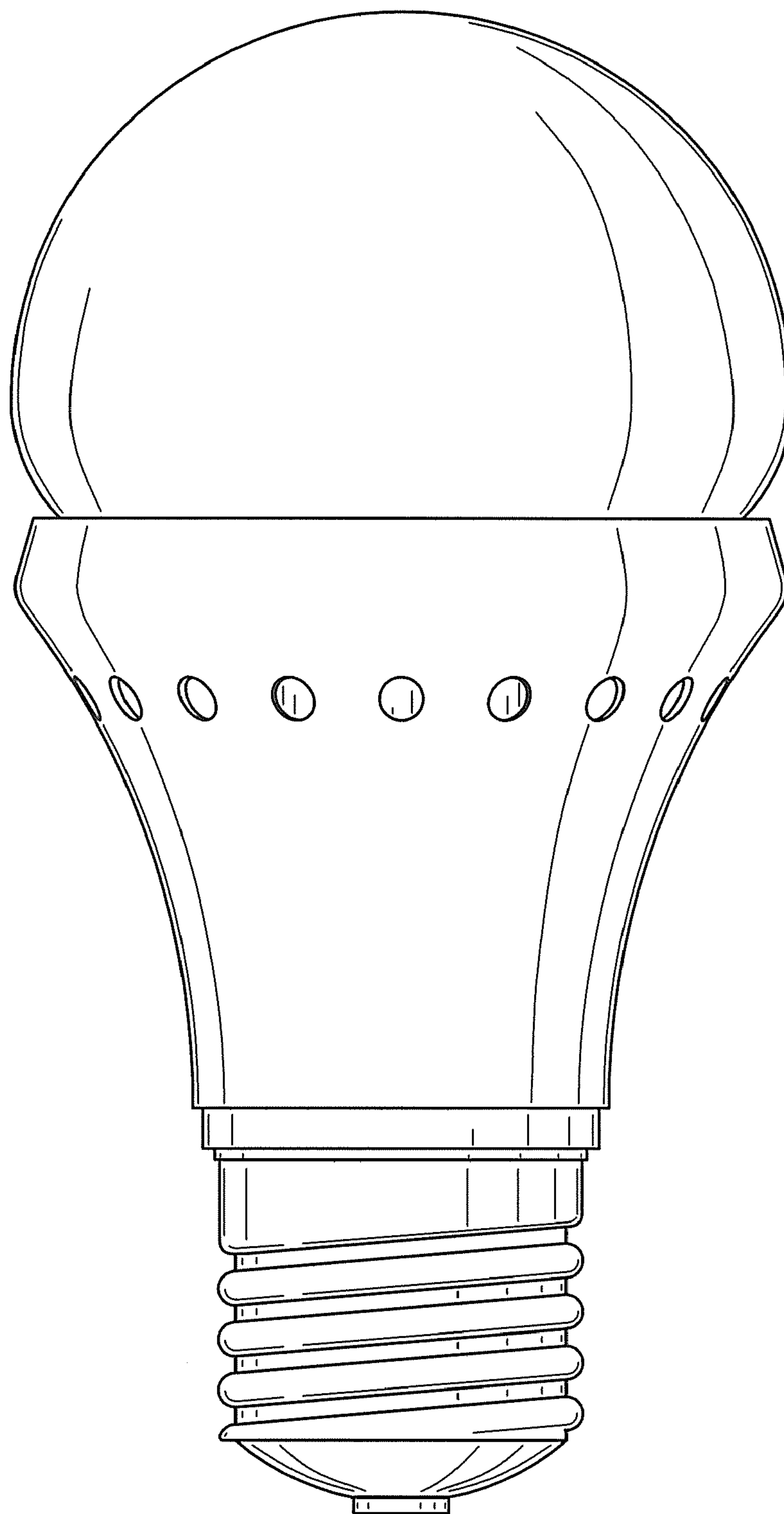


FIG. 3

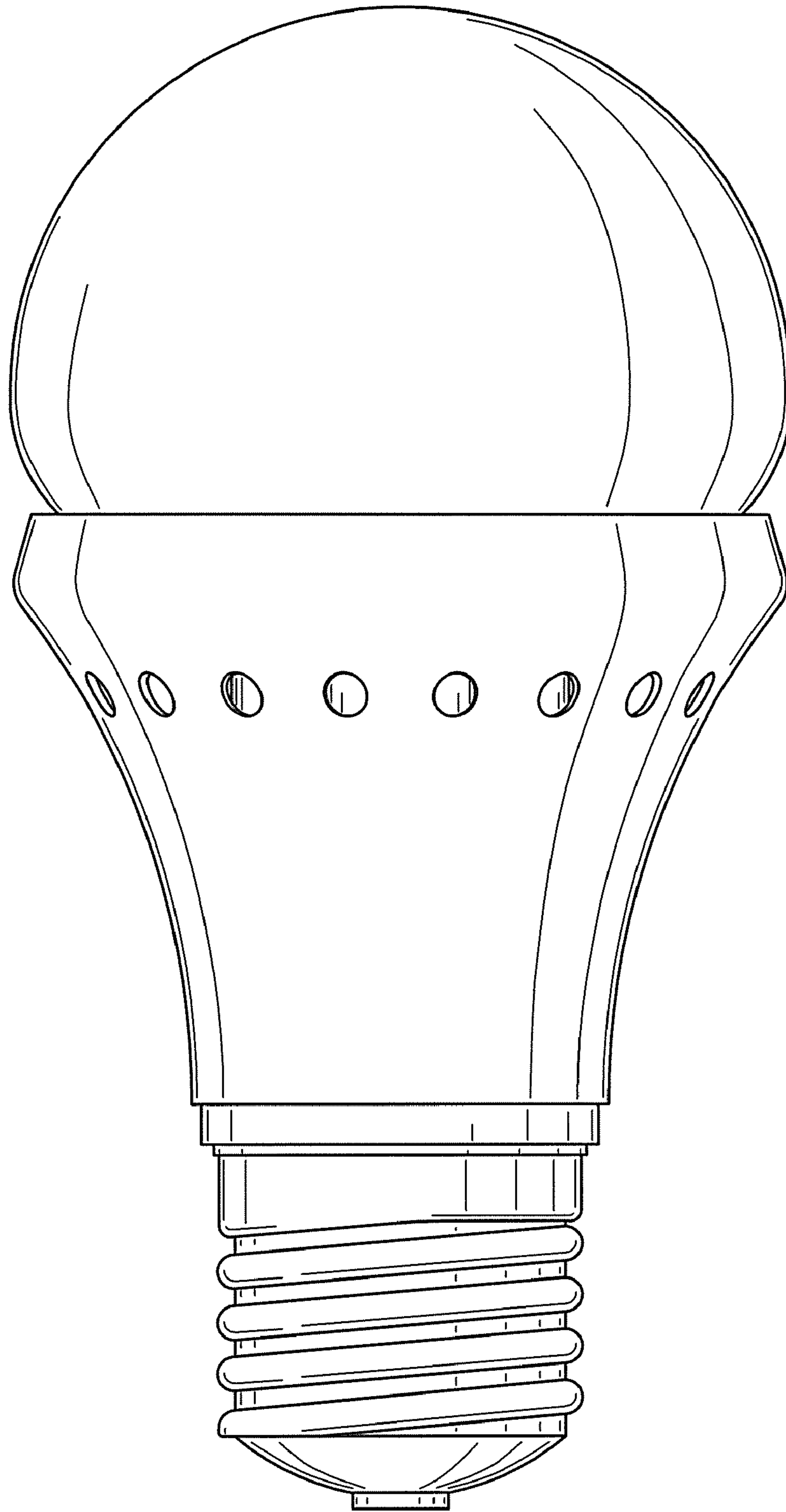


FIG. 4

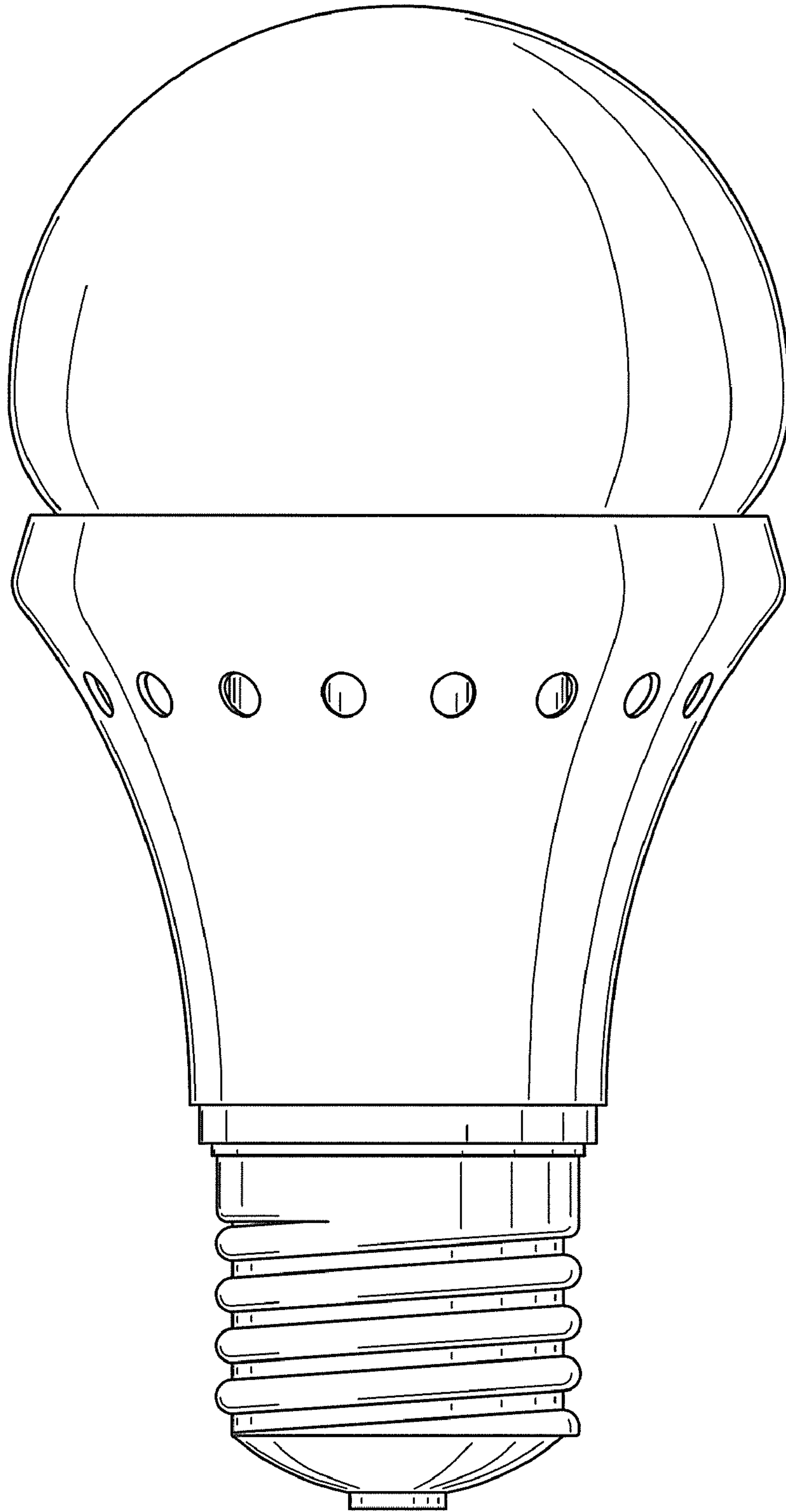


FIG. 5

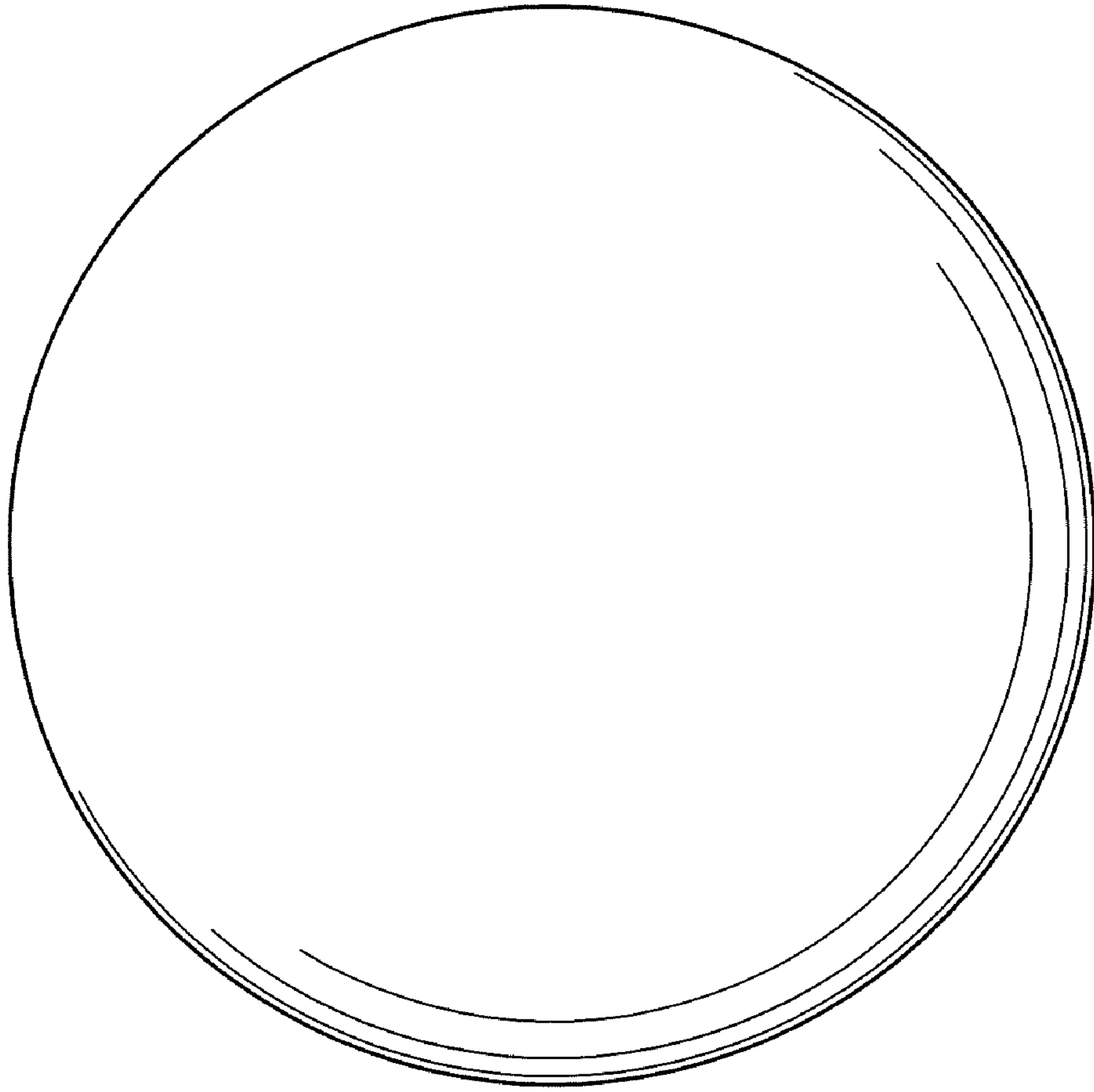


FIG. 6

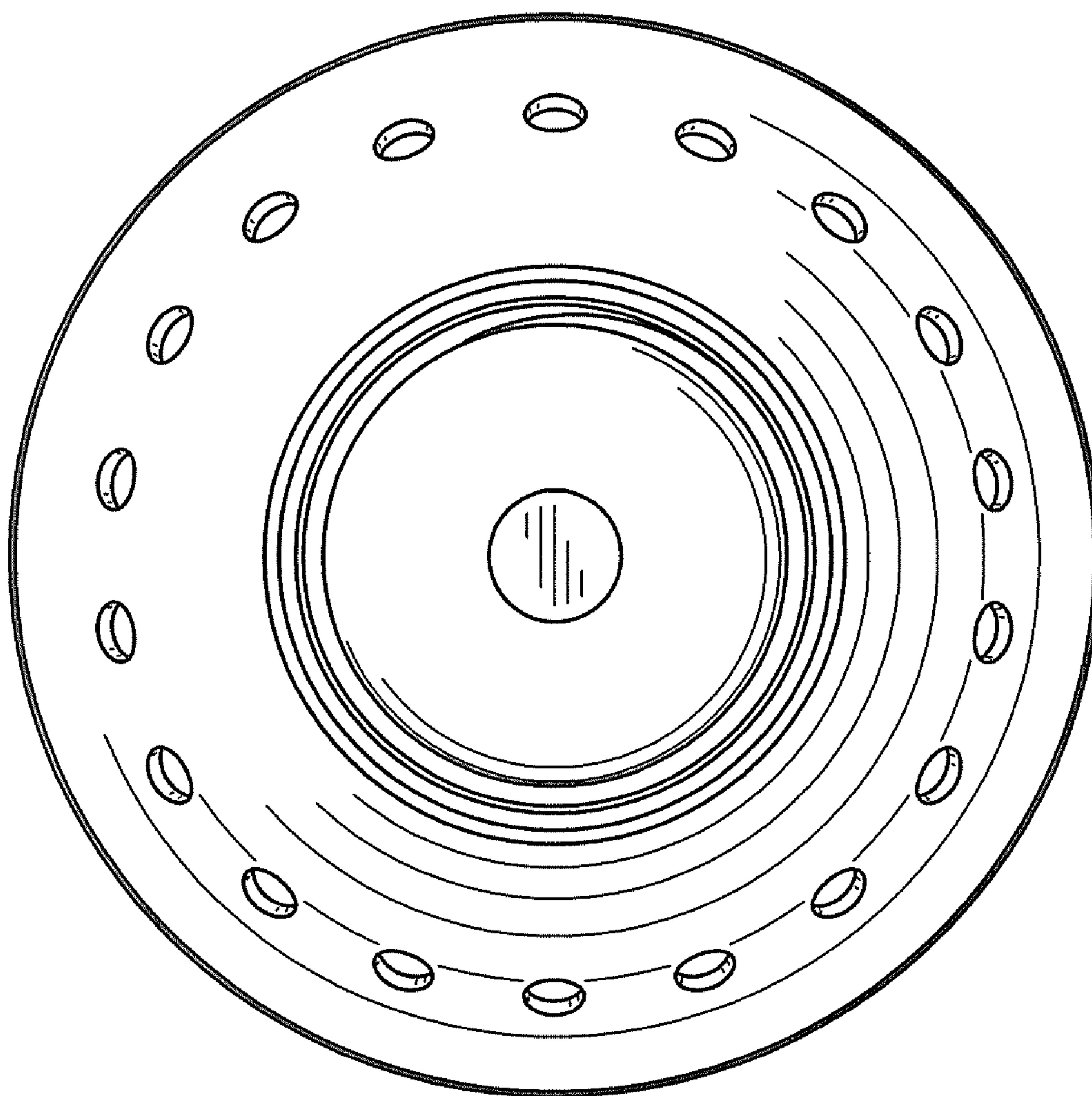


FIG. 7