



US00D613887S

(12) **United States Design Patent**  
**Lee et al.**

(10) **Patent No.:** **US D613,887 S**  
(45) **Date of Patent:** **\*\* Apr. 13, 2010**

(54) **LIGHT EMITTING DIODE LAMP**  
(75) Inventors: **Jiann-Hung Lee**, Taipei County (TW);  
**Ming-Chih Huang**, Taipei County (TW)

(73) Assignee: **Cal-Comp Electronics & Communications Company Limited**, Taipei County (TW)

(\*\*) Term: **14 Years**

(21) Appl. No.: **29/346,805**

(22) Filed: **Nov. 6, 2009**

(51) **LOC (9) Cl.** ..... **26-04**

(52) **U.S. Cl.** ..... **D26/2**

(58) **Field of Classification Search** ..... D26/1-4;  
313/313, 315, 316, 317, 318, 493; 315/52,  
315/53, 56, 57, 58

See application file for complete search history.

(56) **References Cited**

**U.S. PATENT DOCUMENTS**

D508,575 S *	8/2005	Buschmann et al.	.....	D26/2
D528,227 S *	9/2006	Chou et al.	.....	D26/2
D531,741 S *	11/2006	Takahashi	.....	D26/2
D534,665 S *	1/2007	Egawa et al.	.....	D26/2
D538,950 S *	3/2007	Maxik	.....	D26/2
D538,953 S *	3/2007	Mama	.....	D26/2

D553,267 S *	10/2007	Yuen	.....	D26/2
D560,286 S *	1/2008	Maxik et al.	.....	D26/2
D566,300 S *	4/2008	Lo	.....	D26/2
D590,523 S *	4/2009	Takahashi	.....	D26/2

\* cited by examiner

*Primary Examiner*—Marcus A Jackson

(74) *Attorney, Agent, or Firm*—Jianq Chyun IP Office

(57) **CLAIM**

The ornamental design for a light emitting diode lamp, as shown and described.

**DESCRIPTION**

FIG. 1 is a perspective view of a light emitting diode lamp showing the new design;

FIG. 2 is a front view thereof;

FIG. 3 is a rear view thereof;

FIG. 4 is a left side view thereof;

FIG. 5 is a right side view thereof;

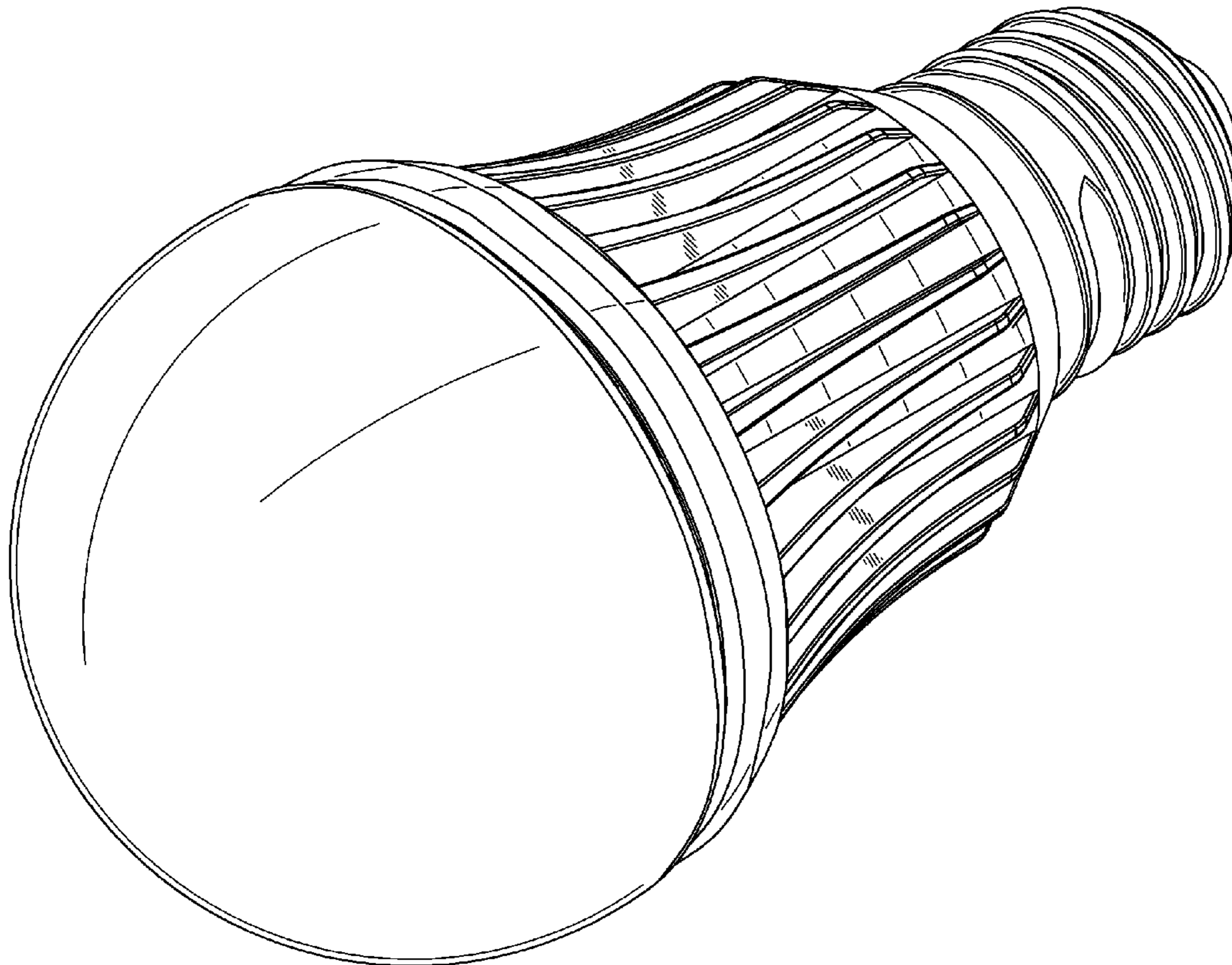
FIG. 6 is a top view thereof;

FIG. 7 is a bottom view thereof;

FIG. 8 is a cross-sectional view taken along line 8—8 in FIG. 6; and,

FIG. 9 is an exploded view thereof.

**1 Claim, 9 Drawing Sheets**



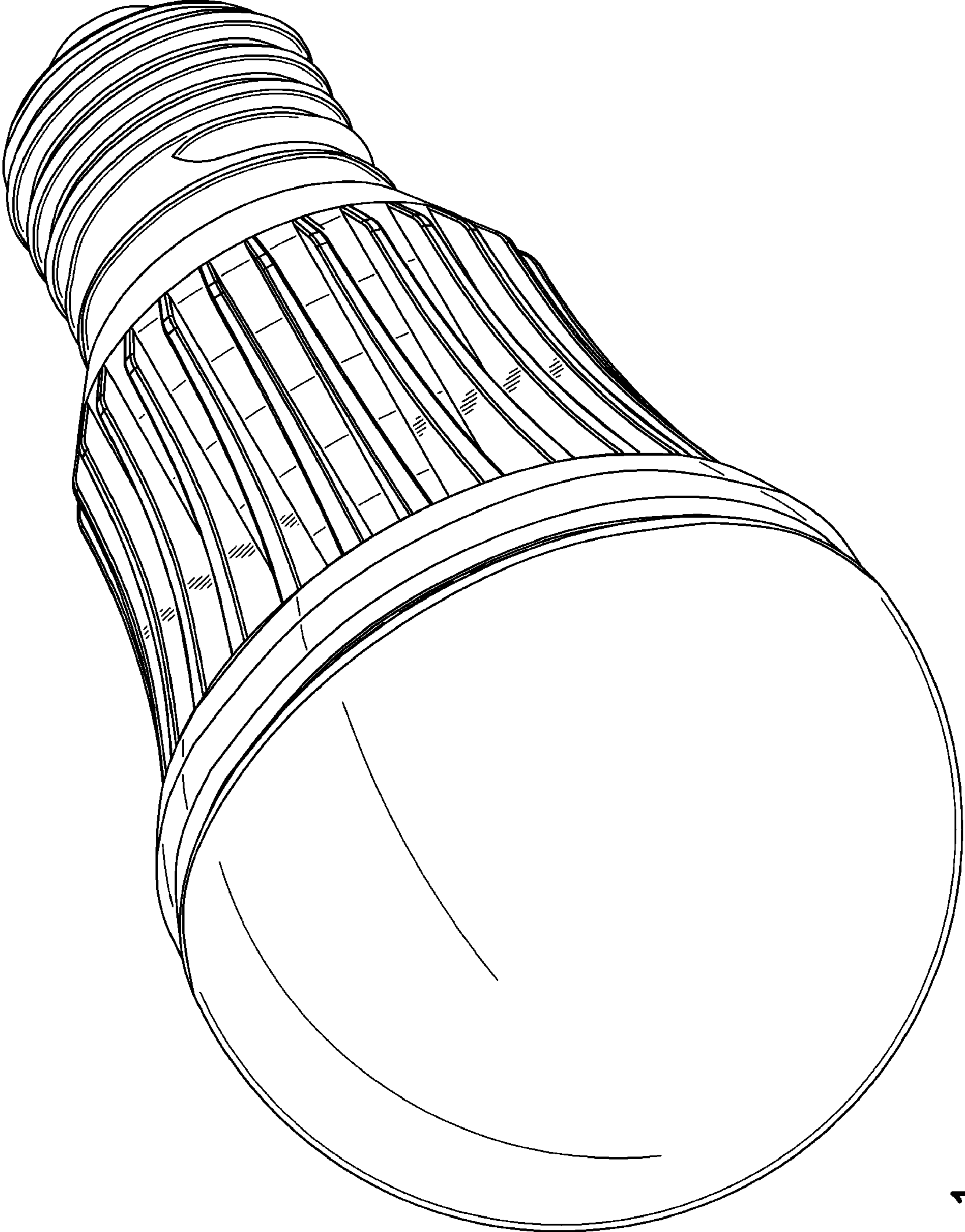


FIG. 1

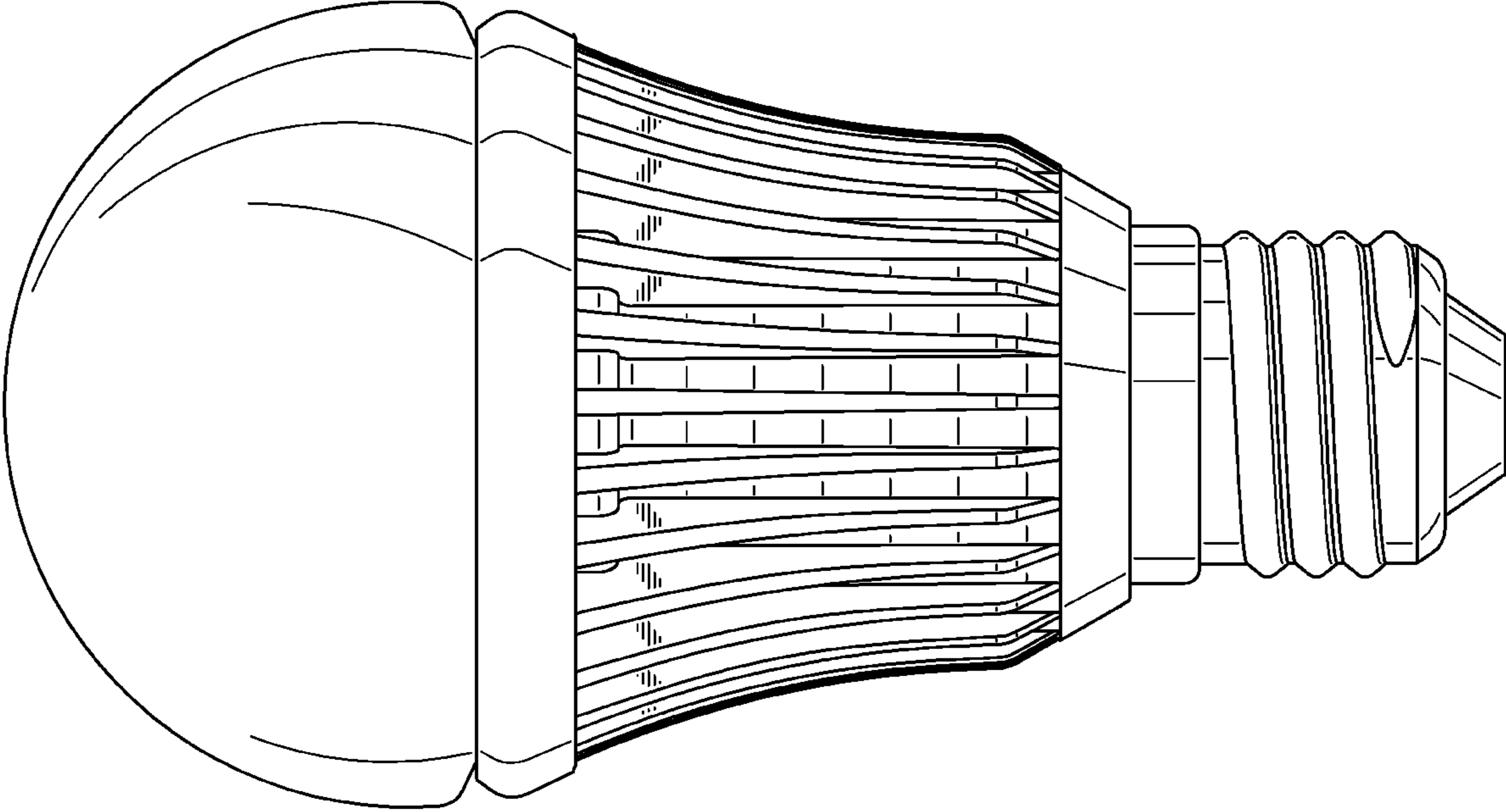


FIG. 2

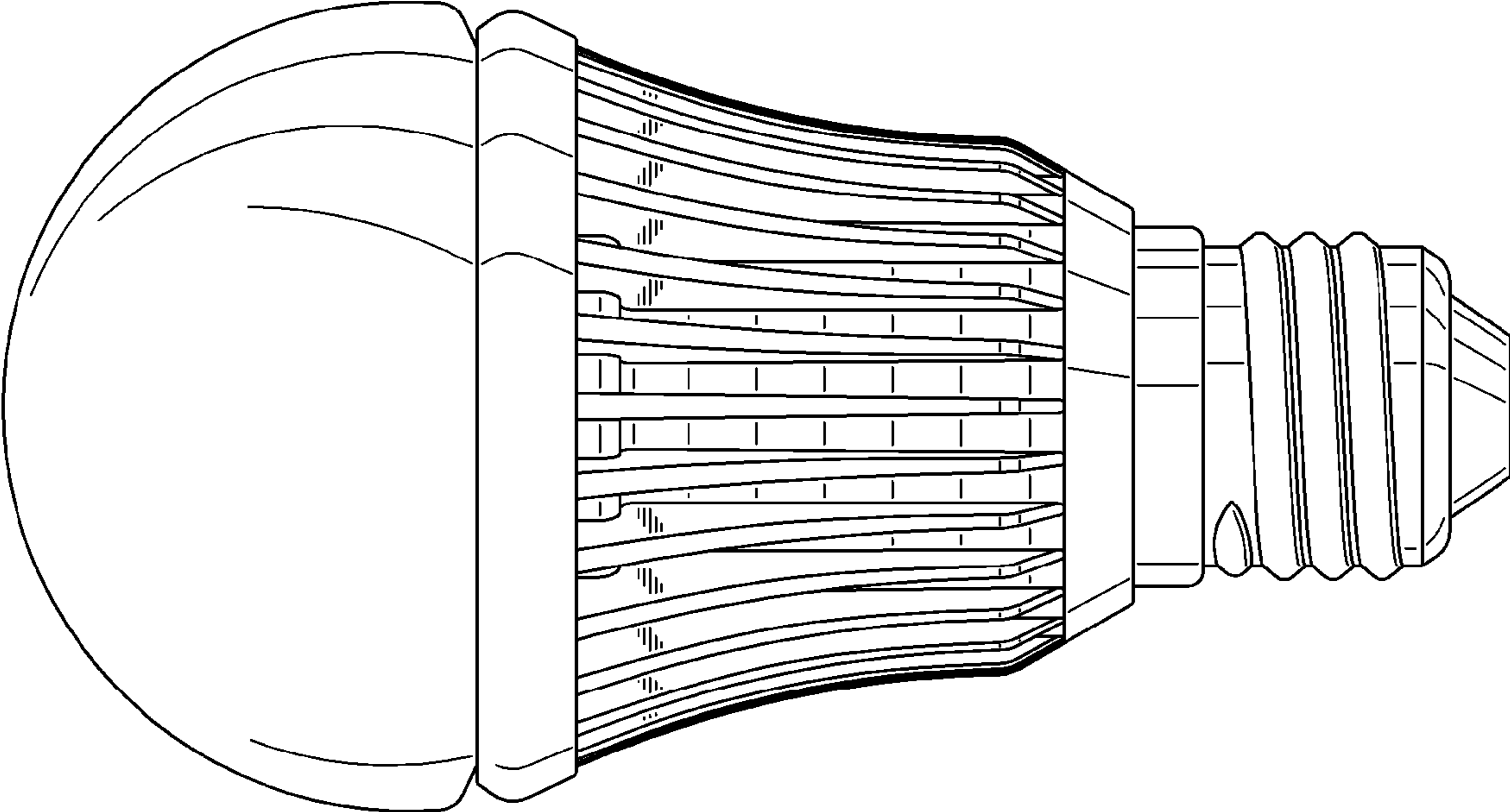


FIG. 3

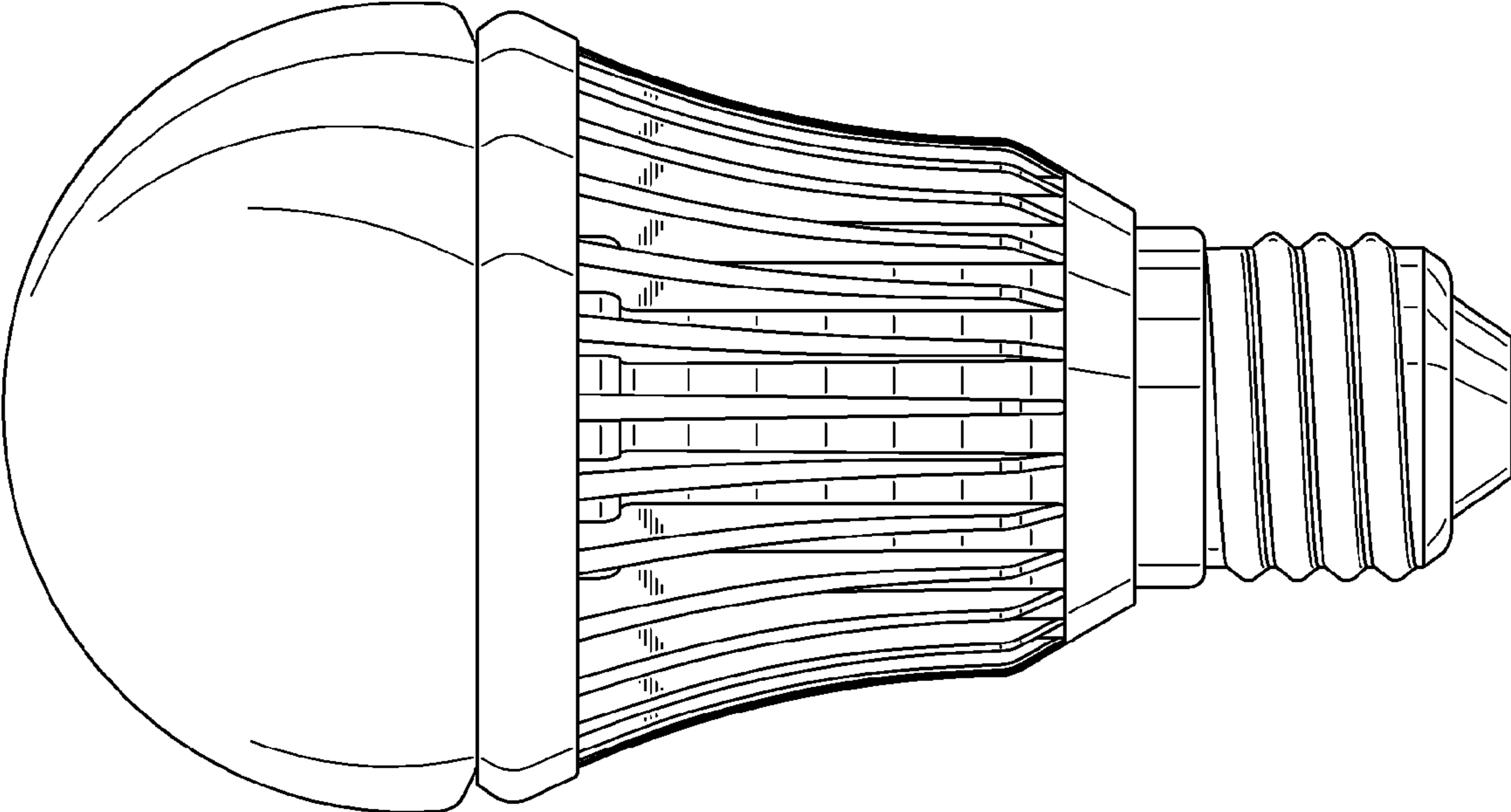


FIG. 4

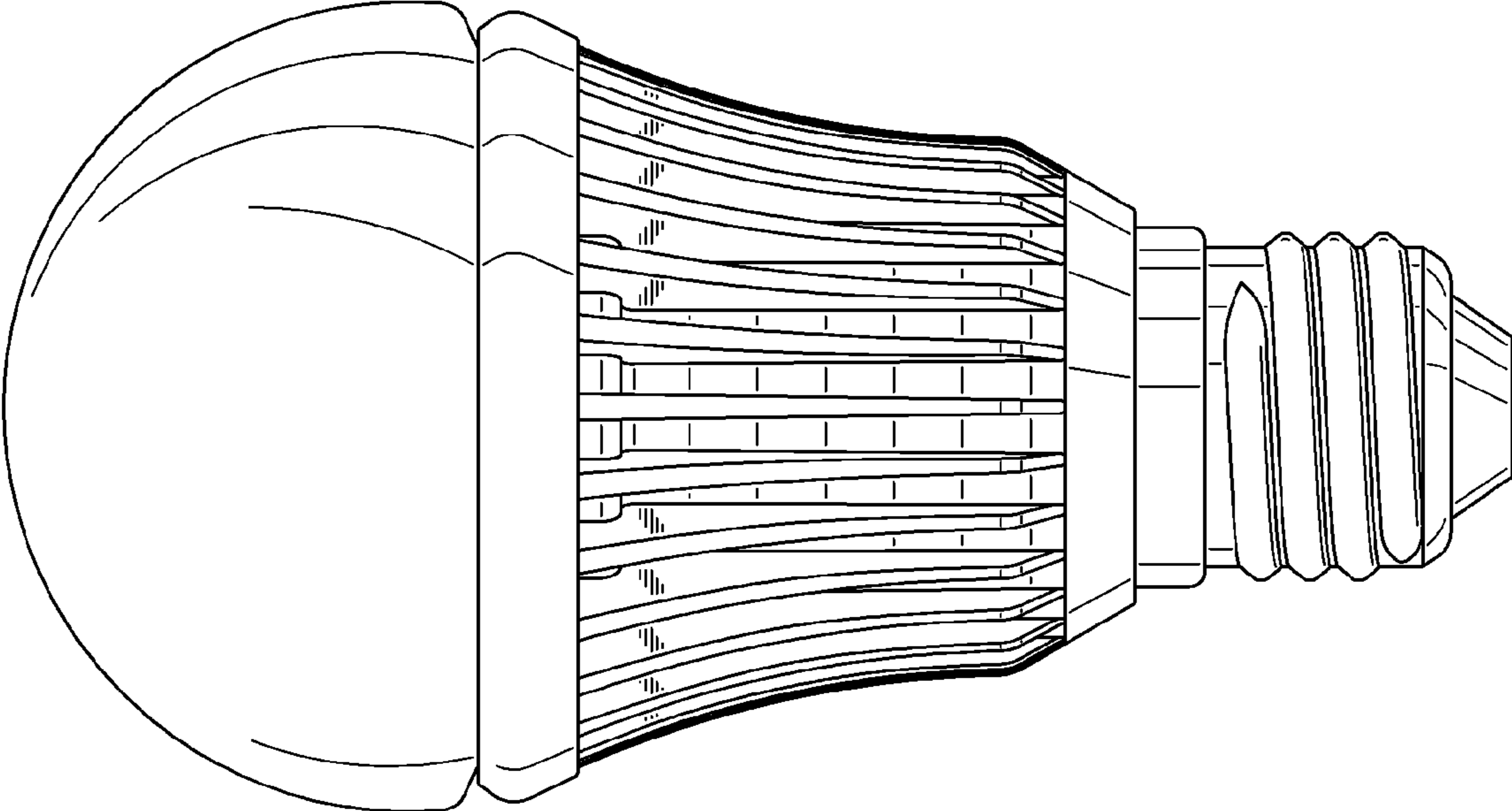


FIG. 5

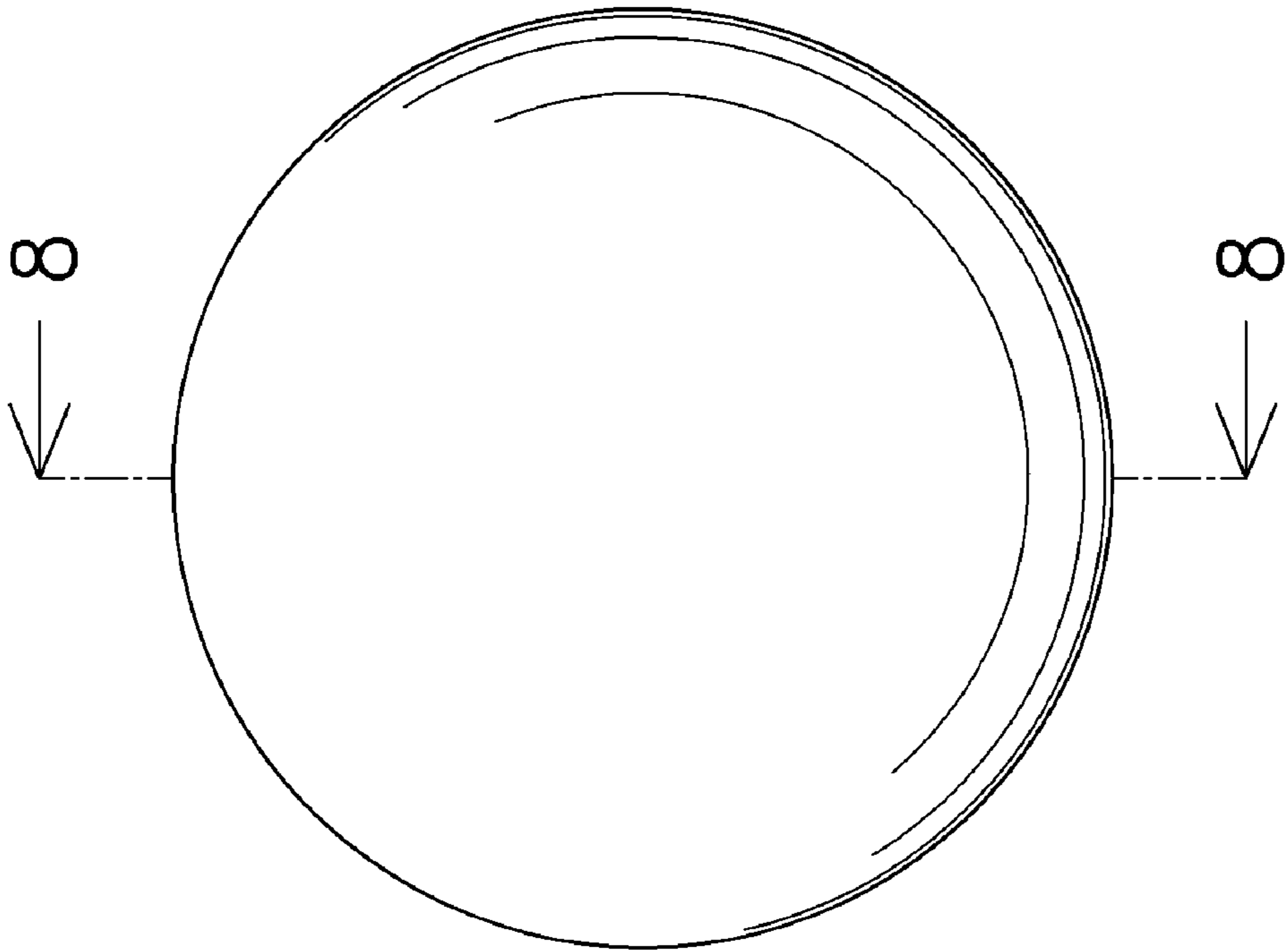


FIG. 6

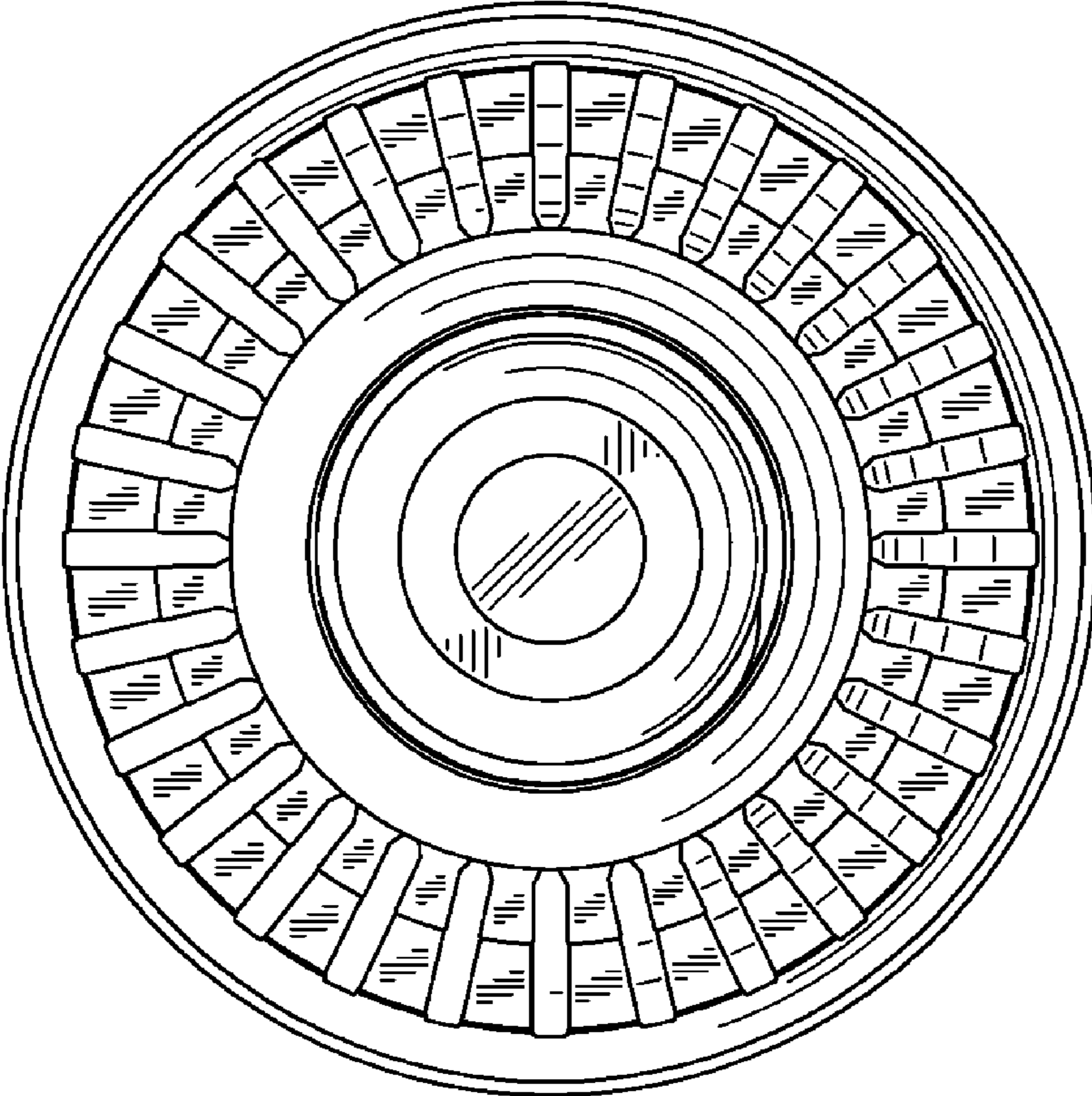


FIG. 7



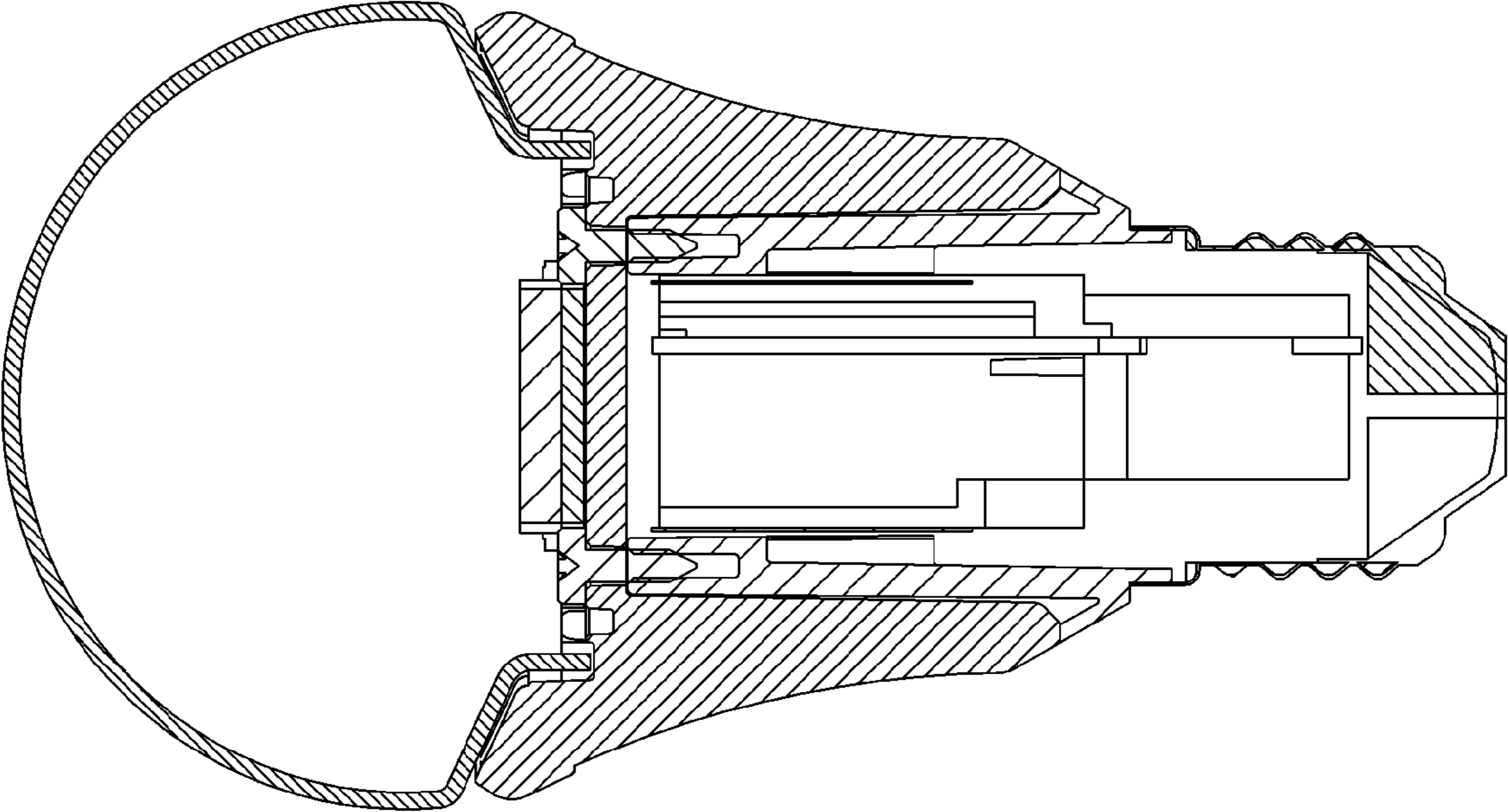


FIG. 8

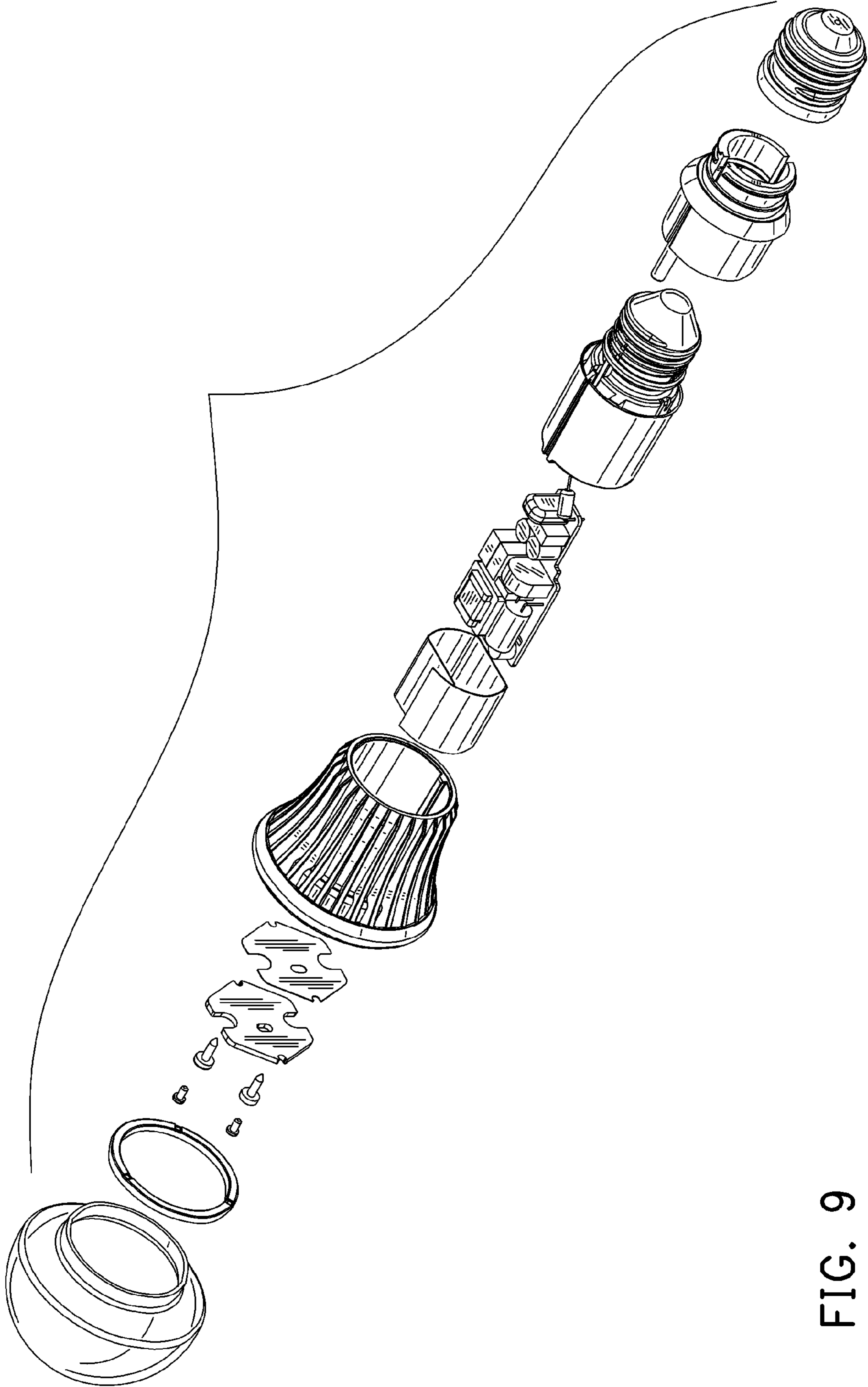


FIG. 9