



US00D613886S

(12) **United States Design Patent**
Lodhie

(10) **Patent No.:** **US D613,886 S**
(45) **Date of Patent:** **** Apr. 13, 2010**

(54) **LED LIGHT MODULE WITH CUTOUTS**

4,868,719 A 9/1989 Kouchi et al.
4,907,361 A 3/1990 Villard
4,965,457 A 10/1990 Wrobel
5,055,984 A 10/1991 Hung et al.
D326,532 S 5/1992 Hume et al.

(76) Inventor: **Pervaiz Lodhie**, 12 Upper Blackwater Canyon Rd., Rolling Hills, CA (US) 90274

(Continued)

(**) Term: **14 Years**

OTHER PUBLICATIONS

(21) Appl. No.: **29/318,604**

Jiashan Ever Advanced Technologies Co., Ltd. LED Modules shown on web page from the Alibaba Manufacturing Directory Nov. 20, 2009.*

(22) Filed: **Jun. 10, 2008**

(51) **LOC (9) Cl.** **26-04**

(Continued)

(52) **U.S. Cl.** **D26/1; D26/71**

(58) **Field of Classification Search** D26/1, D26/24, 67, 68, 71, 72, 80; 362/249.02, 362/249.03, 249.06, 294; 438/28

Primary Examiner—Clare E Heflin
(74) *Attorney, Agent, or Firm*—Alonzo & Associates; Arlyn Alonzo

See application file for complete search history.

(57) **CLAIM**

(56) **References Cited**

The ornamental design for an LED light module with cutouts, as shown and described.

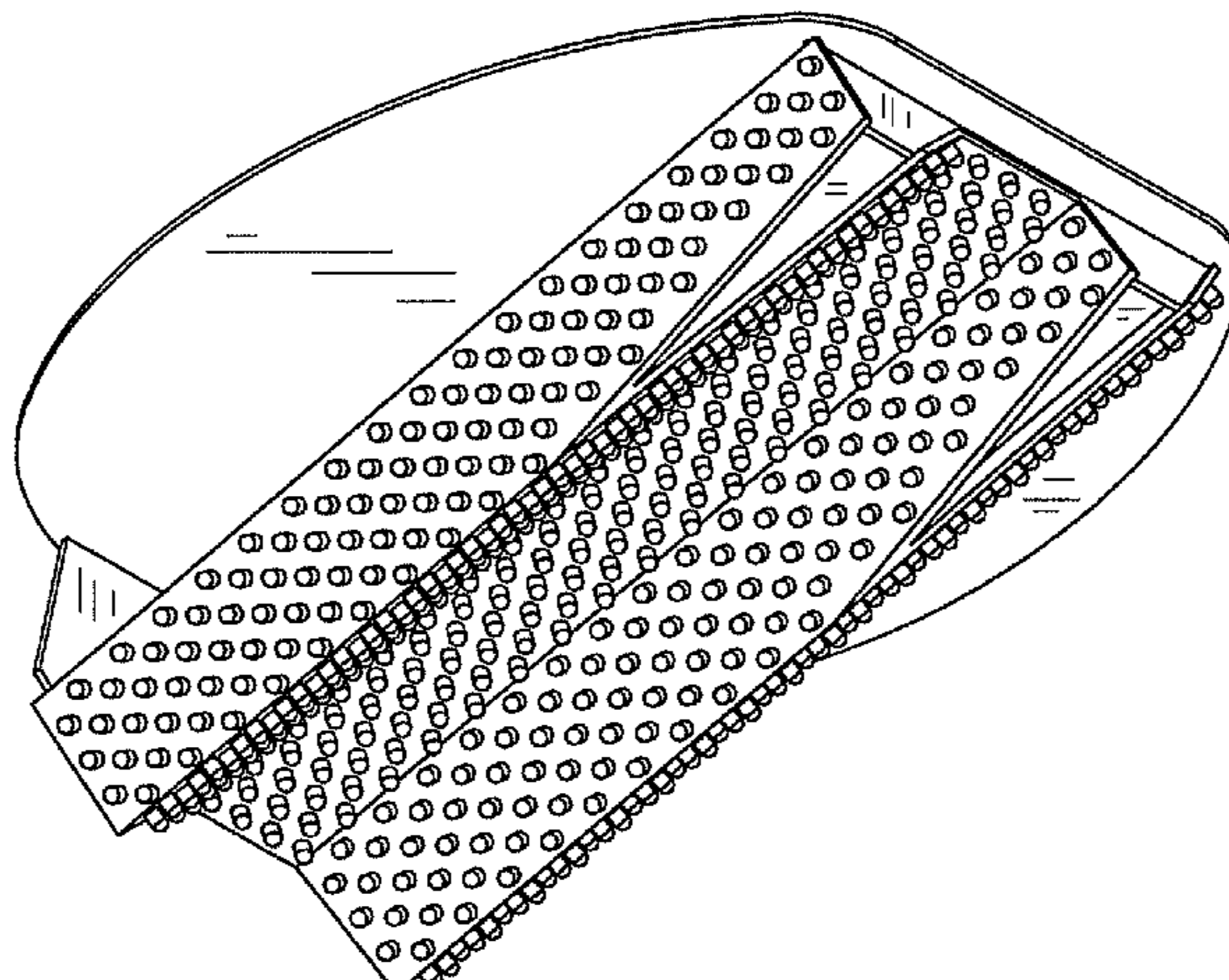
U.S. PATENT DOCUMENTS

DESCRIPTION

1,800,078 A	4/1931	Johnson	
1,838,789 A	12/1931	Schepperle	
2,260,473 A	10/1941	Minchillo	
2,408,643 A	10/1946	Hoy	
D168,812 S *	2/1953	Ulrick D26/67
D183,068 S *	6/1958	Spaulding et al. D26/24
D187,616 S *	4/1960	Husby et al. D26/71
D195,310 S	5/1963	Zagel	
D198,183 S *	5/1964	Akely D26/71
3,183,346 A	5/1965	Spaulding, et al.	
D207,551 S *	5/1967	Spaulding et al. D26/71
3,474,381 A	10/1969	Baldwin	
3,539,801 A	11/1970	Bobrick	
3,603,918 A	9/1971	Woertz	
3,718,816 A	2/1973	Seelbach, et al.	
3,980,368 A	9/1976	Fremont	
4,190,309 A	2/1980	Glass	
4,211,955 A	7/1980	Ray	
4,214,295 A	7/1980	Morton	
4,217,018 A	8/1980	Yoshida et al.	
4,655,520 A	4/1987	Cummings	
4,727,289 A	2/1988	Uchida	
4,729,742 A	3/1988	Onishi et al.	
4,772,869 A	9/1988	Grammas et al.	
4,812,814 A	3/1989	Elliott	

FIG. 1 is a perspective view of an LED light module showing a first embodiment of the new design;
FIG. 2 is a right side view thereof.
FIG. 3 is a left side view thereof.
FIG. 4 is a front view thereof.
FIG. 5 is a back view thereof.
FIG. 6 is a top view thereof.
FIG. 7 is a bottom view thereof.
FIG. 8 is a perspective view thereof showing the back plate removed for ease of illustration only;
FIG. 9 is a side view thereof showing the design mounted on a street post;
FIG. 10 is a perspective view of an LED light module showing a second embodiment of the new design; and,
FIG. 11 is a perspective view thereof showing the back plate removed for ease of illustration only.

1 Claim, 9 Drawing Sheets



U.S. PATENT DOCUMENTS

5,119,174 A	6/1992	Chen	6,336,613 B1	1/2002	Roth	
5,151,679 A	9/1992	Dimmick	6,345,902 B2	2/2002	Ohkohdo et al.	
5,152,601 A	10/1992	Ferng	6,371,636 B1	4/2002	Wesson	
5,154,509 A	10/1992	Wulfman et al.	6,457,270 B1	10/2002	Stark, III et al.	
5,160,200 A	11/1992	Cheselske	6,457,410 B1	10/2002	Zerillo	
5,160,201 A	11/1992	Wrobel	6,550,949 B1	4/2003	Bauer et al.	
5,193,904 A	3/1993	Rist et al.	6,580,228 B1	6/2003	Chen et al.	
5,224,773 A	7/1993	Arimura	6,598,996 B1	7/2003	Lodhie	
5,237,490 A	8/1993	Ferng	6,659,622 B2	12/2003	Katogi et al.	
5,241,457 A	8/1993	Sasajima et al.	6,659,623 B2	12/2003	Friend	
5,303,124 A	4/1994	Wrobel	6,659,632 B2	12/2003	Chen	
5,353,209 A	10/1994	Foottit	6,700,502 B1	3/2004	Pederson	
5,390,092 A	2/1995	Lin	6,722,771 B1	4/2004	Stephens	
D356,876 S *	3/1995	Waldmann D26/107	6,768,047 B2	7/2004	Chang et al.	
5,400,228 A	3/1995	Kao	6,773,148 B2 *	8/2004	Kasboske 362/493	
5,410,453 A	4/1995	Ruskouski	6,814,459 B2	11/2004	Pederson	
5,453,729 A	9/1995	Chu	6,942,361 B1	9/2005	Kishimura et al.	
5,526,236 A	6/1996	Burnes et al.	7,063,451 B2	6/2006	Shen	
5,567,036 A	10/1996	Theobald et al.	7,111,957 B2	9/2006	Bernhart et al.	
5,577,832 A	11/1996	Lodhie	7,234,832 B2	6/2007	Lippis et al.	
5,585,783 A	12/1996	Hall	7,237,932 B2	7/2007	Ter Hovhannissian	
5,588,740 A	12/1996	Kasuga	D578,697 S *	10/2008	Zheng et al. D26/71	
5,599,086 A	2/1997	Dutta	D599,942 S *	9/2009	Zheng D26/71	
5,629,607 A	5/1997	Callahan et al.	D600,847 S *	9/2009	Wung et al. D26/71	
5,647,658 A	7/1997	Ziadi	7,585,090 B2 *	9/2009	Wu 362/249.02	
5,661,374 A	8/1997	Cassidy et al.	2002/0163805 A1	11/2002	Hubbell et al.	
5,661,645 A	8/1997	Hochstein	2002/0171543 A1	11/2002	Abbe et al.	
D385,051 S	10/1997	Wu	2002/0196707 A1	12/2002	Kitchin et al.	
5,702,177 A	12/1997	Lin	2003/0095404 A1	5/2003	Becks et al.	
D388,726 S	1/1998	Wu	2003/0102810 A1	6/2003	Cross et al.	
5,710,560 A	1/1998	Cohn	2004/0012959 A1	1/2004	Robertson et al.	
5,765,940 A	6/1998	Levy et al.	2004/0062041 A1	4/2004	Cross et al.	
5,772,315 A	6/1998	Shen	2006/0109661 A1	5/2006	Coushaine et al.	
5,793,164 A	8/1998	Authier	2007/0139930 A1 *	6/2007	Spivak 362/294	
5,803,585 A	9/1998	Littman et al.	2007/0230184 A1 *	10/2007	Shuy 362/294	
5,806,965 A	9/1998	Deese	2009/0135599 A1 *	5/2009	Lin et al. 362/249.02	
D402,772 S	12/1998	Lodhie	2009/0141494 A1 *	6/2009	Zhang et al. 362/249.03	
5,842,297 A	12/1998	Tung	2009/0168418 A1 *	7/2009	Zheng et al. 362/234	
D404,506 S	1/1999	Lodhie	2009/0185374 A1 *	7/2009	Wu et al. 362/249.06	
5,855,268 A	1/1999	Zoladz, Jr.				
D405,201 S	2/1999	Lodhie				
5,887,968 A	3/1999	Logan				
5,921,660 A	7/1999	Yu				
5,929,788 A	7/1999	Vukosic				
5,947,588 A	9/1999	Huang				
5,964,051 A	10/1999	Loeber et al.				
5,984,494 A	11/1999	Chapman et al.				
6,011,493 A	1/2000	Bushell et al.				
6,013,985 A	1/2000	Green et al.				
D434,510 S	11/2000	Lodhie				
6,152,568 A	11/2000	Baba et al.				
6,220,722 B1	4/2001	Begemann				
6,227,679 B1	5/2001	Zhang et al.				
6,234,648 B1	5/2001	Borner et al.				
6,250,774 B1 *	6/2001	Begemann et al. 362/231				
6,283,612 B1	9/2001	Hunter				
6,286,978 B1 *	9/2001	Tait et al. 362/249.06				

OTHER PUBLICATIONS

U.S. Appl. No. 11/928,349, filed Oct. 30, 2007, Lodhie.
 U.S. Appl. No. 29/302,219, filed Jan. 11, 2008, Lodhie.
 U.S. Appl. No. 29/322,471, filed Aug. 5, 2008, Lodhie.
 U.S. Appl. No. 29/323,210, filed Aug. 20, 2008, Lodhie.
 U.S. Appl. No. 29/324,267, filed Sep. 9, 2008, Lodhie.
 U.S. Appl. No. 11/924,496, filed Oct. 25, 2007, Lodhie.
 U.S. Appl. No. 29/302,184, filed Jan. 11, 2008, Lodhie.
 U.S. Appl. No. 12/137,337, filed Jun. 11, 2008, Lodhie.
 U.S. Appl. No. 29/318,600, filed Jun. 10, 2008, Lodhie.
 U.S. Appl. No. 29/318,602, filed Jun. 10, 2008, Lodhie.
 Four (4) photographs of an LED light fixture that is commercially available.
 LED light fixtures available on the following website: www.hollysolar.com.
 LED light fixtures available on the following website: www.geblighting.com.

* cited by examiner

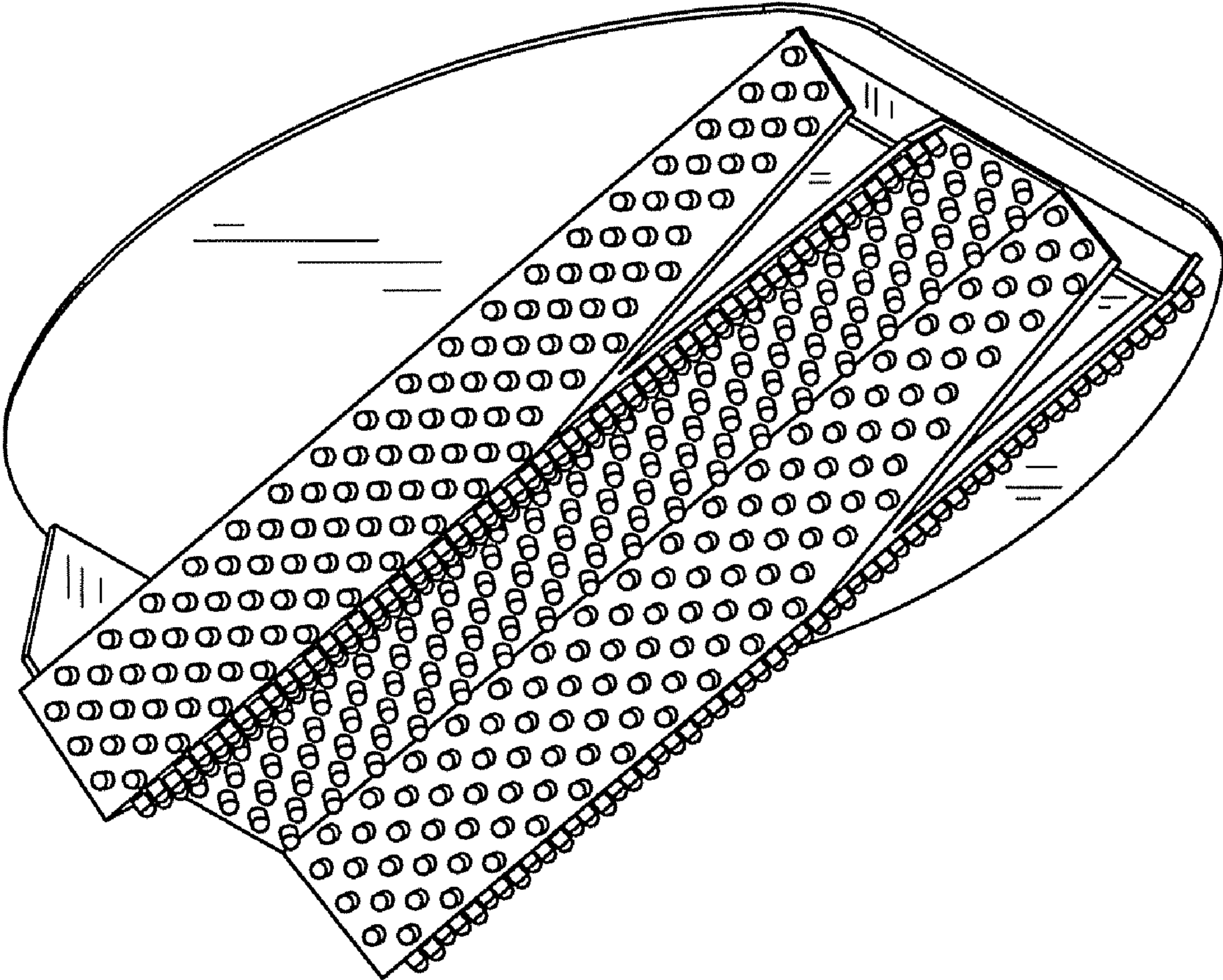


FIG.1

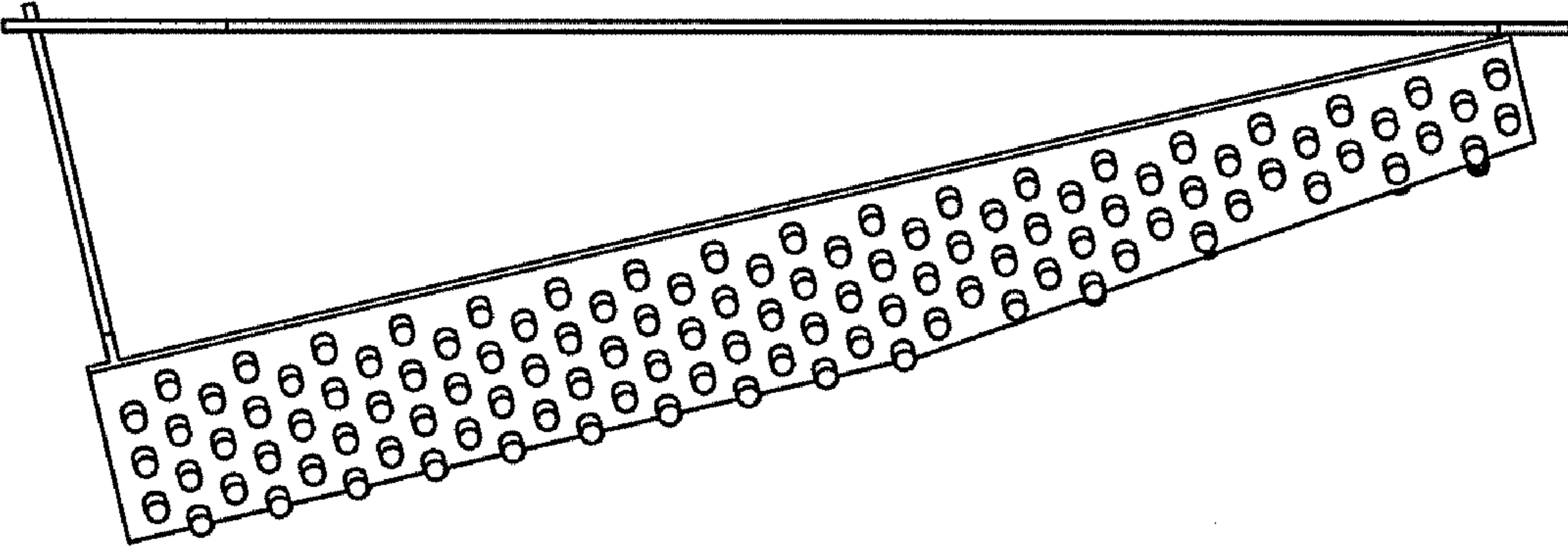


FIG. 2

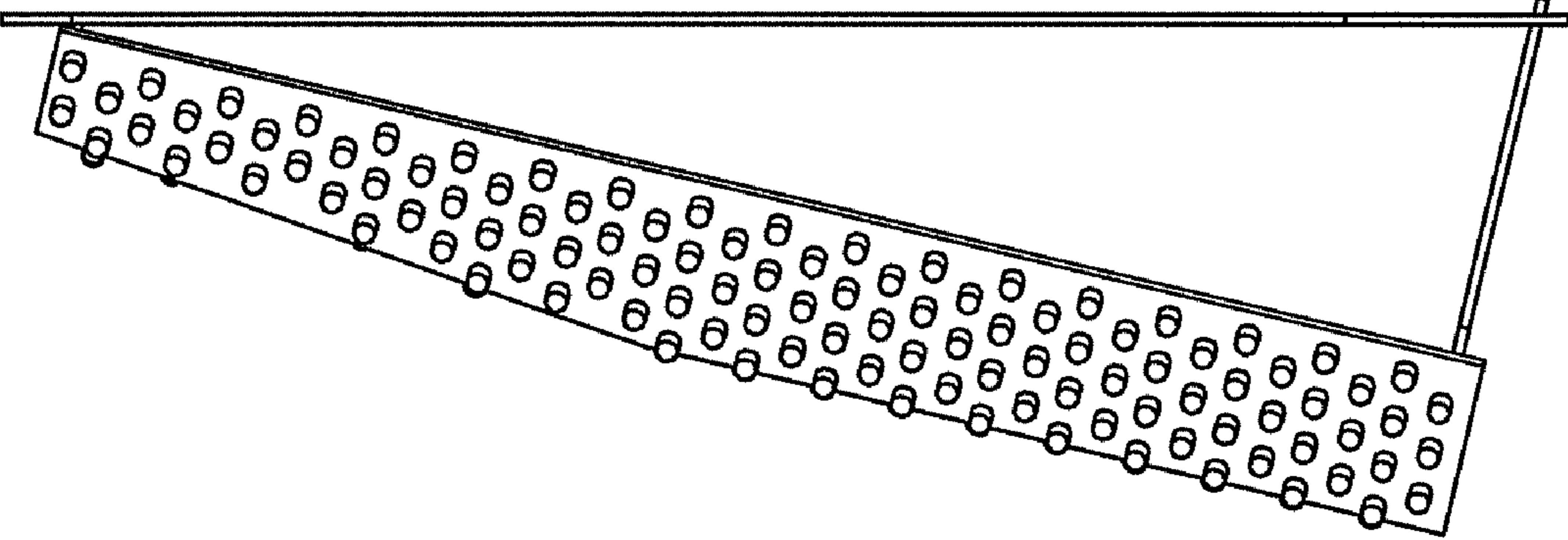


FIG. 3

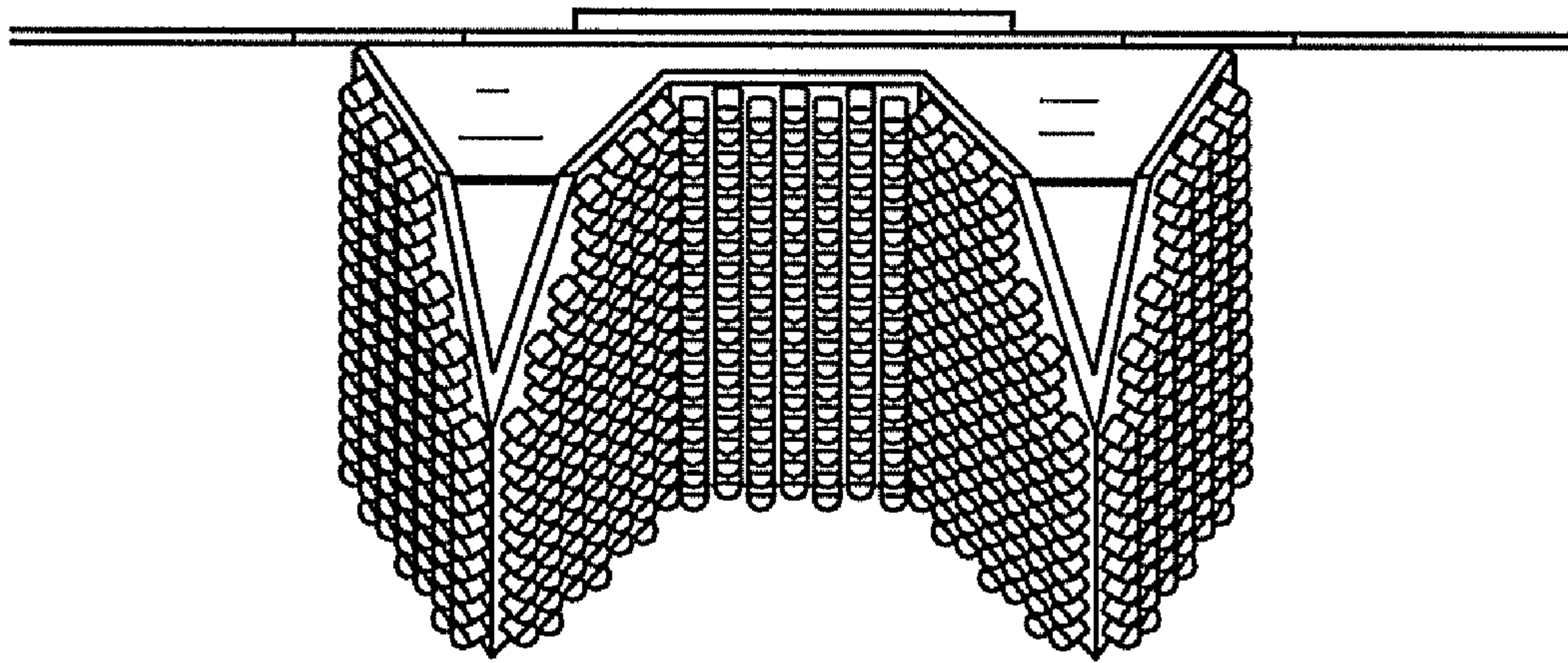


FIG. 4

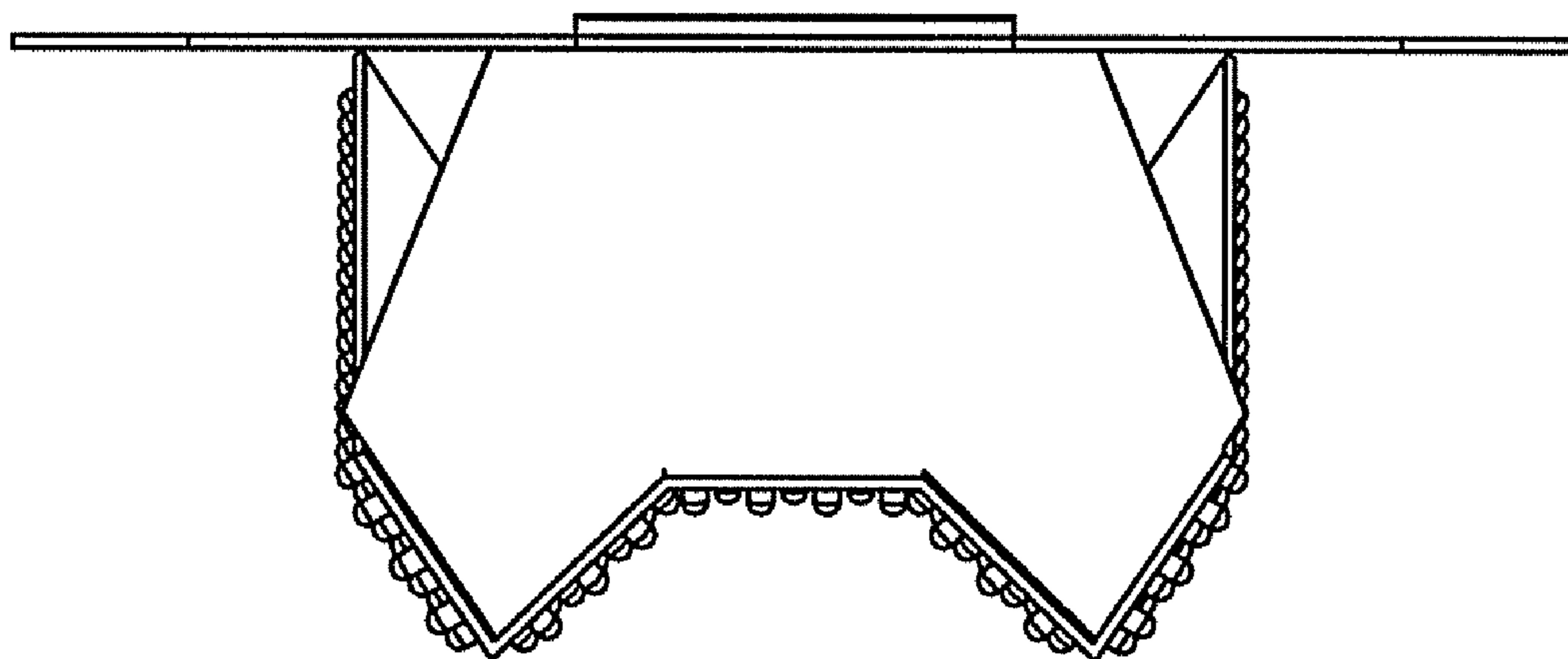


FIG. 5

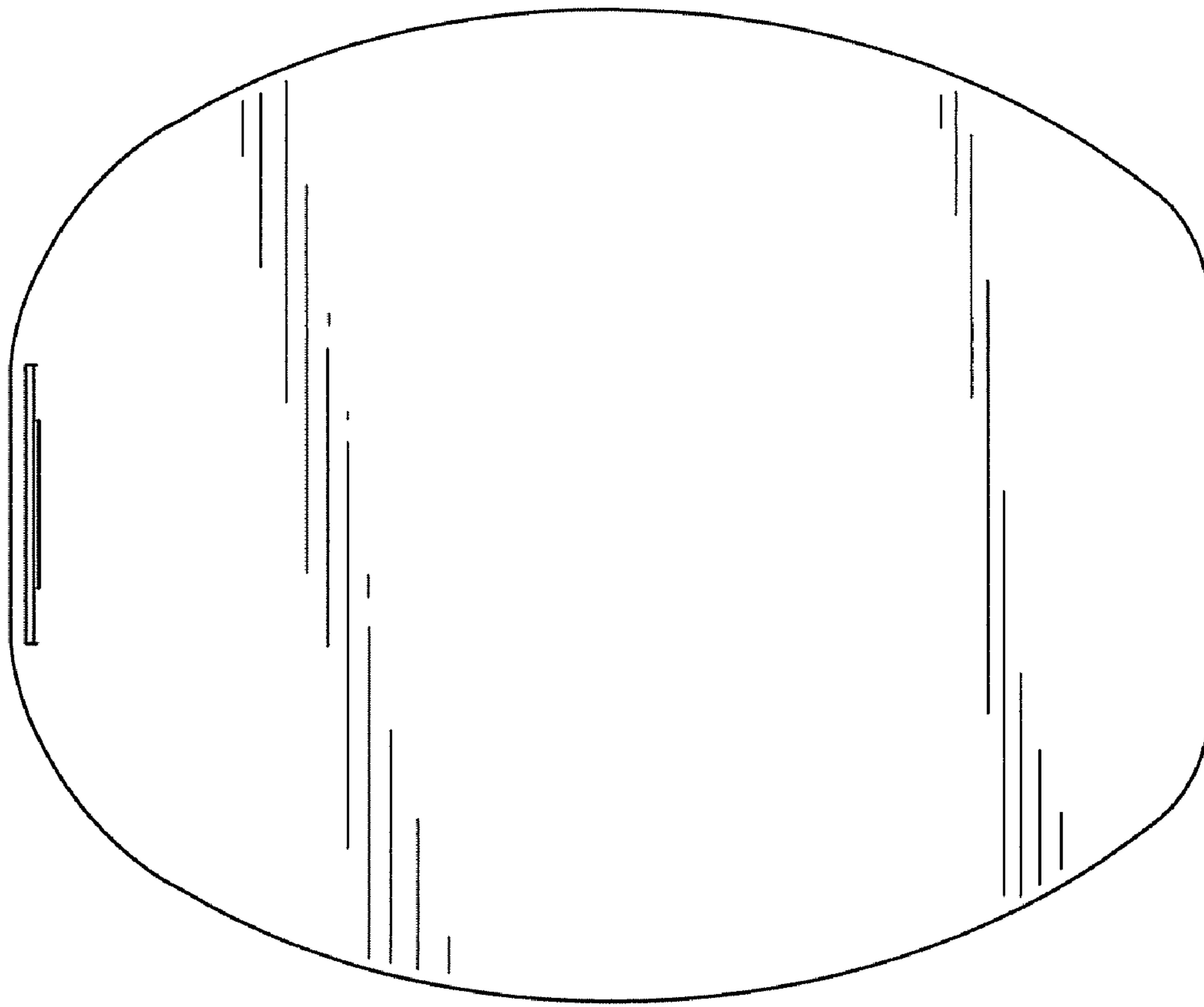


FIG.6

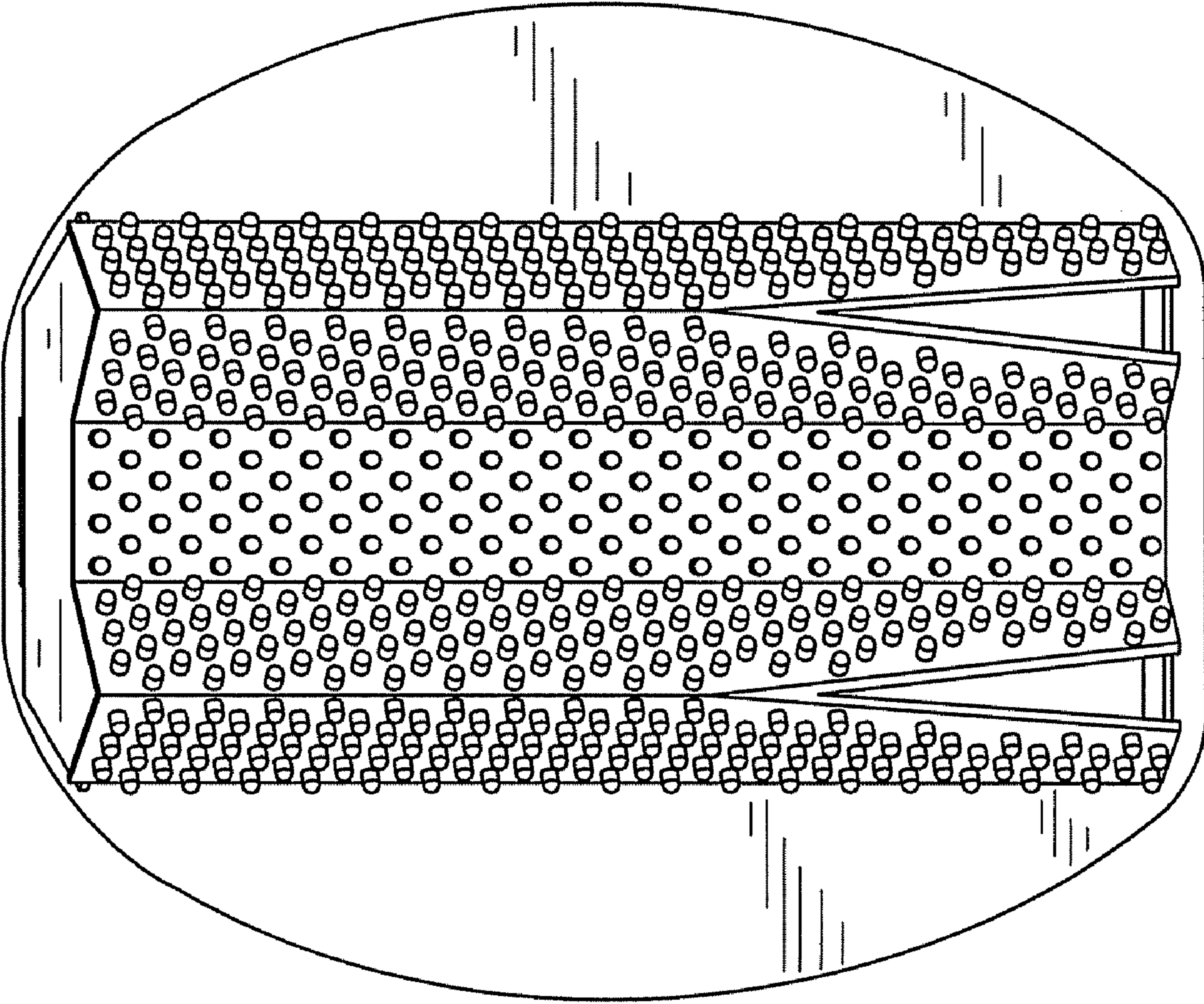


FIG.7

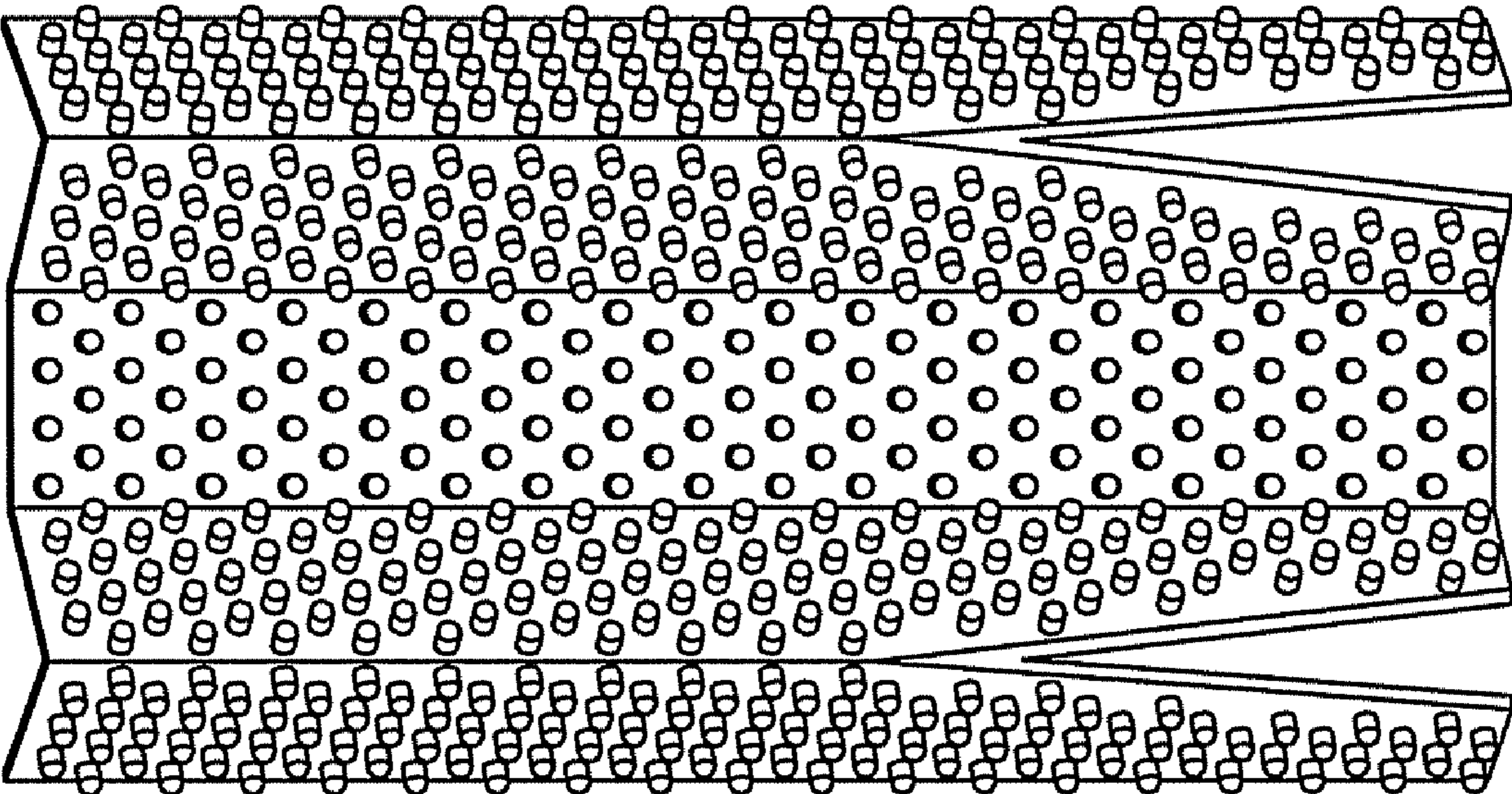


FIG.8

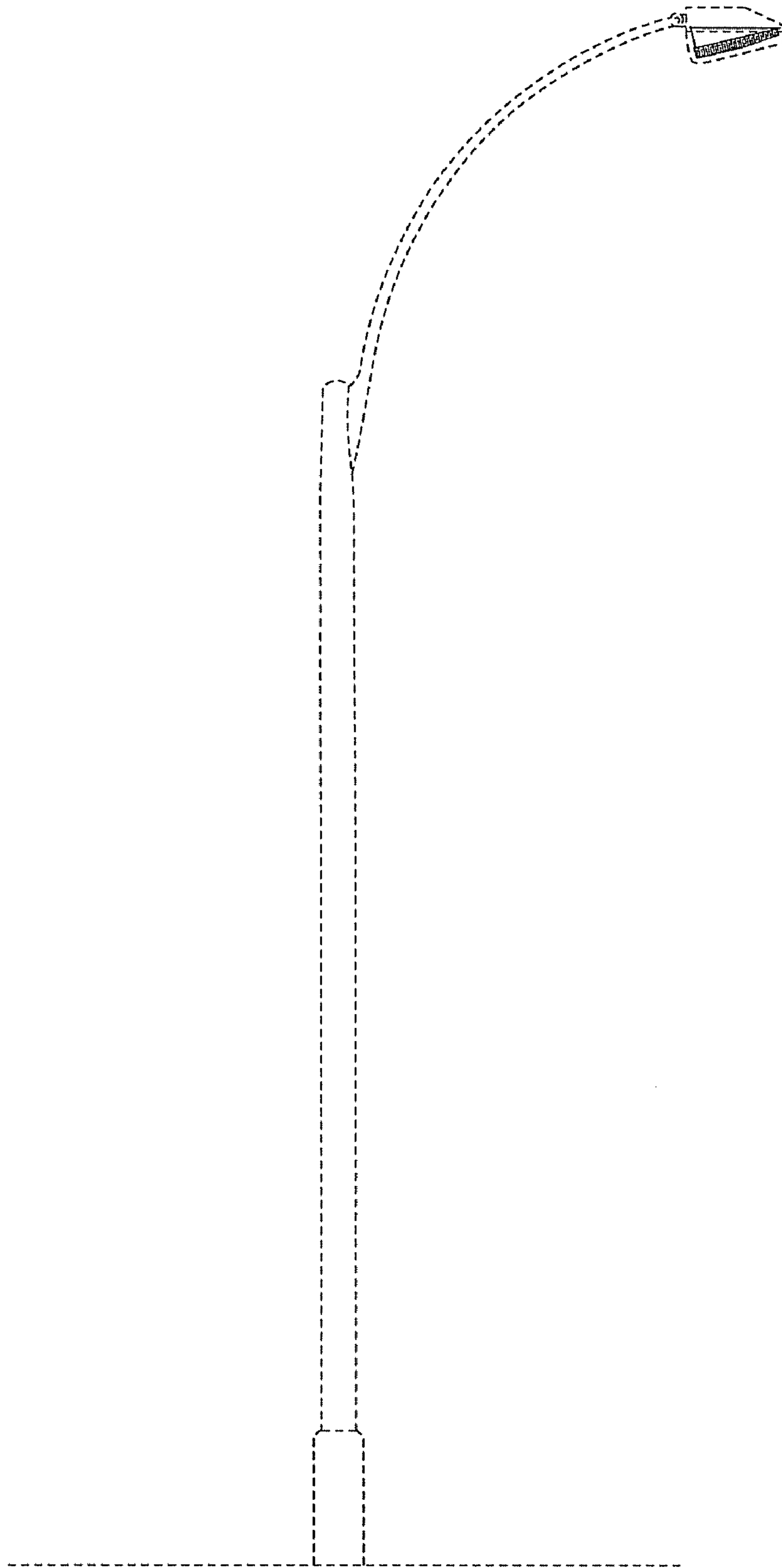


FIG. 9

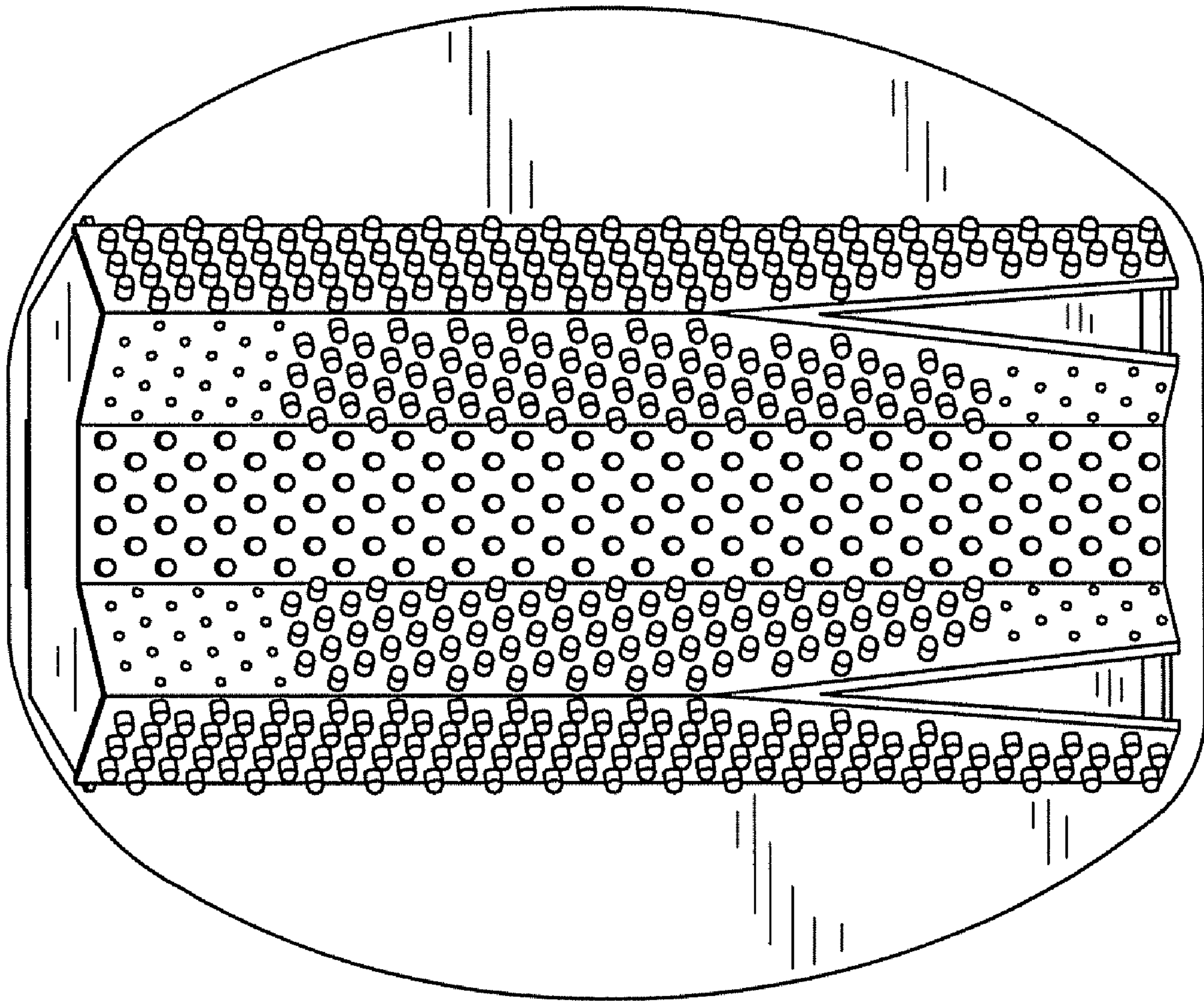


FIG.10

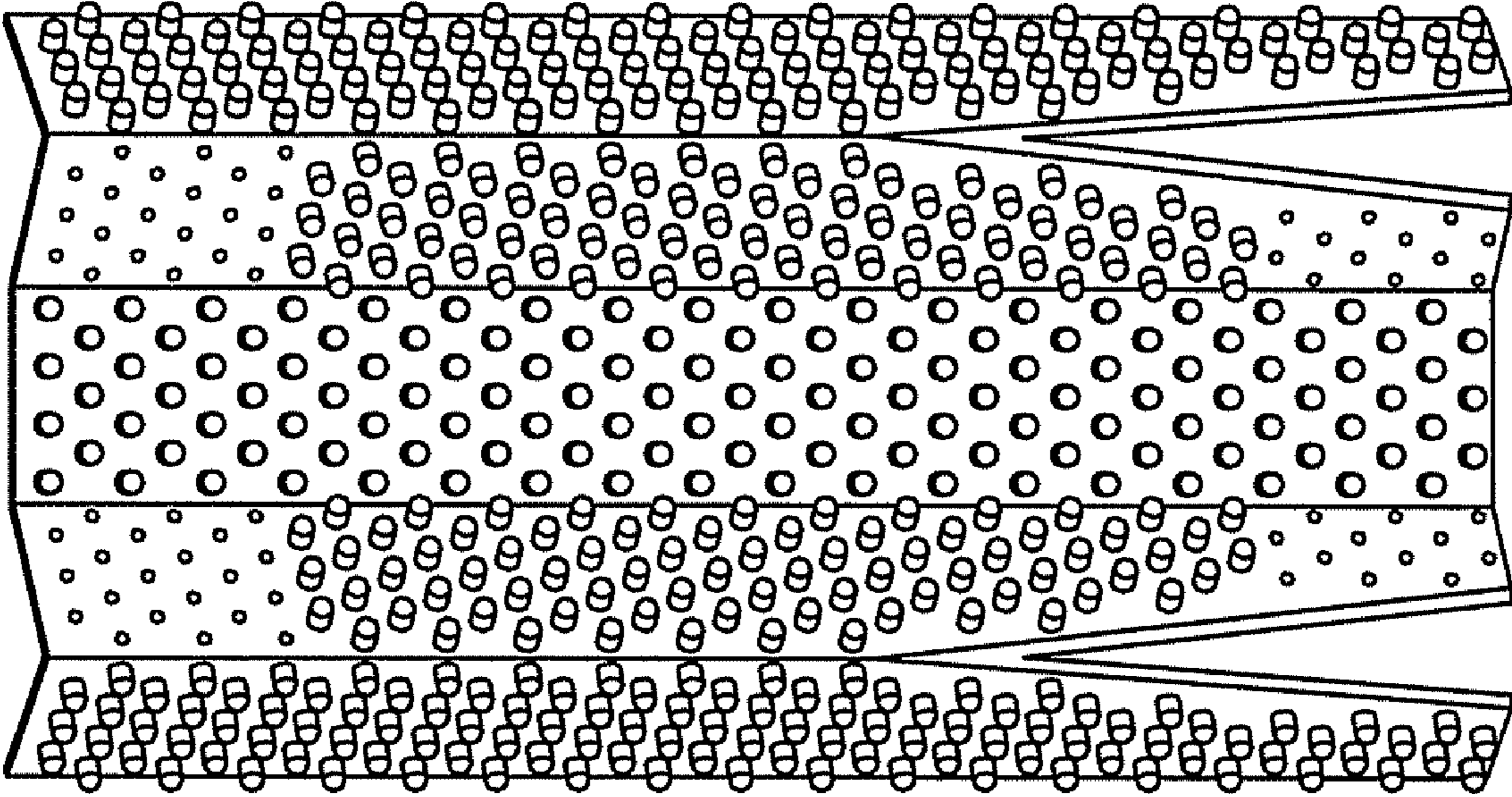


FIG. 11