



US00D613885S

(12) **United States Design Patent**
Lodhie

(10) **Patent No.:** **US D613,885 S**
(45) **Date of Patent:** **** Apr. 13, 2010**

(54) **TWO-STAGE LED LIGHT MODULE**

(76) Inventor: **Pervaiz Lodhie**, 12 Upper Blackwater Canyon Rd., Rolling Hills, CA (US) 90274

(**) Term: **14 Years**

(21) Appl. No.: **29/318,602**

(22) Filed: **Jun. 10, 2008**

(51) **LOC (9) Cl.** **26-04**

(52) **U.S. Cl.** **D26/1; D26/71**

(58) **Field of Classification Search** D26/1, D26/24, 67, 68, 71, 72, 80; 362/249.02, 362/249.03, 249.06, 294; 438/28

See application file for complete search history.

(56) **References Cited**

U.S. PATENT DOCUMENTS

1,800,078	A	4/1931	Johnson	
1,838,789	A	12/1931	Schepperle	
2,260,473	A	10/1941	Minchillo	
2,408,643	A	10/1946	Hoy	
D168,812	S *	2/1953	Ulrick D26/67
D195,310	S	5/1963	Zagel	
D198,183	S *	5/1964	Akely D26/71
3,183,346	A	5/1965	Spaulding et al.	
3,474,381	A	10/1969	Baldwin	
3,539,801	A	11/1970	Bobrick	
3,603,918	A	9/1971	Woertz	
3,718,816	A	2/1973	Seelbach et al.	
3,980,368	A	9/1976	Fremont	
4,190,309	A	2/1980	Glass	
4,211,955	A	7/1980	Ray	
4,214,295	A	7/1980	Morton	
4,217,018	A	8/1980	Yoshida et al.	
4,655,520	A	4/1987	Cummings	
4,727,289	A	2/1988	Uchida	
4,729,742	A	3/1988	Onishi et al.	
4,772,869	A	9/1988	Grammas et al.	
4,812,814	A	3/1989	Elliott	
4,868,719	A	9/1989	Kouchi et al.	
4,907,361	A	3/1990	Villard	
4,965,457	A	10/1990	Wrobel	

5,055,984	A	10/1991	Hung et al.
D326,532	S	5/1992	Hume et al.
5,119,174	A	6/1992	Chen
5,151,679	A	9/1992	Dimmick
5,152,601	A	10/1992	Ferng
5,154,509	A	10/1992	Wulfman et al.
5,160,200	A	11/1992	Cheselske
5,160,201	A	11/1992	Wrobel
5,193,904	A	3/1993	Rist et al.

(Continued)

OTHER PUBLICATIONS

U.S. Appl. No. 11/928,349, filed Oct. 30, 2007, Lodhie.

(Continued)

Primary Examiner—Clare E Heflin
(74) *Attorney, Agent, or Firm*—Alonzo & Associates; Arlyn Alonzo

(57) **CLAIM**

The ornamental design for a two-stage LED light module, as shown and described.

DESCRIPTION

FIG. 1 is a perspective view of a two-stage LED light module showing the new design;

FIG. 2 is a right side view thereof.

FIG. 3 is a left side view thereof.

FIG. 4 is a front view thereof.

FIG. 5 is a back view thereof.

FIG. 6 is a top view thereof.

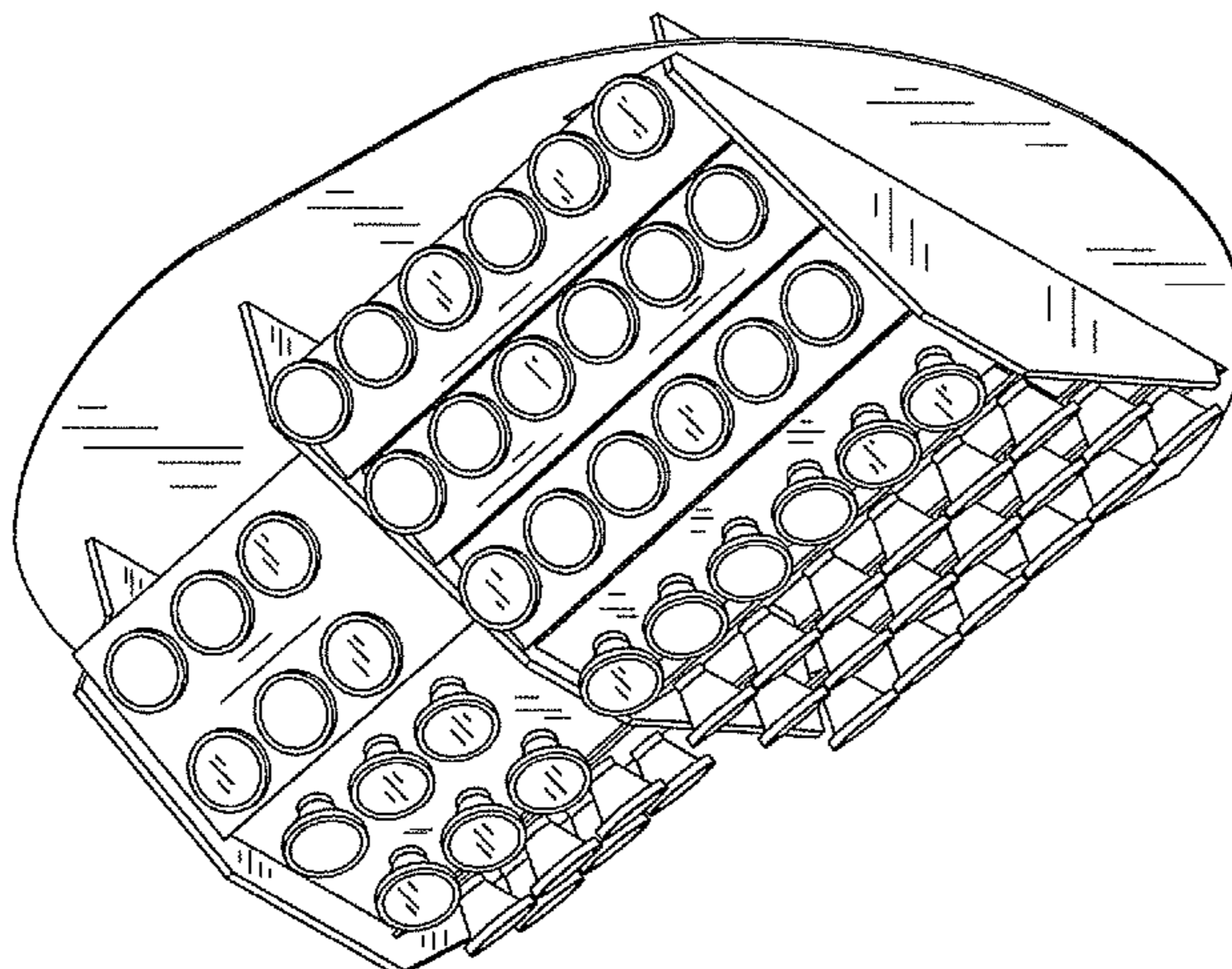
FIG. 7 is a bottom view thereof.

FIG. 8 is a side view of a two-stage LED light module mounted on a street post; and,

FIG. 9 is a perspective view thereof showing the back plate removed for ease of illustration only.

The street post and the housing of the two-stage LED light module of FIG. 8 (shown in phantom) do not form part of the design.

1 Claim, 7 Drawing Sheets



U.S. PATENT DOCUMENTS

5,224,773	A	7/1993	Arimura	6,550,949	B1	4/2003	Bauer et al.
5,237,490	A	8/1993	Ferng	6,580,228	B1	6/2003	Chen et al.
5,241,457	A	8/1993	Sasajima et al.	6,598,996	B1	7/2003	Lodhie
5,303,124	A	4/1994	Wrobel	6,659,622	B2	12/2003	Katogi et al.
5,353,209	A	10/1994	Foottit	6,659,623	B2	12/2003	Friend
5,390,092	A	2/1995	Lin	6,659,632	B2	12/2003	Chen
D356,876	S *	3/1995	Waldmann D26/107	6,695,460	B1 *	2/2004	Warne 362/249.06
5,400,228	A	3/1995	Kao	6,700,502	B1	3/2004	Pederson
5,410,453	A	4/1995	Ruskouski	6,722,771	B1	4/2004	Stephens
5,453,729	A	9/1995	Chu	6,768,047	B2	7/2004	Chang et al.
5,526,236	A	6/1996	Burnes et al.	6,773,148	B2 *	8/2004	Kasboske 362/493
5,567,036	A	10/1996	Theobald et al.	6,814,459	B2	11/2004	Pederson
5,577,832	A	11/1996	Lodhie	6,908,214	B2 *	6/2005	Luk 362/249.02
5,585,783	A	12/1996	Hall	6,942,361	B1	9/2005	Kishimura et al.
5,588,740	A	12/1996	Kasuga	7,063,451	B2	6/2006	Shen
5,599,086	A	2/1997	Dutta	7,111,957	B2	9/2006	Bernhart et al.
5,629,607	A	5/1997	Callahan et al.	7,234,832	B2	6/2007	Lippis et al.
5,647,658	A	7/1997	Ziadi	7,237,932	B2	7/2007	Ter Hovhannissian
5,661,374	A	8/1997	Cassidy et al.	D558,909	S *	1/2008	Ertze Encinas et al. D26/71
5,661,645	A	8/1997	Hochstein	D578,697	S *	10/2008	Zheng et al. D26/71
D385,051	S	10/1997	Wu	D599,942	S *	9/2009	Zheng D26/71
5,702,177	A	12/1997	Lin	D600,847	S *	9/2009	Wung et al. D26/71
D388,726	S	1/1998	Wu	D601,292	S *	9/2009	Yan et al. D26/71
5,710,560	A	1/1998	Cohn	2002/0163805	A1	11/2002	Hubbell et al.
5,765,940	A	6/1998	Levy et al.	2002/0171543	A1	11/2002	Abbe et al.
5,772,315	A	6/1998	Shen	2002/0196707	A1	12/2002	Kitchin et al.
5,793,164	A	8/1998	Authier	2003/0095404	A1	5/2003	Becks et al.
5,803,585	A	9/1998	Littman et al.	2003/0102810	A1	6/2003	Cross et al.
5,806,965	A	9/1998	Deese	2004/0012959	A1	1/2004	Robertson et al.
D402,772	S	12/1998	Lodhie	2004/0062041	A1	4/2004	Cross et al.
5,842,297	A	12/1998	Tung	2006/0109661	A1	5/2006	Coushaine et al.
D404,506	S	1/1999	Lodhie	2006/0215416	A1 *	9/2006	Lucas et al. 362/545
5,855,268	A	1/1999	Zoladz, Jr.	2007/0139930	A1 *	6/2007	Spivak 362/294
D405,201	S	2/1999	Lodhie	2007/0230184	A1 *	10/2007	Shuy 362/294
5,887,968	A	3/1999	Logan	2009/0141494	A1 *	6/2009	Zhang et al. 362/249.03
5,921,660	A	7/1999	Yu	2009/0185374	A1 *	7/2009	Wu et al. 362/249.06
5,929,788	A	7/1999	Vukosic				
5,947,588	A	9/1999	Huang				
5,964,051	A	10/1999	Loeber et al.				
5,984,494	A	11/1999	Chapman et al.				
6,011,493	A	1/2000	Bushell et al.				
6,013,985	A	1/2000	Green et al.				
D434,510	S	11/2000	Lodhie				
6,152,568	A	11/2000	Baba et al.				
6,220,722	B1	4/2001	Begemann				
6,227,679	B1	5/2001	Zhang et al.				
6,234,648	B1	5/2001	Borner et al.				
6,283,612	B1	9/2001	Hunter				
6,336,613	B1	1/2002	Roth				
6,345,902	B2	2/2002	Ohkohdo et al.				
6,371,636	B1	4/2002	Wesson				
6,431,728	B1 *	8/2002	Fredericks et al. 362/244				
6,457,270	B1	10/2002	Stark, III et al.				
6,457,410	B1	10/2002	Zerillo				

OTHER PUBLICATIONS

U.S. Appl. No. 29/302,219, filed Jan. 11, 2008, Lodhie.
 U.S. Appl. No. 29/322,471, filed Aug. 5, 2008, Lodhie.
 U.S. Appl. No. 29/323,210, filed Aug. 20, 2008, Lodhie.
 U.S. Appl. No. 29/324,267, filed Sep. 9, 2008, Lodhie.
 U.S. Appl. No. 11/924,496, filed Oct. 25, 2007, Lodhie.
 U.S. Appl. No. 29/302,184, filed Jan. 11, 2008, Lodhie.
 U.S. Appl. No. 12/137,337, filed Jun. 11, 2008, Lodhie.
 U.S. Appl. No. 29/318,600, filed Jun. 10, 2008, Lodhie.
 U.S. Appl. No. 29/318,604, filed Jun. 10, 2008, Lodhie.
 Four (4) photographs of an LED light fixture that is commercially available.
 LED light fixtures available on the following website: www.hollysolar.com.
 LED light fixtures available on the following website: www.geblighting.com.

* cited by examiner

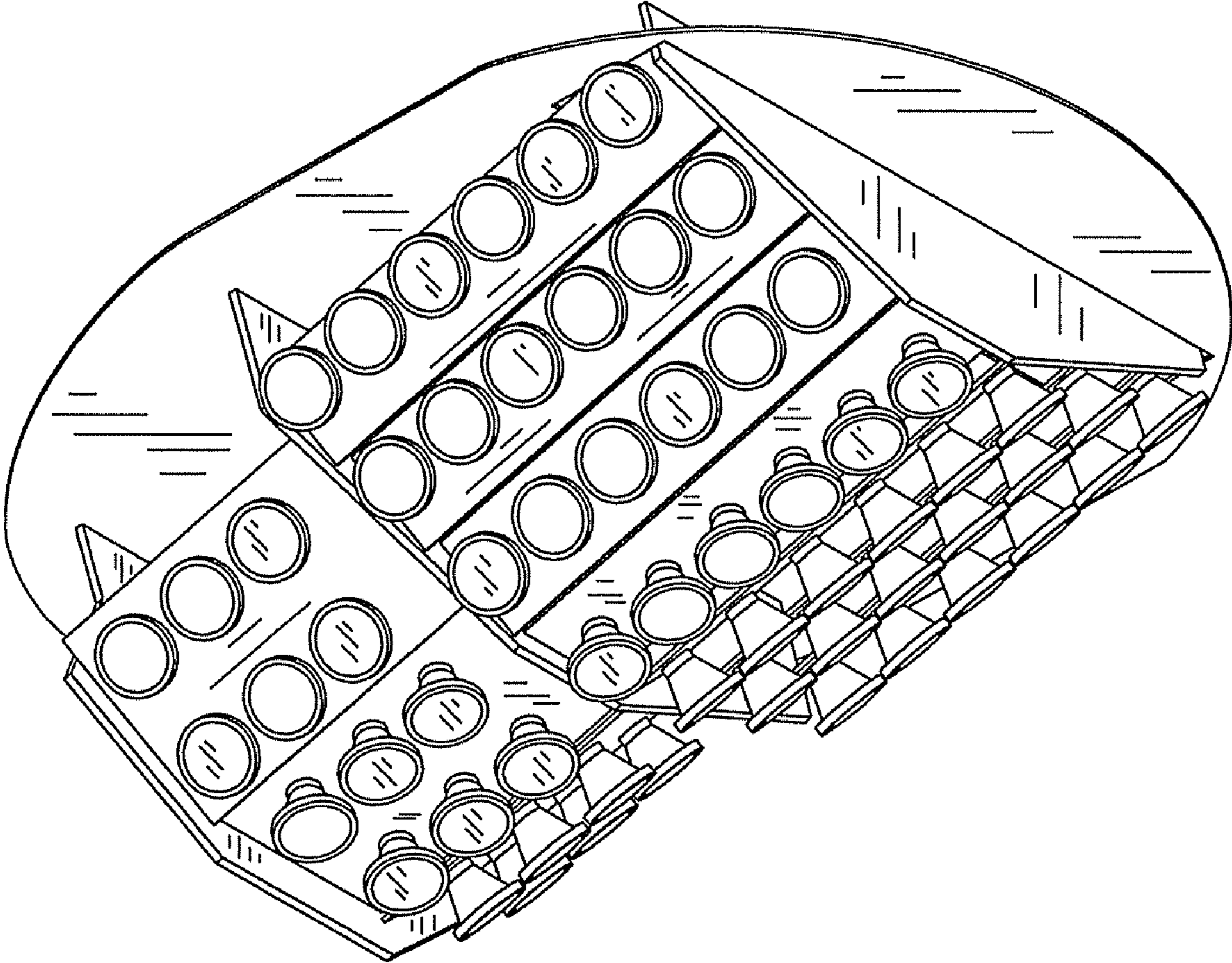


FIG.1

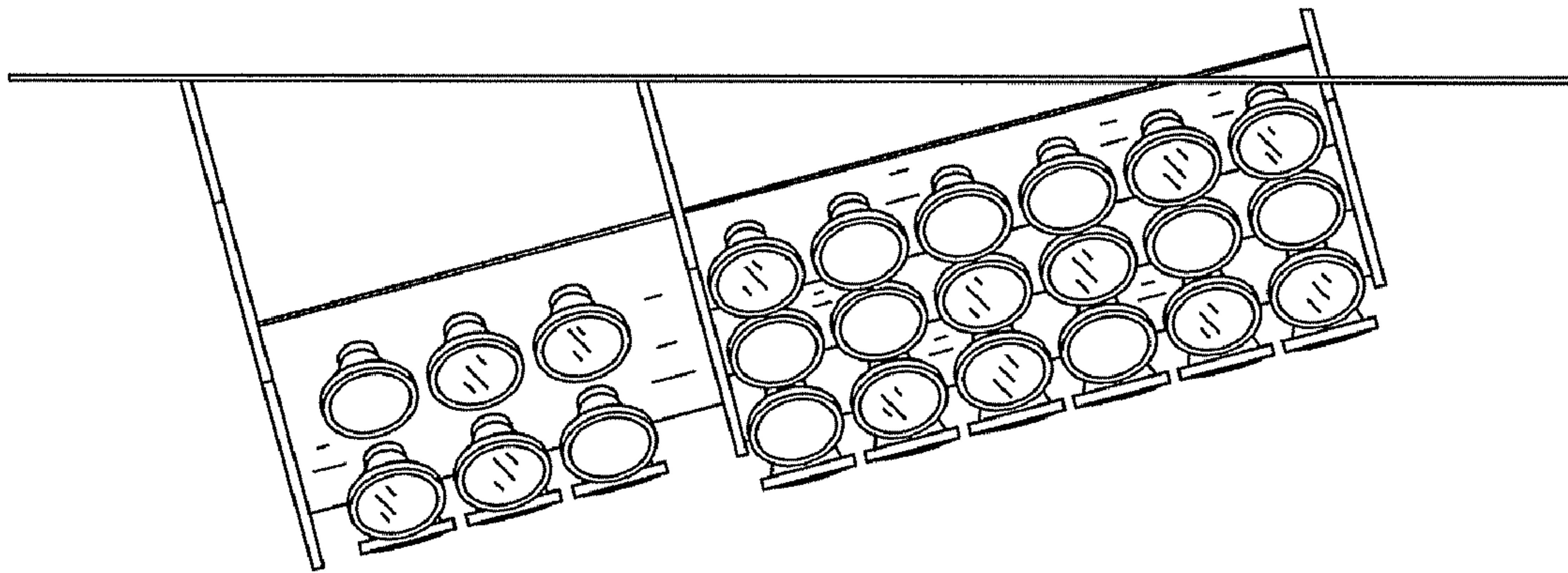


FIG. 2

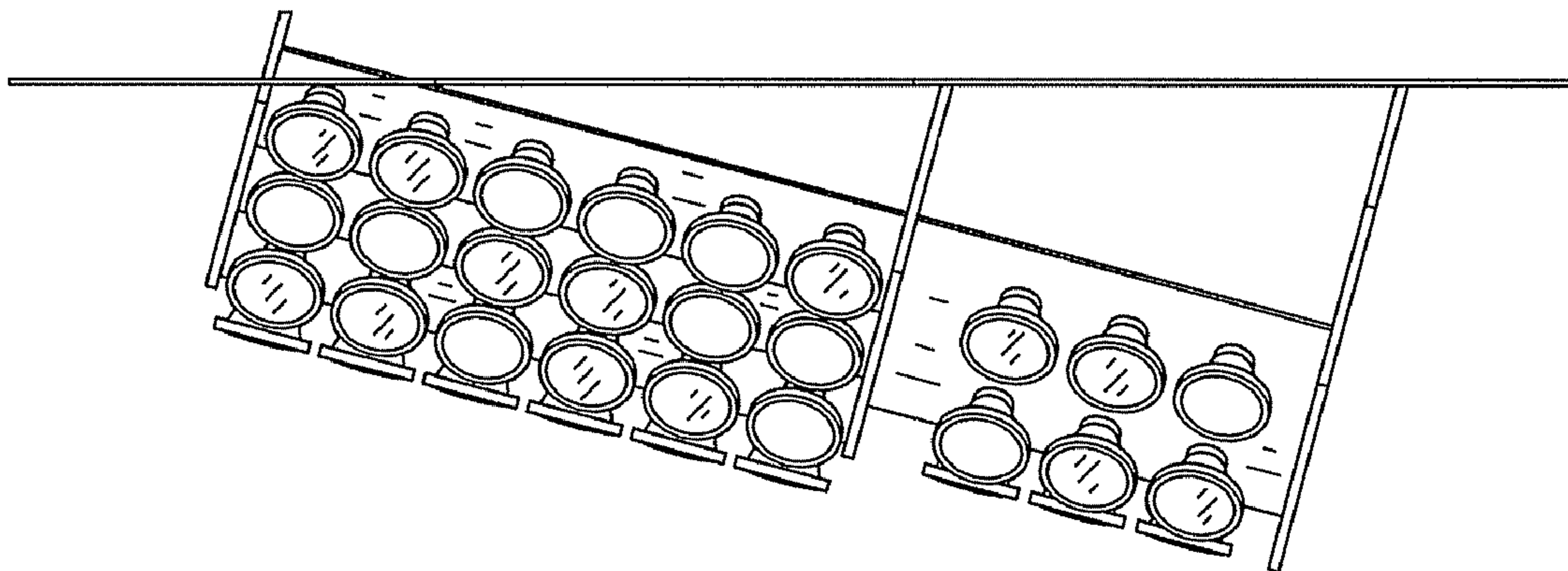


FIG. 3

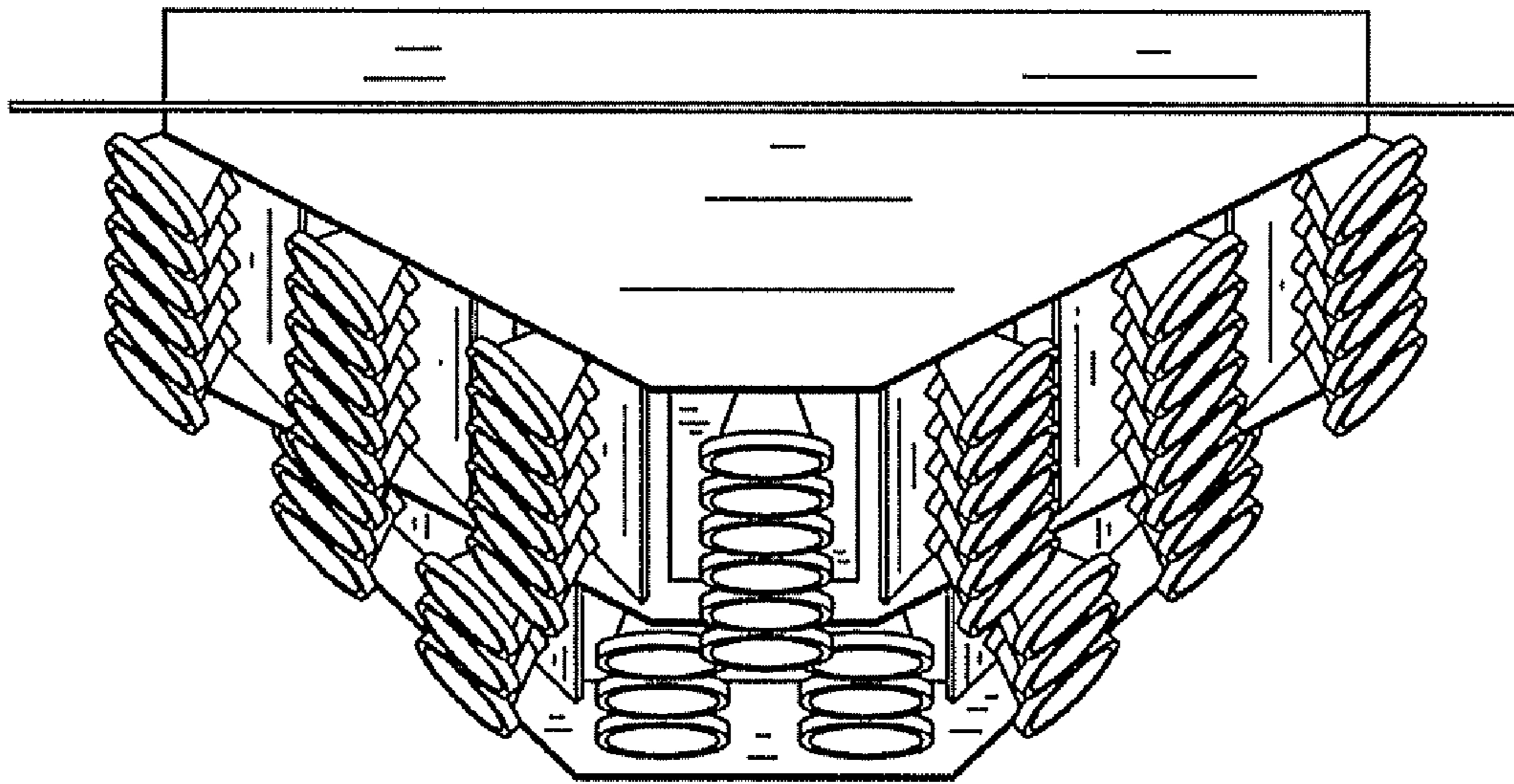


FIG. 4

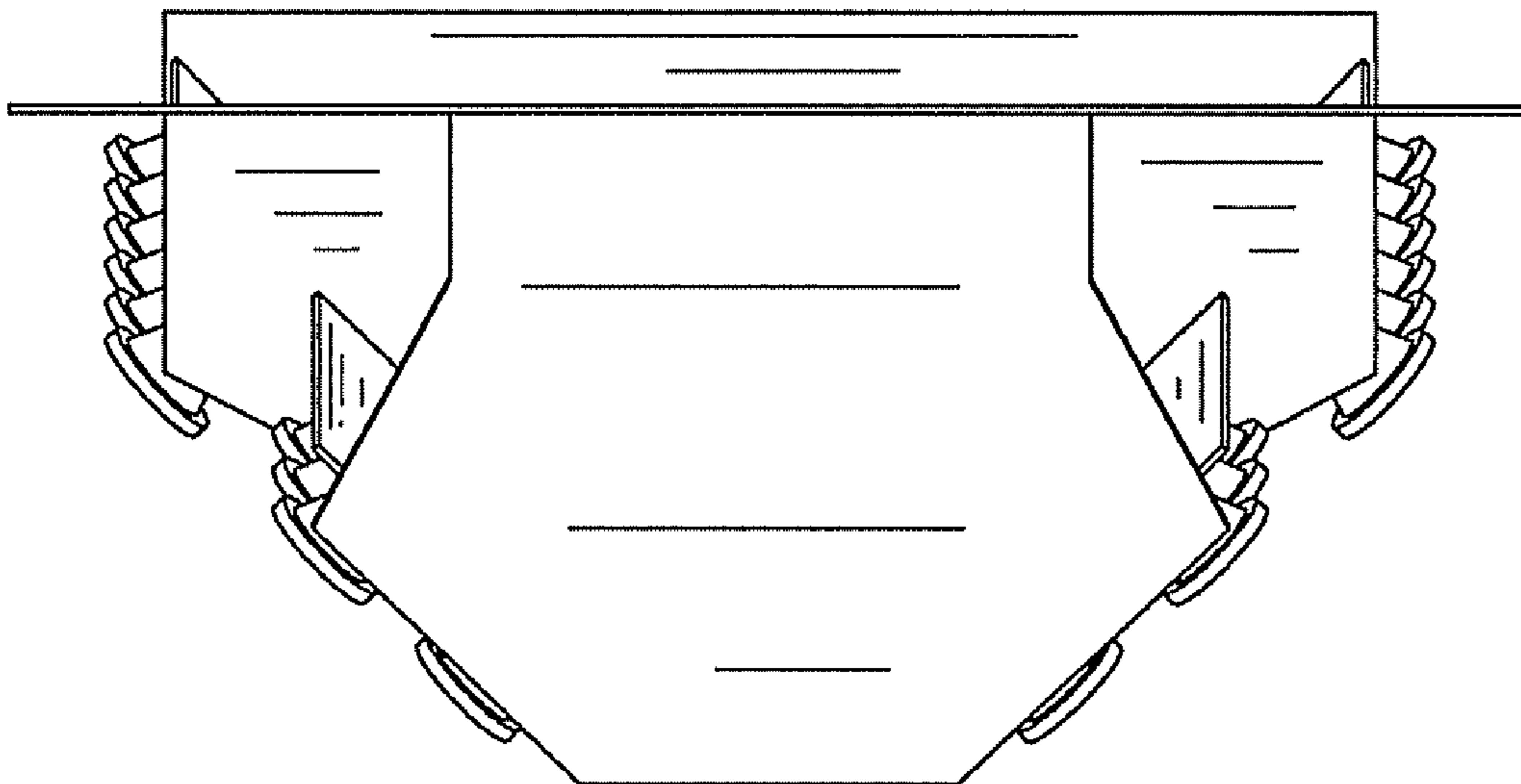


FIG. 5

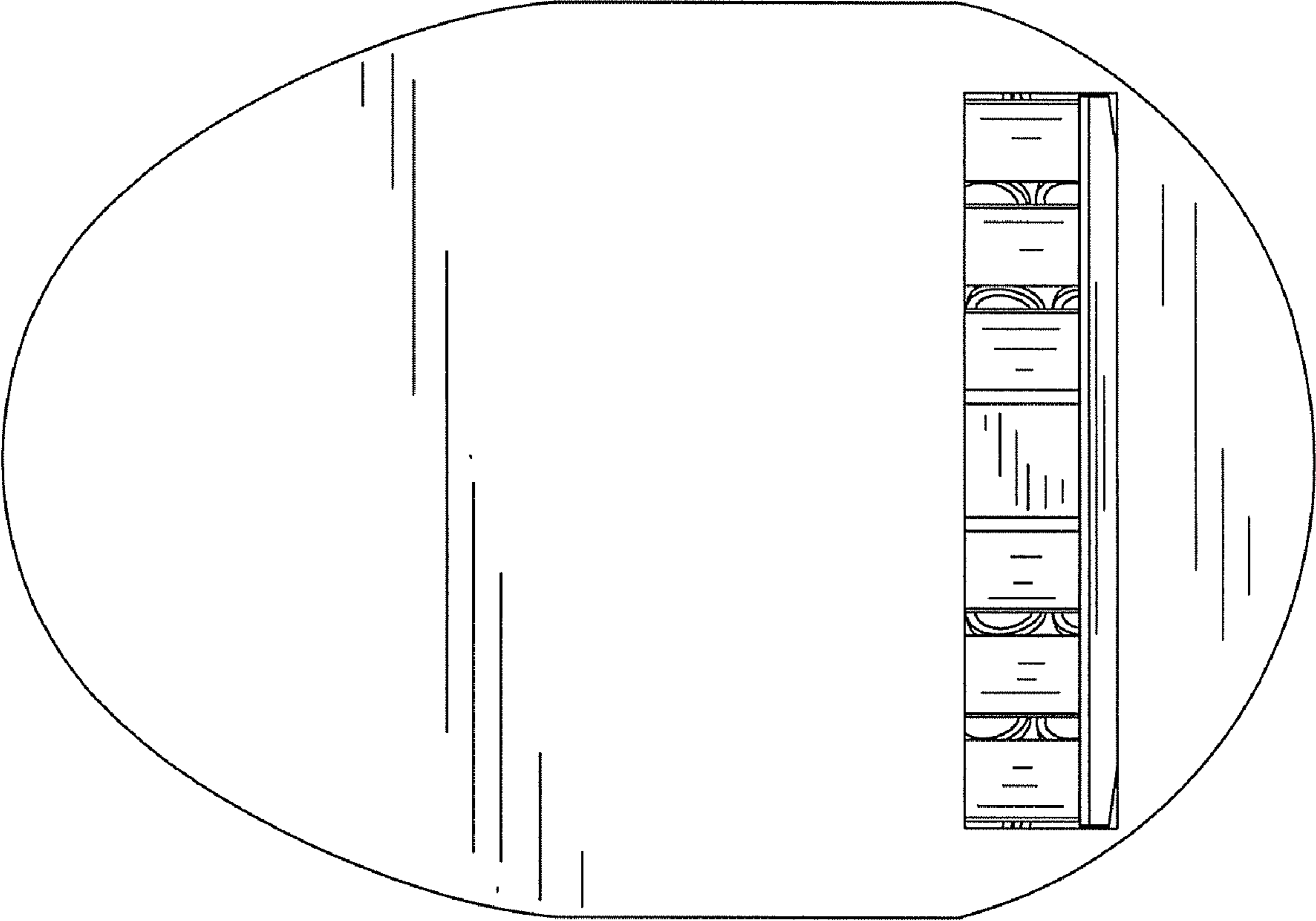


FIG.6

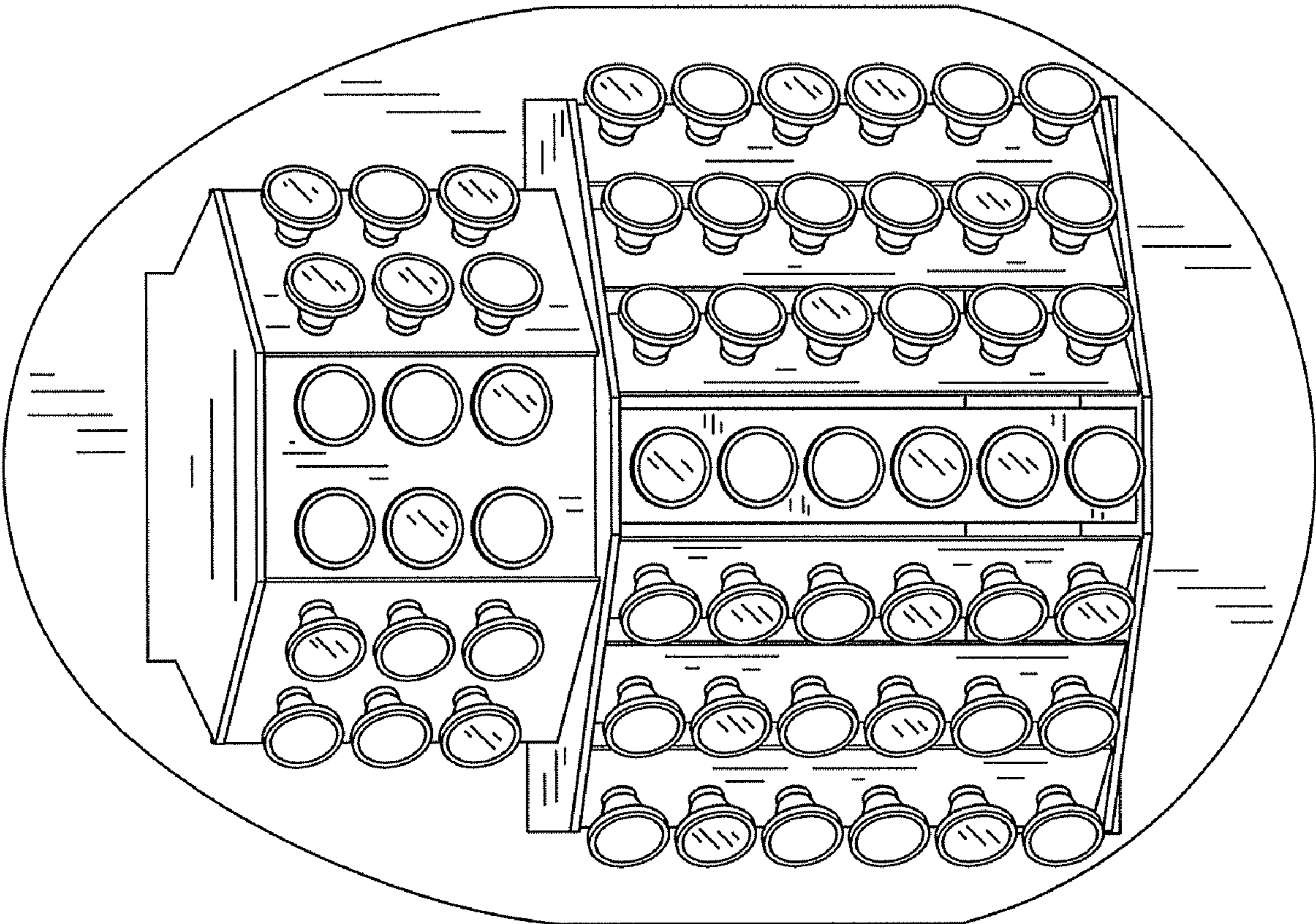


FIG.7

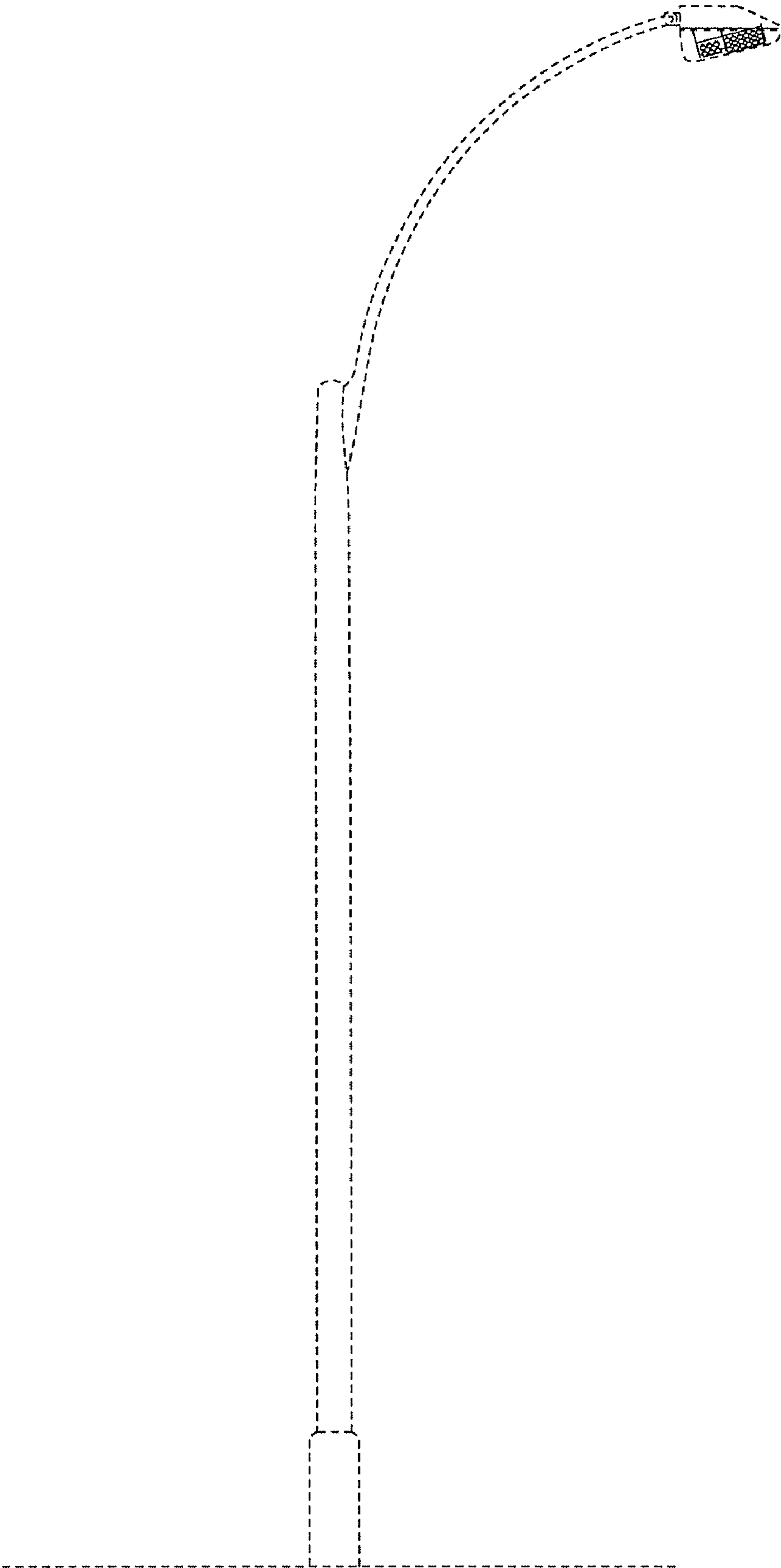


FIG. 8

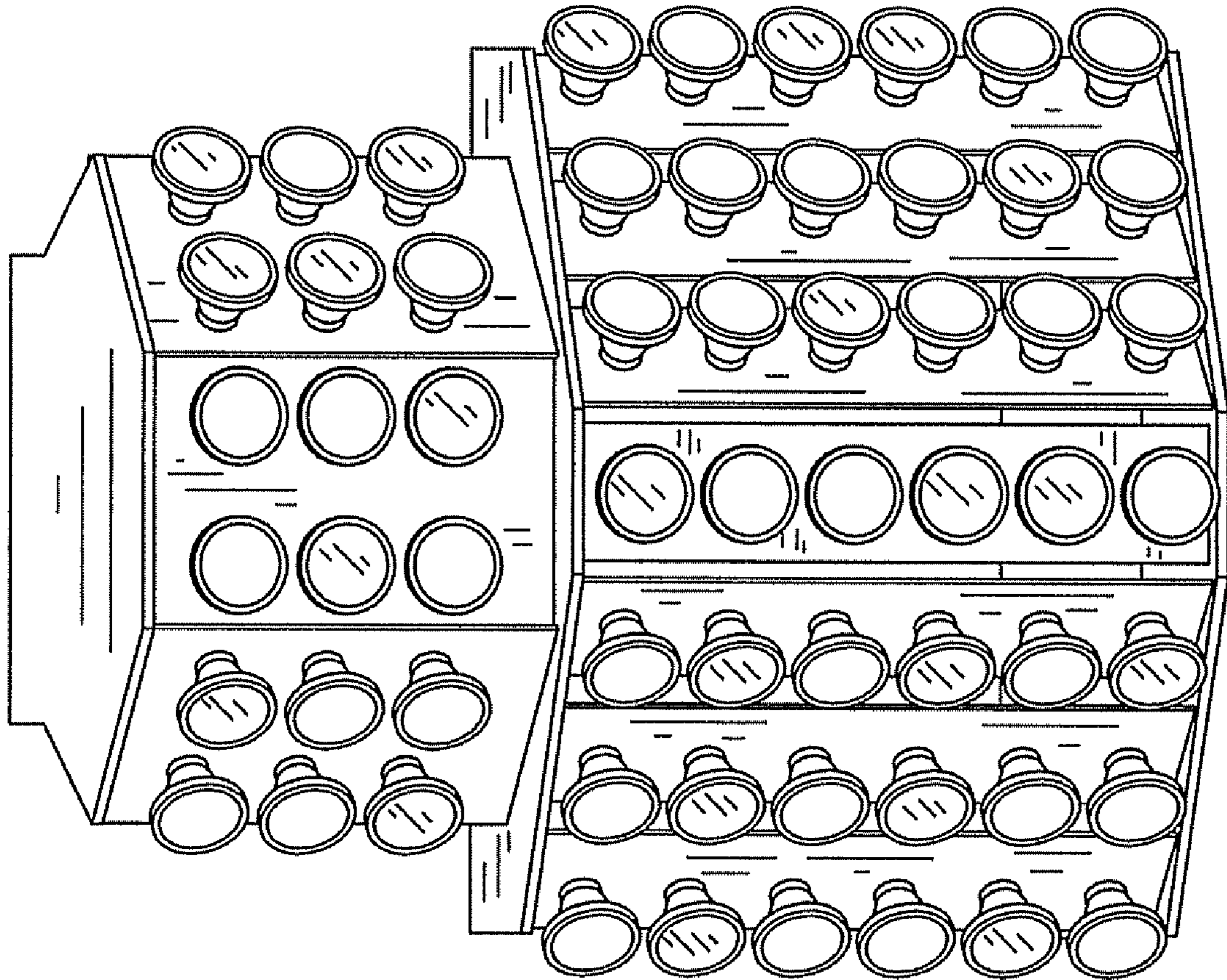


FIG.9