



US00D613884S

(12) **United States Design Patent**  
**Zidar**

(10) **Patent No.:** **US D613,884 S**  
(45) **Date of Patent:** **\*\* Apr. 13, 2010**

(54) **BASEMENT WALL DRAINAGE PANEL**

(76) Inventor: **Robert J. Zidar**, 485 White Oak Trail,  
Hartland, WI (US) 53029

(\*\*) Term: **14 Years**

(21) Appl. No.: **29/346,979**

(22) Filed: **Nov. 10, 2009**

**Related U.S. Application Data**

(62) Division of application No. 11/713,416, filed on Mar. 2, 2007.

(51) **LOC (9) Cl.** ..... **25-01**

(52) **U.S. Cl.** ..... **D25/142**

(58) **Field of Classification Search** ..... D25/138-164;  
52/126.5, 126.6, 302.1, 384, 389, 581, 663,  
52/792

See application file for complete search history.

(56) **References Cited**

**U.S. PATENT DOCUMENTS**

D28,454 S \* 4/1898 Kailor et al. .... D25/156  
D231,218 S \* 4/1974 Box ..... D25/156  
4,067,156 A \* 1/1978 Downing, Jr. .... 52/126.6  
4,745,716 A 5/1988 Kuypers

4,869,032 A 9/1989 Geske  
D329,297 S 9/1992 Smith  
D505,212 S \* 5/2005 Hills ..... D25/199  
D588,716 S \* 3/2009 Meyer ..... D25/142  
2005/0204653 A1 9/2005 Matthews

\* cited by examiner

*Primary Examiner*—Catherine R Oliver  
(74) *Attorney, Agent, or Firm*—Donald J. Ersler

(57) **CLAIM**

The ornamental design for a basement wall drainage panel, as shown and described.

**DESCRIPTION**

FIG. 1 is a perspective view of a basement wall drainage panel incorporating my new design;

FIG. 2 is a top plan view thereof;

FIG. 3 is a bottom plan view thereof;

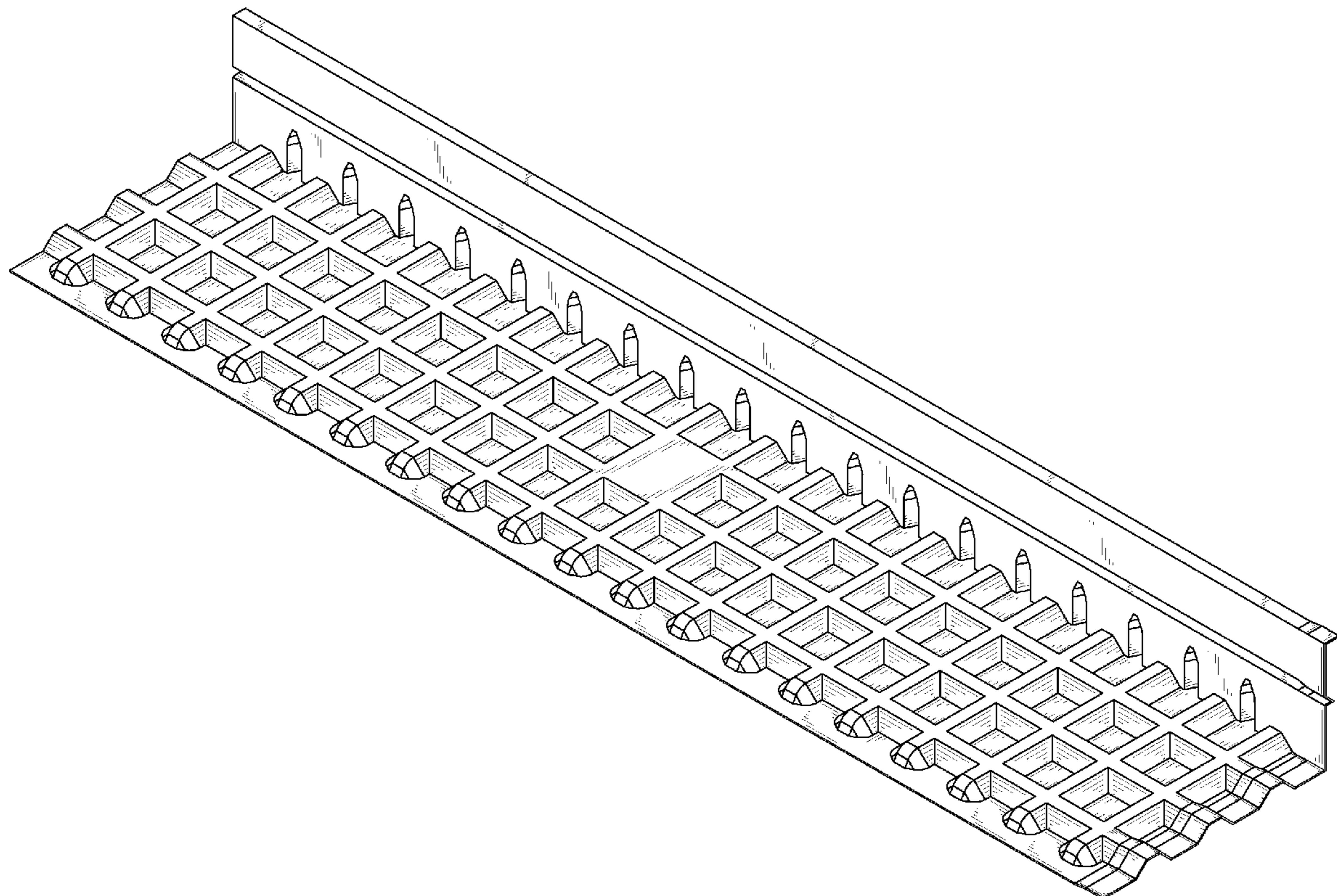
FIG. 4 is a front elevation view thereof;

FIG. 5 is a left end view thereof;

FIG. 6 is a right end view thereof; and,

FIG. 7 is a rear elevation view.

**1 Claim, 3 Drawing Sheets**



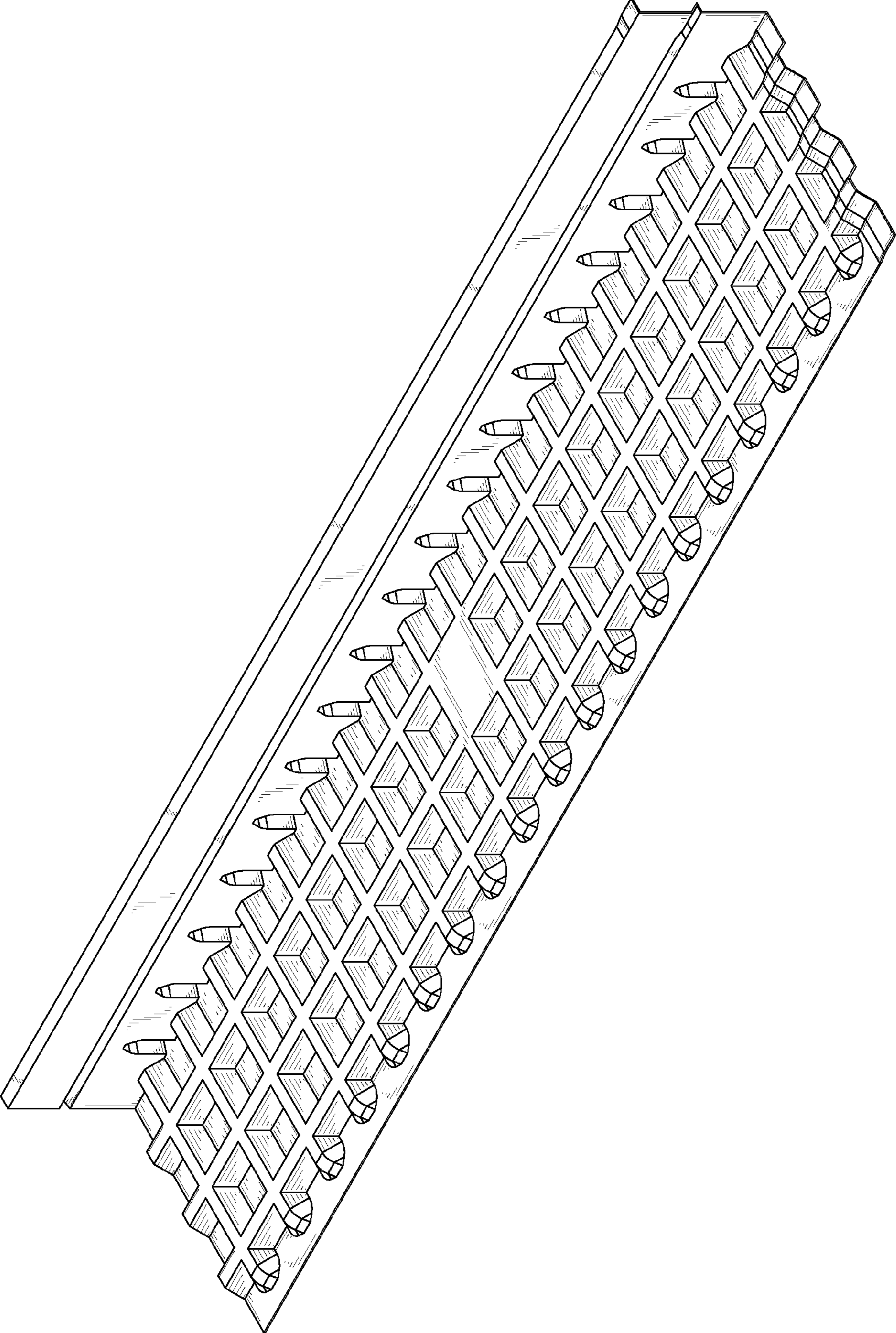


FIG. 1



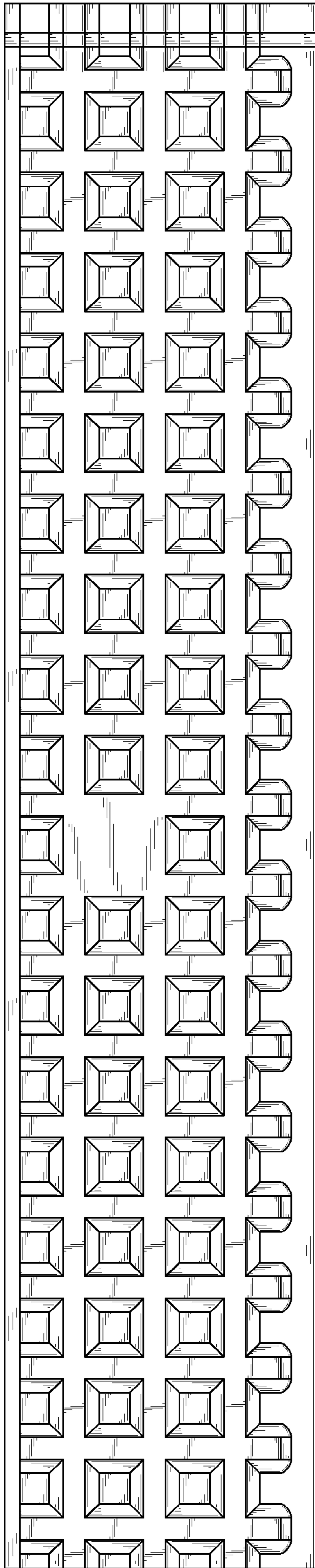


FIG. 2

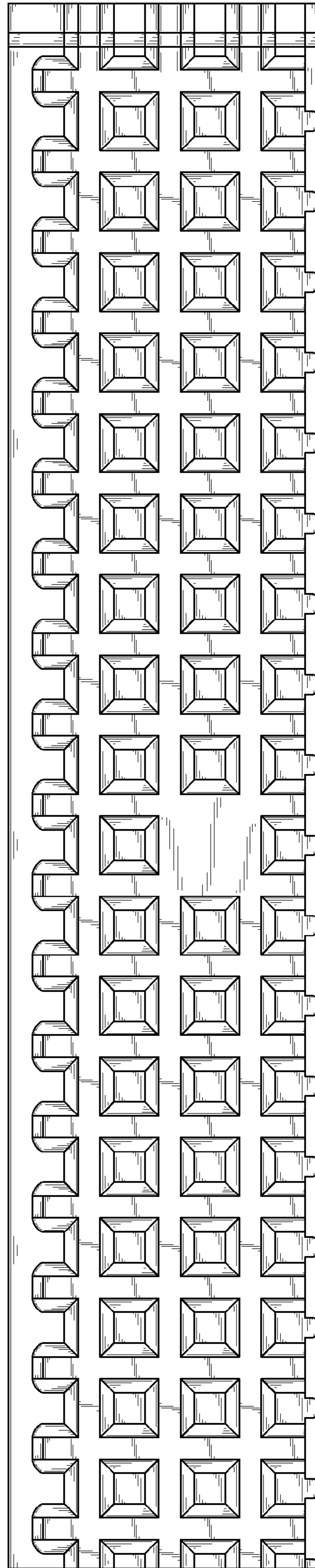


FIG. 3

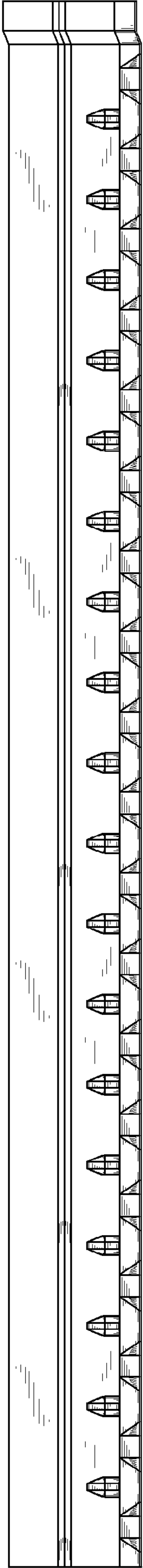


FIG. 4

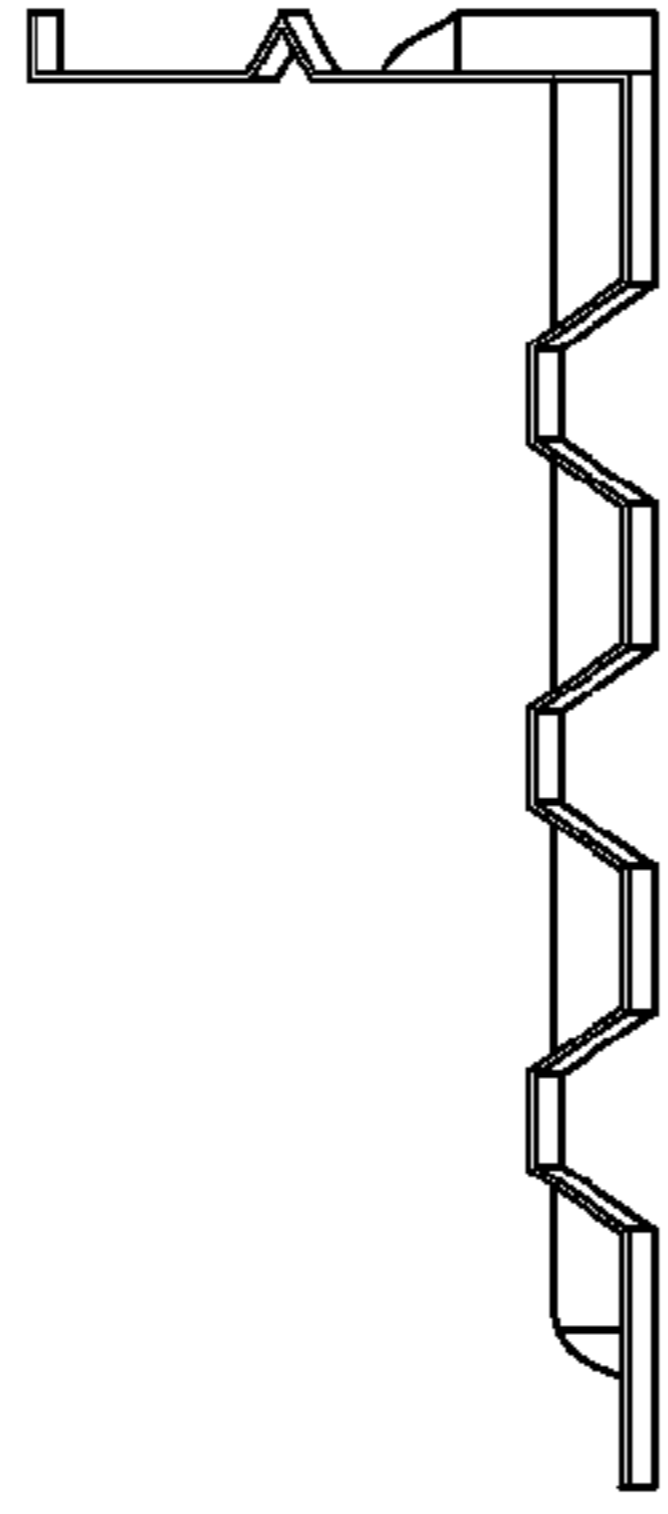


FIG. 6

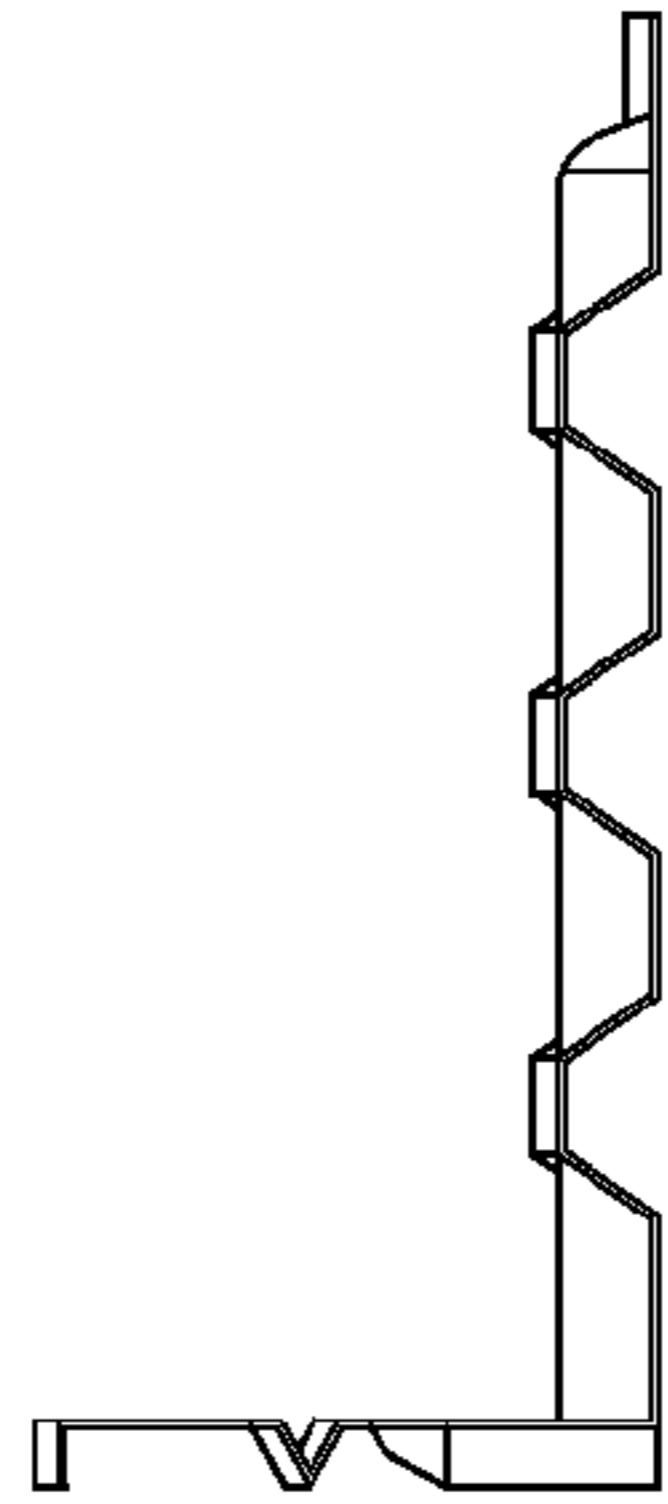


FIG. 5

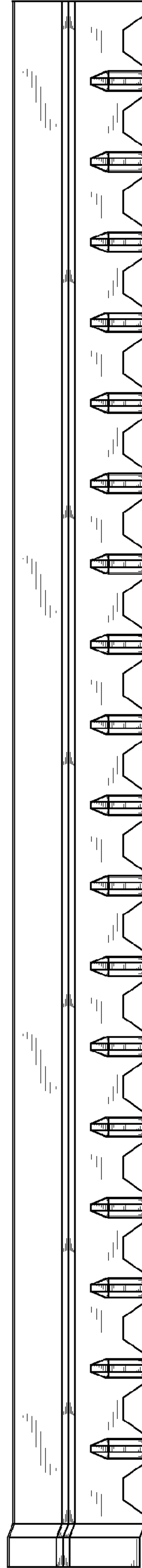


FIG. 7