



US00D613883S

(12) **United States Design Patent**  
**Staten et al.**

(10) **Patent No.:** **US D613,883 S**

(45) **Date of Patent:** **\*\* Apr. 13, 2010**

(54) **LOWER WALL EDGE SUPPORT**

(75) Inventors: **Kenneth Staten**, Clare, MI (US); **Brian Johnson**, Midland, MI (US)

(73) Assignee: **Serenus Johnson Portables, LLC**, Bay City, MI (US)

(\*\*) Term: **14 Years**

(21) Appl. No.: **29/331,838**

(22) Filed: **Feb. 2, 2009**

(51) **LOC (9) Cl.** ..... **25-01**

(52) **U.S. Cl.** ..... **D25/126**

(58) **Field of Classification Search** ..... D25/126,  
D25/199, 124; 52/169.9, 170, 223.8, 223.11,  
52/223.12, 235, 236.6, 238.1, 252, 264, 265,  
52/433, 475.1, 650.1, 684, 289

See application file for complete search history.

(56) **References Cited**

U.S. PATENT DOCUMENTS

2,132,220	A *	10/1938	Powers	52/334
3,163,267	A *	12/1964	Alziari	52/632
3,927,498	A *	12/1975	Benedetti	52/79.1
4,027,439	A *	6/1977	Willard	52/79.1
D273,334	S *	4/1984	Young	D25/126
5,214,900	A *	6/1993	Folkerts	52/696

5,488,809	A *	2/1996	Lindsay	52/653.1
D377,987	S *	2/1997	Enfedaque	D25/126
6,418,694	B1 *	7/2002	Daudet et al.	52/650.1
7,240,459	B2 *	7/2007	Daudet et al.	52/289

\* cited by examiner

*Primary Examiner*—Doris Clark

(74) *Attorney, Agent, or Firm*—Carlson, Gaskey & Olds PC

(57) **CLAIM**

We claim the ornamental design for the lower wall edge support, as shown and described.

**DESCRIPTION**

FIG. 1 is a perspective view of a shelter illustrating the location of a lower wall edge support;

FIG. 2 is an expanded section view which illustrates the lower wall edge support within the shelter

FIG. 3 is a perspective view of the lower wall edge support;

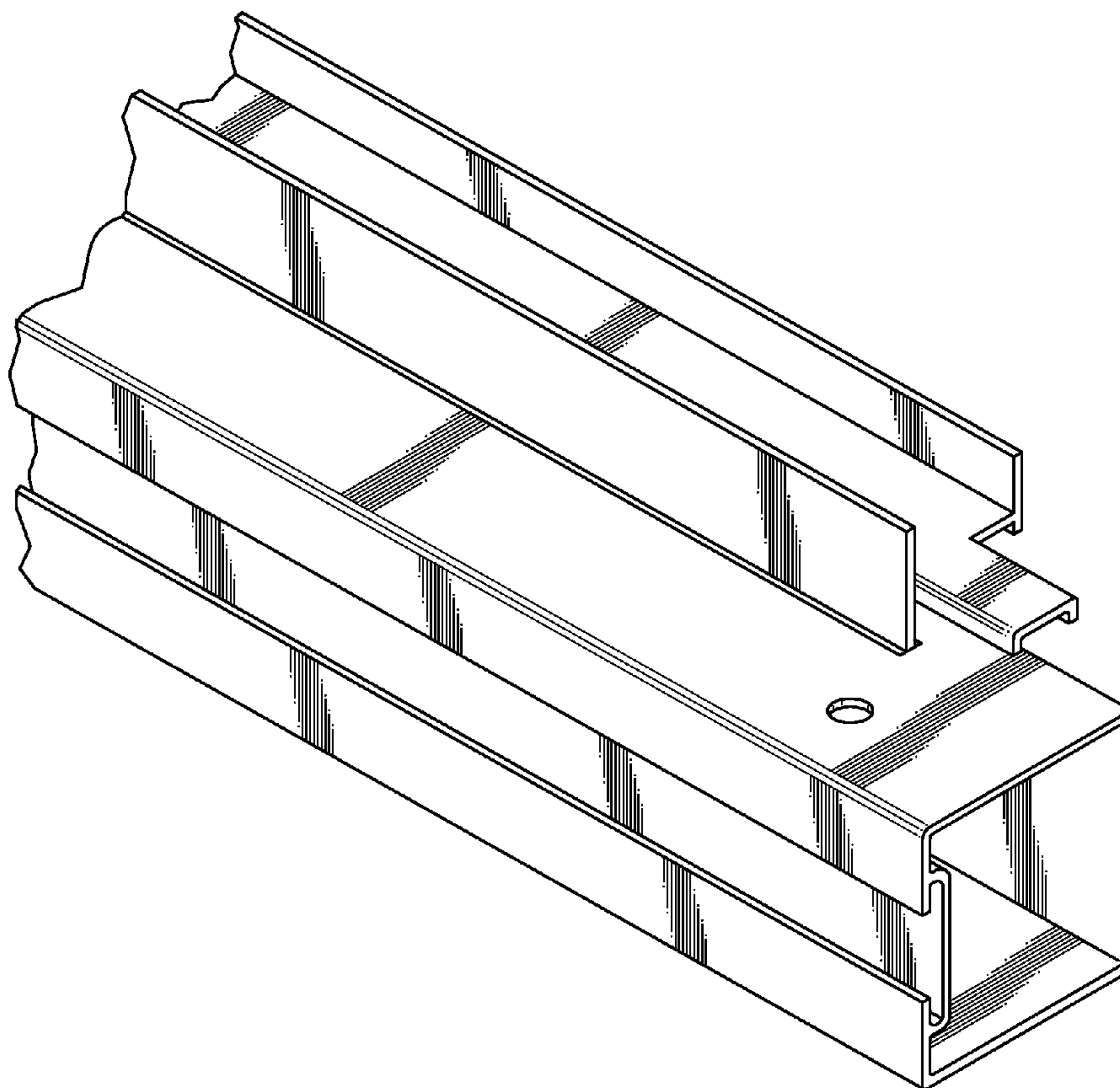
FIG. 4 is a top view of the lower wall edge support;

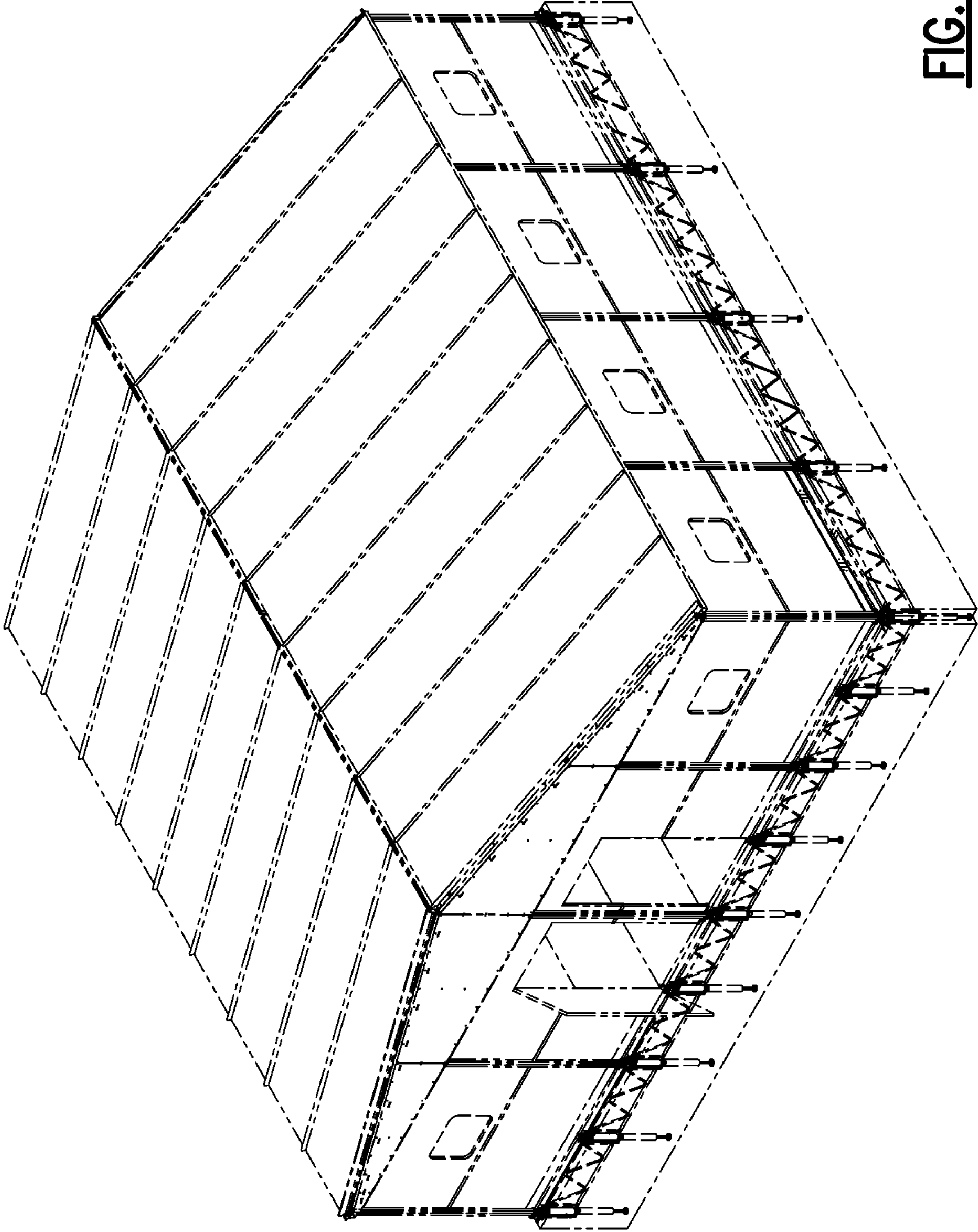
FIG. 5 is a side view of the lower wall edge support; and,

FIG. 6 is an end view of the lower wall edge support.

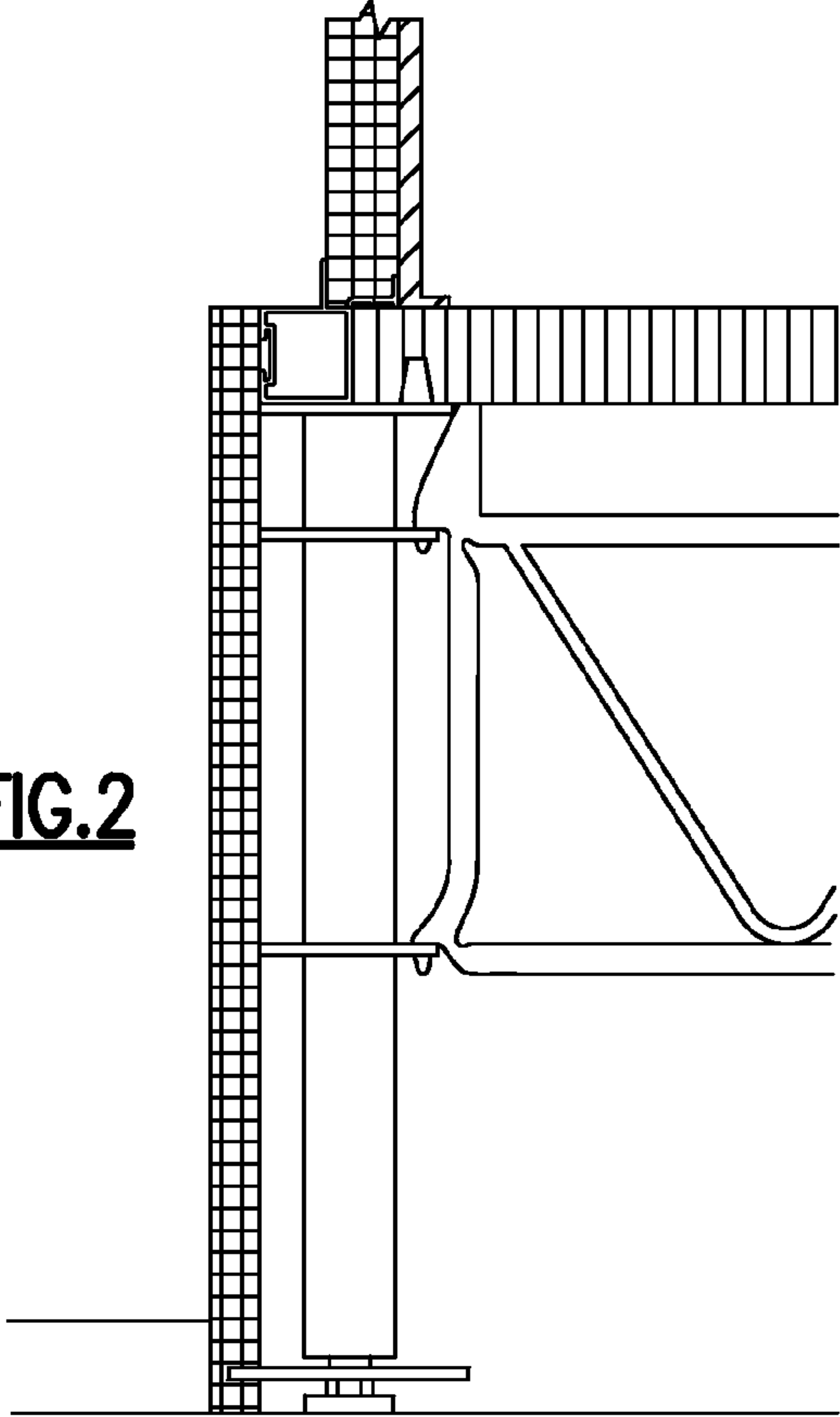
The broken lines are for illustrative purposes only and form no part of the claimed design.

**1 Claim, 3 Drawing Sheets**

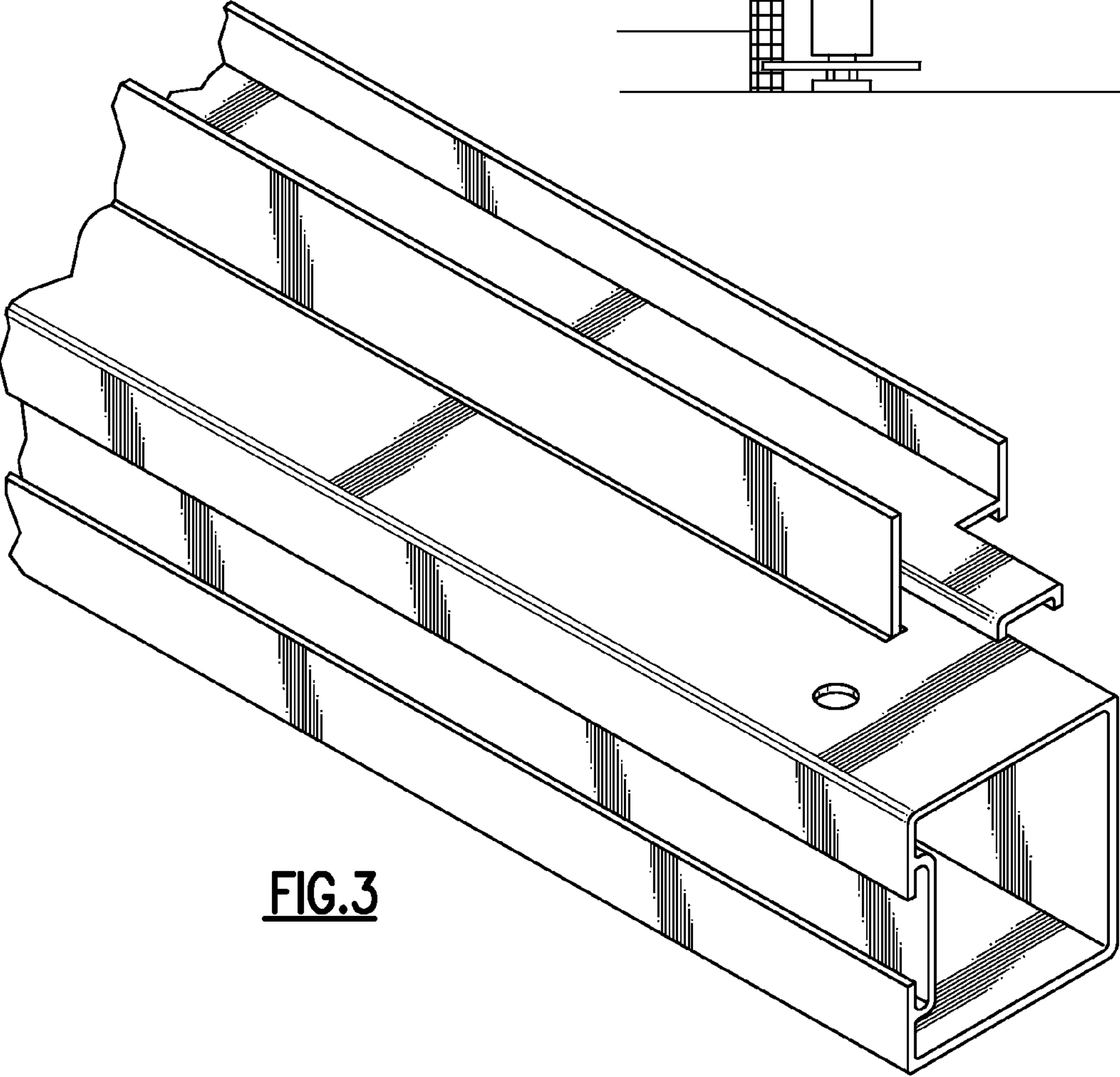




**FIG. 1**



**FIG. 2**



**FIG. 3**

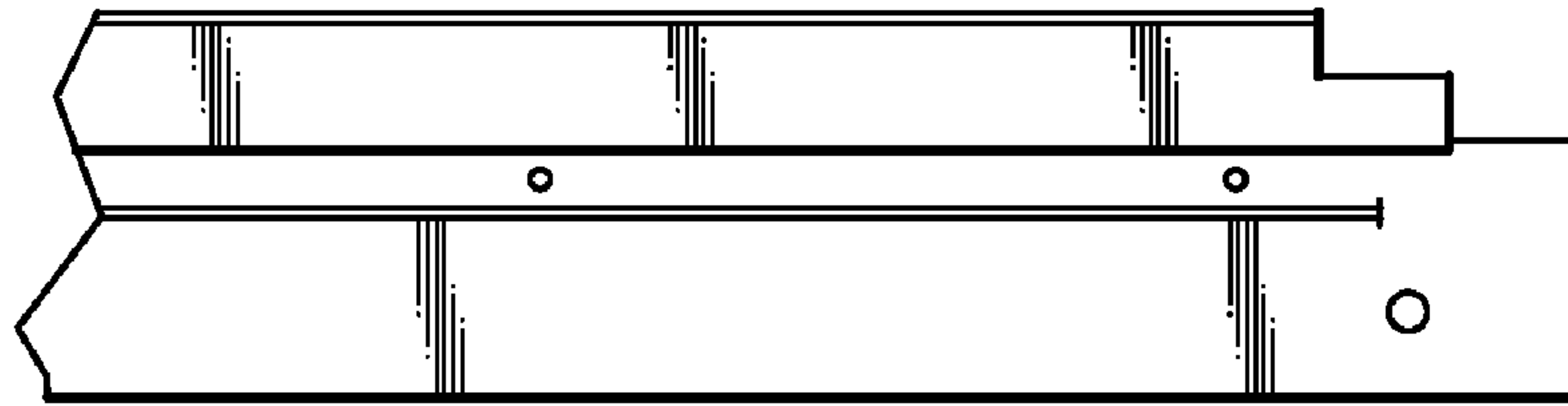


FIG. 4



FIG. 5

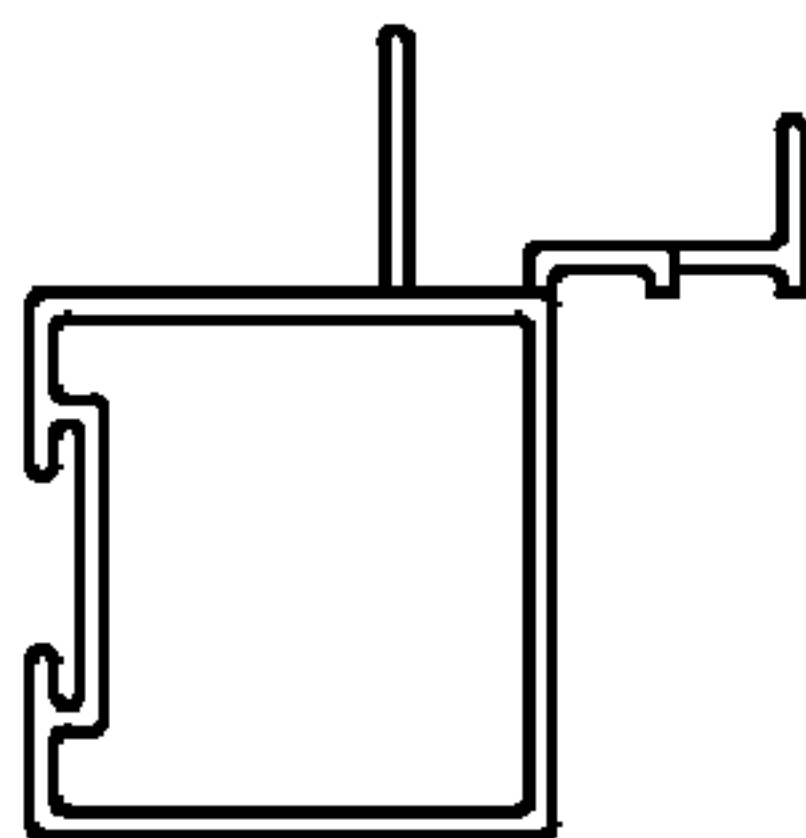


FIG. 6