



US00D613882S

(12) **United States Design Patent**  
**Thielke et al.**

(10) **Patent No.:** **US D613,882 S**  
(45) **Date of Patent:** **\*\* Apr. 13, 2010**

(54) **PILASTER FOR A PARTITION SYSTEM**

(75) Inventors: **Mark Anthony Thielke**, Menomonee Falls, WI (US); **Thomas Steve Persick**, New Berlin, WI (US); **Midchi Kirk Ody**, Jackson, WI (US)

(73) Assignee: **The Mills Company**, Sandusky, OH (US)

(\*\*) Term: **14 Years**

(21) Appl. No.: **29/281,907**

(22) Filed: **Jul. 5, 2007**

(51) **LOC (9) Cl.** ..... **25-01**

(52) **U.S. Cl.** ..... **D25/126**

(58) **Field of Classification Search** ..... D25/126;  
52/238.1, 241, 239, 243

See application file for complete search history.

(56) **References Cited**

**U.S. PATENT DOCUMENTS**

2,175,717	A *	10/1939	Kerr	52/65
3,194,361	A *	7/1965	Thurman	52/764
3,194,362	A *	7/1965	Wargo	52/126.4
4,881,353	A *	11/1989	Braendel et al.	52/239
5,367,844	A	11/1994	Diedrich	
5,437,065	A	8/1995	Sakawa	
5,816,000	A *	10/1998	Izatt et al.	52/238.1
D424,217	S *	5/2000	Beachy	D25/126
D459,493	S *	6/2002	Thornton et al.	D25/126
6,443,411	B1	9/2002	Merriweather, Jr.	
7,032,351	B2	4/2006	Redman	
7,152,257	B2	12/2006	Stratmann et al.	
2003/0140572	A1	7/2003	Hertzog et al.	

**OTHER PUBLICATIONS**

Scranton Products (Santana/Comtec/Capitol), Toilet Compartments Product Information, printed on Sep. 14, 2007 from www.

comtecindustries.com/Pages/prod1.htm, www.comtecindustries.com/Pages/prod1-6.htm, and www.comtecindustries.com/Pages/newdrawings.htm, believed to have been commercially available on or before May 4, 2006; 7 pages.

The Mills Company / Bradley Corporation, product brochure titled "Mills Partitions", displaying partition systems commercially available before Jul. 5, 2007; 6 pages.

(Continued)

*Primary Examiner*—Doris Clark

(74) *Attorney, Agent, or Firm*—Foley & Lardner LLP

(57) **CLAIM**

We claim the ornamental design for a pilaster for a partition system, as shown and described.

**DESCRIPTION**

FIG. 1 is a perspective view of a partition system comprising side walls/panels, doors, and pilasters.

FIG. 2 is a perspective view of a pilaster for a partition system showing our new design.

FIG. 3 is a front view of the design of FIG. 2, the rear view is a mirror image of FIG. 3.

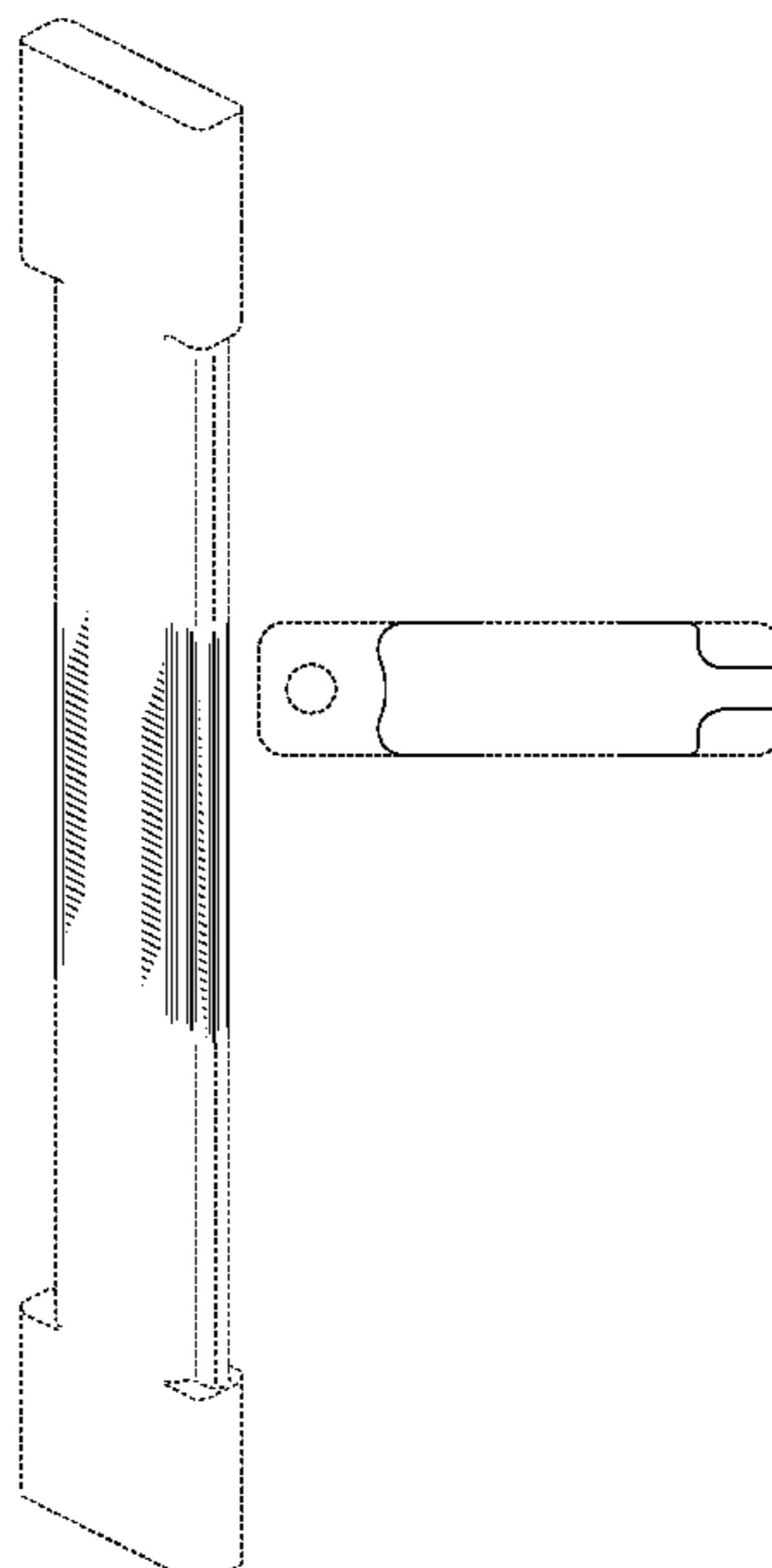
FIG. 4 is a left side view of the design of FIG. 2.

FIG. 5 is a right side view of the design of FIG. 2; and,

FIG. 6 is a section view of the design of FIG. 3 taken along line 6—6.

The ornamental design which is claimed is shown in solid lines in the drawings. Only a portion of the outer surface of the pilaster is being claimed. No part of the interior of the pilaster is being claimed. The broken lines and non-shaded areas in the drawings are for illustrative purposes only and form no part of the claimed design.

**1 Claim, 5 Drawing Sheets**



OTHER PUBLICATIONS

The Mills Company / Bradley Corporation, Mills Partitions Technical Data for Restroom Partitions—Overview, bearing a designation “Jul. 8, 2004”; 1 page.

The Mills Company / Bradley Corporation, Baked Enamel & Stainless Steel Fastener Parts & Price List, bearing a designation “Jul. 24, 20007”; 22 pages.

The Mills Company / Bradley Corporation, Plastic Laminate Fastener Parts & Price List for 400 Series, 500 Series, 600 Series, and 700 Series, bearing a designation “Aug. 11, 2005”; 16 pages.

The Mills Company / Bradley Corporation, Phenolic Fastener Parts & Price List, bearing a designation “Apr. 3, 2006”; 12 pages.

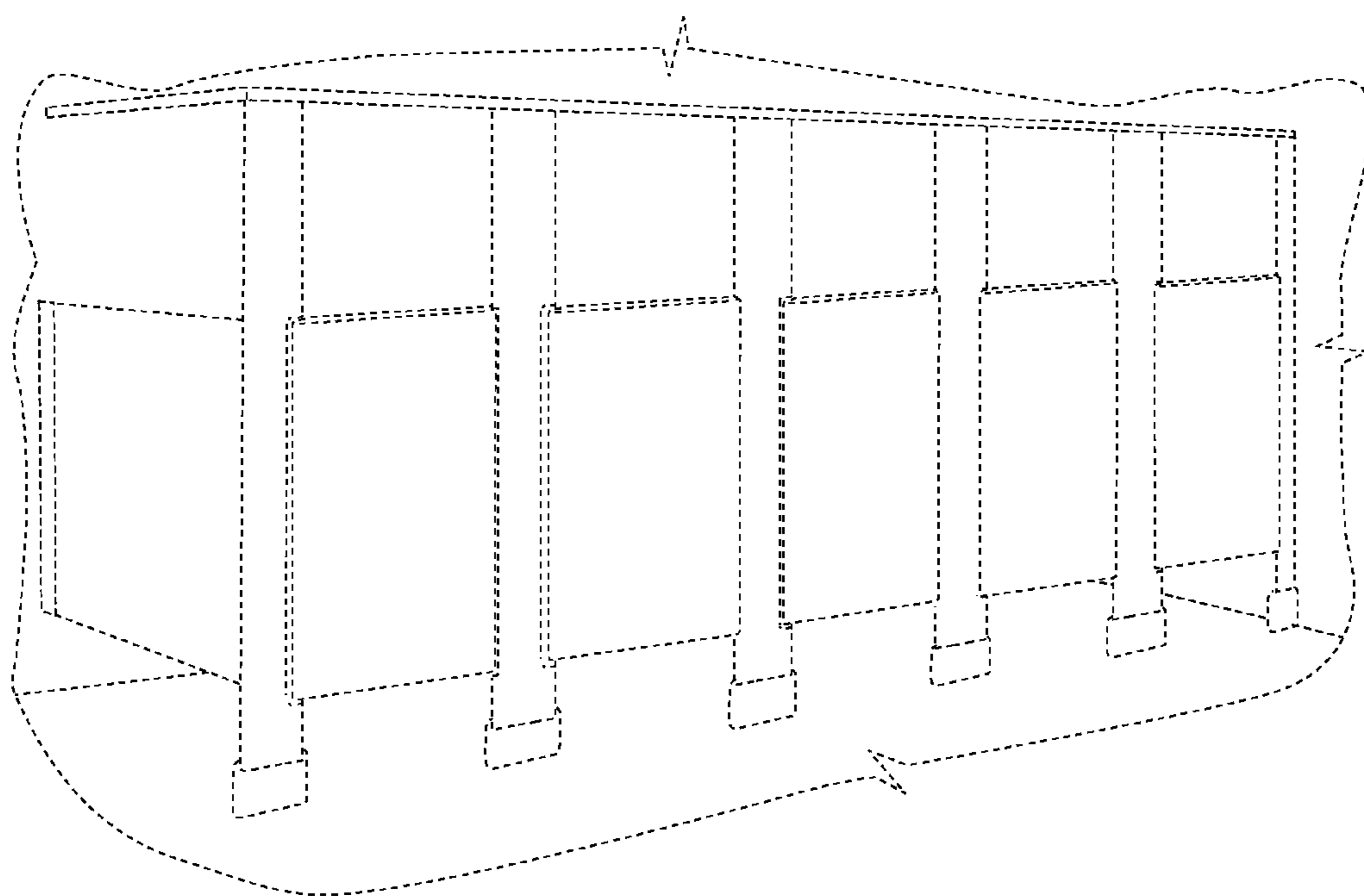
The Mills Company / Bradley Corporation, Bradmar Fastener Parts & Price List for Sentinel—400 Series, bearing a designation “Aug. 11, 2005”; 12 pages.

Bradley Corporation, Mills Partitions, Commercial Washroom Innovation, Jan. 2006; 8 pages.

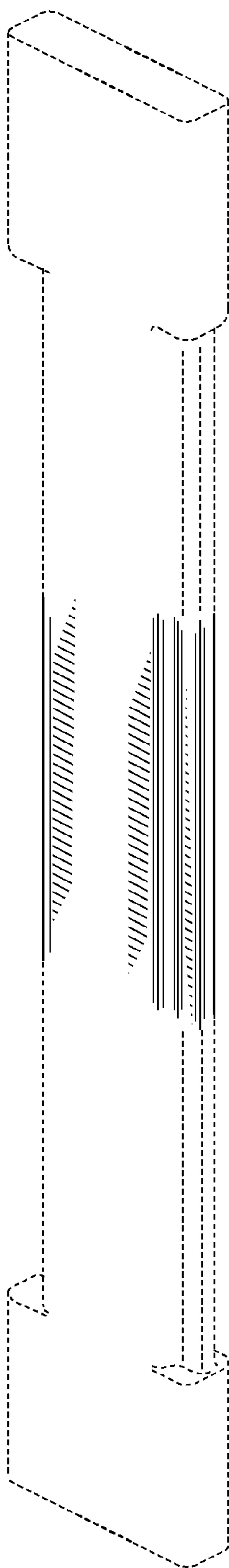
Bradley Corporation, Mills Partitions, Sep. 2001: 8 pages.

Photographs of Washroom Partitions, publicly available before Jul. 5, 2007; 20 pages.

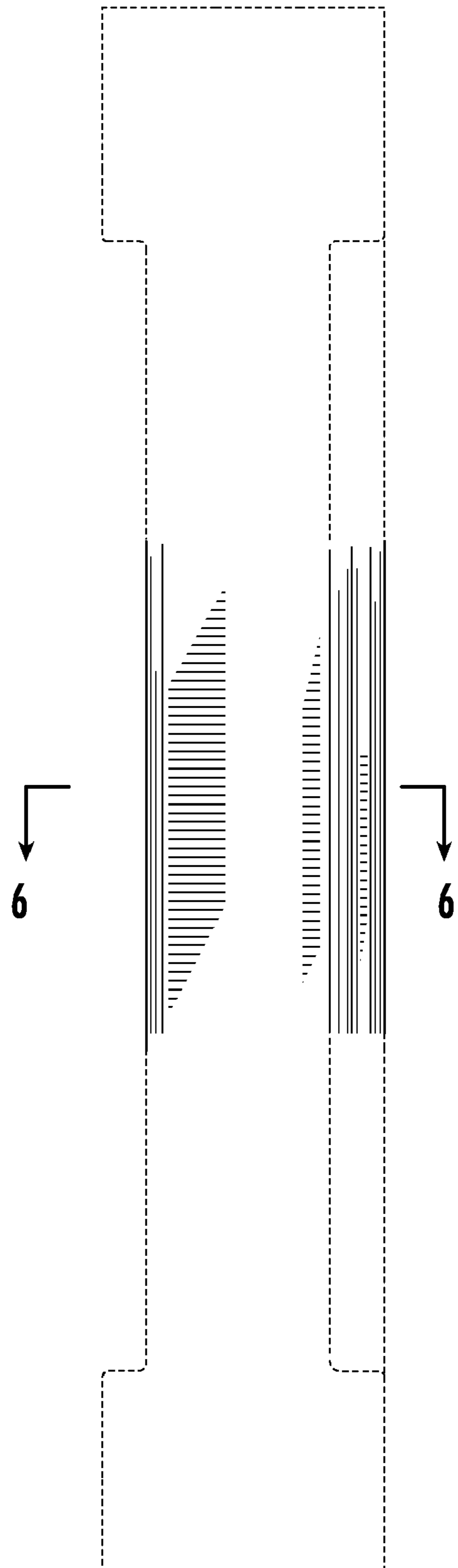
\* cited by examiner



**FIG. 1**



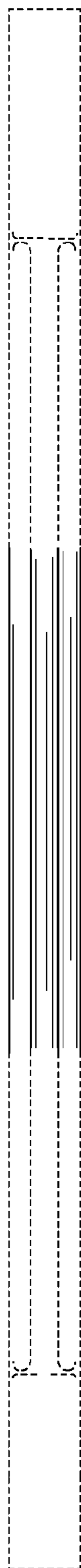
**FIG. 2**



**FIG. 3**



**FIG. 4**



**FIG. 5**



**FIG. 6**