



US00D613876S

(12) **United States Design Patent**
Hazlett, Jr.

(10) **Patent No.:** **US D613,876 S**
(45) **Date of Patent:** **** Apr. 13, 2010**

(54) **LIGHTHOUSE**

(76) Inventor: **Edward J. Hazlett, Jr.**, 10529 Lake
View Ave. SW., Suite C, Lakewood, WA
(US) 98499

(**) Term: **14 Years**

(21) Appl. No.: **29/339,782**

(22) Filed: **Jul. 7, 2009**

(51) **LOC (9) Cl.** **25-03**

(52) **U.S. Cl.** **D25/32**

(58) **Field of Classification Search** D25/1,
D25/5-7, 14, 16, 18, 23, 26, 32; D21/483,
D21/506, 510, 727; D26/47, 95; 340/332;
446/476, 477; 362/35, 808

See application file for complete search history.

(56) **References Cited**

U.S. PATENT DOCUMENTS

D58,283 S *	6/1921	Woodard	D12/199
D75,288 S *	5/1928	Rockhill	D25/5
D75,294 S *	5/1928	Smith	D25/7
D81,193 S *	5/1930	James	D25/7
D85,391 S *	10/1931	Parducci	D25/3
2,636,314 A *	4/1953	Martinez	446/477
D209,191 S *	11/1967	De Sieno	D25/22
D213,095 S *	1/1969	Bender	D25/32
3,977,200 A *	8/1976	Maattanen	405/195.1
D245,867 S *	9/1977	Holland	D25/23
D248,735 S *	8/1978	Tally, Jr.	D10/114
D323,355 S *	1/1992	Dolifka	D20/3
D368,337 S *	3/1996	Dickinson	D30/127

D370,265 S *	5/1996	Edwards	D25/19
D438,817 S *	3/2001	Reaver	D11/157
D444,521 S *	7/2001	Mihoces	D21/727
D471,122 S *	3/2003	Bosman et al.	D10/107
D516,270 S *	2/2006	Mathis	D99/30
D521,185 S *	5/2006	Lin	D27/150
D523,673 S *	6/2006	Nida	D6/523
D560,011 S *	1/2008	Thomason	D26/47

* cited by examiner

Primary Examiner—Ian Simmons

Assistant Examiner—Mark A Goodwin

(74) *Attorney, Agent, or Firm*—Thomas E. Loop; Graybeal
Jackson LLP

(57) **CLAIM**

The ornamental design for a lighthouse, as shown and
described.

DESCRIPTION

FIG. 1 is a pictorial view of a lighthouse showing my new
design.

FIG. 2 is a front elevational view of the lighthouse of FIG. 1.

FIG. 3 is a side elevational view of the lighthouse of FIG. 1.

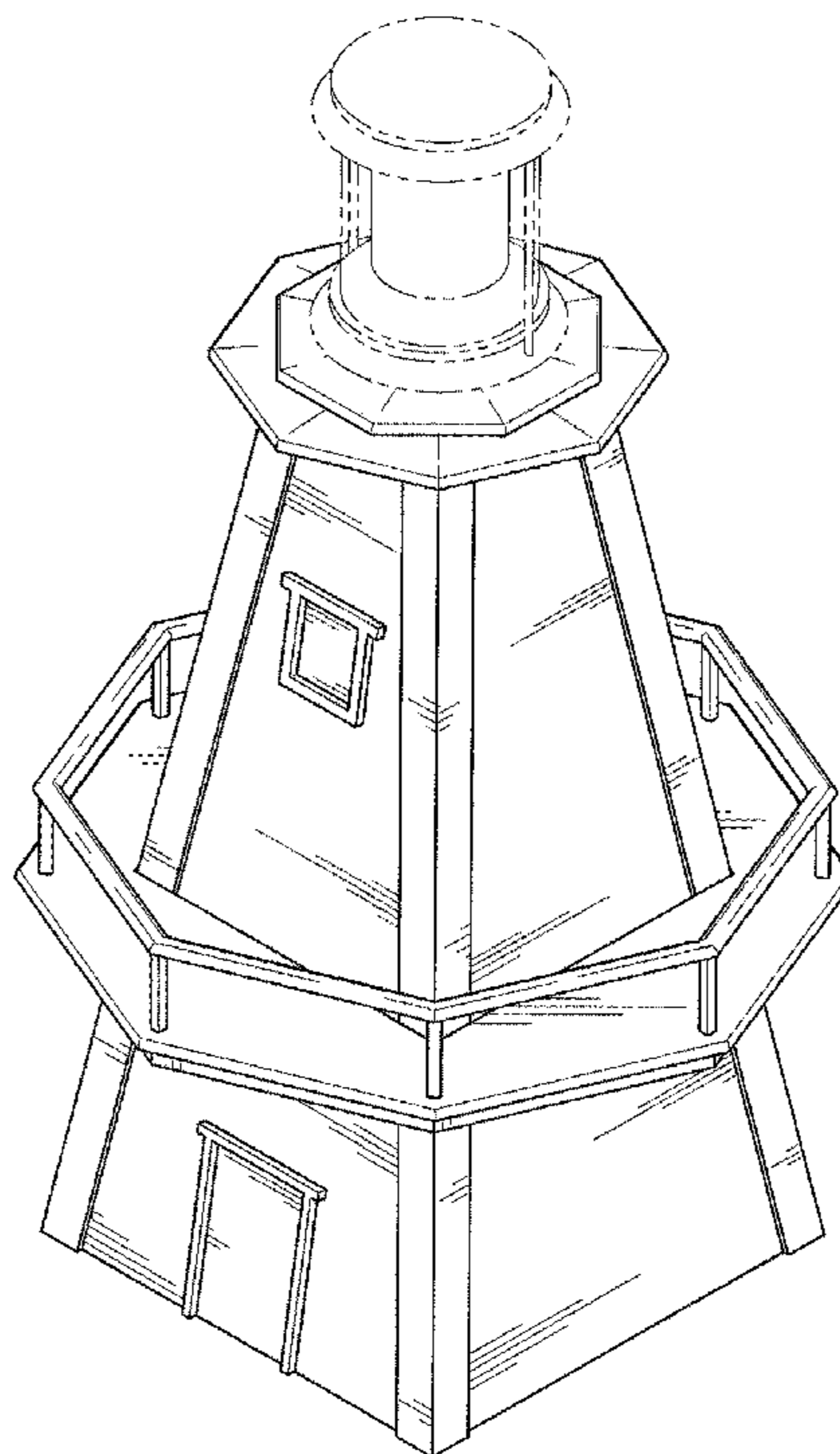
FIG. 4 is a back elevational view of the lighthouse of FIG. 1.

FIG. 5 is a top view of the lighthouse of FIG. 1; and,

FIG. 6 is a bottom view of the lighthouse of FIG. 1.

The broken line showing of the light structure is included for
the purpose of illustrating portions of the lighthouse and
forms no part of the claimed design.

1 Claim, 4 Drawing Sheets



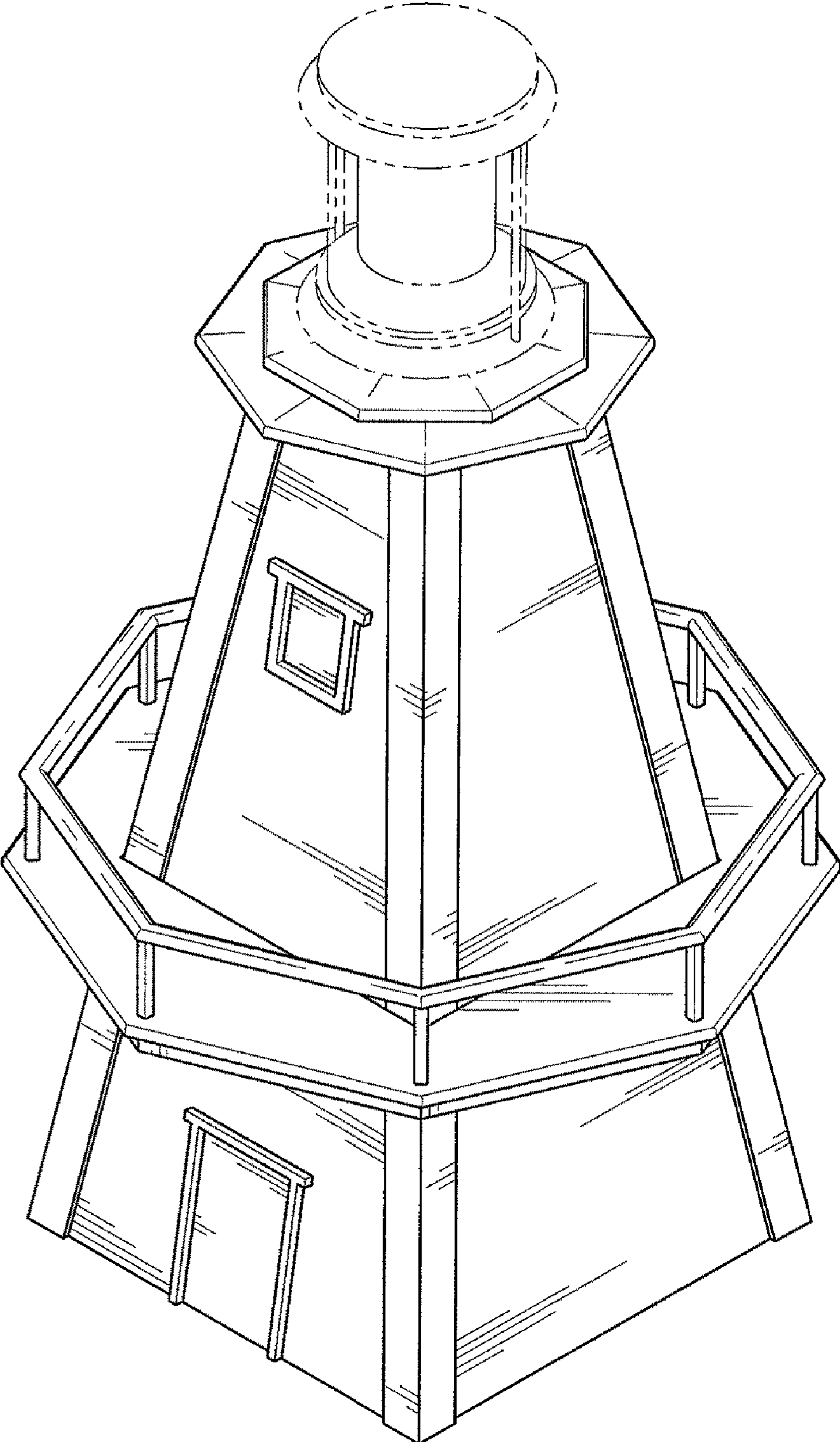


Fig. 1

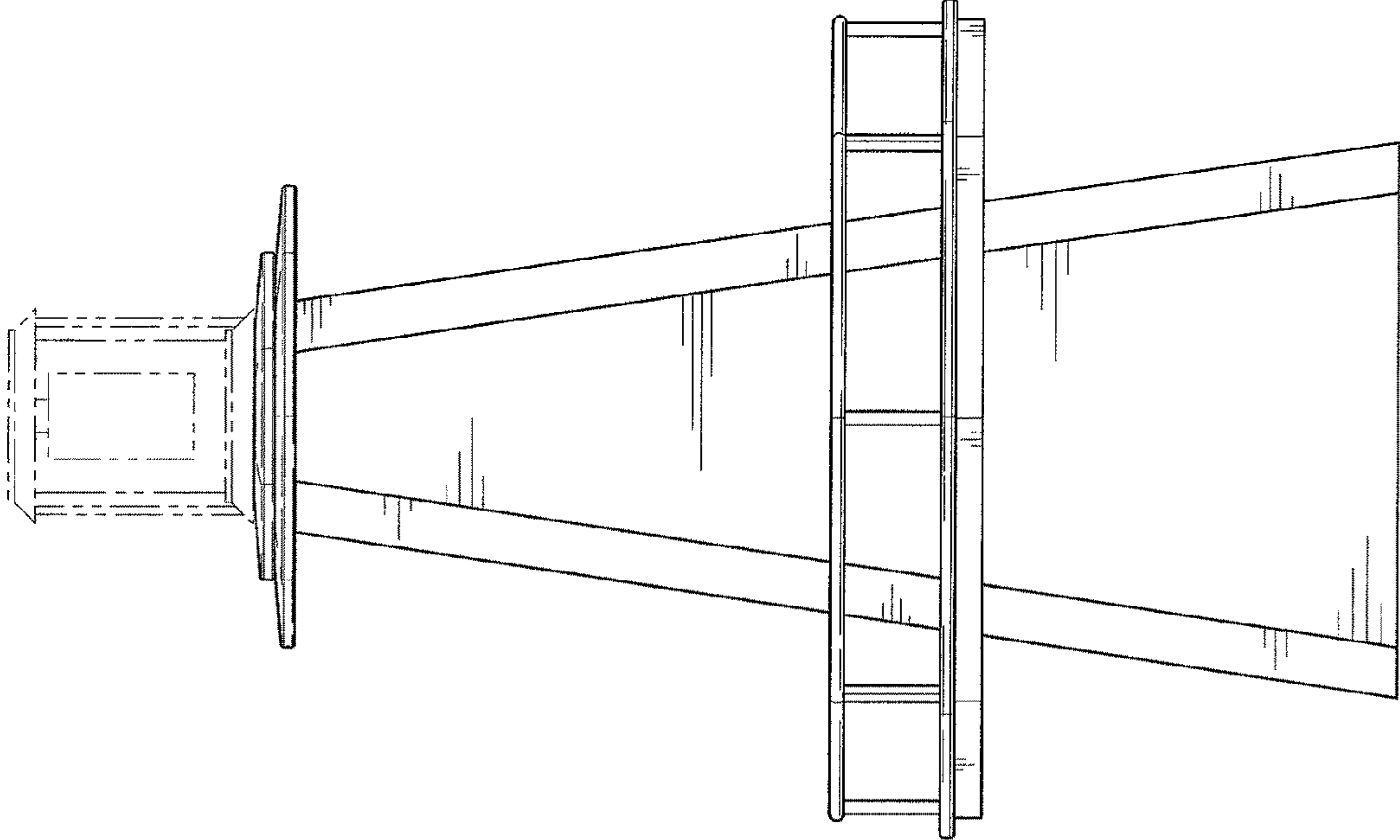


Fig. 3

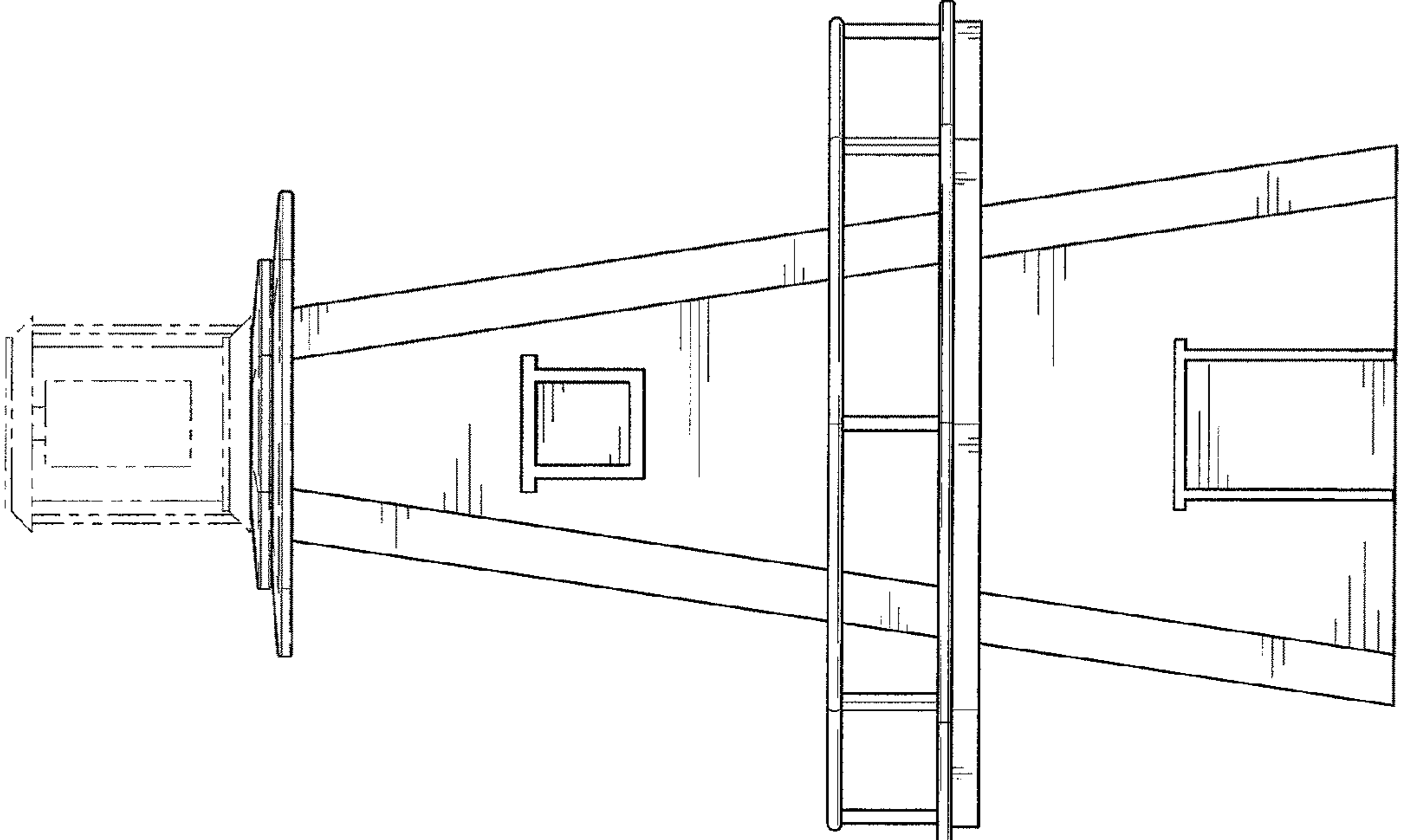


Fig. 2

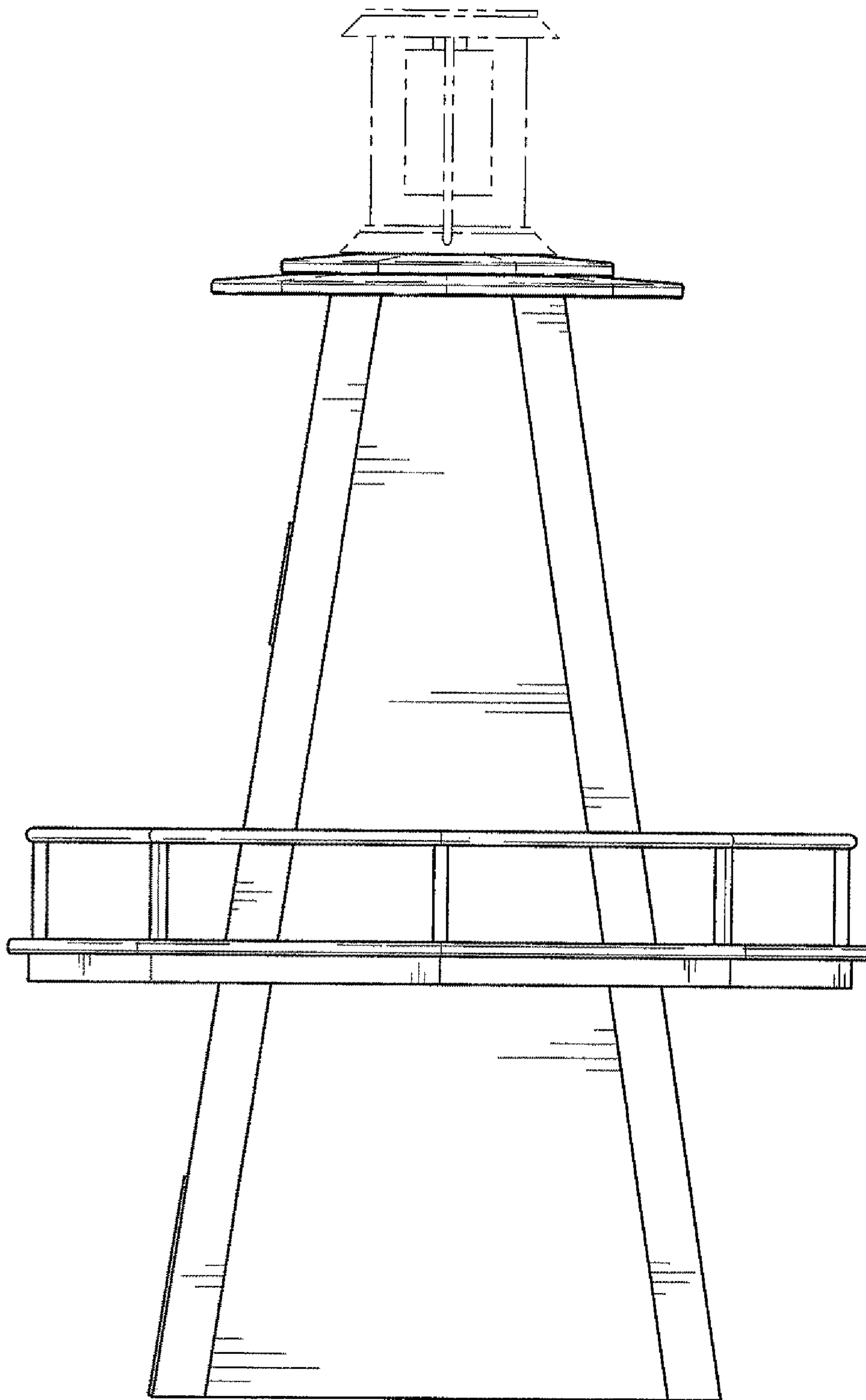


Fig. 4

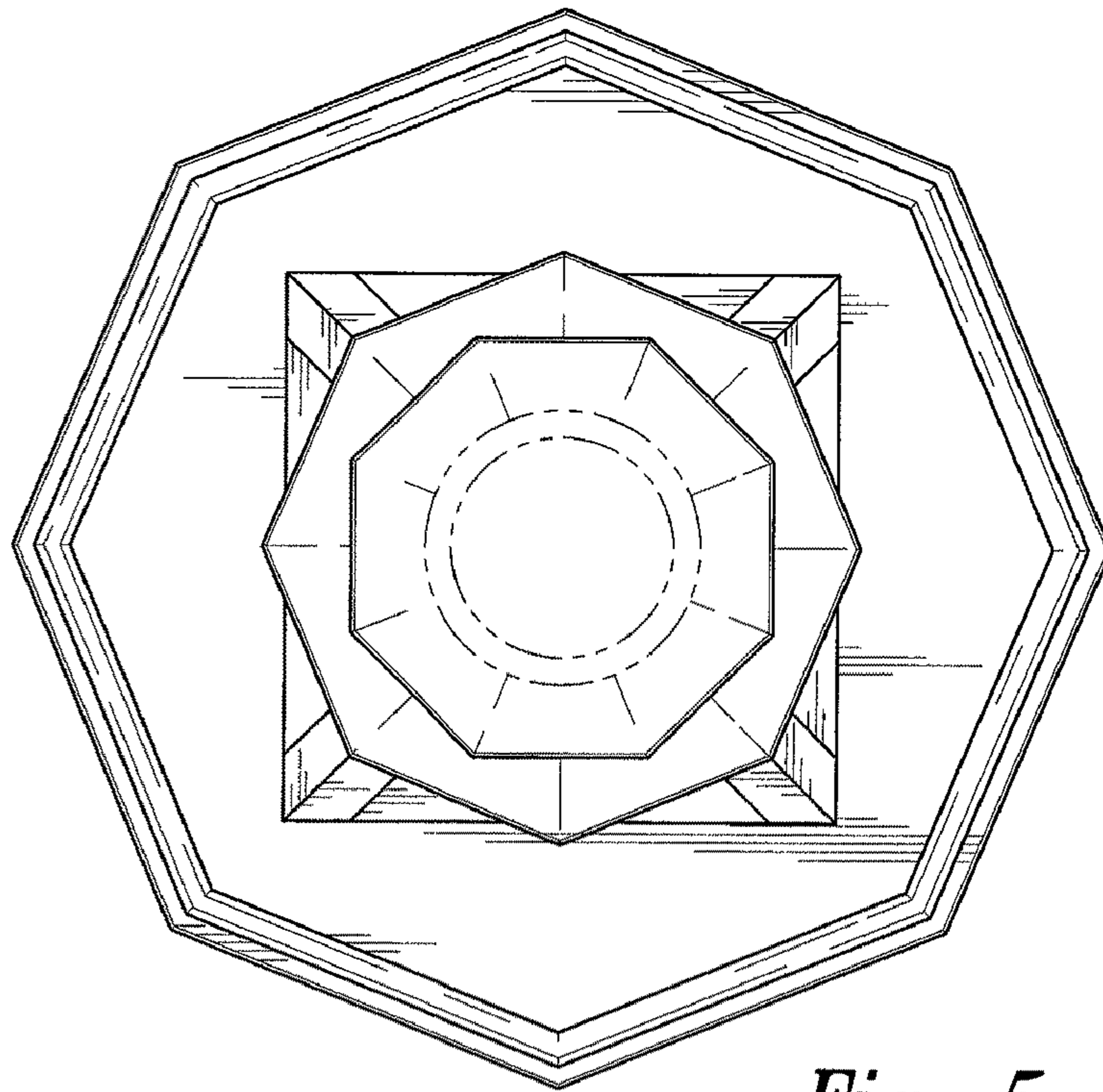


Fig. 5

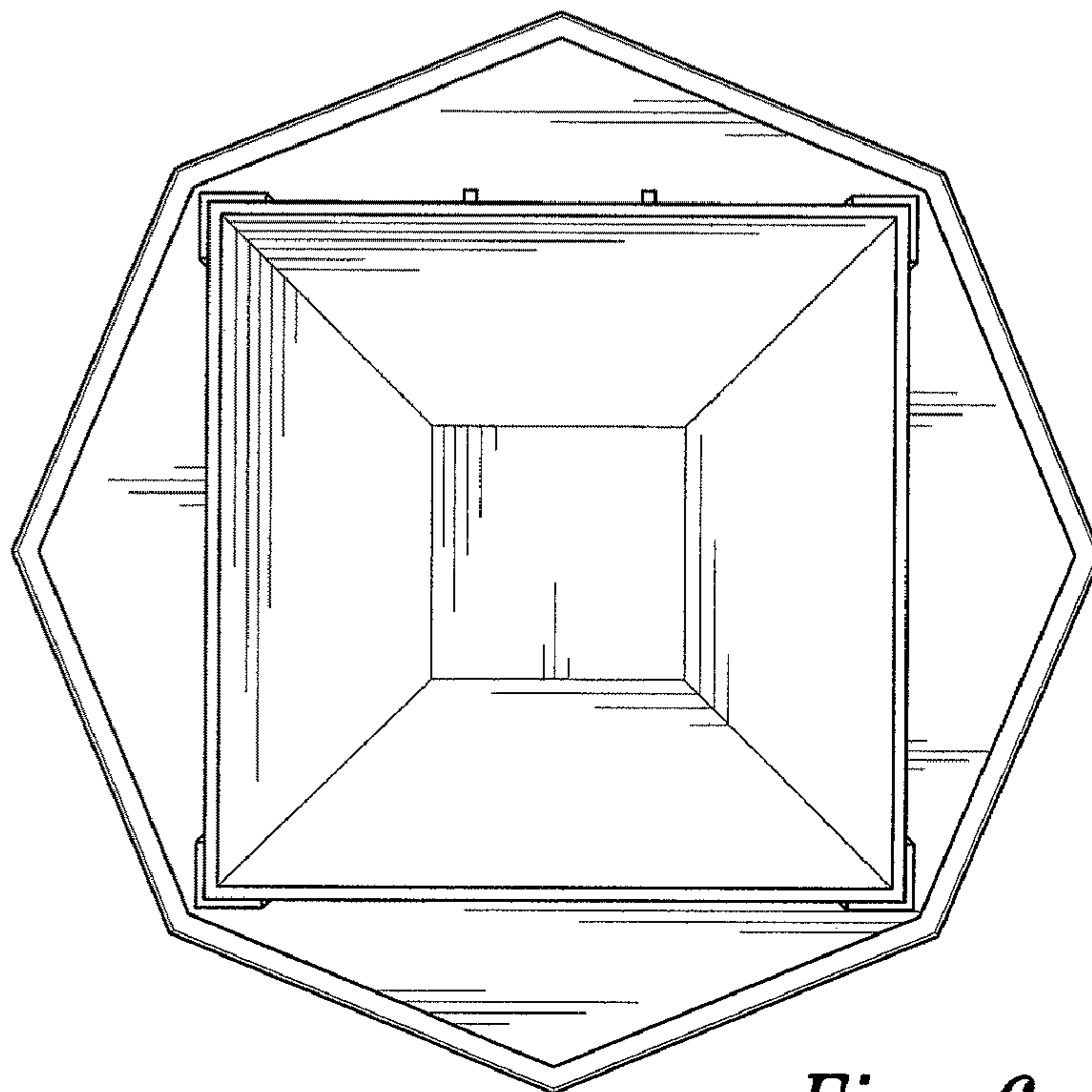


Fig. 6