



US00D613875S

(12) **United States Design Patent**  
**Mcdevitt**

(10) **Patent No.:** **US D613,875 S**  
(45) **Date of Patent:** **\*\* Apr. 13, 2010**

(54) **MEDICATION ORGANIZER**

(76) Inventor: **Sarah Mcdevitt**, 32 Copley Rd., South  
Glastonbury, CT (US) 06073

(\*\*) Term: **14 Years**

(21) Appl. No.: **29/313,402**

(22) Filed: **Jan. 5, 2009**

(51) **LOC (9) Cl.** ..... **24-01**

(52) **U.S. Cl.** ..... **D24/227**

(58) **Field of Classification Search** ..... D24/217,  
D24/227-232; D9/414-415, 418, 423-429,  
D9/432, 435, 761; 220/4.21-4.22, 23.8,  
220/23.87, 532-533, 835; 206/386, 425,  
206/508, 511, 518-521, 541, 555, 558, 564,  
206/572; 422/102, 104; D19/75, 77, 78,  
D19/83, 85, 86, 92, 95; 604/174; D6/449  
See application file for complete search history.

(56) **References Cited**

**U.S. PATENT DOCUMENTS**

D268,130 S *	3/1983	Easton	.....	D24/230
D270,256 S *	8/1983	Sankey	.....	D19/77
D276,462 S *	11/1984	Villarreal	.....	D24/229
D295,540 S *	5/1988	Rabig	.....	D19/92
D301,590 S *	6/1989	Foran et al.	.....	D19/77
D303,813 S *	10/1989	Foran et al.	.....	D19/95
D304,842 S *	11/1989	Barone et al.	.....	D19/75
D317,178 S *	5/1991	Kheng	.....	D19/85
D317,627 S *	6/1991	Lapadakis	.....	D19/78
D332,630 S *	1/1993	Brussing	.....	D19/77

D332,631 S *	1/1993	Klodt	.....	D19/86
D337,830 S *	7/1993	Coyne et al.	.....	D24/227
D352,068 S *	11/1994	Adams	.....	D19/83
D354,516 S *	1/1995	Crist et al.	.....	D19/92
D355,217 S *	2/1995	Luna	.....	D19/92
D359,179 S *	6/1995	Cucinotta	.....	D6/449
D361,598 S *	8/1995	Adams	.....	D19/95
D385,920 S *	11/1997	Tisbo	.....	D19/75
D438,634 S *	3/2001	Merry	.....	D24/227
D442,697 S *	5/2001	Hajianpour	.....	D24/229
D450,391 S *	11/2001	Hunt et al.	.....	D24/227
D486,580 S *	2/2004	Abdel-Model	.....	D24/229
D585,494 S *	1/2009	Yoshikawa	.....	D19/78
D585,495 S *	1/2009	Yoshikawa	.....	D19/78

\* cited by examiner

*Primary Examiner*—T. Chase Nelson  
*Assistant Examiner*—Mark Cavanna  
(74) *Attorney, Agent, or Firm*—Robert S. Smith

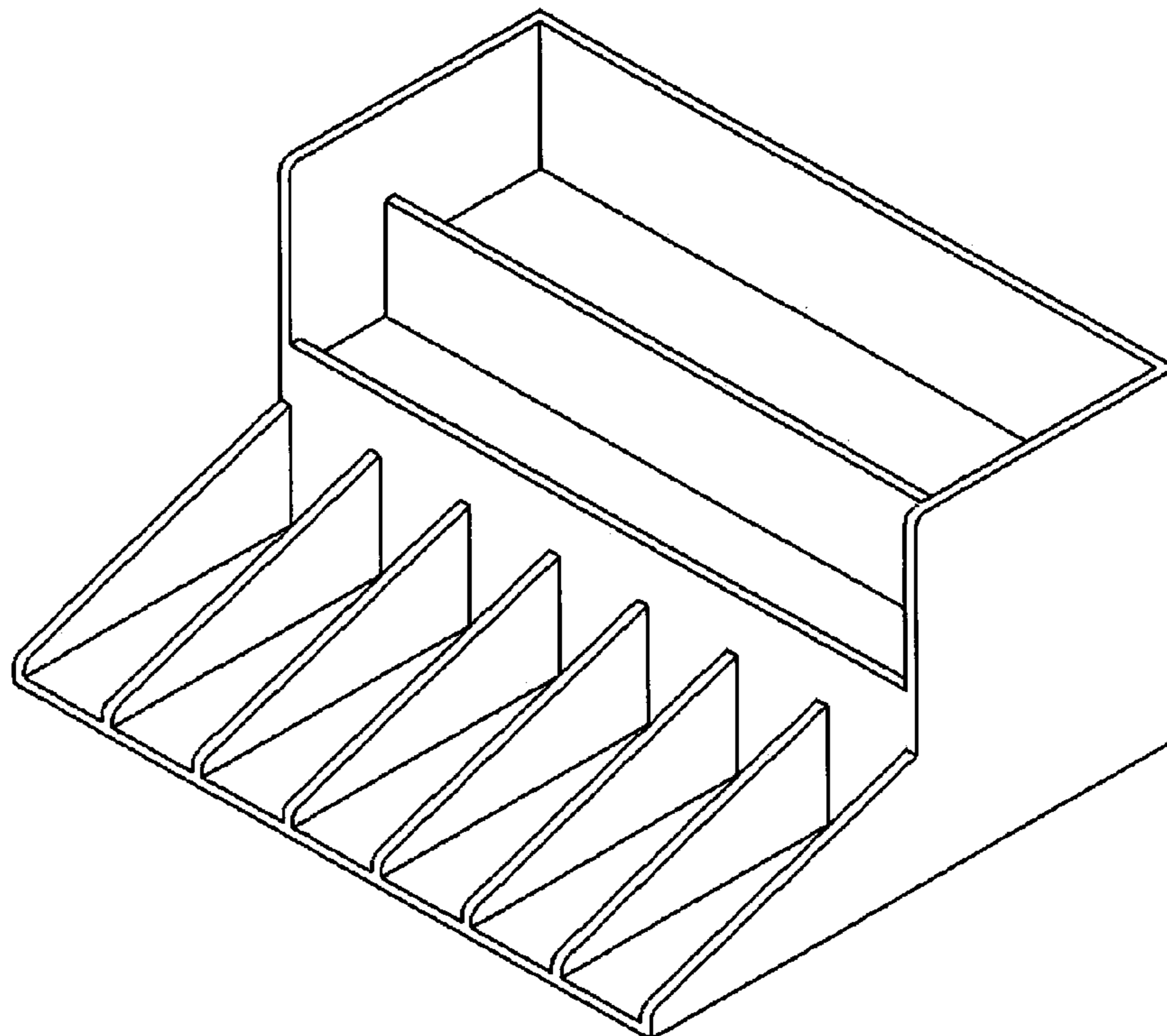
(57) **CLAIM**

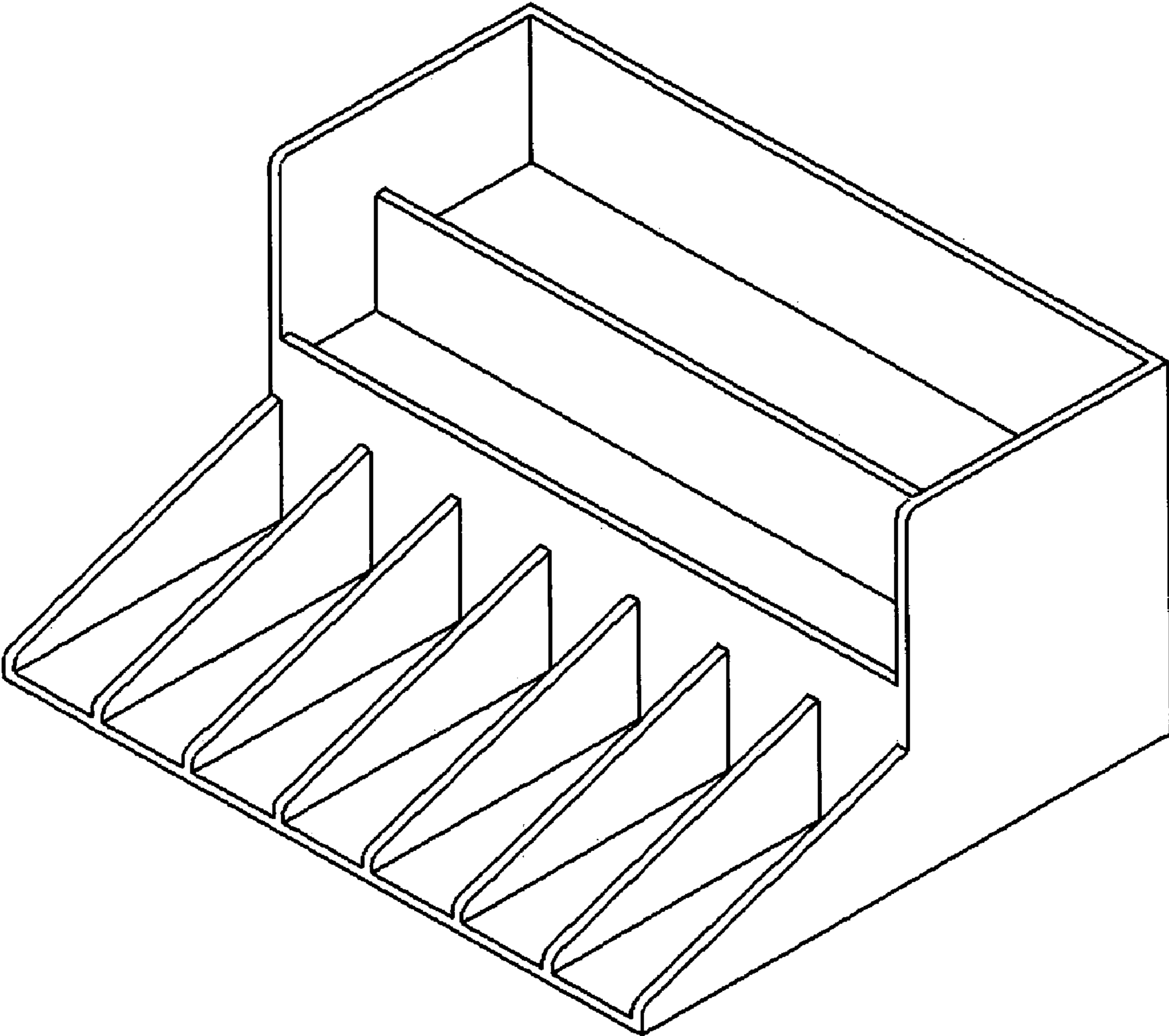
The ornamental design for a medication organizer, as shown and described.

**DESCRIPTION**

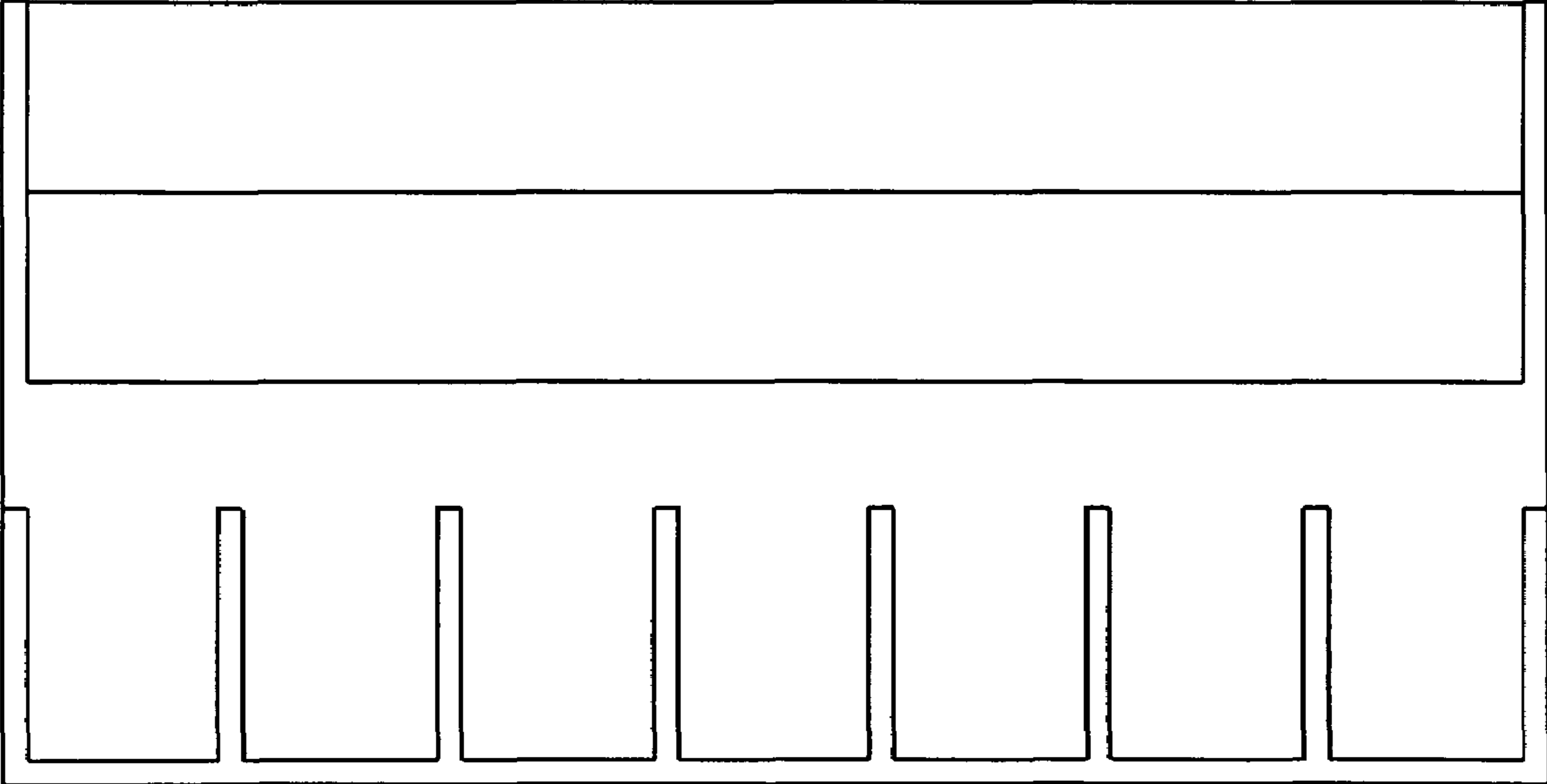
FIG. 1 is a perspective view of the embodiment of the medication organizer of the present invention.  
FIG. 2 is a front view of the medication organizer.  
FIG. 3 is a top view of the medication organizer; and,  
FIG. 4 is a side view of the medication organizer.

**1 Claim, 4 Drawing Sheets**

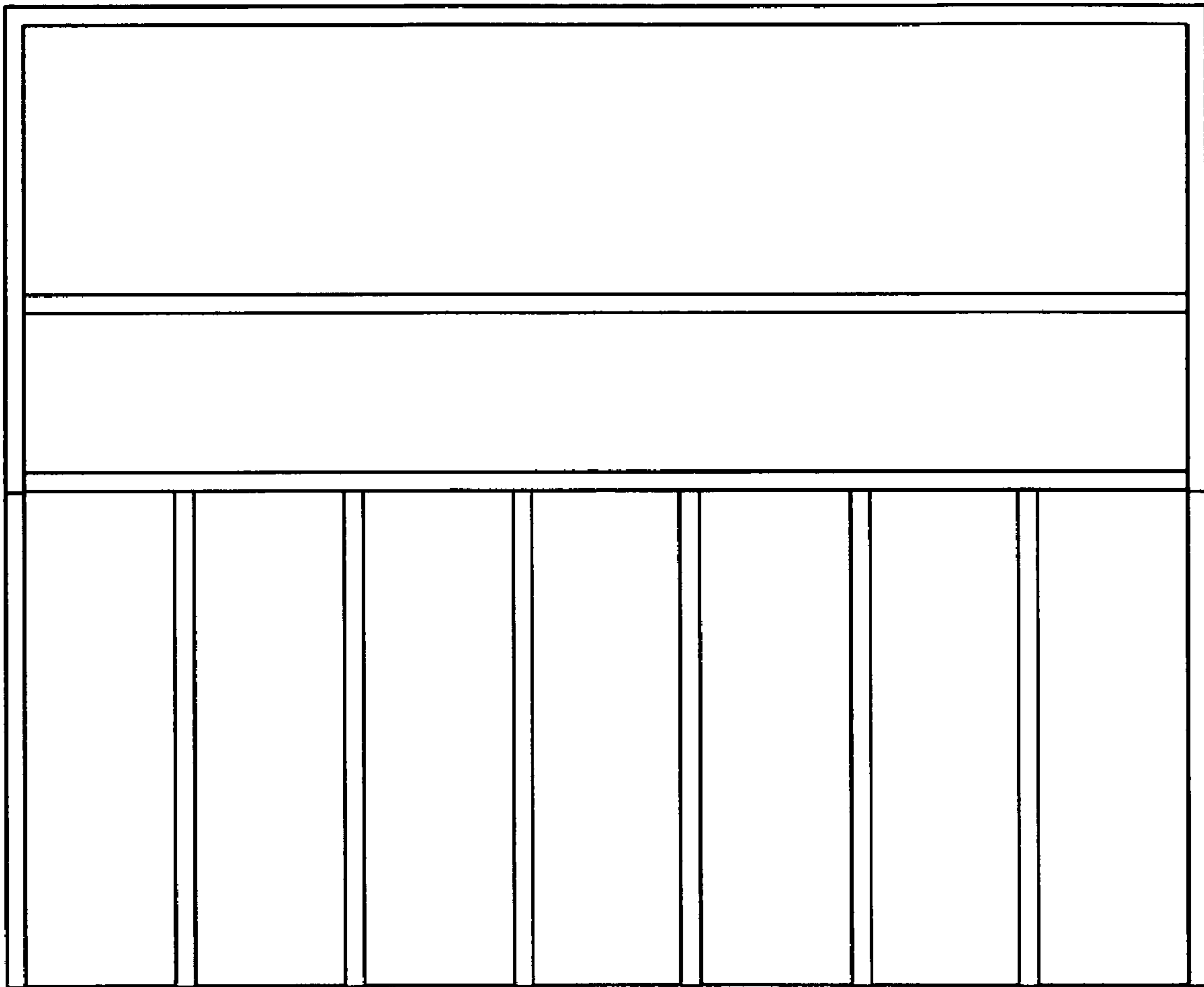




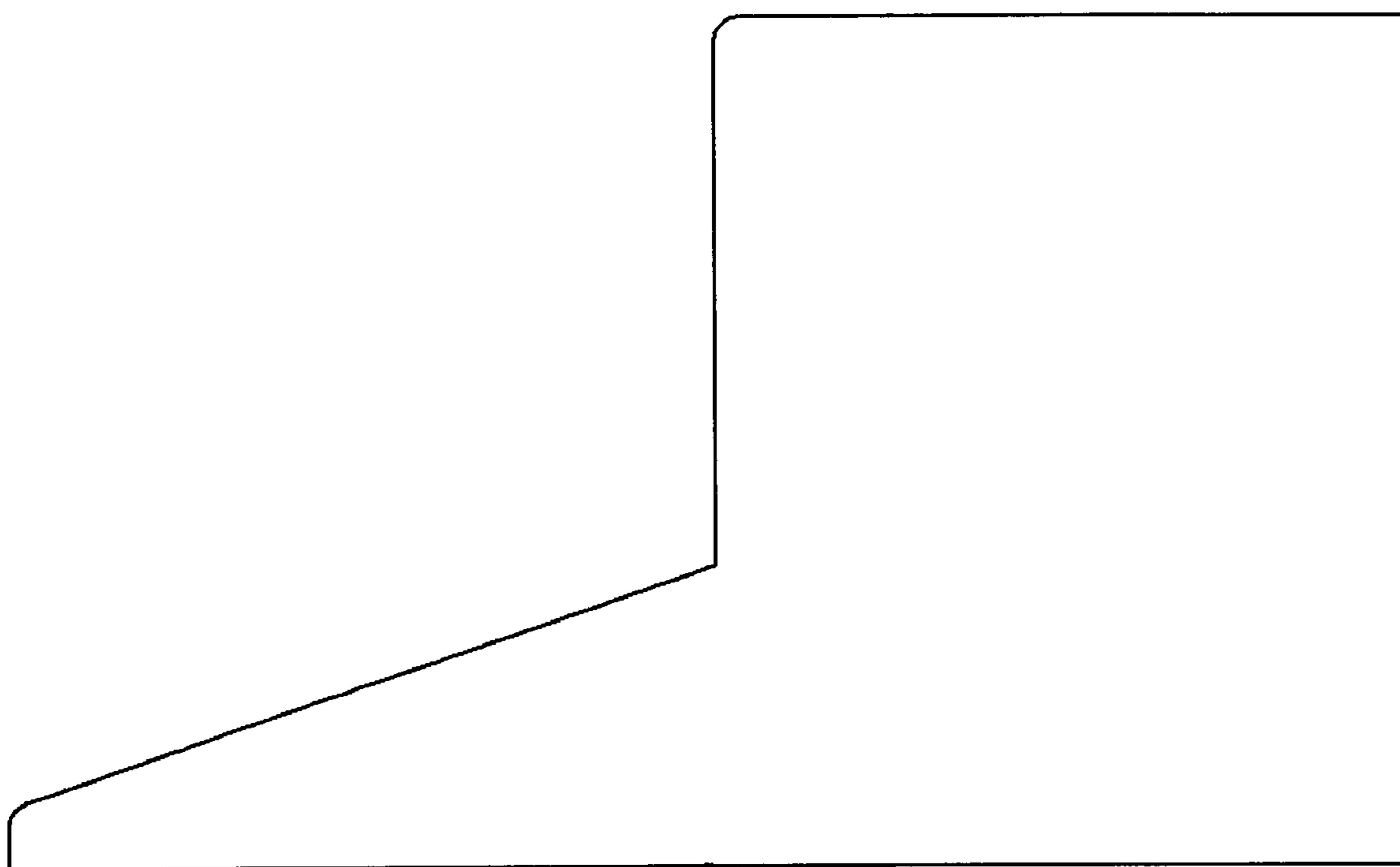
**FIG. 1**



**FIG. 2**



**FIG. 3**



**FIG. 4**