



US00D613874S

(12) **United States Design Patent**  
**Lafond**

(10) **Patent No.:** **US D613,874 S**

(45) **Date of Patent:** **\*\* Apr. 13, 2010**

(54) **SAMPLING DISH**

(75) Inventor: **Andre Lafond**, St-Hilaire (CA)

(73) Assignee: **3088081 Canada Inc.**, St-Hilaire (CA)

(\*\*) Term: **14 Years**

(21) Appl. No.: **29/338,723**

(22) Filed: **Jun. 17, 2009**

(51) **LOC (9) Cl.** ..... **24-01**

(52) **U.S. Cl.** ..... **D24/226**

(58) **Field of Classification Search** ..... D24/216,  
D24/222–226, 231, 232, 169; D10/80, 81;  
422/99, 100, 102; 435/288.1, 288.3, 289.1,  
435/305.1, 305.2, 309.1; D9/503–504; D7/541  
See application file for complete search history.

(56) **References Cited**

**U.S. PATENT DOCUMENTS**

3,165,450	A *	1/1965	Scheidt	.....	D24/226
D258,761	S *	3/1981	Graham	.....	D24/226
D295,319	S *	4/1988	Franchere et al.	.....	D24/224
D316,752	S *	5/1991	Ricketts	.....	D24/226
D316,753	S *	5/1991	Ricketts	.....	D24/224
D411,308	S *	6/1999	Pandey et al.	.....	D24/230
6,602,704	B1 *	8/2003	Maxwell et al.	.....	435/288.3

D563,560 S \* 3/2008 Copeland ..... D24/224

\* cited by examiner

*Primary Examiner*—T. Chase Nelson

*Assistant Examiner*—Anhdao Doan

(74) *Attorney, Agent, or Firm*—Goudreau Gage Dubuc;  
Gwendoline Bruneau

(57) **CLAIM**

The ornamental design for a sampling dish, as shown and described.

**DESCRIPTION**

FIG. 1 is a perspective view of a sampling dish showing my new design;

FIG. 2 is a top view thereof;

FIG. 3 is a first side view thereof;

FIG. 4 is a second side view thereof;

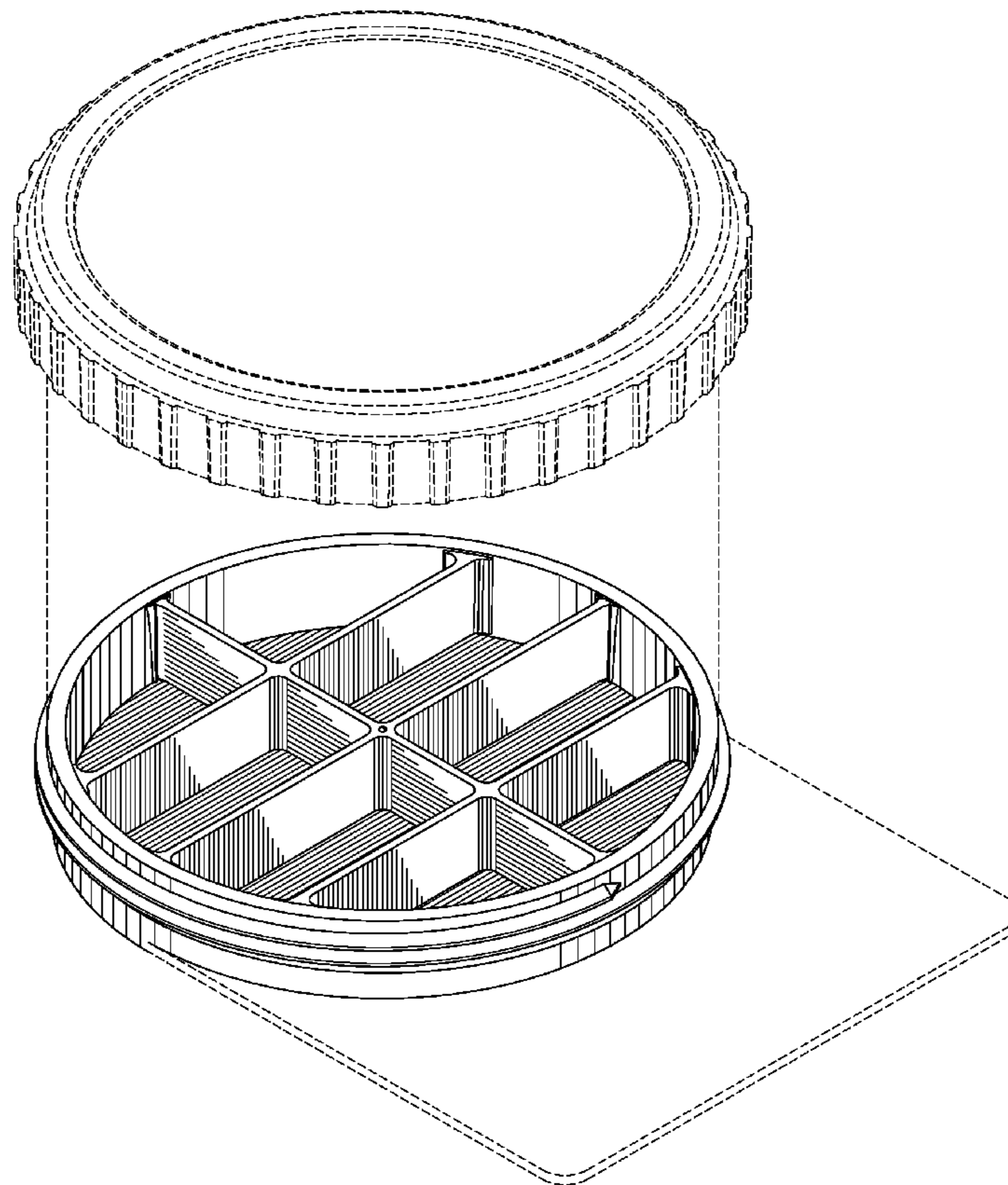
FIG. 5 is a front view thereof;

FIG. 6 is a rear view thereof; and,

FIG. 7 is a bottom view thereof.

The broken lines in the drawing views are included for the purpose of illustrating the unclaimed portions of the sampling dish and form no part of the claimed design.

**1 Claim, 4 Drawing Sheets**



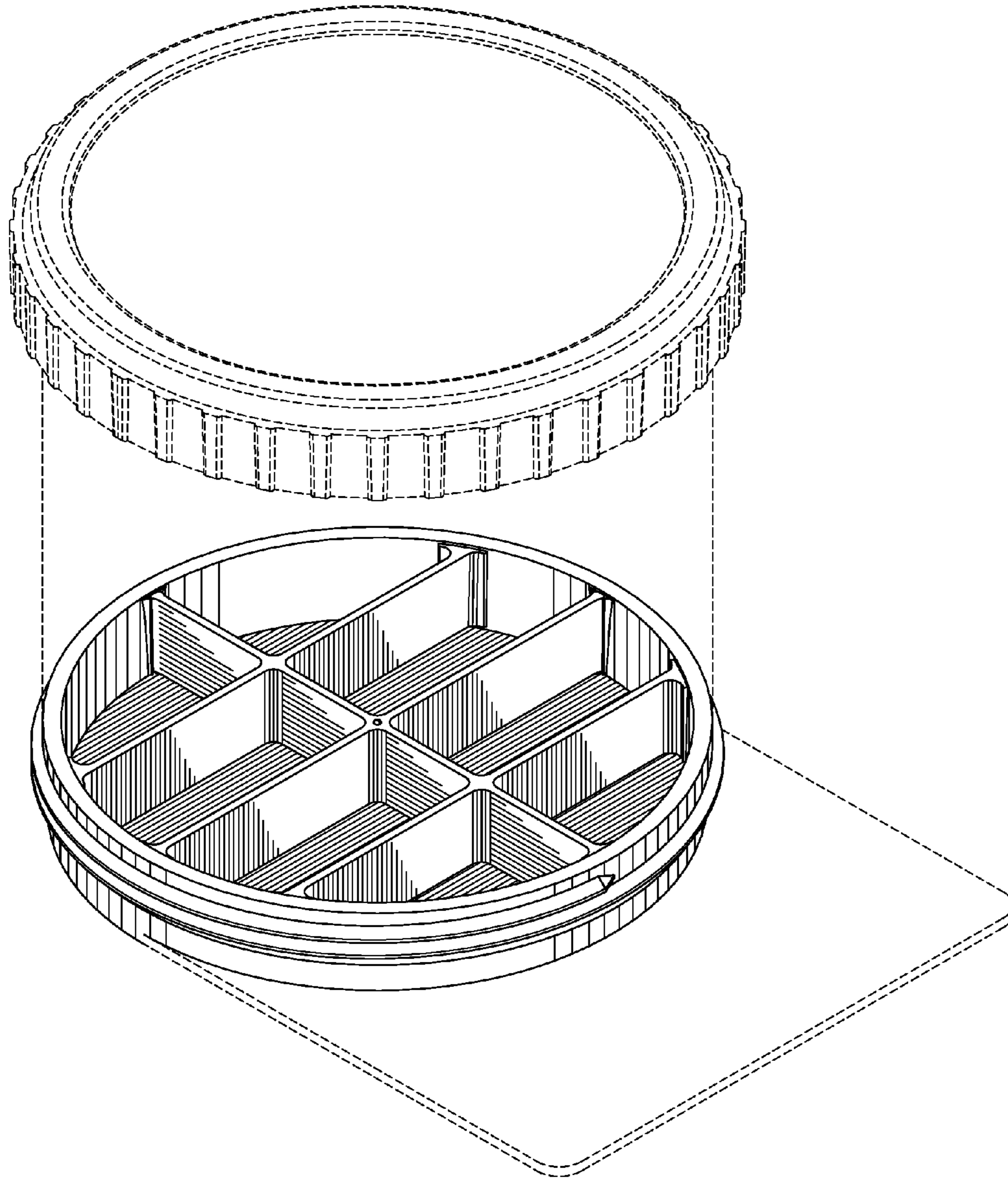
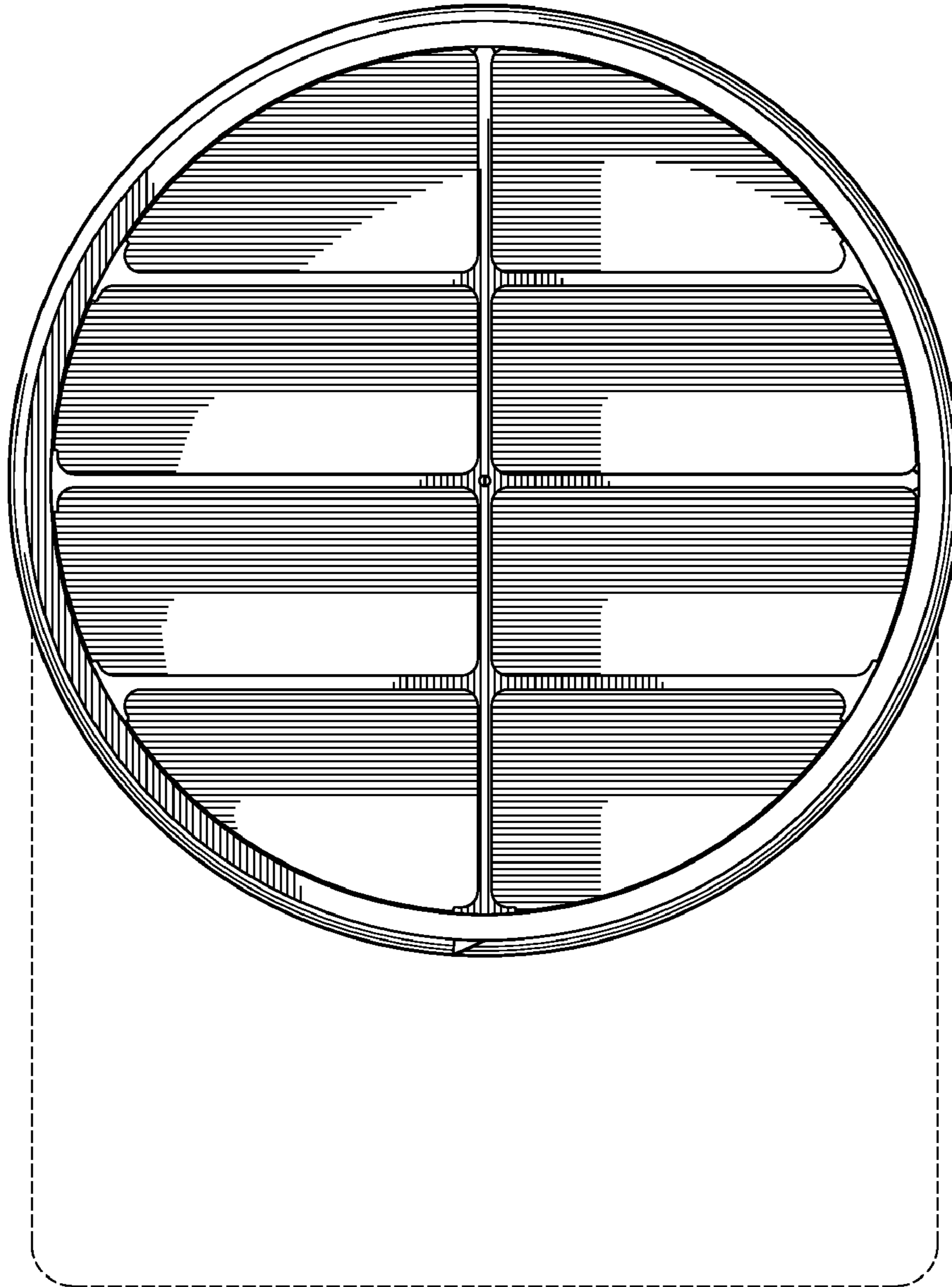


FIG. 1



*FIG. 2*

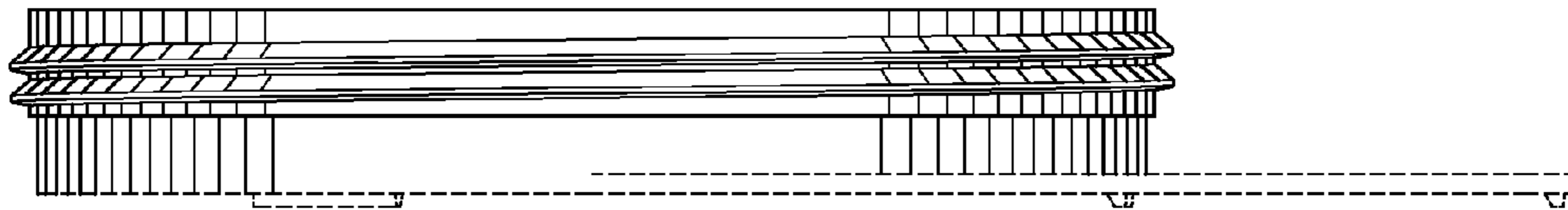


FIG. 3

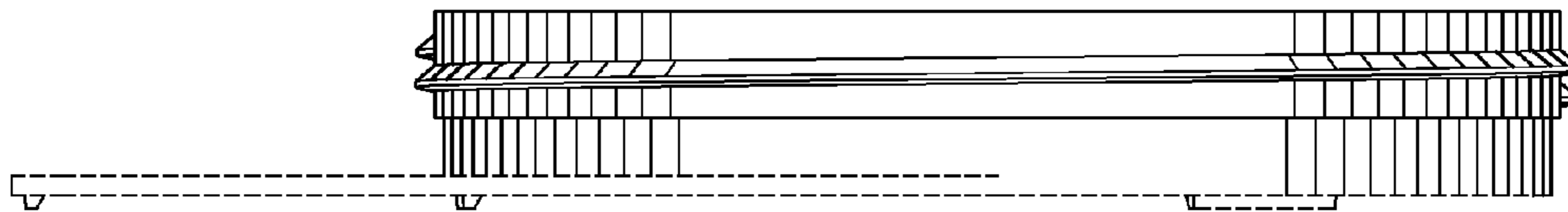


FIG. 4

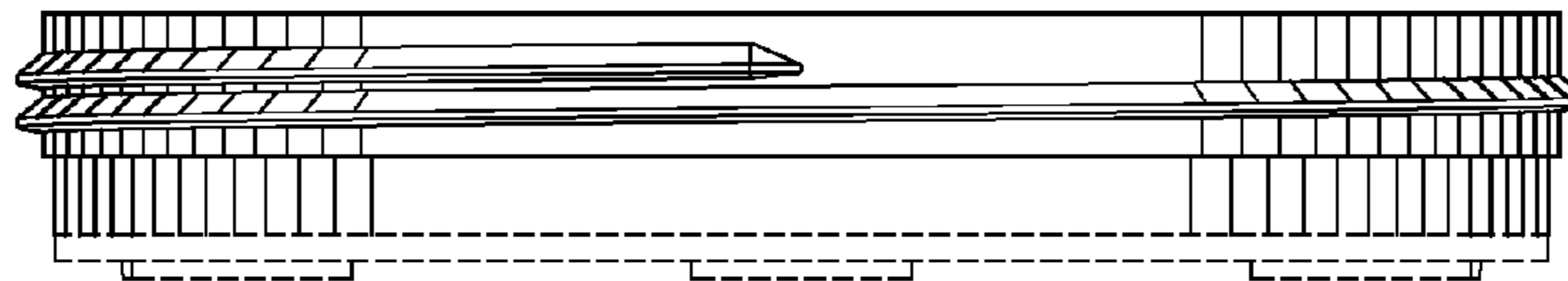


FIG. 5

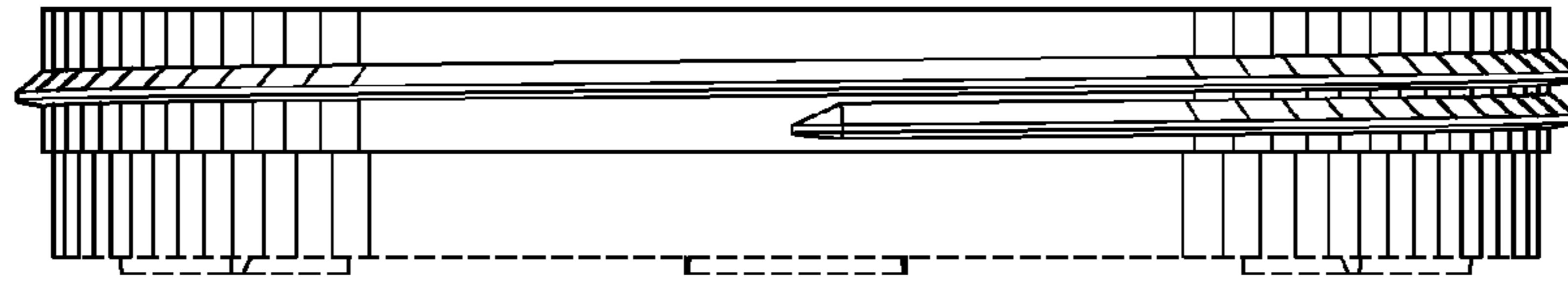


FIG. 6

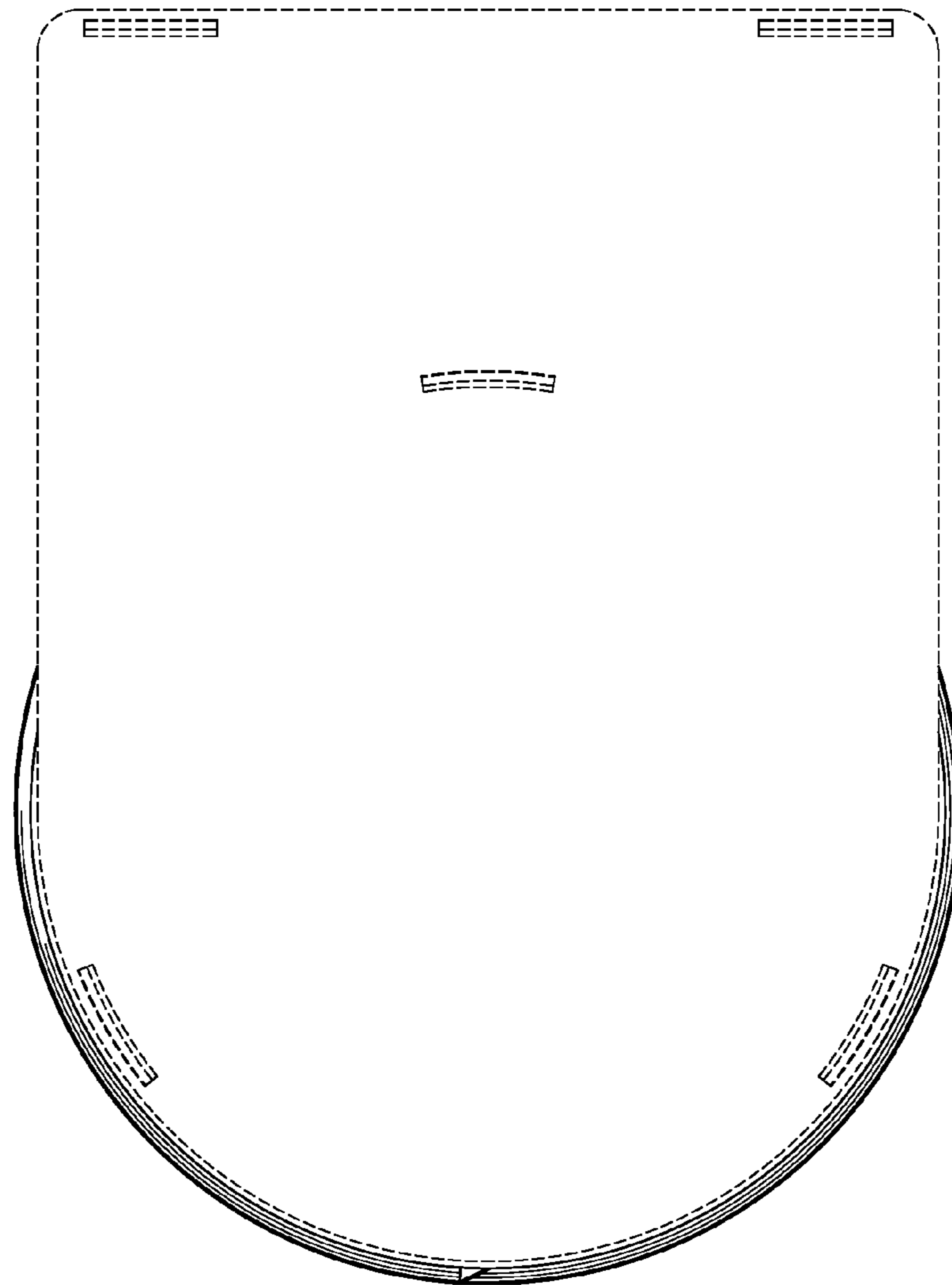


FIG. 7