



US00D613873S

(12) **United States Design Patent**
Jia

(10) **Patent No.:** **US D613,873 S**
(45) **Date of Patent:** **** Apr. 13, 2010**

(54) **UNIVERSAL COLUMN**

(75) Inventor: **Xiyu Jia**, Newport Beach, CA (US)

(73) Assignee: **Zymo Research Corporation**, Orange, CA (US)

(**) Term: **14 Years**

(21) Appl. No.: **29/333,006**

(22) Filed: **Mar. 2, 2009**

(51) **LOC (9) Cl.** **24-01**

(52) **U.S. Cl.** **D24/224**

(58) **Field of Classification Search** D24/216,
D24/222–226, 231, 232, 169; D10/80, 81;
422/99, 102, 69, 70, 72, 101; 435/288.1,
435/288.3, 289.1; 536/25.74; 210/203, 204,
210/656

See application file for complete search history.

(56) **References Cited**

U.S. PATENT DOCUMENTS

D254,445 S *	3/1980	Boghosian	D24/224
D312,128 S *	11/1990	Headley	D24/219
D431,299 S *	9/2000	Lammie	D24/224
D488,867 S *	4/2004	Chau	D24/129
D500,856 S *	1/2005	Hellstrom	D24/224
D511,214 S *	11/2005	Sasano et al.	D24/224
D519,868 S *	5/2006	Sasano et al.	D10/103
D559,397 S *	1/2008	Eriksson et al.	D24/224

OTHER PUBLICATIONS

U.S. Appl. No. 61/156,589, Xiyu Jia.
QIAamp® DNA Mini and Blood Mini Handbook, QIAGEN®, p. 13
(photos attached), Nov. 2007.
Zymo Research 2006/2007 Catalog, Zymo Research Corporation, p.
14 (photos attached), 2006.
Zymo Research 2006/2007 Catalog, Zymo Research Corporation, p.
15 (photos attached), 2006.

* cited by examiner

Primary Examiner—T. Chase Nelson

Assistant Examiner—Anhdao Doan

(74) *Attorney, Agent, or Firm*—Sonnenschein Nath &
Rosenthal LLP

(57) **CLAIM**

The ornamental design for a universal column, as shown and
described.

DESCRIPTION

FIG. 1 is a top perspective view of a universal column show-
ing my new design;

FIG. 2 is a bottom perspective view of a first embodiment of
the universal column shown in FIG. 1;

FIG. 3 is a bottom perspective view of a second embodiment
of the universal column shown in FIG. 1;

FIG. 4 is a right side elevational view of the universal column
shown in FIG. 1, the left side elevational view is identical to
the right side elevational view;

FIG. 5 is front elevational view of the universal column shown
in FIG. 1, the rear elevational view is identical to the front
elevational view;

FIG. 6 is a top plan view of the universal column shown in
FIG. 1;

FIG. 7 is a bottom plan view of the first embodiment of the
universal column shown in FIG. 1;

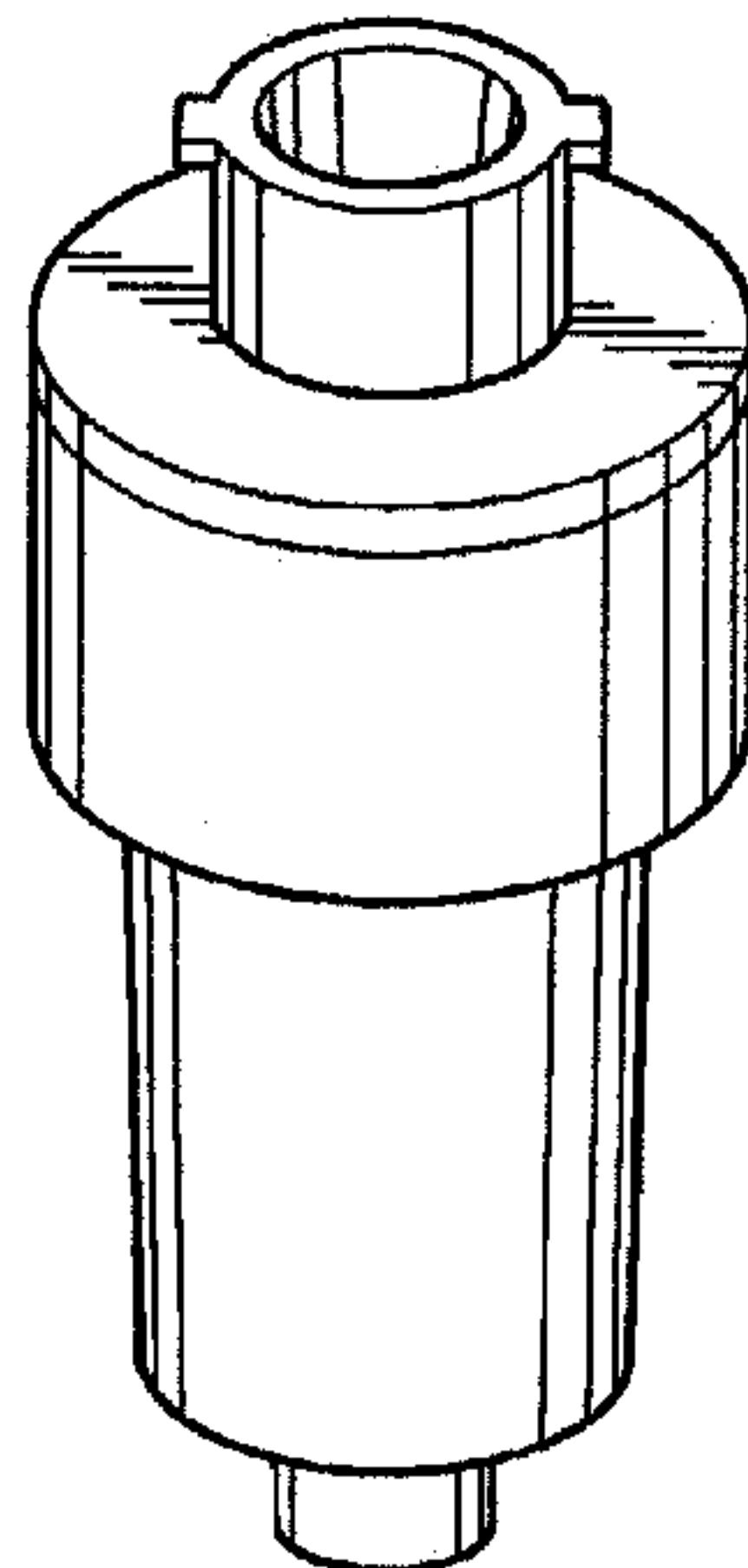
FIG. 8 is a bottom plan view of the second embodiment of the
universal column shown in FIG. 1;

FIG. 9 is a cross sectional view of the first embodiment of the
universal column shown in FIG. 1, taken at the longitudinal
center of FIG. 2; and,

FIG. 10 is a cross sectional view of the second embodiment of
the universal column shown in FIG. 1, taken at the longitudi-
nal center of FIG. 3.

FIGS. 1, 4, 5, and 6 are common to both the first and second
embodiments as these views would not change between
embodiments.

1 Claim, 2 Drawing Sheets



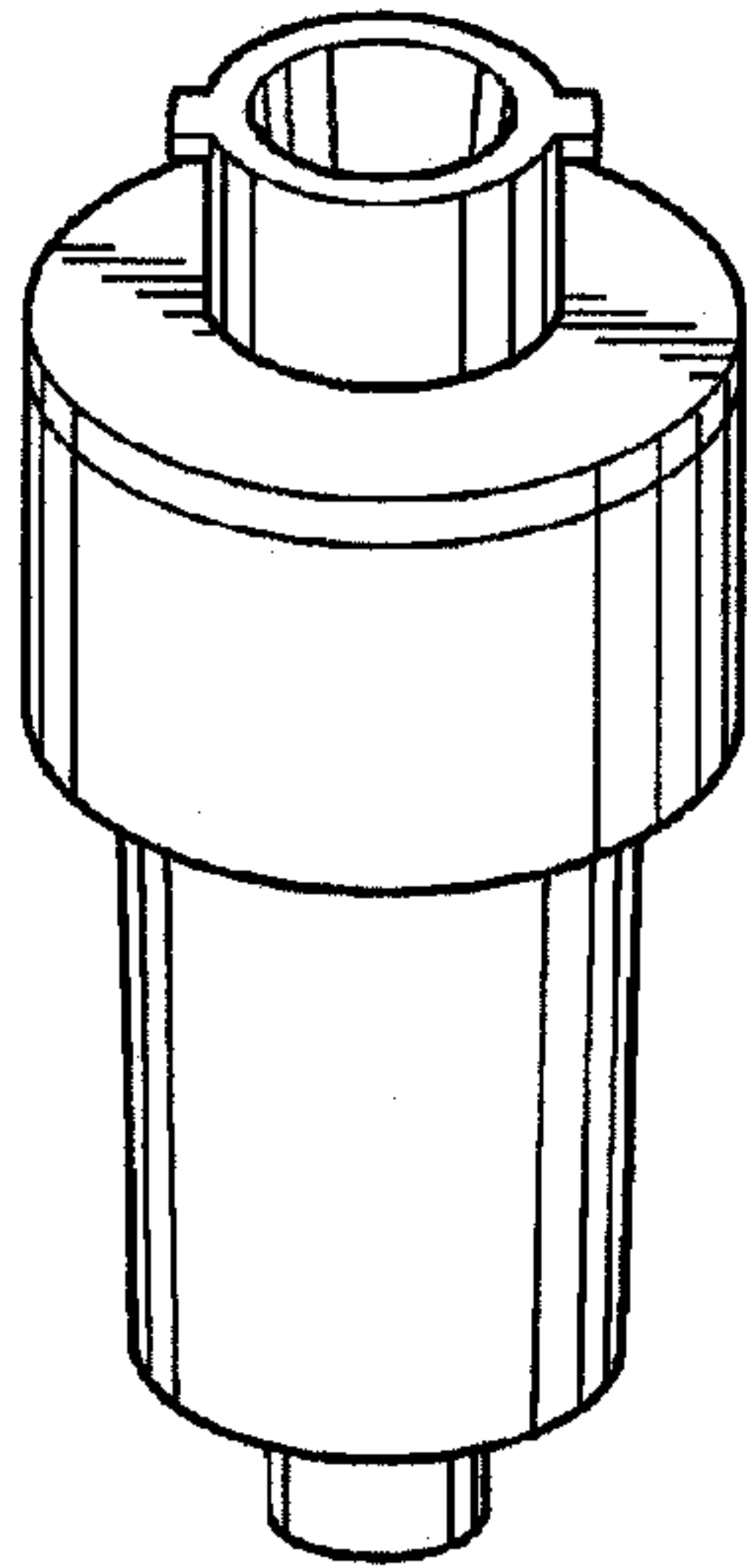


FIG. 1

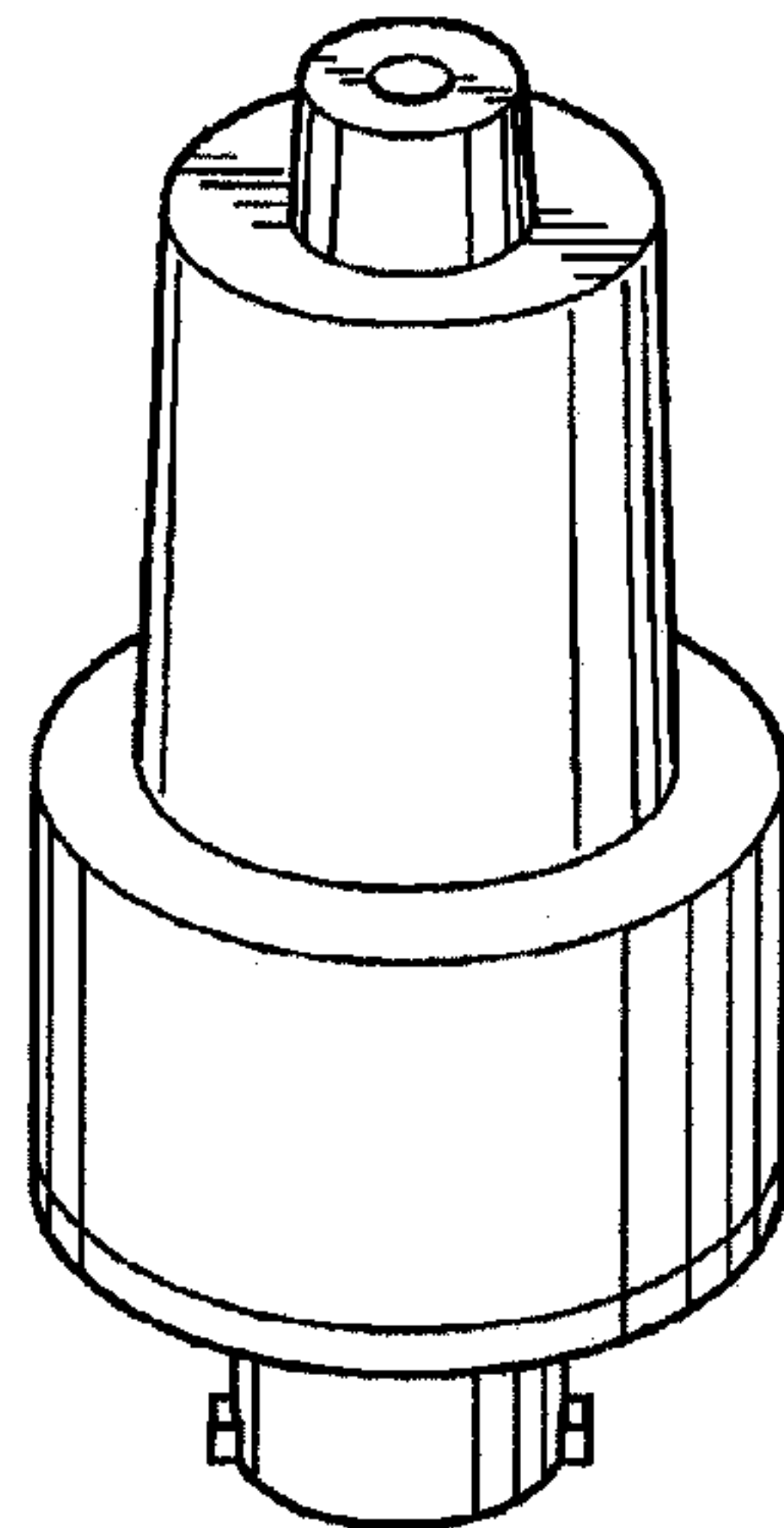


FIG. 2

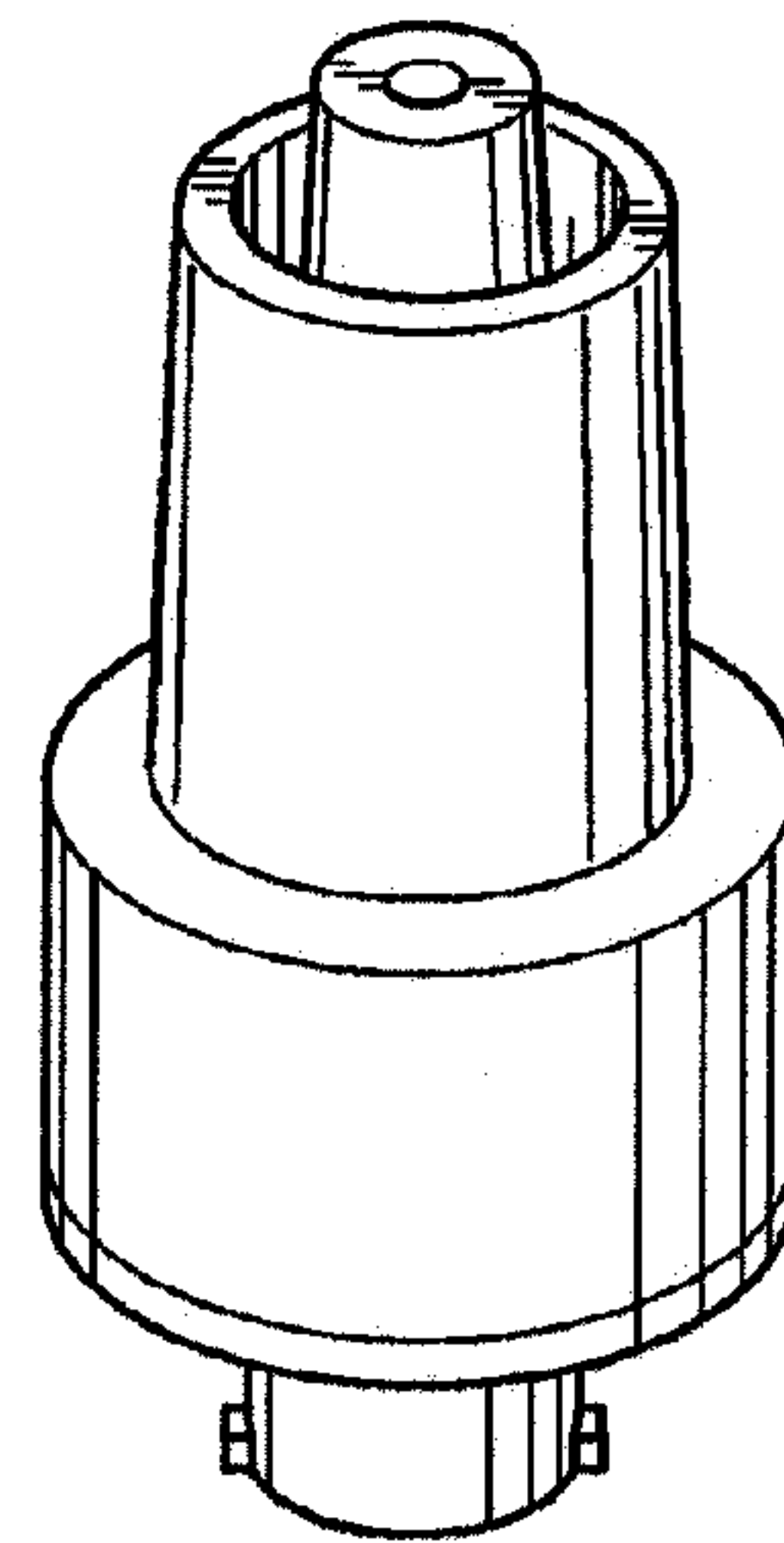


FIG. 3

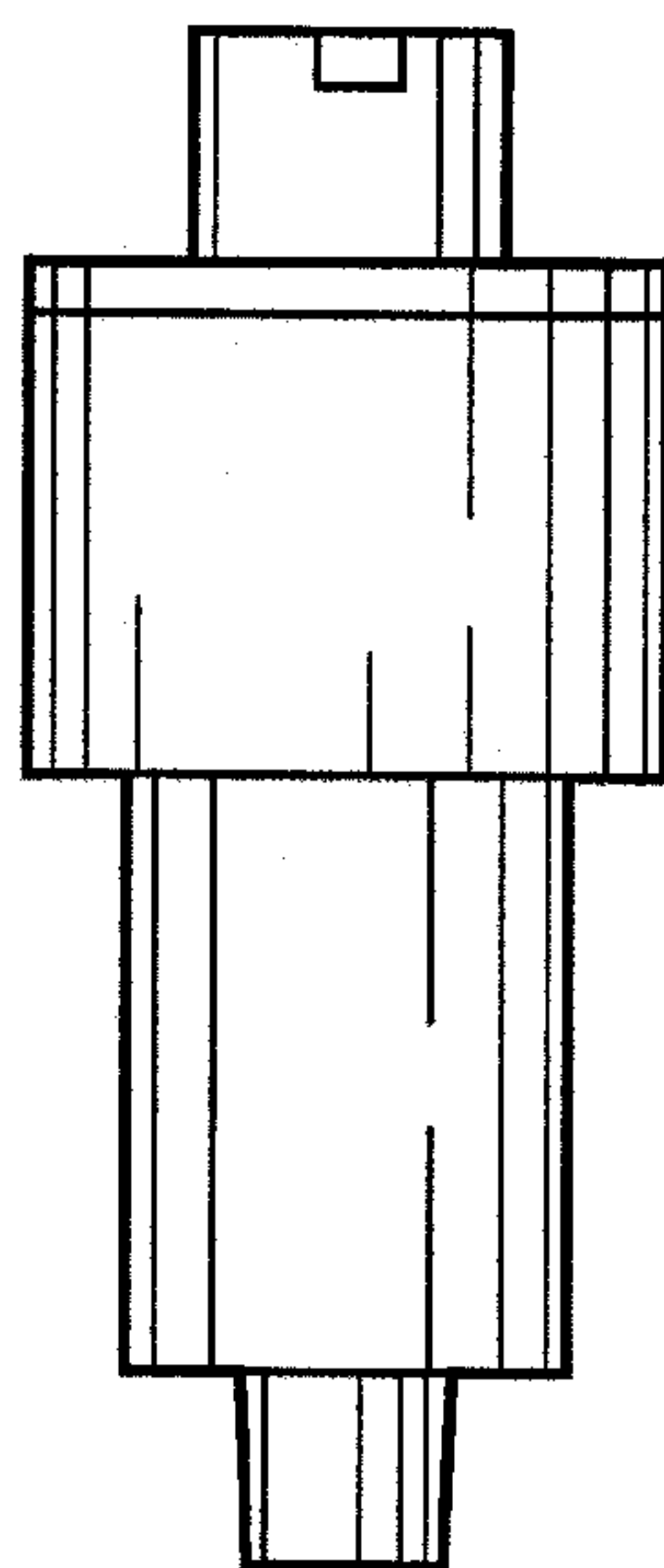


FIG. 4

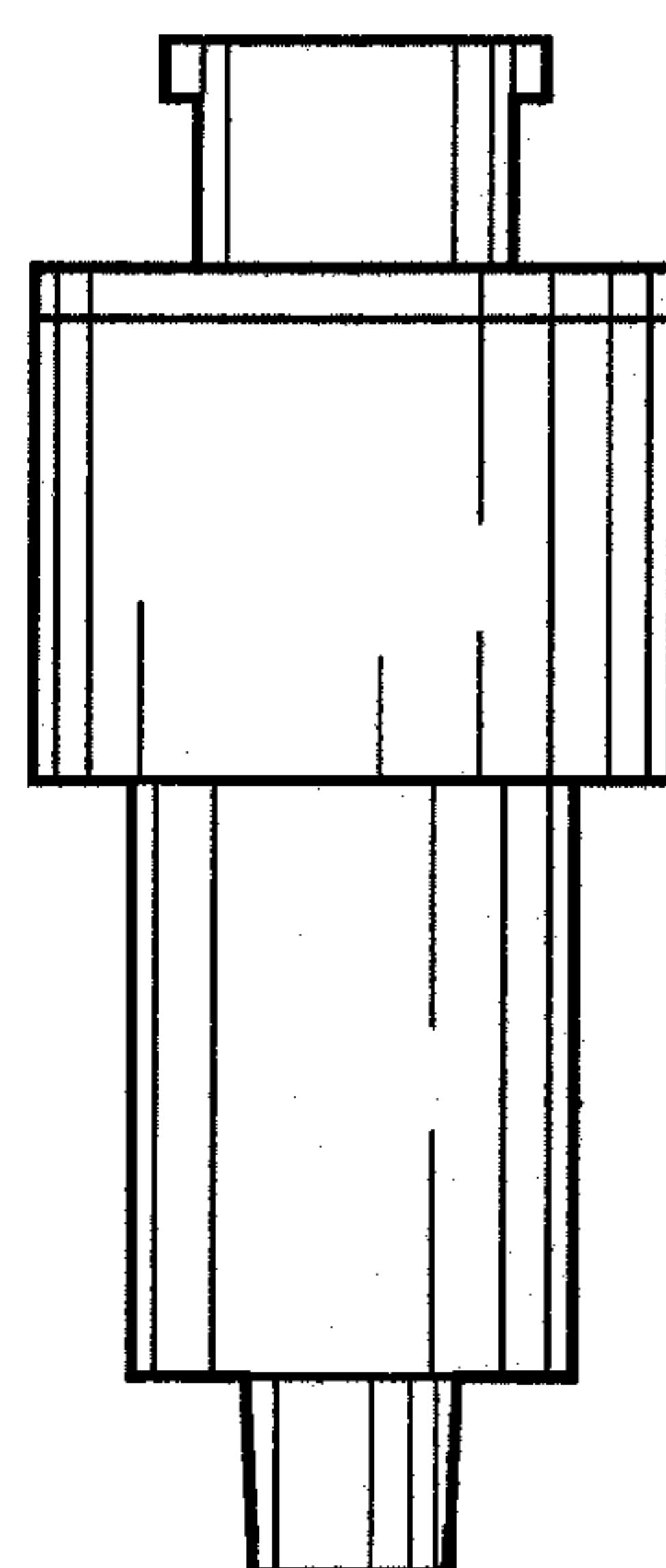


FIG. 5

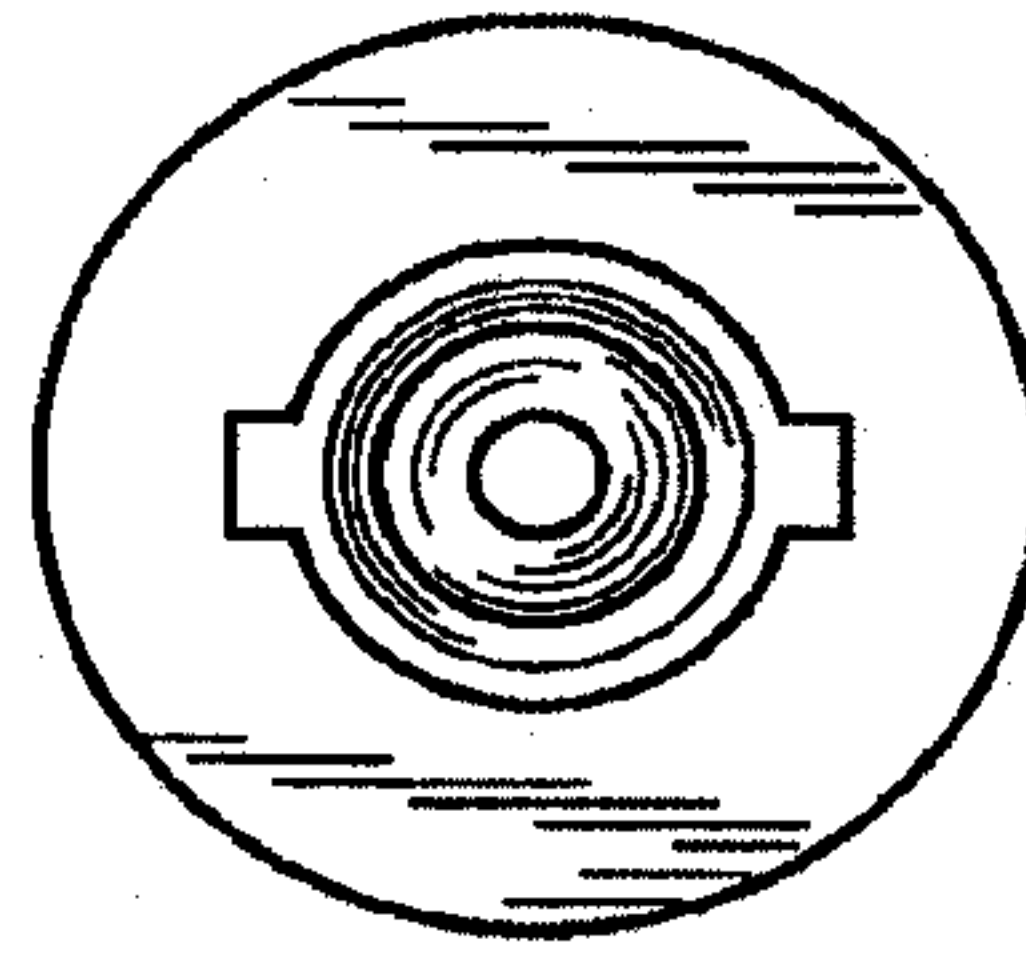


FIG. 6

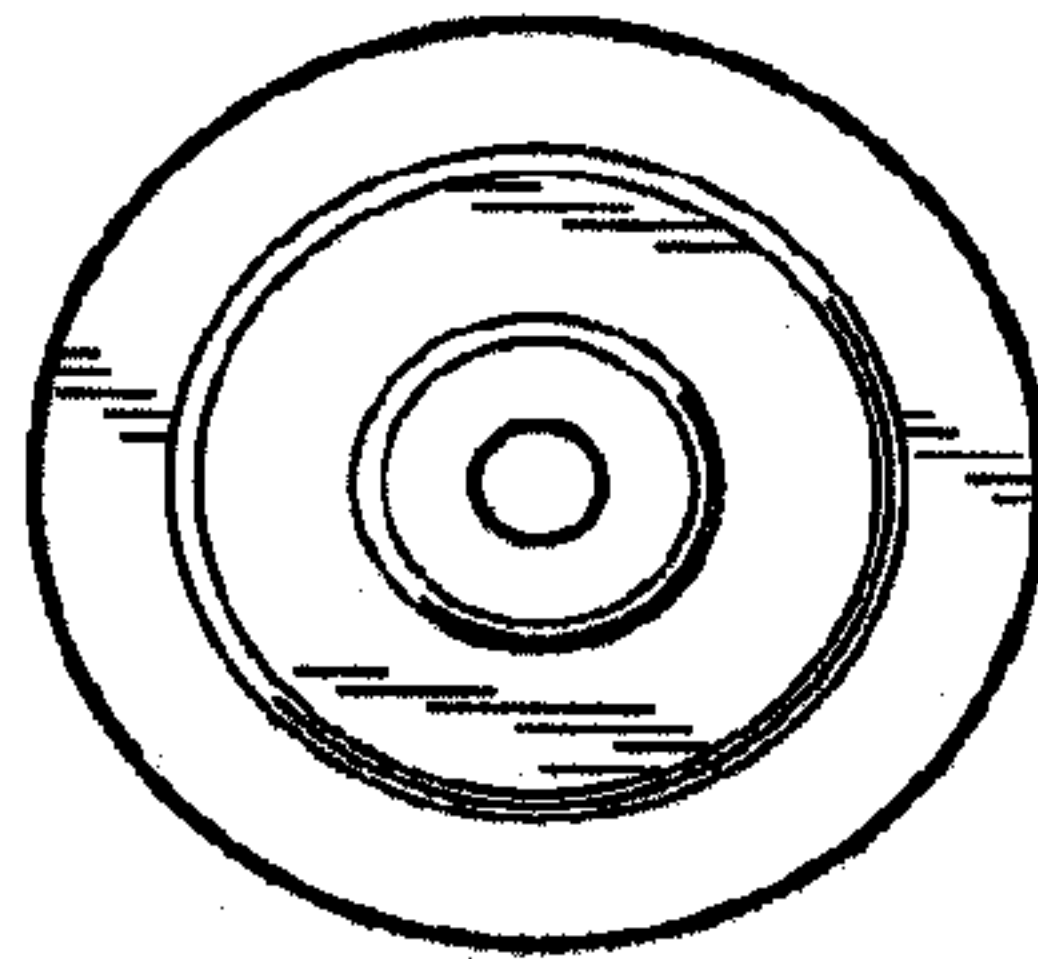


FIG. 7

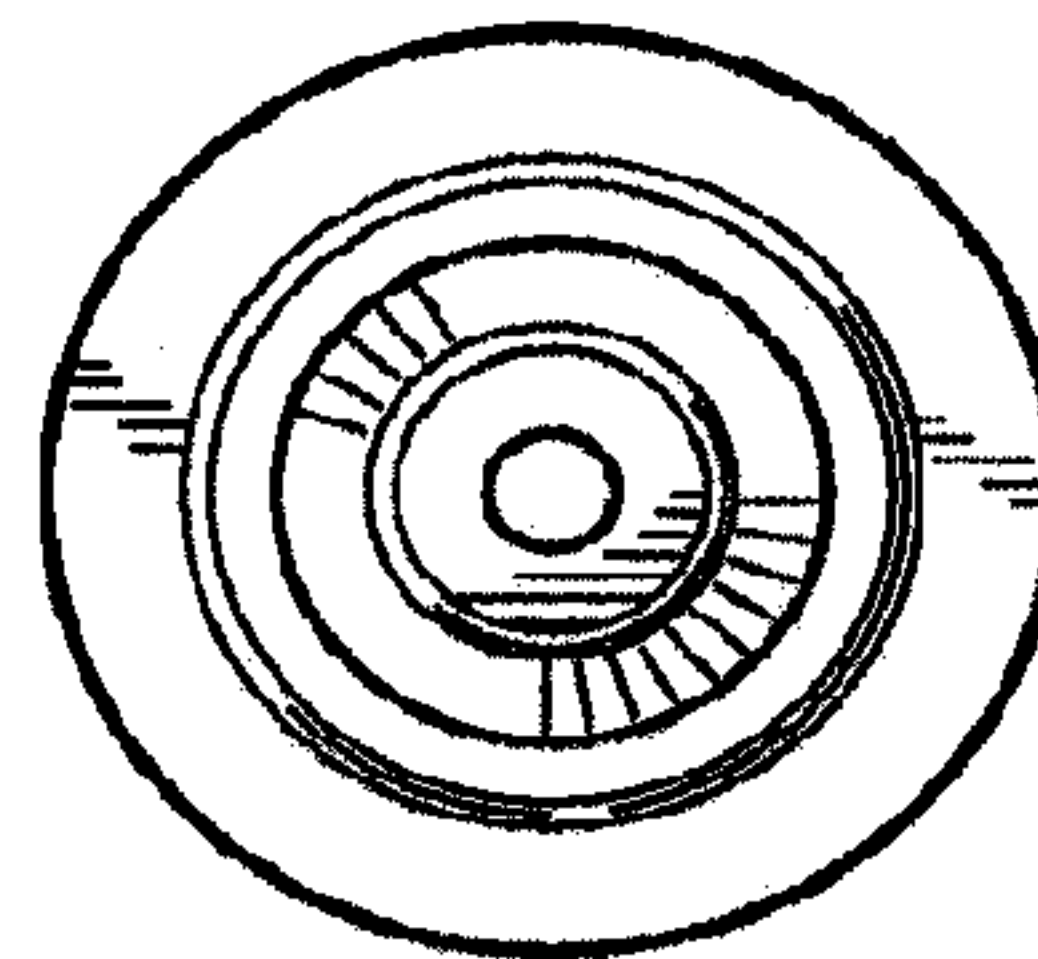


FIG. 8

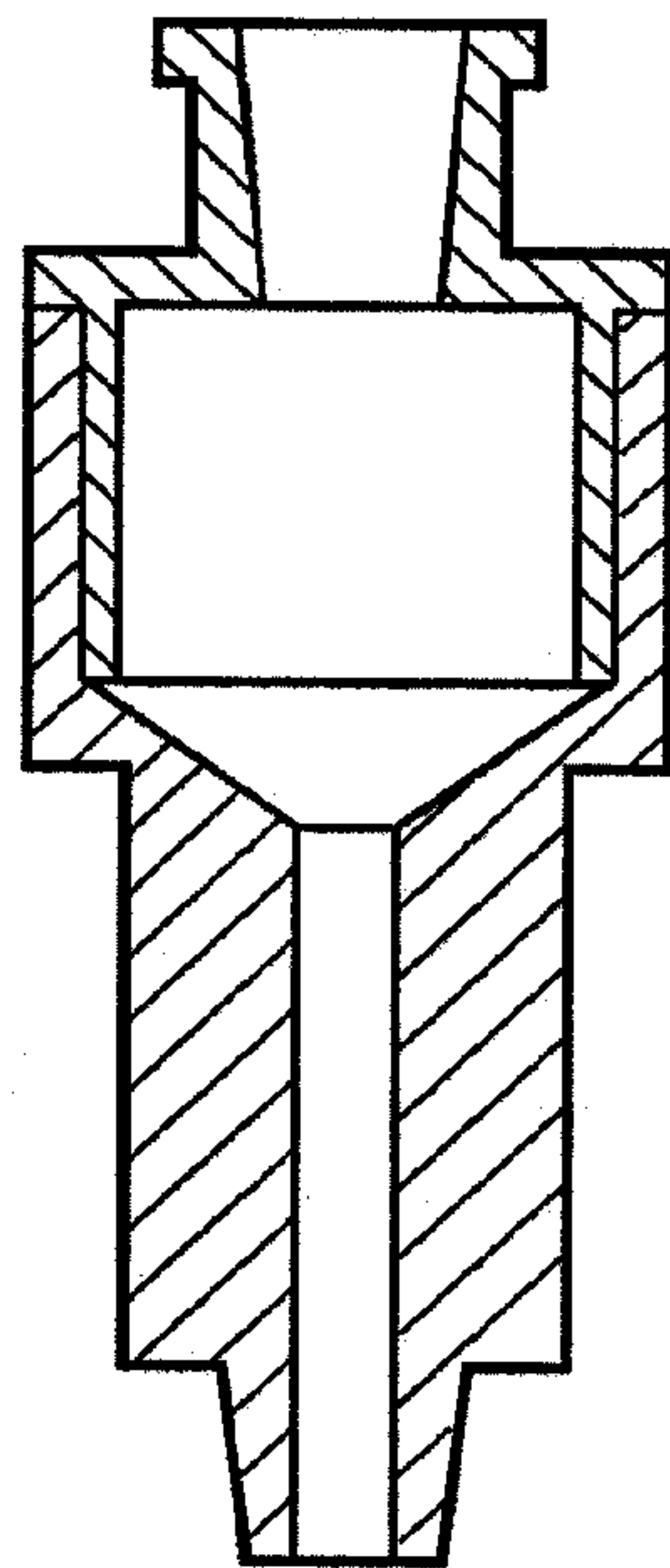


FIG. 9

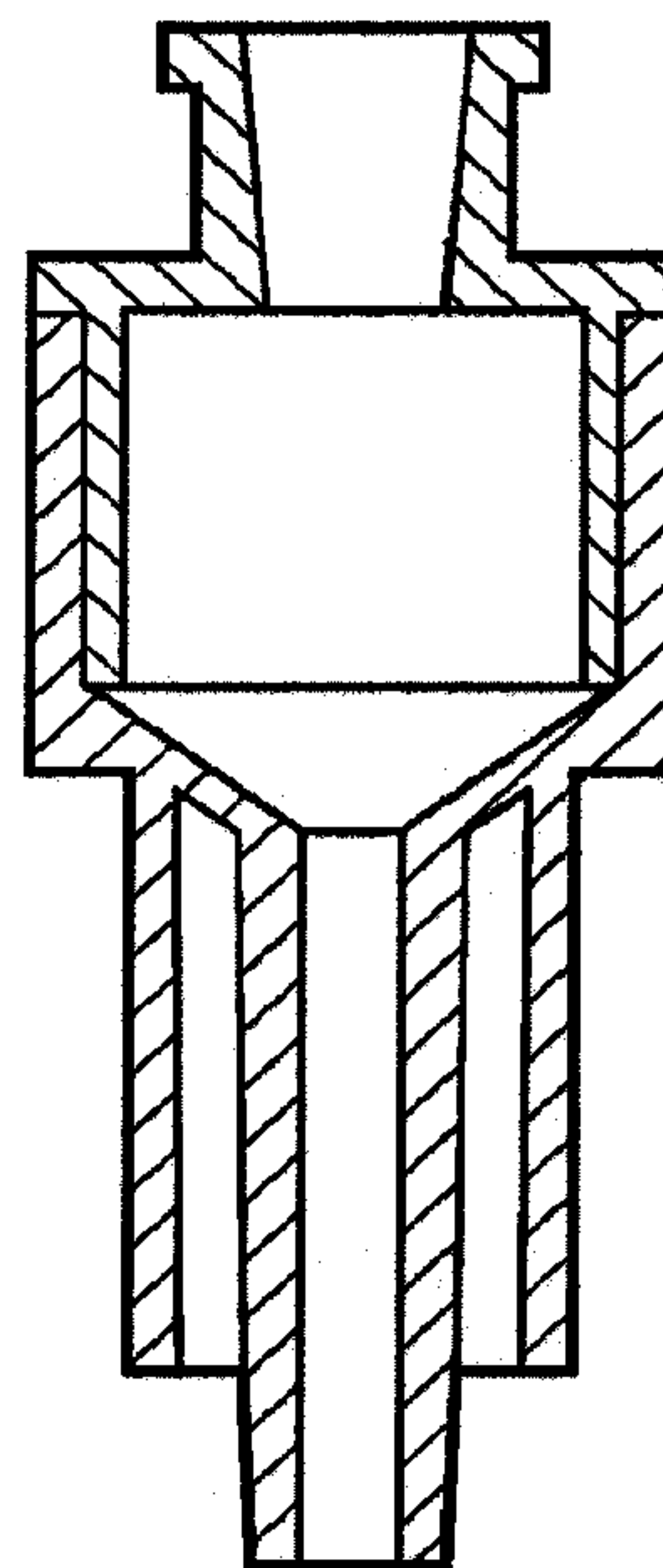


FIG. 10