



US00D613867S

(12) **United States Design Patent**  
**Tanaka et al.**

(10) **Patent No.:** **US D613,867 S**  
(45) **Date of Patent:** **\*\* Apr. 13, 2010**

(54) **TABLE STRUCTURE OF A MEDICAL CART**

(75) Inventors: **Kazuna Tanaka**, Cos Cob, CT (US);  
**Jeffrey S. Kapec**, Westport, CT (US);  
**Yukiko Naoi**, New York, NY (US);  
**Daniel Licalzi**, Brooklyn, NY (US);  
**Christiano Butler**, Bardonia, NY (US);  
**Steven Wicksman**, Putnam Valley, NY (US)

(73) Assignee: **Electro-Optical Sciences, Inc.**,  
Irvington, NY (US)

(\*\*) Term: **14 Years**

(21) Appl. No.: **29/341,114**

(22) Filed: **Jul. 30, 2009**

(51) **LOC (9) Cl.** ..... **24-02**

(52) **U.S. Cl.** ..... **D24/185**

(58) **Field of Classification Search** ..... D24/164,  
D24/169, 172, 176, 185-186, 234; D34/12-27;  
D6/436, 460; 280/47.18, 47.26, 47.34, 47.35,  
280/33.991, 33.992, 33.993; 108/7; D14/302  
See application file for complete search history.

(56) **References Cited**

**U.S. PATENT DOCUMENTS**

6,081,612	A	6/2000	Gutkowicz-Krusin et al.	
D434,502	S *	11/2000	Gallant	D24/185
6,208,749	B1	3/2001	Gutkowicz-Krusin et al.	
6,307,957	B1	10/2001	Gutkowicz-Krusin et al.	
6,563,616	B1	5/2003	Brenner	
6,626,558	B2	9/2003	Momot et al.	
6,657,798	B1	12/2003	Kabelevs et al.	
D486,915	S *	2/2004	Warschewske et al.	D24/185
6,710,947	B1	3/2004	Momot et al.	
D512,508	S *	12/2005	Mesaros	D24/185
D517,768	S *	3/2006	Arceta	D34/14
D518,267	S *	3/2006	Arceta	D34/12
7,102,672	B1	9/2006	Jacobs	
7,127,094	B1	10/2006	Elbaum et al.	
D531,728	S *	11/2006	Helgeson	D24/164
D548,918	S *	8/2007	Nussberger	D34/17

D585,991	S *	2/2009	Helgeson et al.	D24/176
7,490,837	B2 *	2/2009	Pond et al.	280/47.35
D588,272	S *	3/2009	Meiser	D24/185

(Continued)

**OTHER PUBLICATIONS**

Slides depicting a mock user interface of a prototype medical cart, American Academy of Dermatology conference (Feb. 2009).

(Continued)

*Primary Examiner*—T. Chase Nelson

*Assistant Examiner*—Mark Cavanna

(74) *Attorney, Agent, or Firm*—Fish & Richardson P.C.

(57) **CLAIM**

The ornamental design for a table structure of a medical cart, as shown and described.

**DESCRIPTION**

FIG. 1 is a perspective view of table structure of a medical cart showing our new design;

FIG. 2 is a front view thereof;

FIG. 3 is a rear view thereof;

FIG. 4 is a right side thereof;

FIG. 5 is a left side view thereof;

FIG. 6 is a top plan view thereof;

FIG. 7 is a bottom plan view thereof;

FIG. 8 is an enlarged partial perspective view thereof;

FIG. 9 is an enlarged partial front view thereof;

FIG. 10 is an enlarged partial rear view thereof;

FIG. 11 is an enlarged partial right side view thereof;

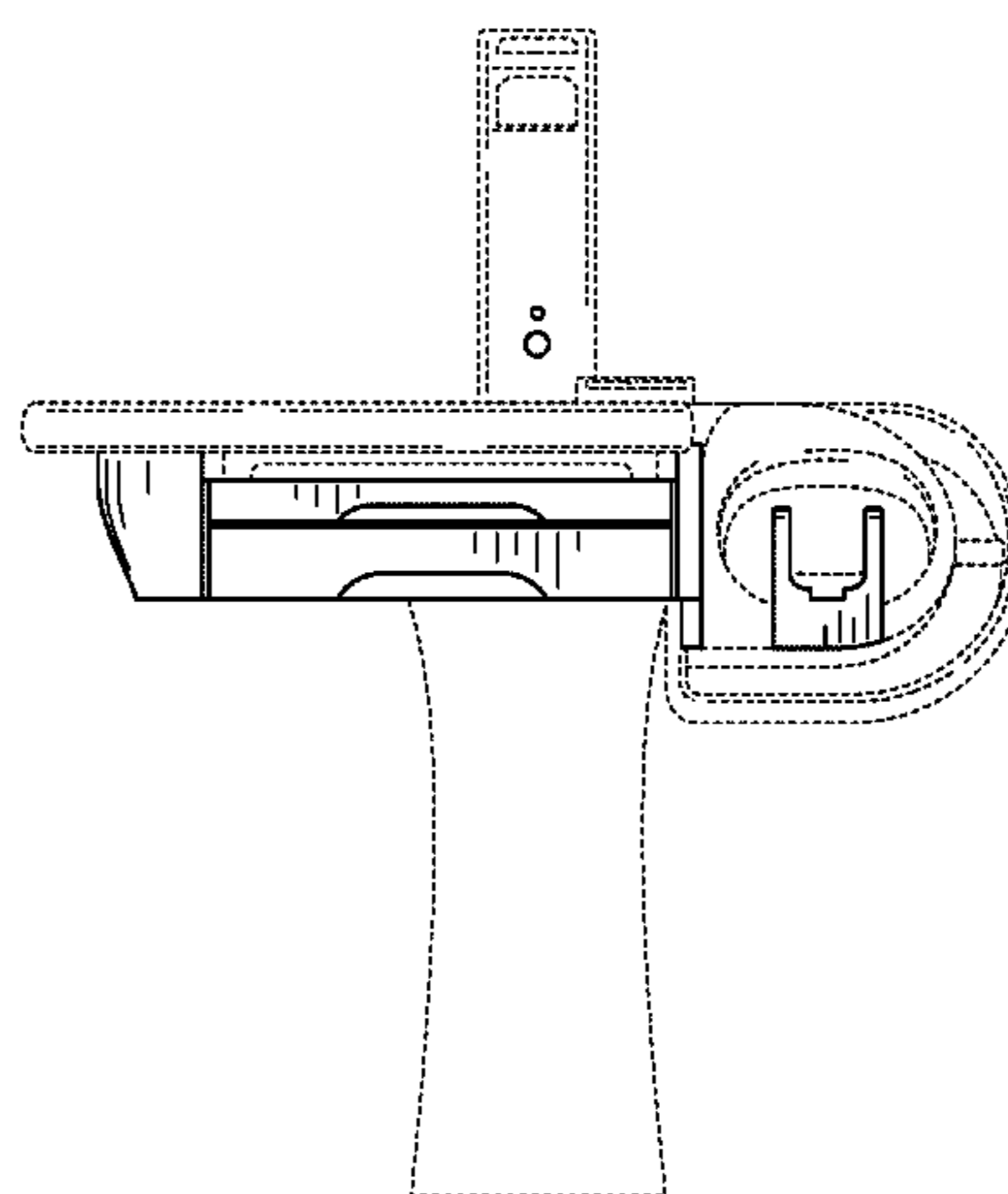
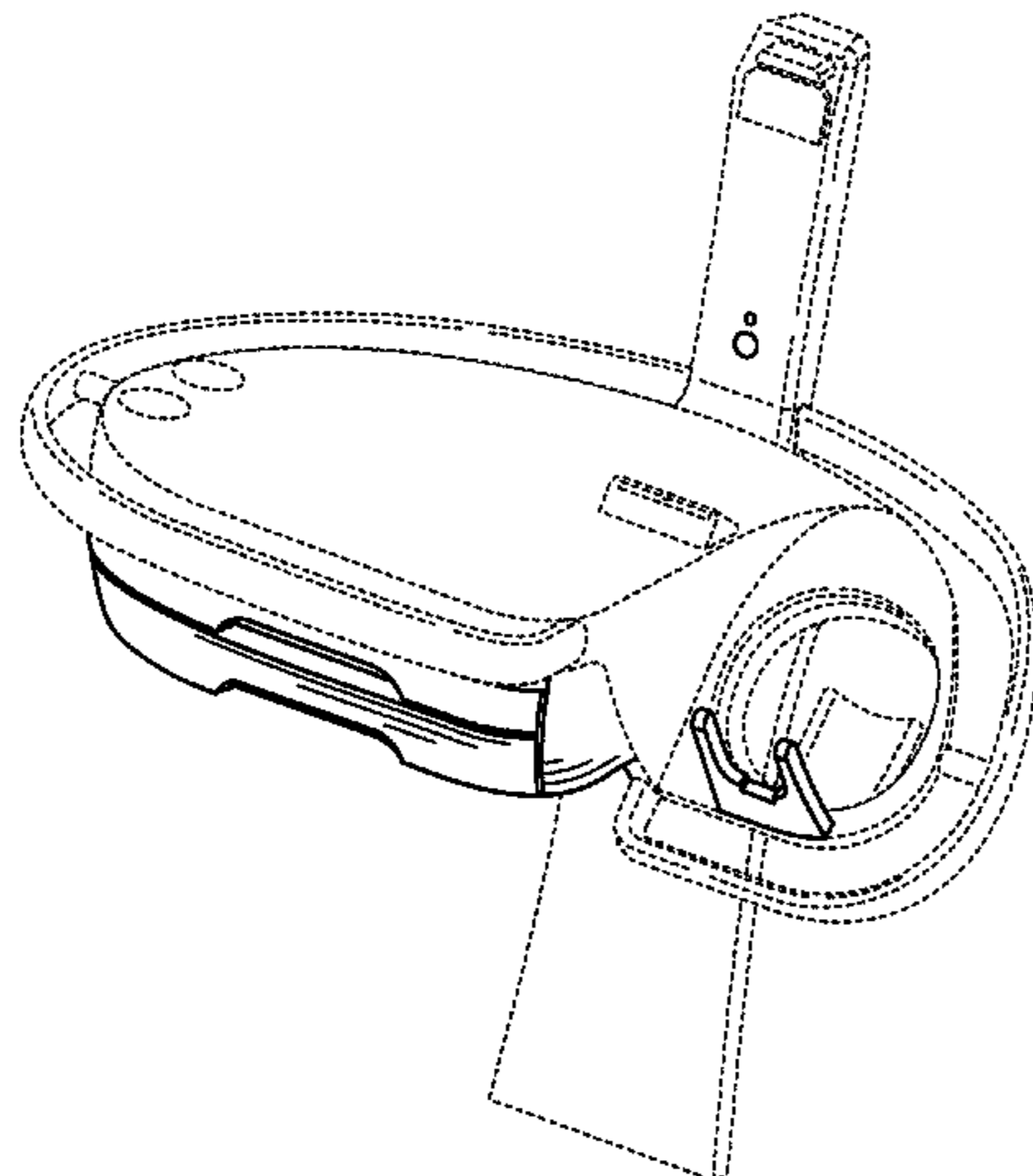
FIG. 12 is an enlarged partial left side view thereof;

FIG. 13 is an enlarged partial top plan view of thereof; and,

FIG. 14 is an enlarged partial bottom plan view thereof.

The broken lines are included for the purpose of illustrating portions of the table structure of a medical cart that form no part of the claimed design.

**1 Claim, 11 Drawing Sheets**



U.S. PATENT DOCUMENTS

D596,420 S \* 7/2009 Yoshida ..... D6/396  
7,594,668 B2 \* 9/2009 Arceta et al. .... 280/47.35  
2008/0031537 A1 2/2008 Gutkowicz-Krusin et al.  
2008/0214907 A1 9/2008 Gutkowicz-Krusin et al.  
2008/0312952 A1 12/2008 Gulfo et al.  
2009/0060304 A1 3/2009 Gulfo et al.  
2009/0154781 A1 6/2009 Bogdan

OTHER PUBLICATIONS

Script used during demonstration of a mock user interface of a prototype medical cart, American Academy of Dermatology conference (Feb. 2009).

Photographs of a medical cart used in clinical trials (Dec. 2006-Jul. 2008).

PAIR Transaction History and U.S. Appl. No. 29,341,111, filed Jul. 30, 2009.

PAIR Transaction History and U.S. Appl. No. 12/512,775, filed Jul. 30, 2009.

PAIR Transaction History and U.S. Appl. No. 12/512,895, filed Jul. 30, 2009.

Electro-Optical Sciences, Inc., Needham & Co. 7<sup>th</sup> Annual Bio/MedTech Conference, Presentation re Melafind (Jun. 11, 2008, 35 pages).

Electro-Optical Sciences, Inc. 2008 Annual Report (Apr. 15, 2009, 88 pages).

Electro-Optical Sciences, Inc. 2007 Annual Report (Apr. 15, 2008, 96 pages).

Van Dusen, A., "Invasive biopsies may soon be a thing of the past if these detection methods prove effective," *Forbes* (Aug. 22, 2008, 3 pages).

Thumbnail image titled "eos-moneyshot.jpg" downloaded from <http://images.google.com> on Jul. 27, 2009, and source code indicating that the thumbnail image was originally available on <http://www.daniellicalzi.com> on Jun. 2009, 2 pages.

Howard Teacher's Pet—Revolutionary Classroom Management, <http://www.howardcomputers.com/petcart/>, downloaded from internet on Jul. 30, 2009, 6 pages.

FreelanceDesigners.org, Daniel LiCalzi, Live Beta, downloaded from the internet on Jun. 26, 2009, 3 pages.

Tanaka Kapec Design Group, Inc., Strategic Product Development + Industrial Design, <http://www.tkdg.com/>, downloaded from the internet on Jun. 26, 2009, 3 pages.

\* cited by examiner

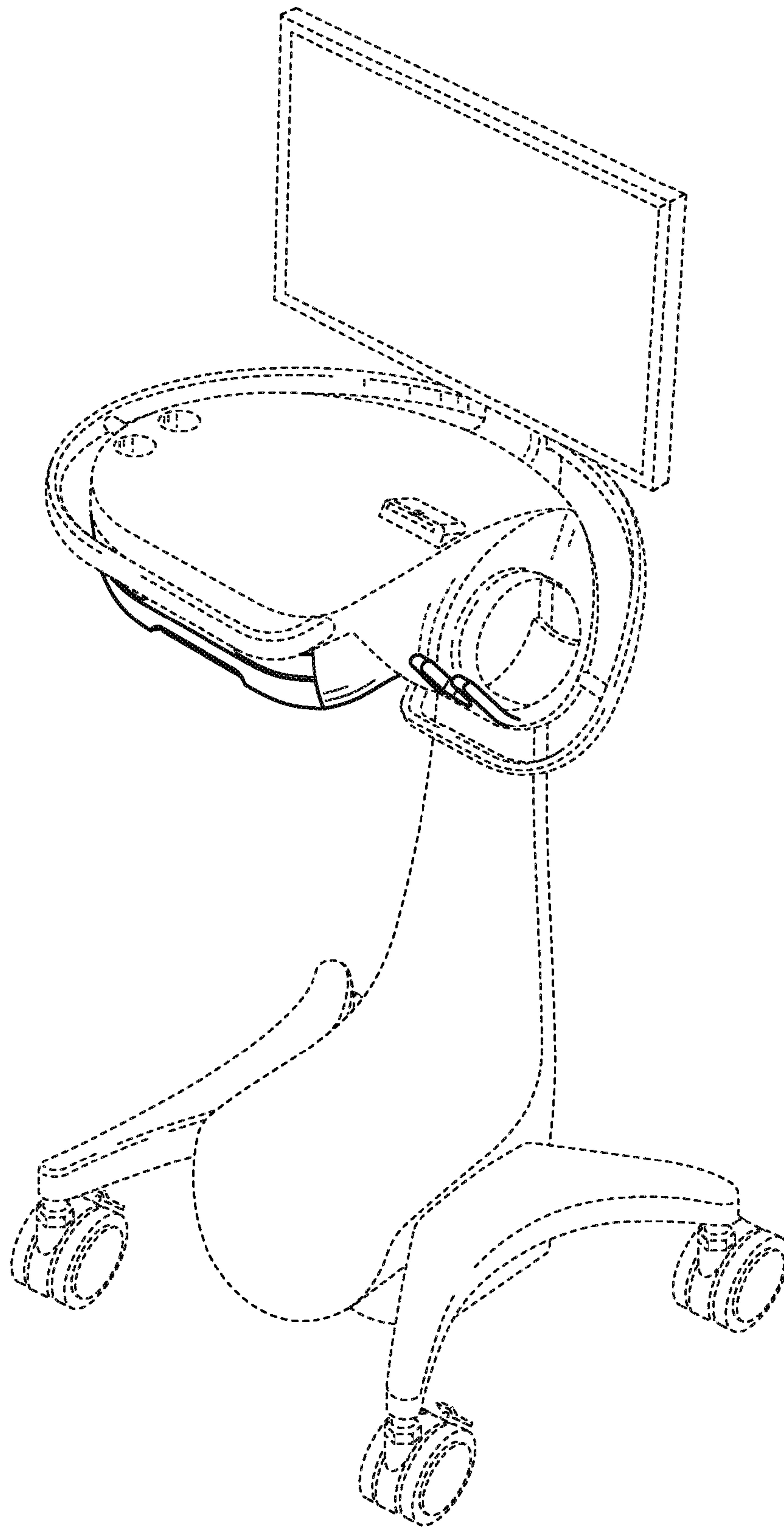


FIG. 1

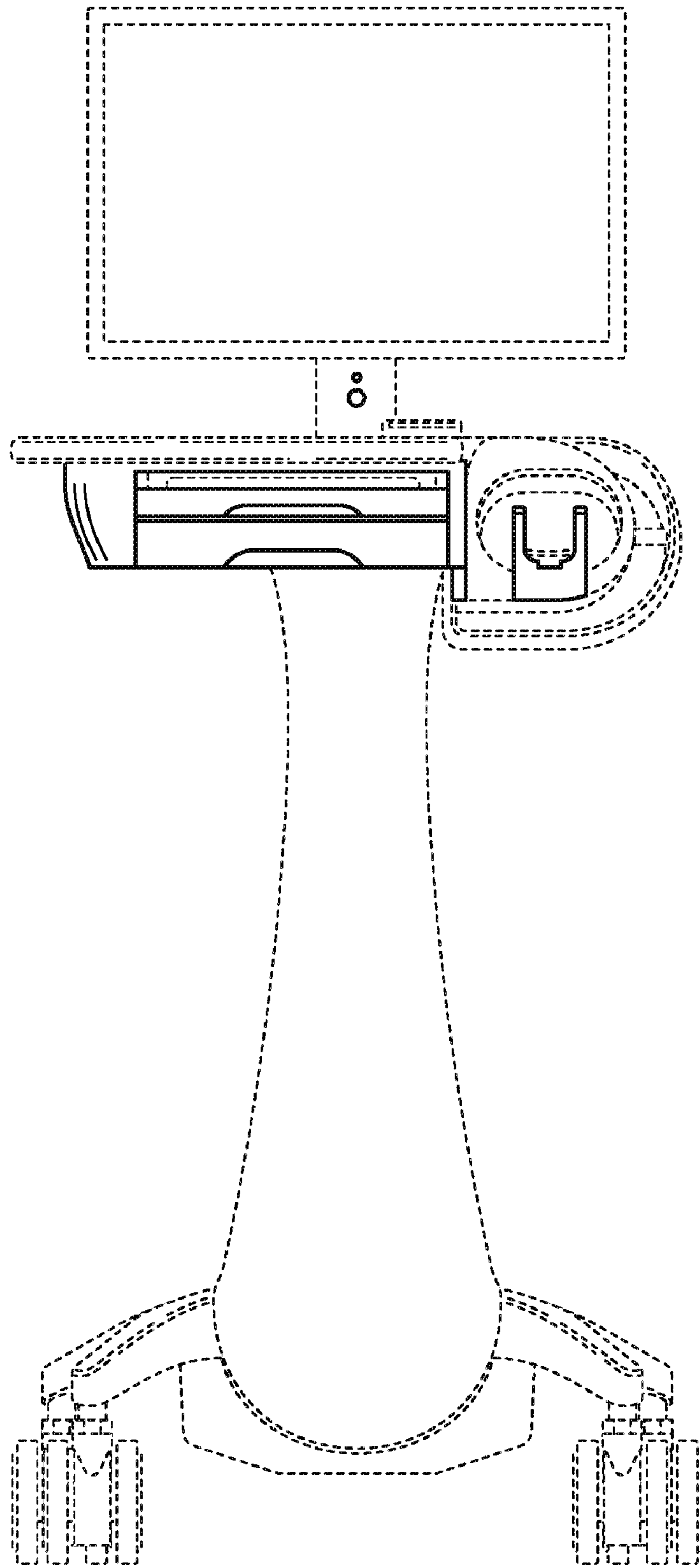


FIG. 2



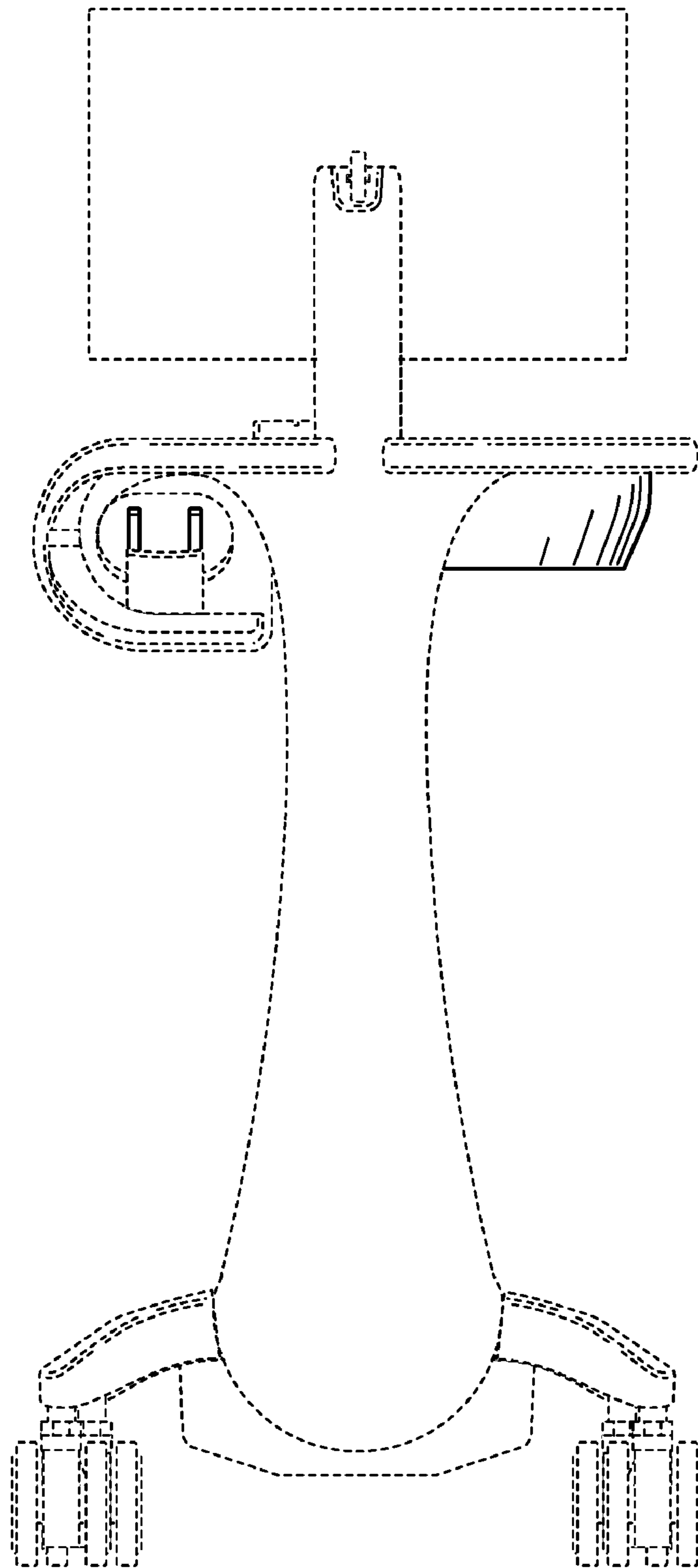


FIG. 3

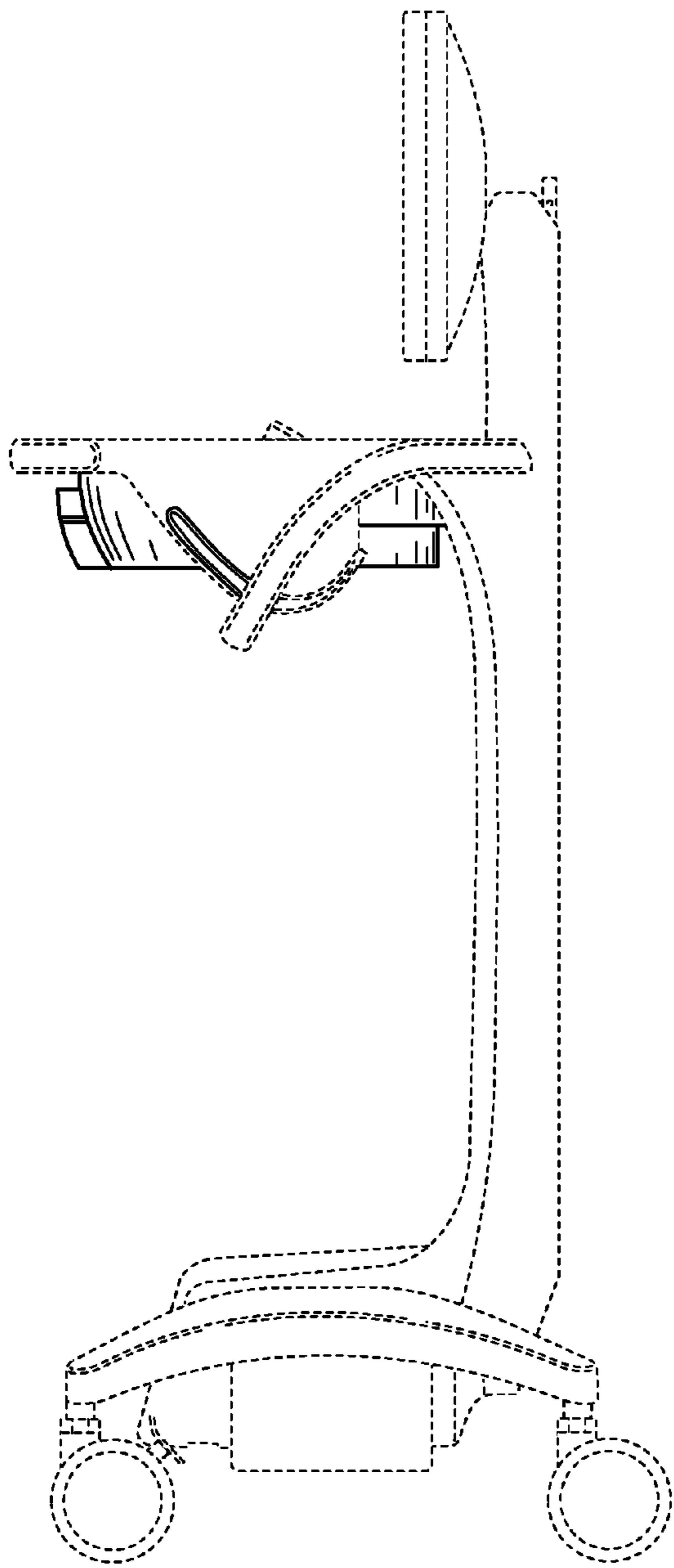


FIG. 4

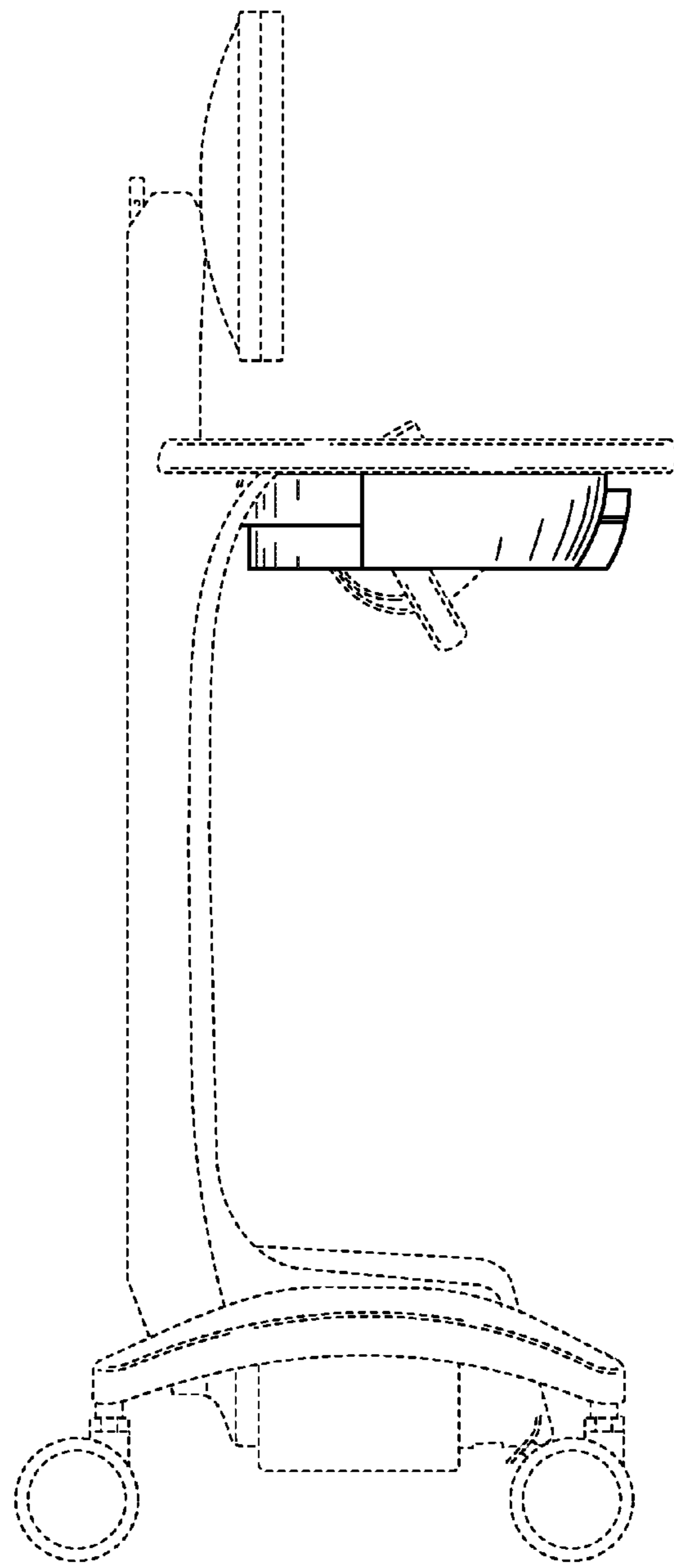


FIG. 5

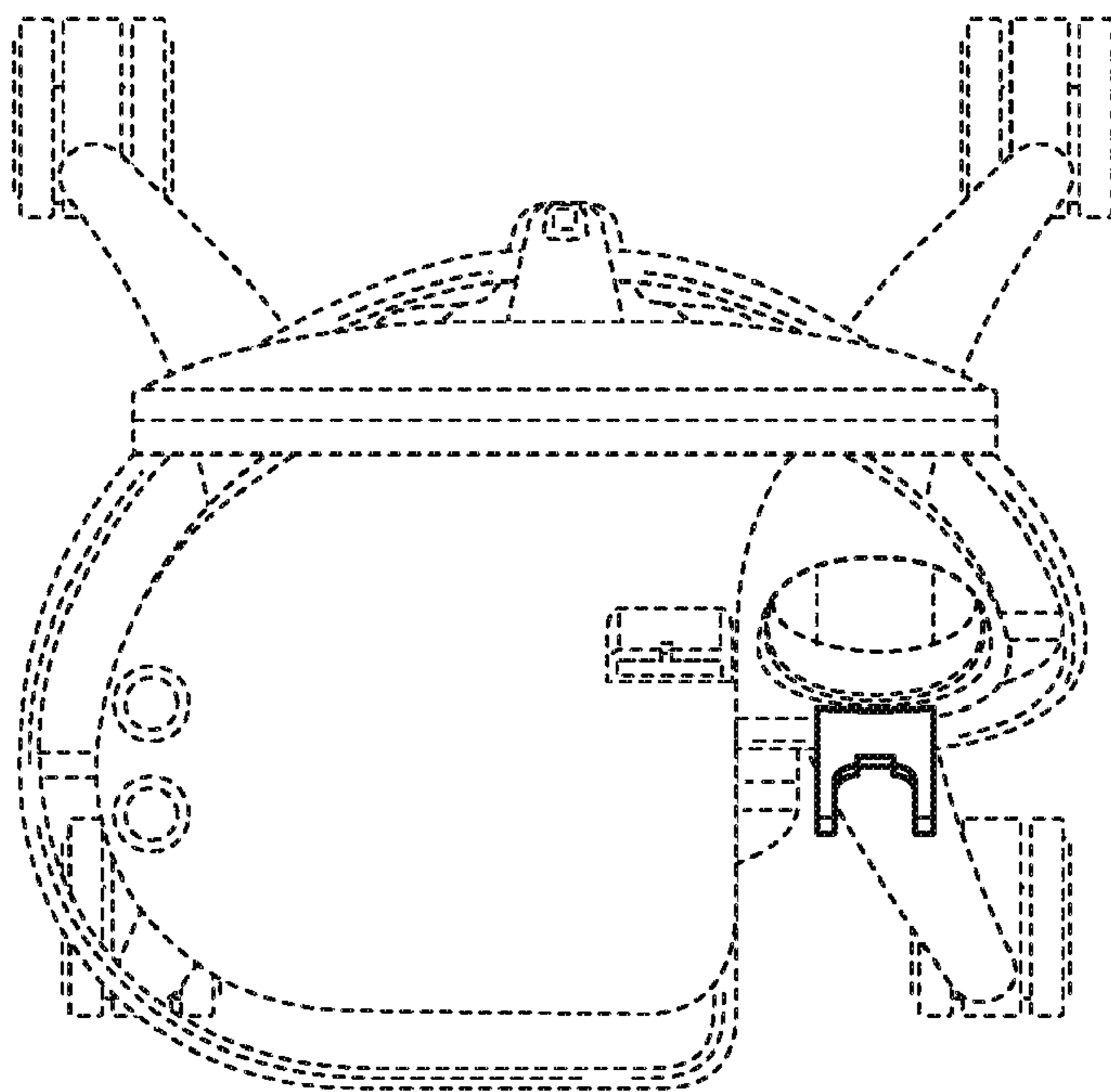


FIG. 6

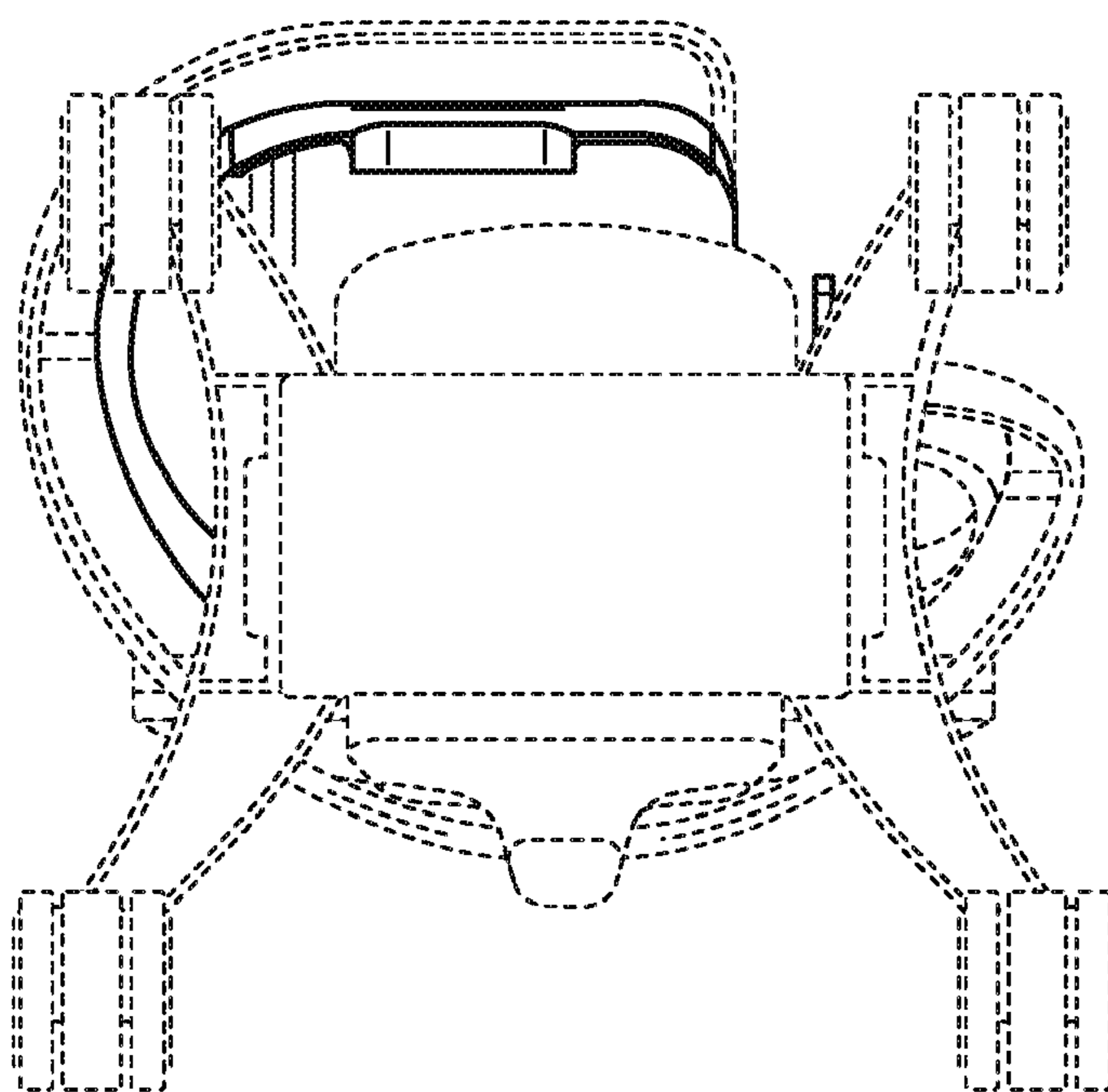


FIG. 7

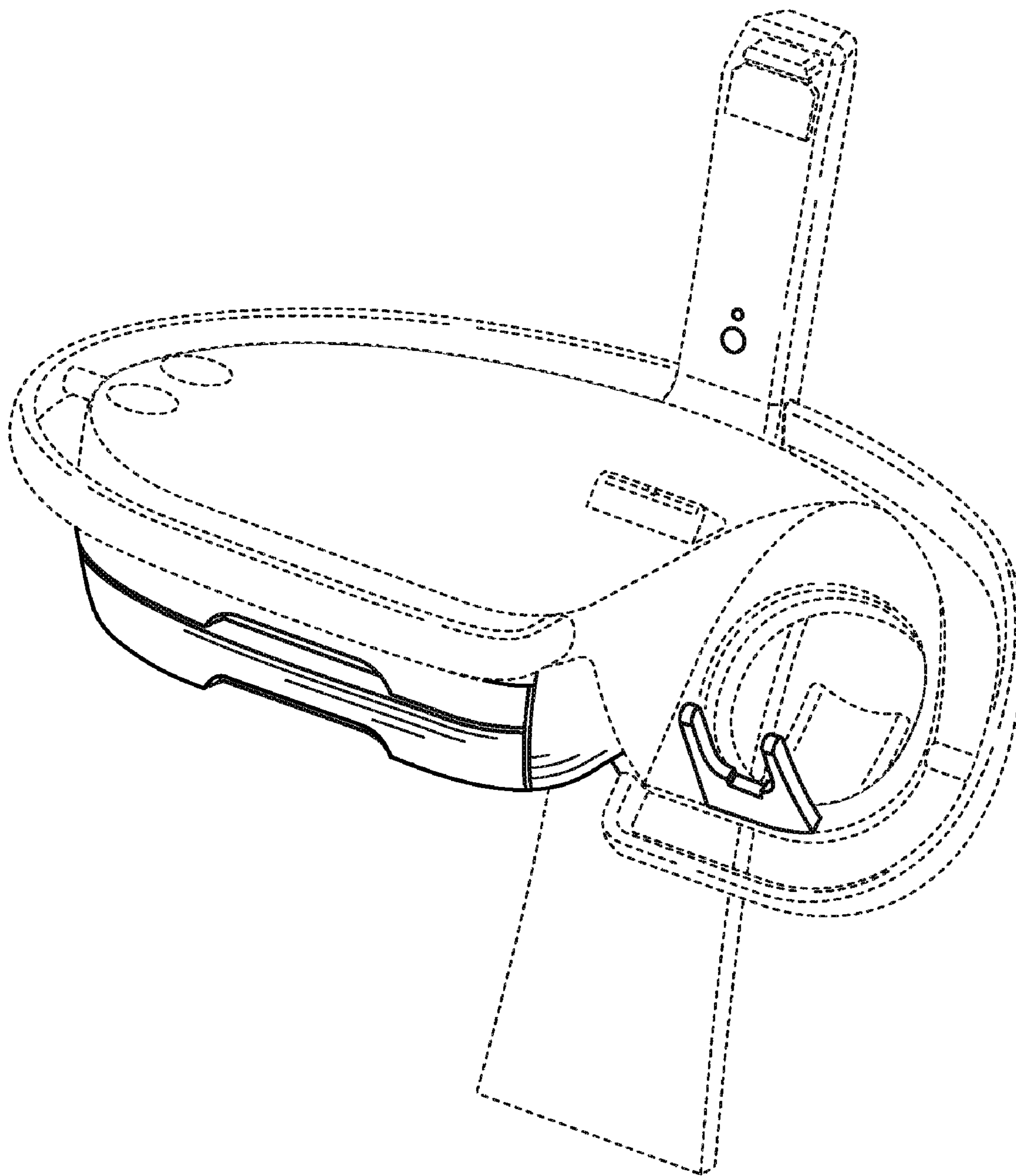


FIG. 8



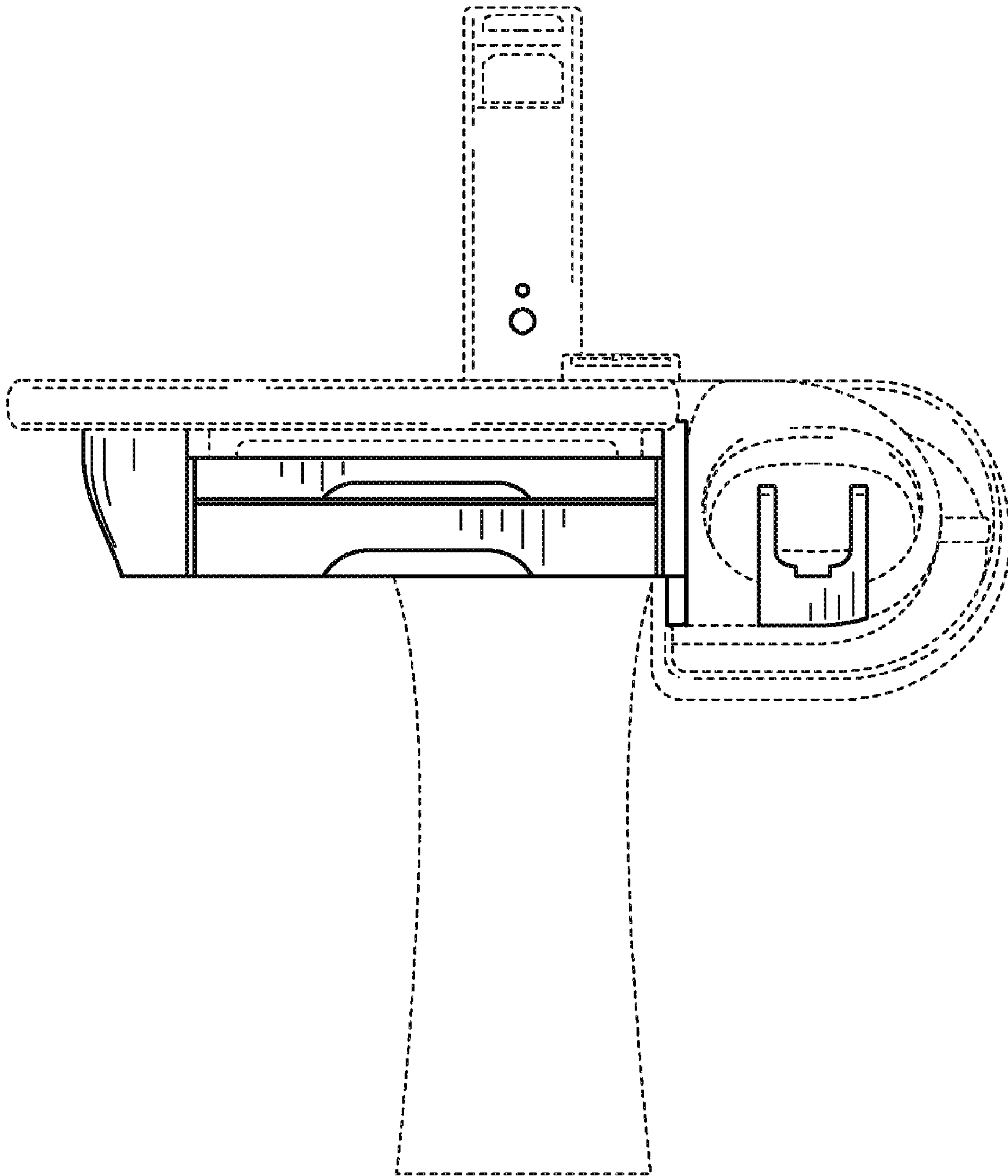


FIG. 9

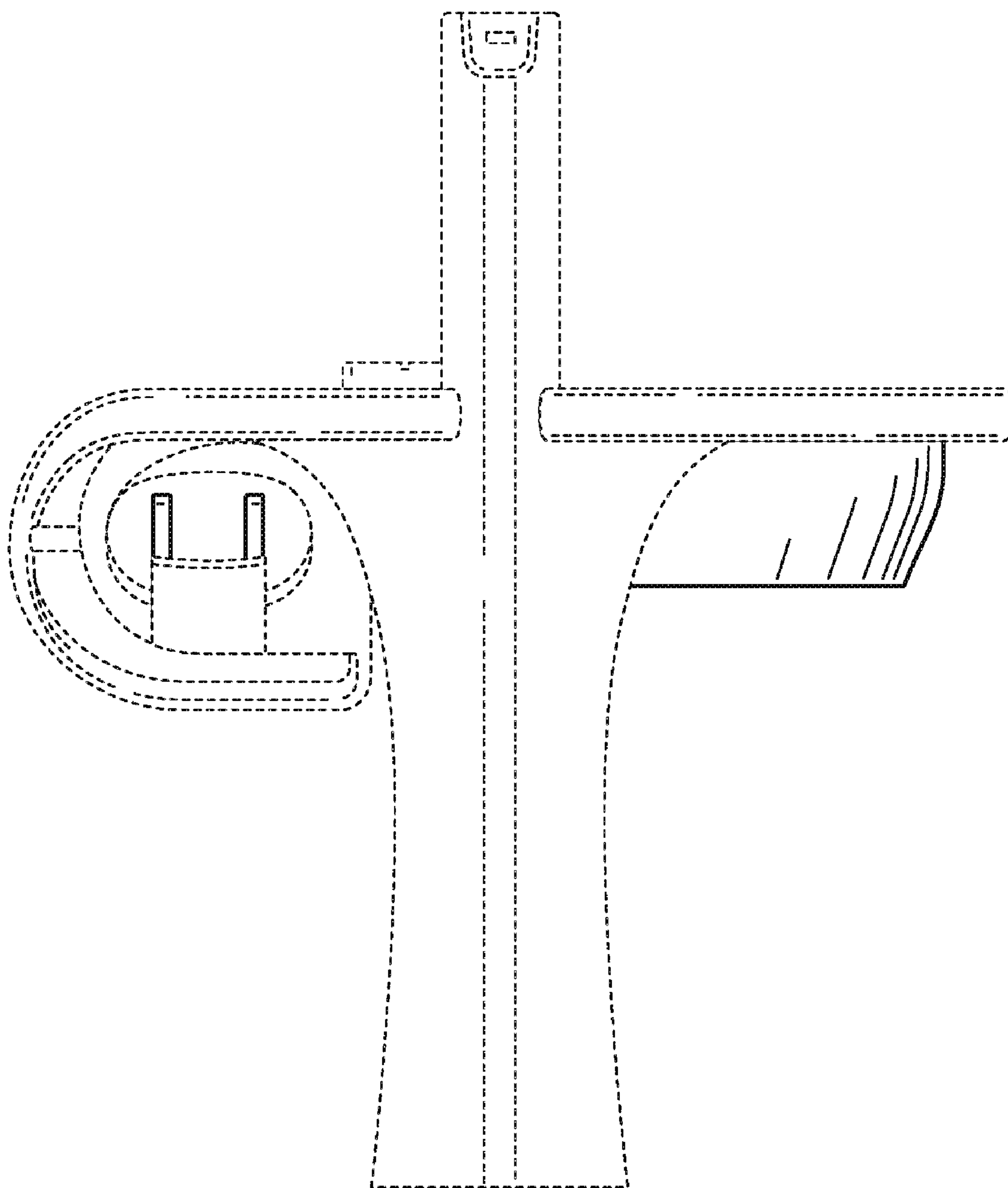


FIG. 10

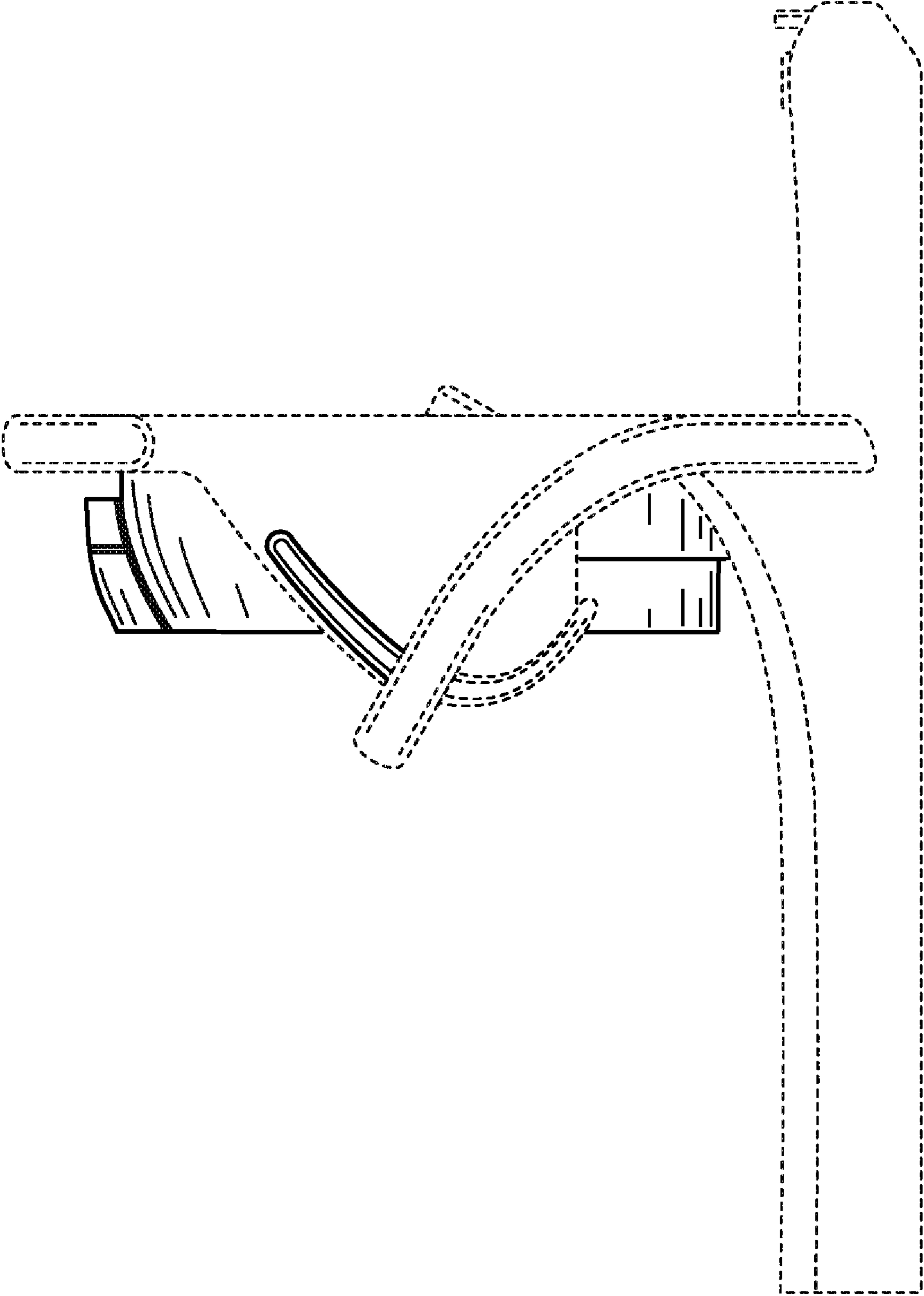


FIG. 11

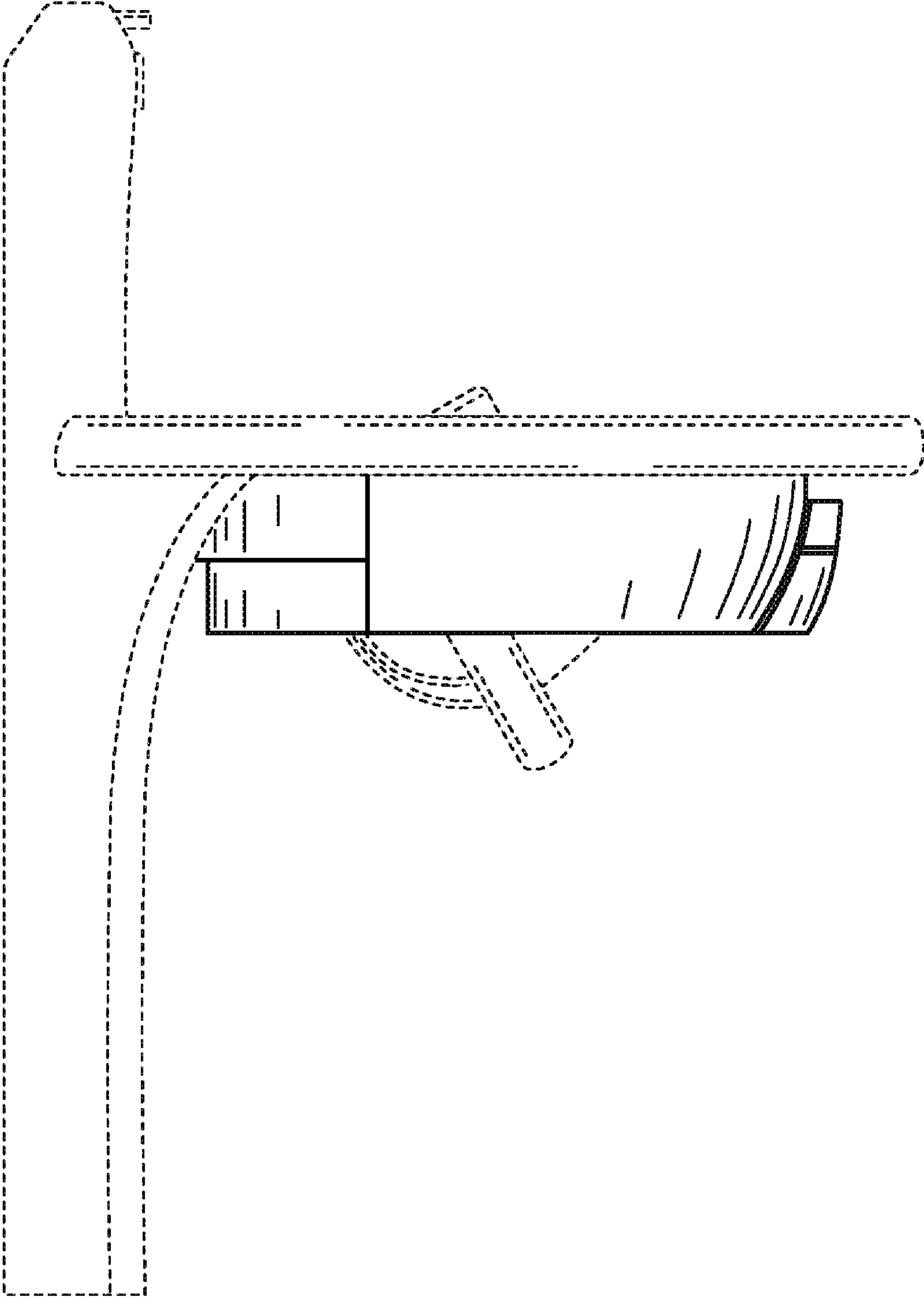


FIG. 12

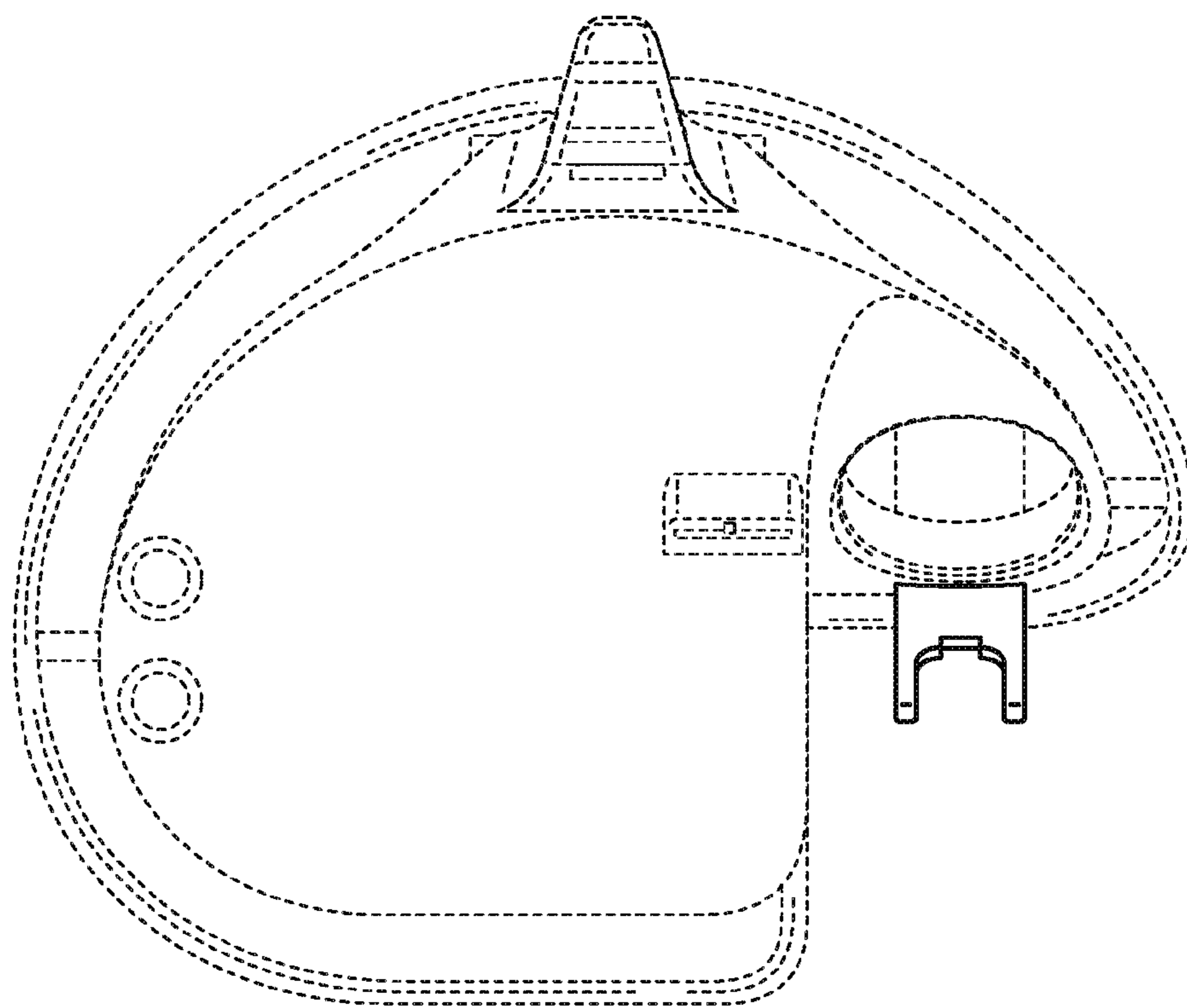


FIG. 13

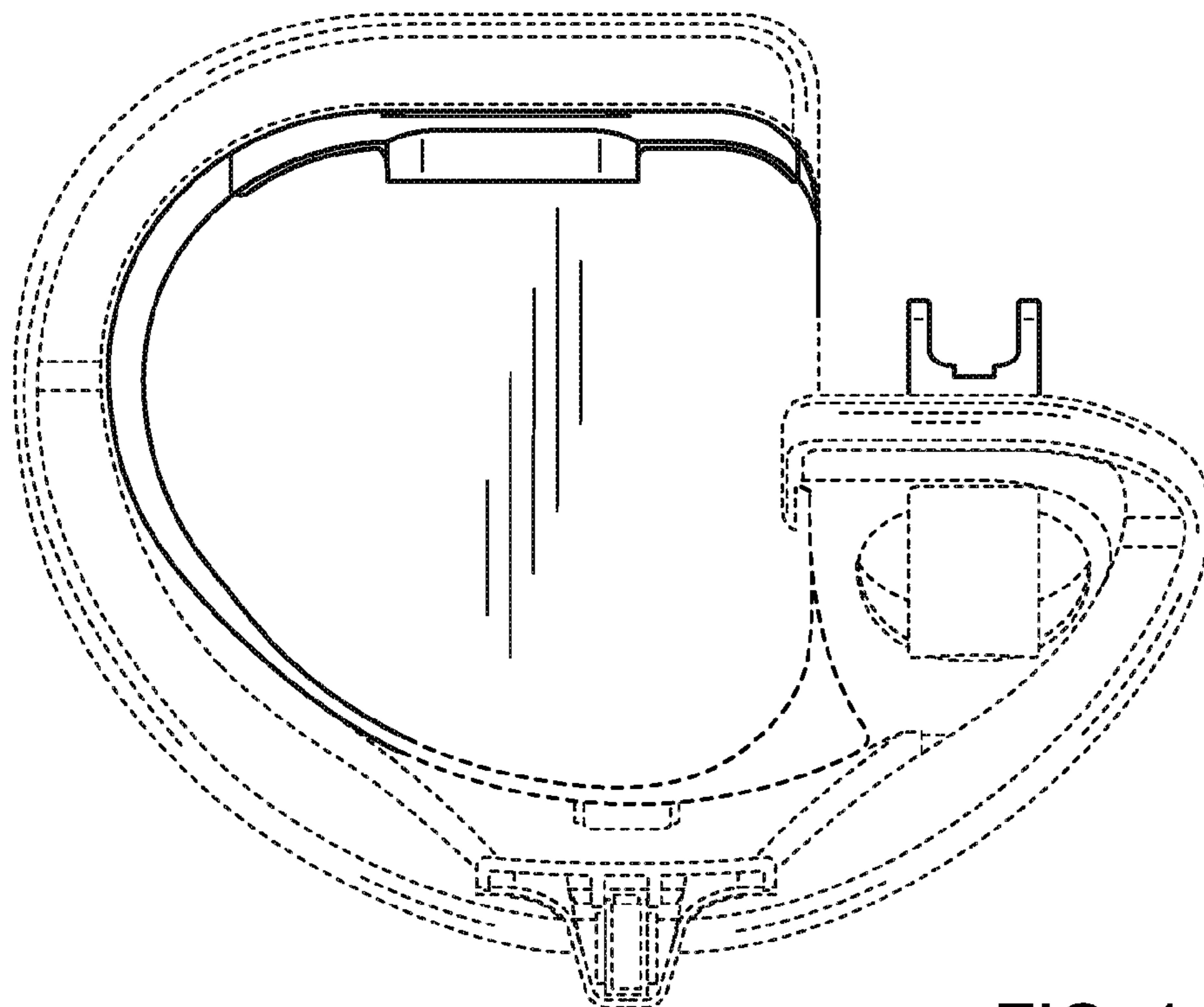


FIG. 14