



US00D613866S

(12) **United States Design Patent**  
**Tanaka et al.**

(10) **Patent No.:** **US D613,866 S**

(45) **Date of Patent:** **\*\* Apr. 13, 2010**

(54) **MEDICAL CART**

(75) Inventors: **Kazuna Tanaka**, Cos Cob, CT (US);  
**Jeffrey S. Kapec**, Westport, CT (US);  
**Yukiko Naoi**, New York, NY (US);  
**Daniel Licalzi**, Brooklyn, NY (US);  
**Christiano Butler**, Bardonia, NY (US);  
**Steven Wicksman**, Putnam Valley, NY  
(US)

(73) Assignee: **Electro-Optical Sciences, Inc.**,  
Irvington, NY (US)

(\*\*) Term: **14 Years**

(21) Appl. No.: **29/341,111**

(22) Filed: **Jul. 30, 2009**

(51) **LOC (9) Cl.** ..... **24-01**  
(52) **U.S. Cl.** ..... **D24/185**  
(58) **Field of Classification Search** ..... D24/164,  
D24/169, 172, 176, 185-186, 234; D34/12-27;  
D6/436, 460; 600/368, 372, 481, 529, 544,  
600/554; 280/47.18, 47.26, 47.34, 47.35  
See application file for complete search history.

(56) **References Cited**

**U.S. PATENT DOCUMENTS**

6,081,612 A 6/2000 Gutkowicz-Krusin et al.  
D434,502 S \* 11/2000 Gallant ..... D24/185  
6,208,749 B1 3/2001 Gutkowicz-Krusin et al.  
6,307,957 B1 10/2001 Gutkowicz-Krusin et al.  
6,563,616 B1 5/2003 Brenner  
6,626,558 B2 9/2003 Momot et al.  
6,657,798 B1 12/2003 Kabelevs et al.  
D486,915 S \* 2/2004 Warschewske et al. .... D24/185  
6,710,947 B1 3/2004 Momot et al.  
D512,508 S \* 12/2005 Mesaros ..... D24/185

D517,768 S \* 3/2006 Arceta ..... D34/14  
D518,267 S \* 3/2006 Arceta ..... D34/12  
7,102,672 B1 9/2006 Jacobs  
7,127,094 B1 10/2006 Elbaum et al.  
D531,728 S \* 11/2006 Helgeson ..... D24/164

(Continued)

**OTHER PUBLICATIONS**

Electro-Optical Sciences, Inc., Needham & Co. 7<sup>th</sup> Annual Bio/  
MedTech Conferene, Presentation re MELAFIND (Jun. 11, 2008, 35  
pages).

(Continued)

*Primary Examiner*—T. Chase Nelson  
*Assistant Examiner*—Mark Cavanna  
(74) *Attorney, Agent, or Firm*—Fish & Richardson P.C.

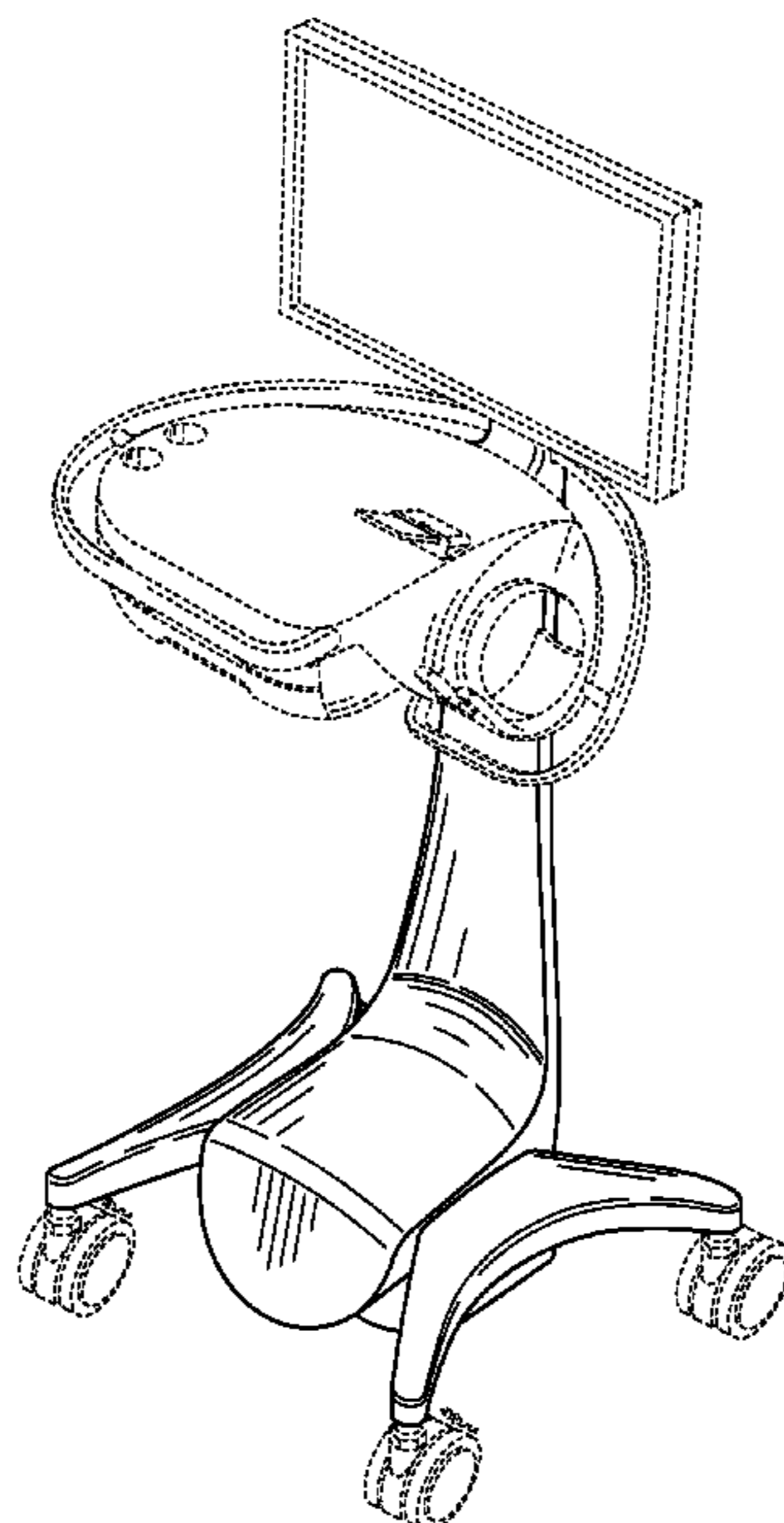
(57) **CLAIM**

The ornamental design for a medical cart, as shown and  
described.

**DESCRIPTION**

FIG. 1 is a perspective view of a medical cart showing our new  
design;  
FIG. 2 is a front view of the medical cart of FIG. 1;  
FIG. 3 is a rear view of the medical cart of FIG. 1;  
FIG. 4 is a right side view of the medical cart of FIG. 1;  
FIG. 5 is a left side view of the medical cart of FIG. 1;  
FIG. 6 is a top plan view of the medical cart of FIG. 1; and,  
FIG. 7 is a bottom plan view of the medical cart of FIG. 1.  
The broken lines are included for the purpose of illustrating  
portions of the medical cart that form no part of the claimed  
design.

**1 Claim, 5 Drawing Sheets**



U.S. PATENT DOCUMENTS

D548,918	S *	8/2007	Nussberger .....	D34/17
D585,991	S *	2/2009	Helgeson et al. ....	D24/176
7,490,837	B2 *	2/2009	Pond et al. ....	280/47.35
D588,272	S *	3/2009	Meiser .....	D24/185
D596,420	S *	7/2009	Yoshida .....	D6/396
7,594,668	B2 *	9/2009	Arceta et al. ....	280/47.35
2008/0031537	A1	2/2008	Gutkowicz-Krusin et al.	
2008/0214907	A1	9/2008	Gutkowicz-Krusin et al.	
2008/0312952	A1	12/2008	Gulfo et al.	
2009/0060304	A1	3/2009	Gulfo et al.	
2009/0154781	A1	6/2009	Bogdan	

OTHER PUBLICATIONS

Electro-Optical Sciences, Inc. 2008 Annual Report (Apr. 15, 2009, 88 pages).  
 Electro-Optical Sciences, Inc. 2007 Annual Report (Apr. 15, 2008, 96 pages).  
 Van Dusen, A., "Invasive biopsies may soon be a thing of the past if these detection methods prove effective," *Forbes* (Aug. 22, 2008, 3 pages).  
 Thumbnail image titled "eos-moneyshot.jpg" downloaded from <http://images.google.com> on Jul. 27, 2009, and copy of source code

indicating that the thumbnail image was originally available on <http://www.daniellicalzi.com> on Jun. 2009, 2 pages.  
 Howard Teacher's Pet—Revolutionary Classroom Management, <http://www.howardcomputers.com/petcart/>, downloaded from internet on Jul. 30, 2009, 6 pages.  
 FreelanceDesigners.org, Daniel LiCalzi, Live Beta, downloaded from the internet on Jun. 26, 2009, 3 pages.  
 Tanaka Kapec Design Group, Inc., Strategic Product Development + Industrial Design, <http://www.tkdg.com/>, downloaded from the internet on Jun. 26, 2009, 3 pages.  
 Slides depicting a mock user interface of a prototype medical cart, American Academy of Dermatology conference (Feb. 2009).  
 Script used during demonstration of a mock user interface of a prototype medical cart, American Academy of Dermatology conference (Feb. 2009).  
 Photographs of a medical cart used in clinical trials (Dec. 2006-Jul. 2008).  
 Pair Transaction History and U.S. Appl. No. 29/341,114, filed Jul. 30, 2009.  
 Pair Transaction History and U.S. Appl. No. 12/512,775, filed Jul. 30, 2009.  
 Pair Transaction History and U.S. Appl. No. 12/512,895, filed Jul. 30, 2009.

\* cited by examiner

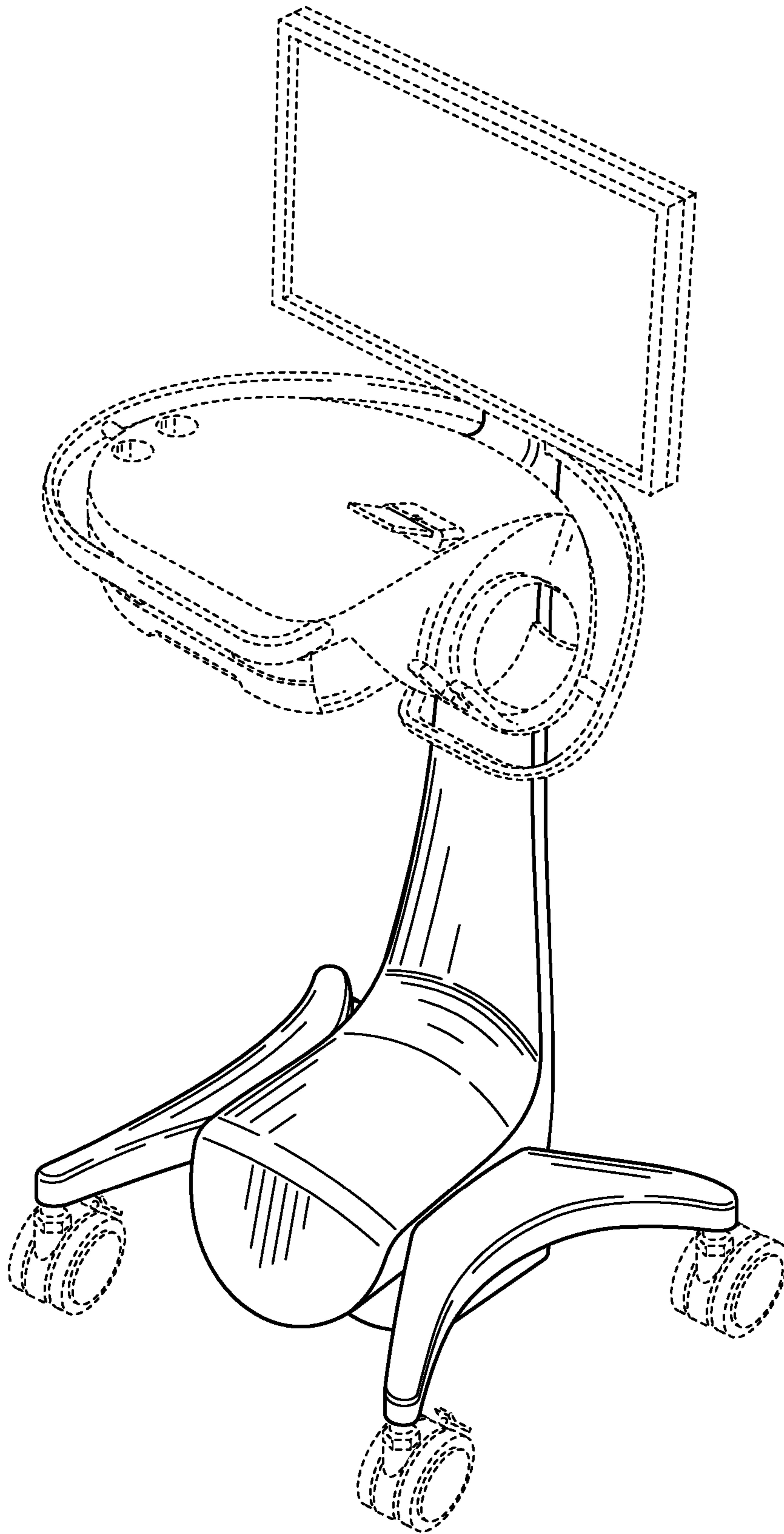


FIG. 1

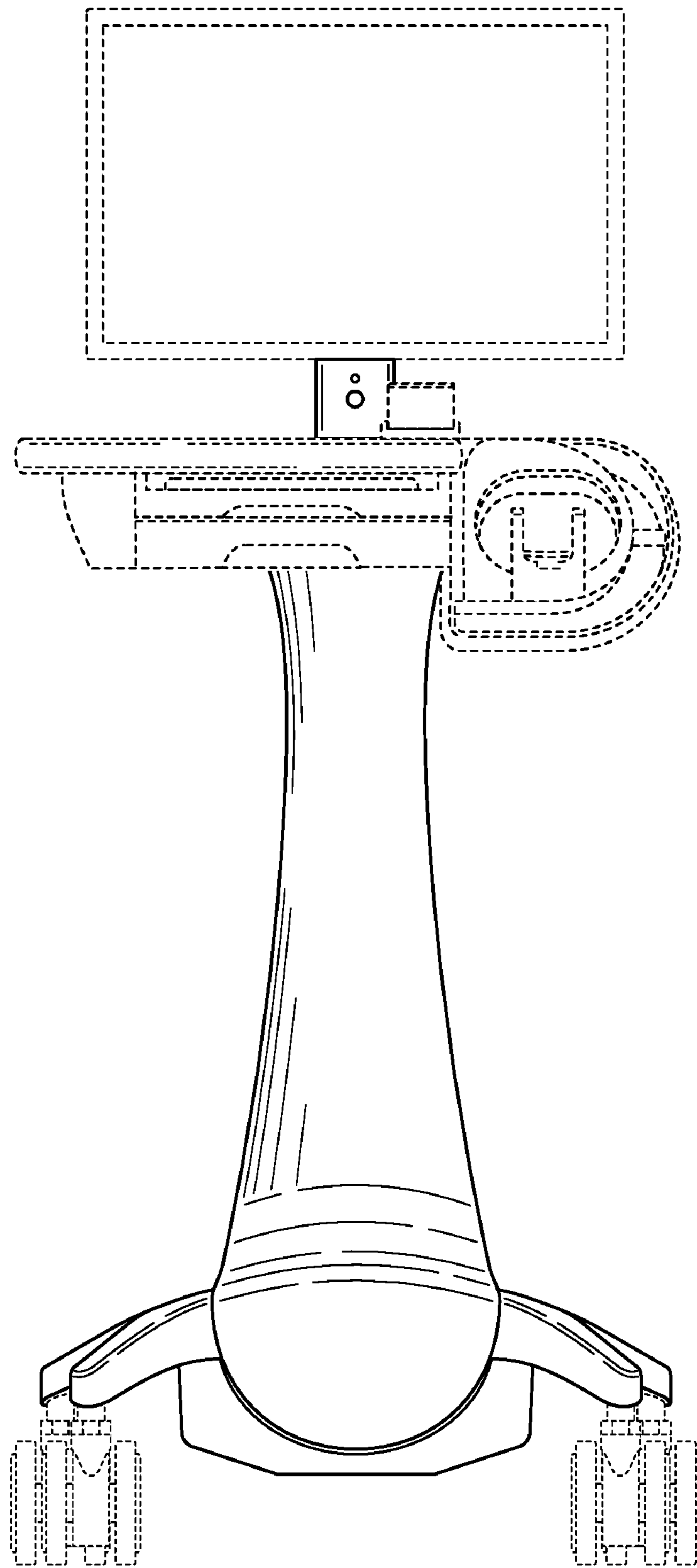


FIG. 2

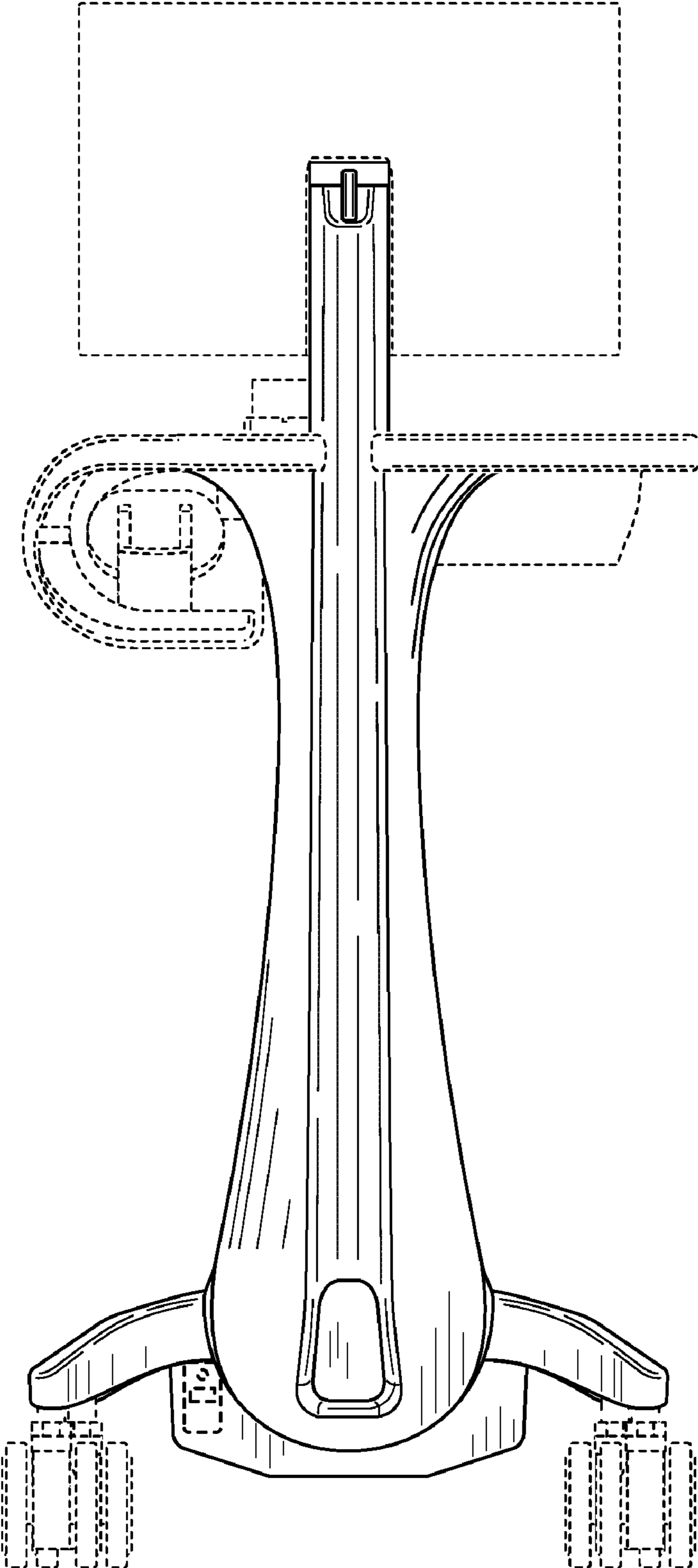


FIG. 3

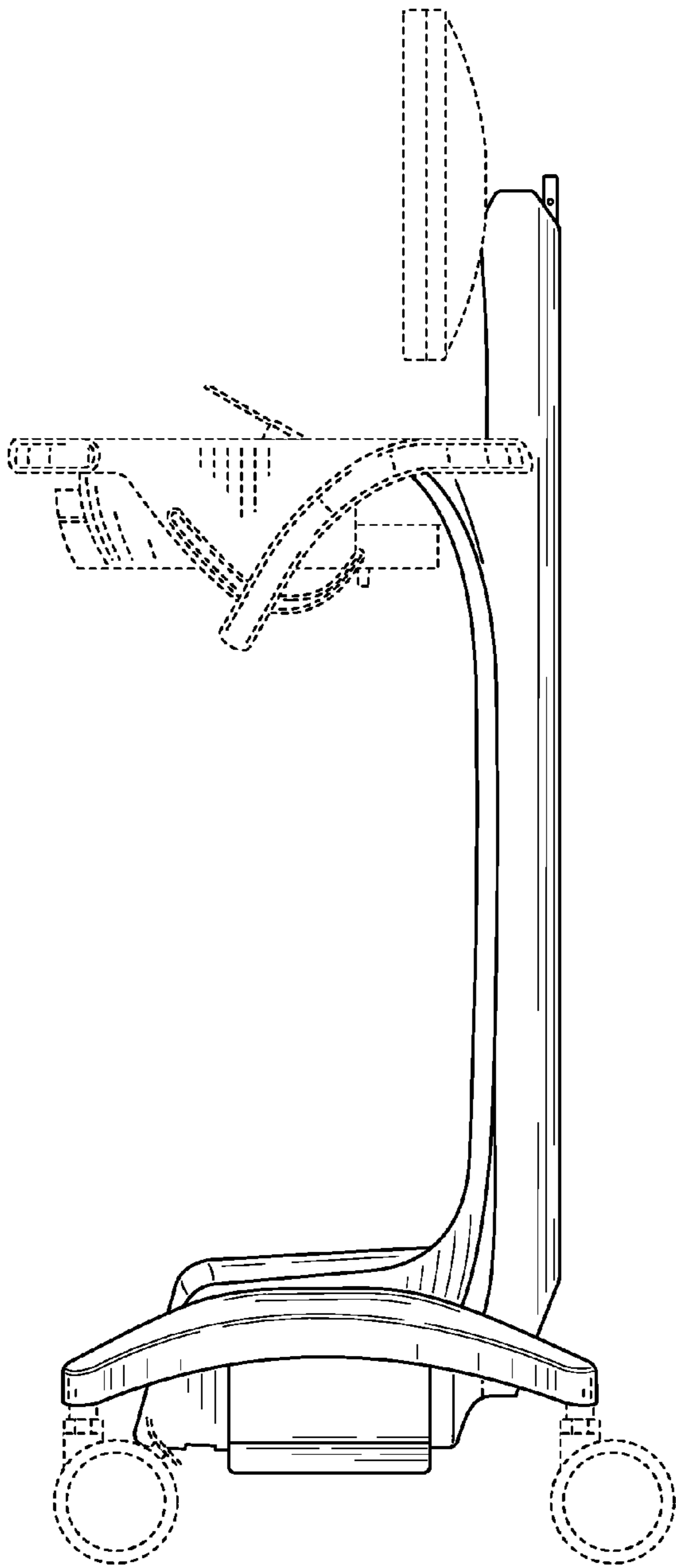


FIG. 4

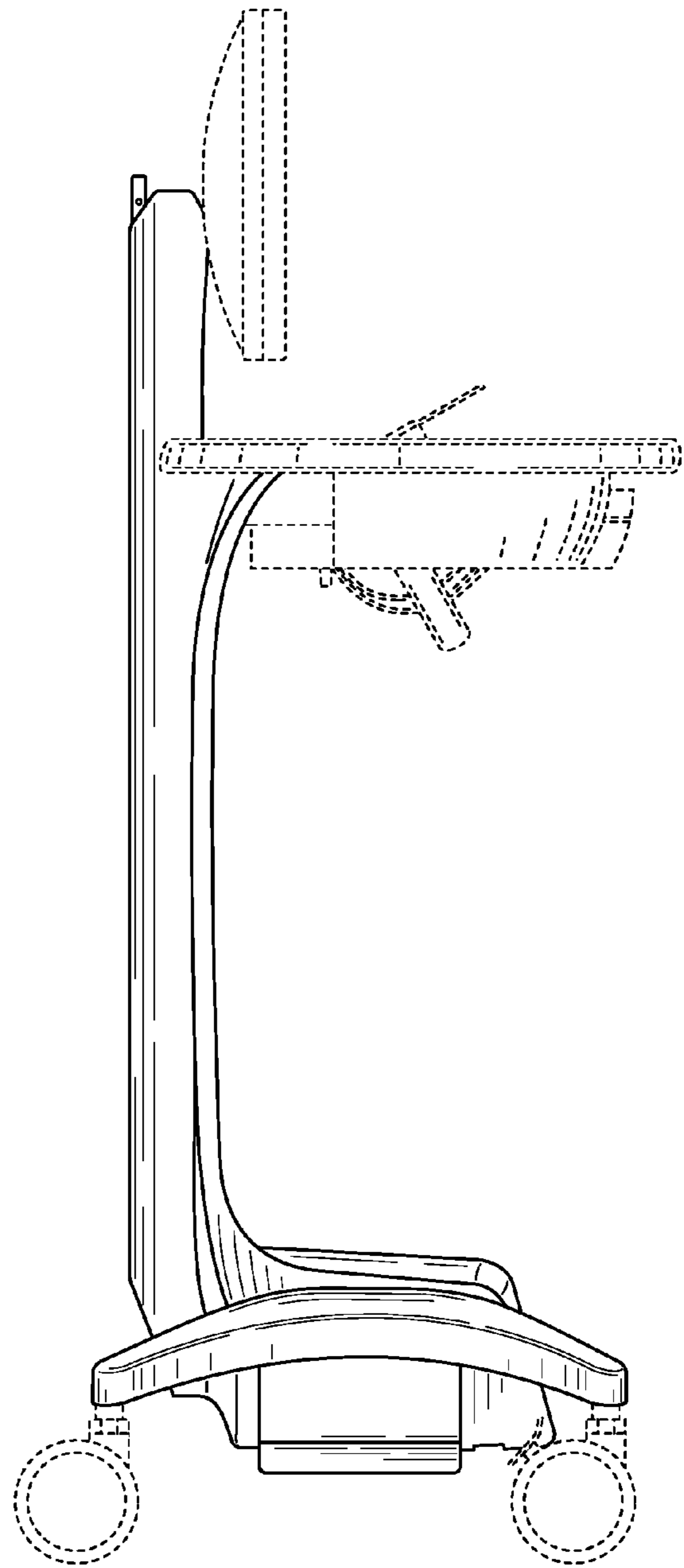


FIG. 5

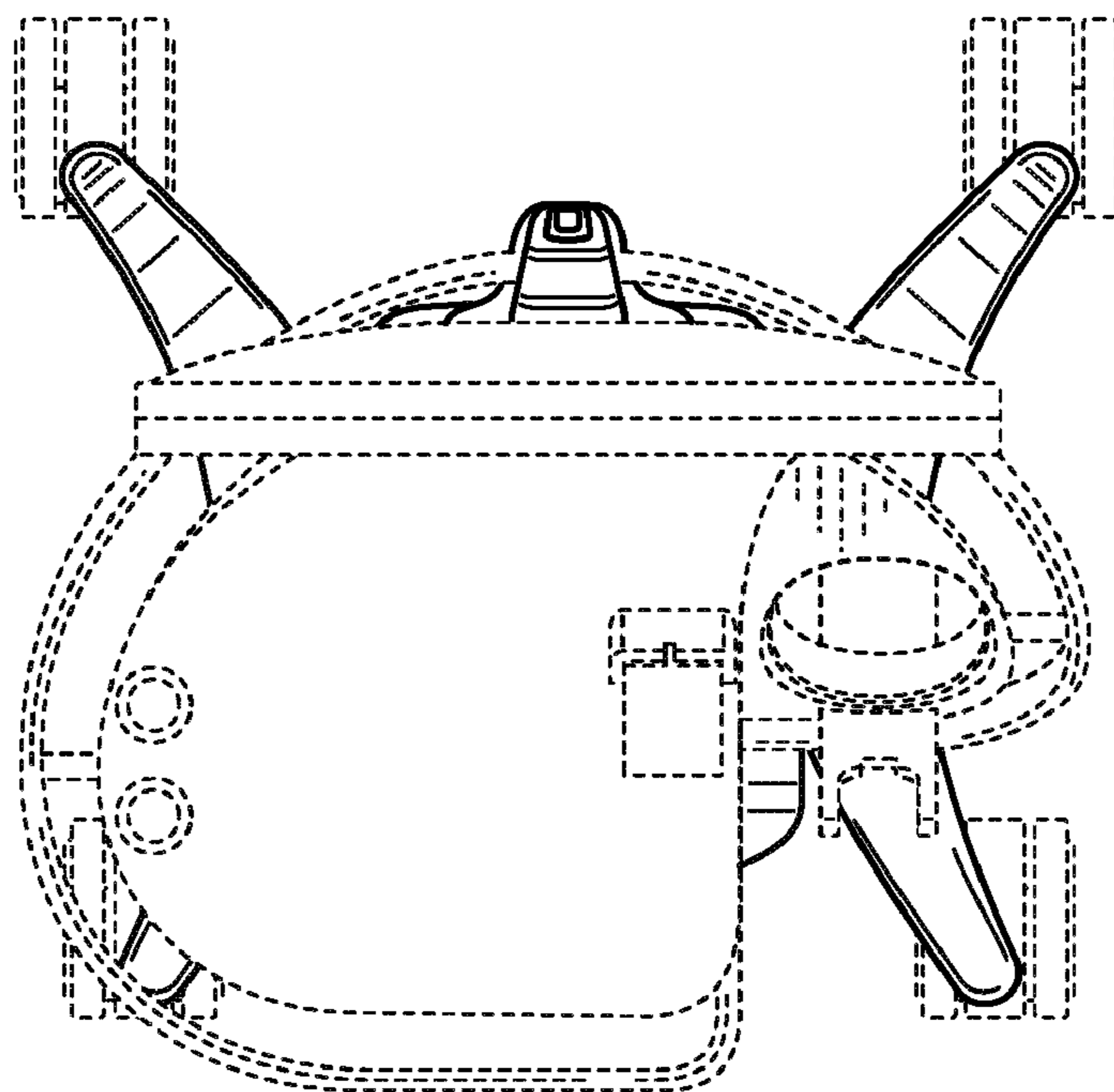


FIG. 6

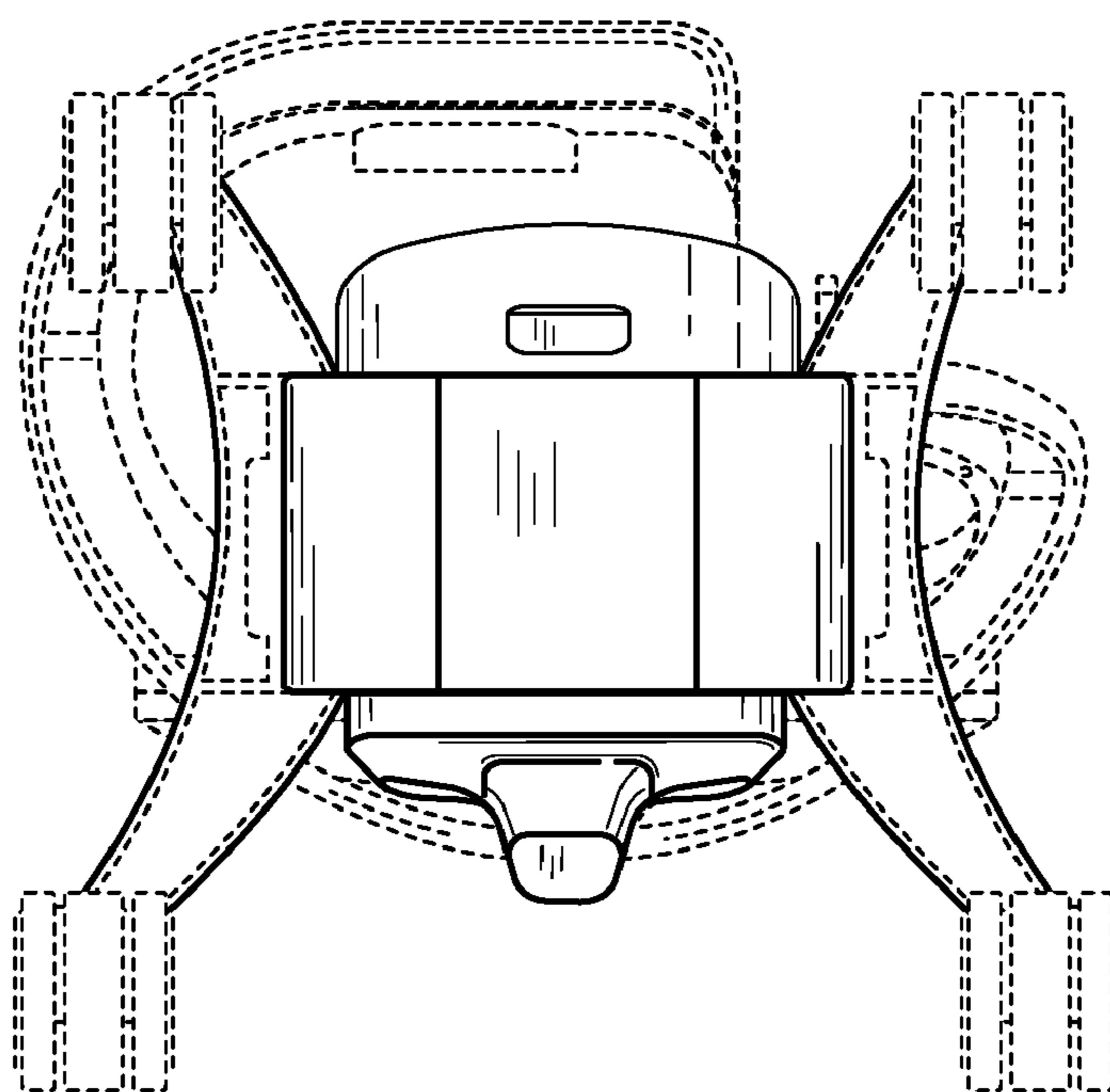


FIG. 7