



US00D613864S

(12) **United States Design Patent**
Colton et al.

(10) **Patent No.:** **US D613,864 S**

(45) **Date of Patent:** **** Apr. 13, 2010**

(54) **TATTOO APPLICATOR**

(76) Inventors: **Brett Colton**, 1040 Seminole Dr., Apt.
863, Ft. Lauderdale, FL (US) 33304;
Shimon Ruimy, 1040 Seminole Dr., Apt.
863, Ft. Lauderdale, FL (US) 33304

(**) Term: **14 Years**

(21) Appl. No.: **29/318,922**

(22) Filed: **May 30, 2008**

(51) **LOC (9) Cl.** **24-02**

(52) **U.S. Cl.** **D24/144; D24/146**

(58) **Field of Classification Search** D24/144,
D24/146, 170; D28/7-8; 81/9.22; 606/185-186;
604/47-48, 289

See application file for complete search history.

(56) **References Cited**

U.S. PATENT DOCUMENTS

768,413	A *	8/1904	Wagner	606/116
4,771,660	A *	9/1988	Yacowitz	81/9.22
5,401,242	A *	3/1995	Yacowitz	604/48
6,282,987	B1 *	9/2001	Moniz	81/9.22
6,550,356	B1 *	4/2003	Underwood	81/9.22
6,596,007	B2 *	7/2003	Evans	606/186
6,772,656	B2 *	8/2004	Godoy et al.	81/9.22
6,950,004	B2 *	9/2005	Godoy et al.	336/160

2005/0028647	A1 *	2/2005	Sloan	81/9.22
2008/0300615	A1 *	12/2008	Colton et al.	606/186
2009/0183602	A1 *	7/2009	Crockett	81/9.22

* cited by examiner

Primary Examiner—Ian Simmons

Assistant Examiner—Wan Laymon

(74) *Attorney, Agent, or Firm*—Mayback & Hoffman, P.A.;
Gregory L. Mayback; Scott D. Smiley

(57) **CLAIM**

The ornamental design for a tattoo applicator, as shown and described.

DESCRIPTION

FIG. 1 is a front, top and right side perspective view of a tattoo applicator showing our design;

FIG. 2 is a right side elevation of the tattoo gun of FIG. 1;

FIG. 3 is a front end elevation of the tattoo gun of FIG. 1;

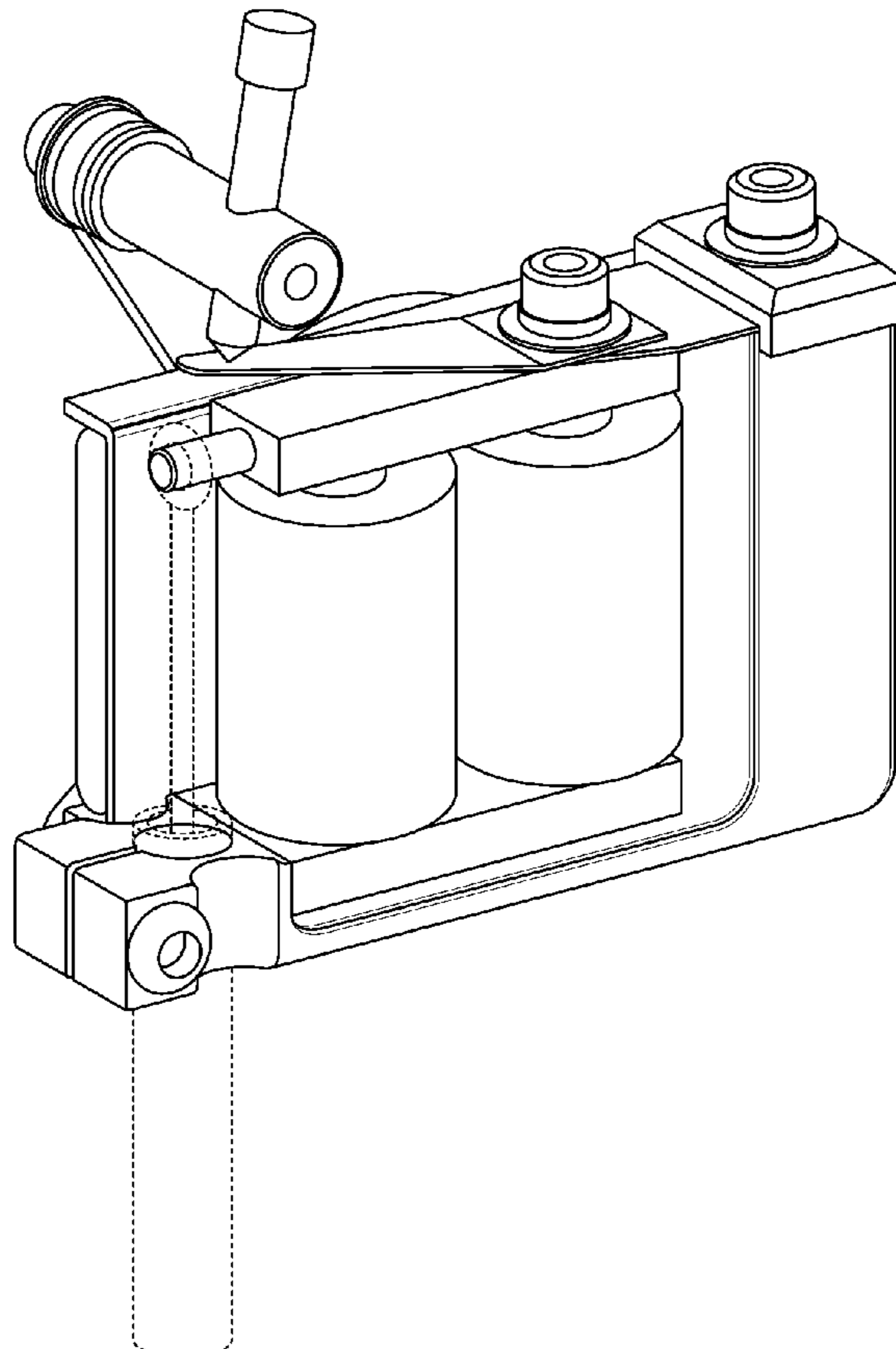
FIG. 4 is a left side elevation of the tattoo gun of FIG. 1;

FIG. 5 is a rear end elevation of the tattoo gun of FIG. 1; and,

FIG. 6 is a top plan view of the tattoo gun of FIG. 1.

Broken lines through out the figures form no part of the claimed design but rather are simply provided to show the environment.

1 Claim, 6 Drawing Sheets



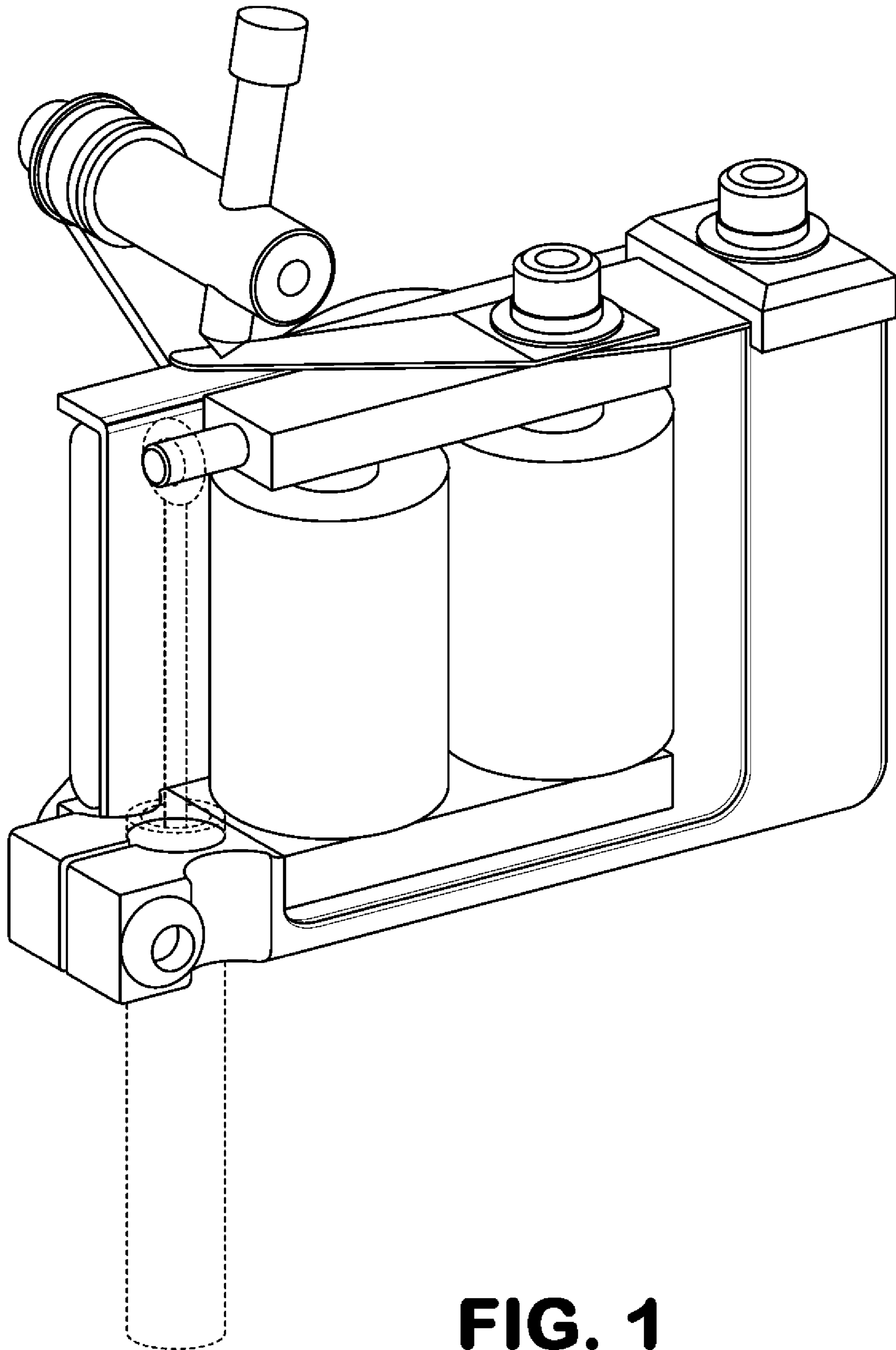


FIG. 1

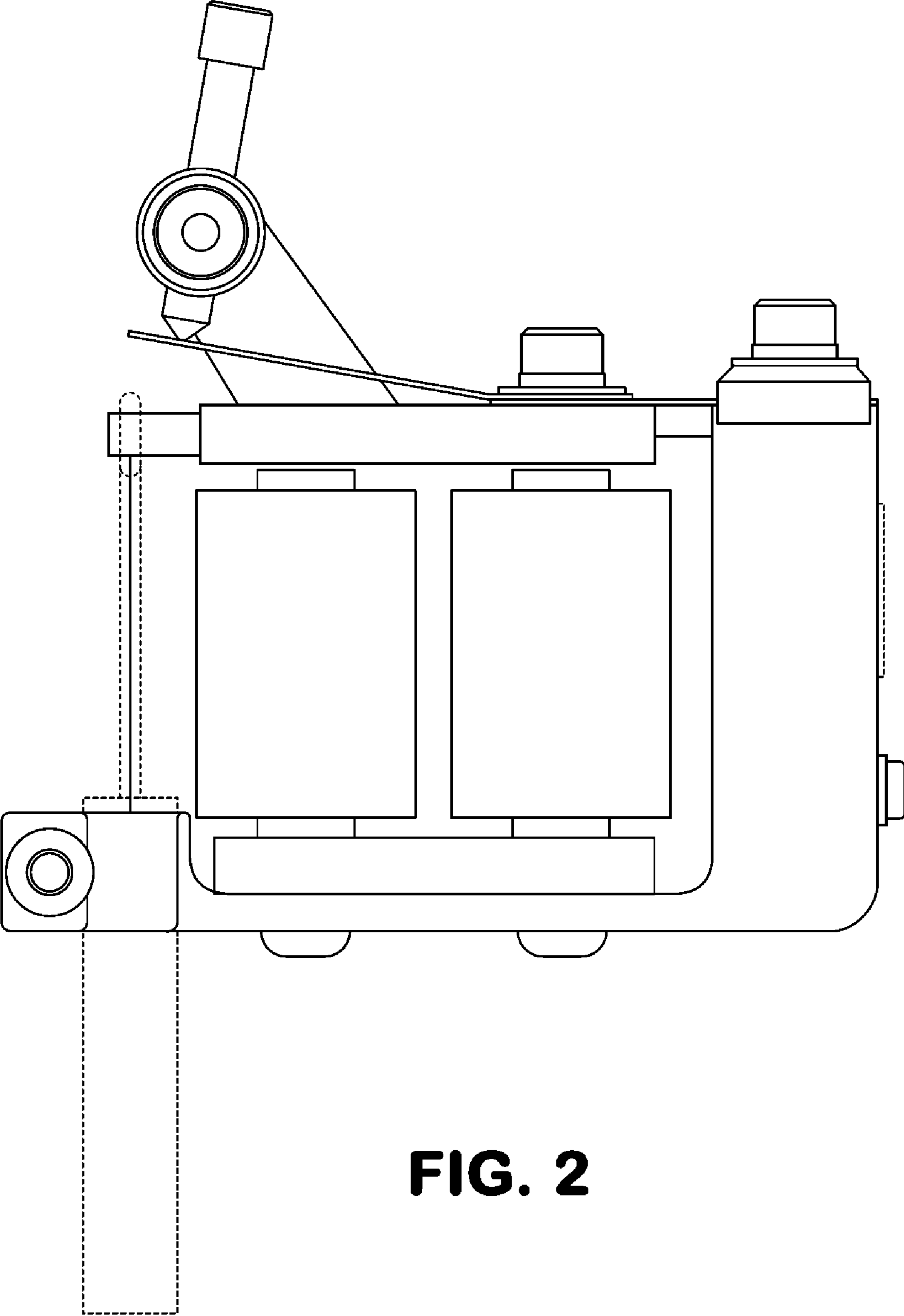


FIG. 2

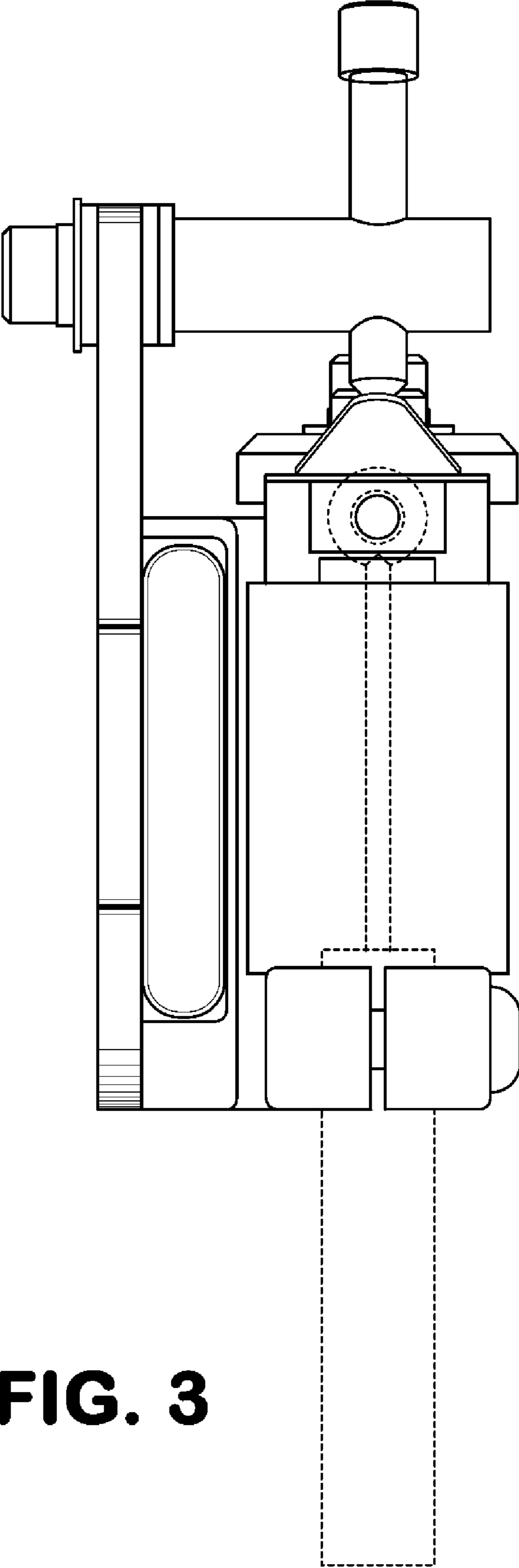


FIG. 3

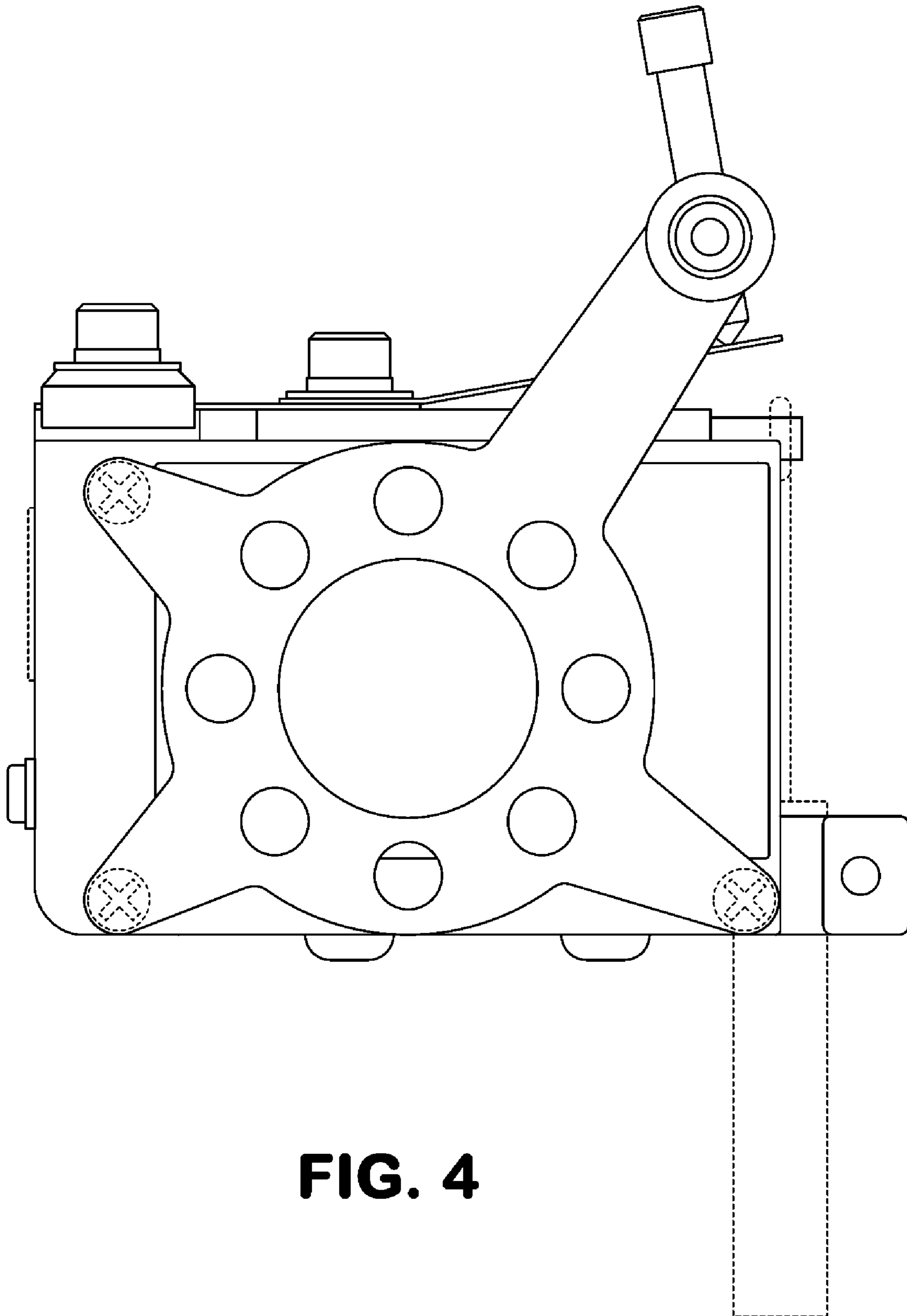


FIG. 4

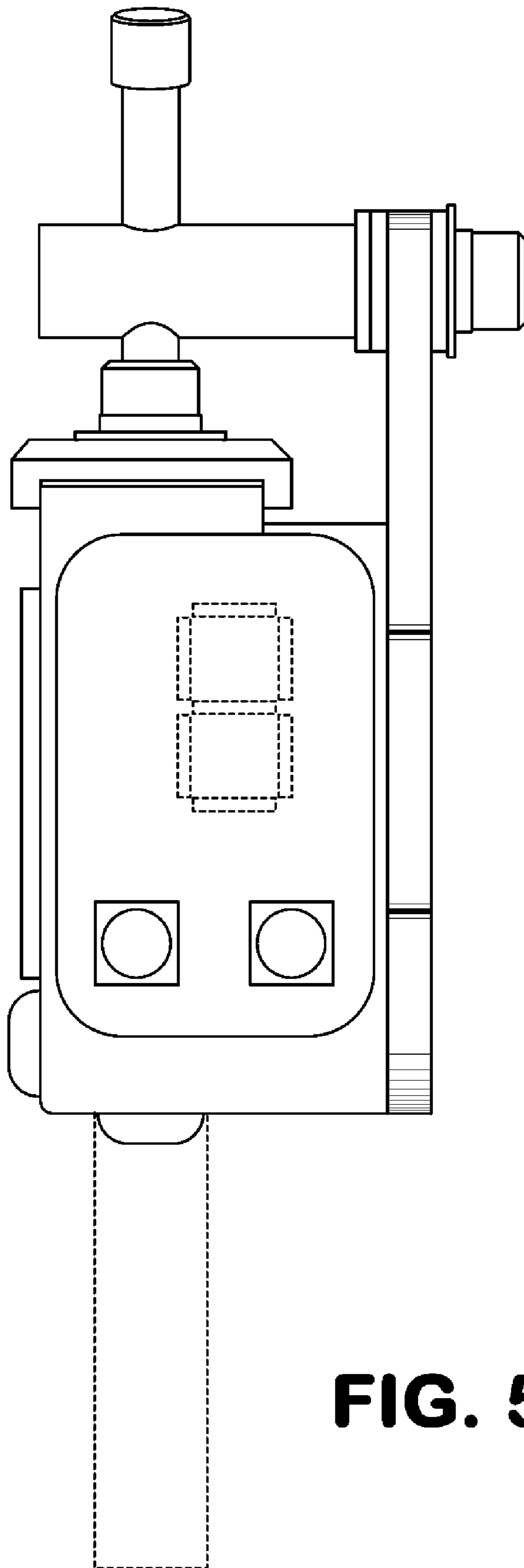


FIG. 5

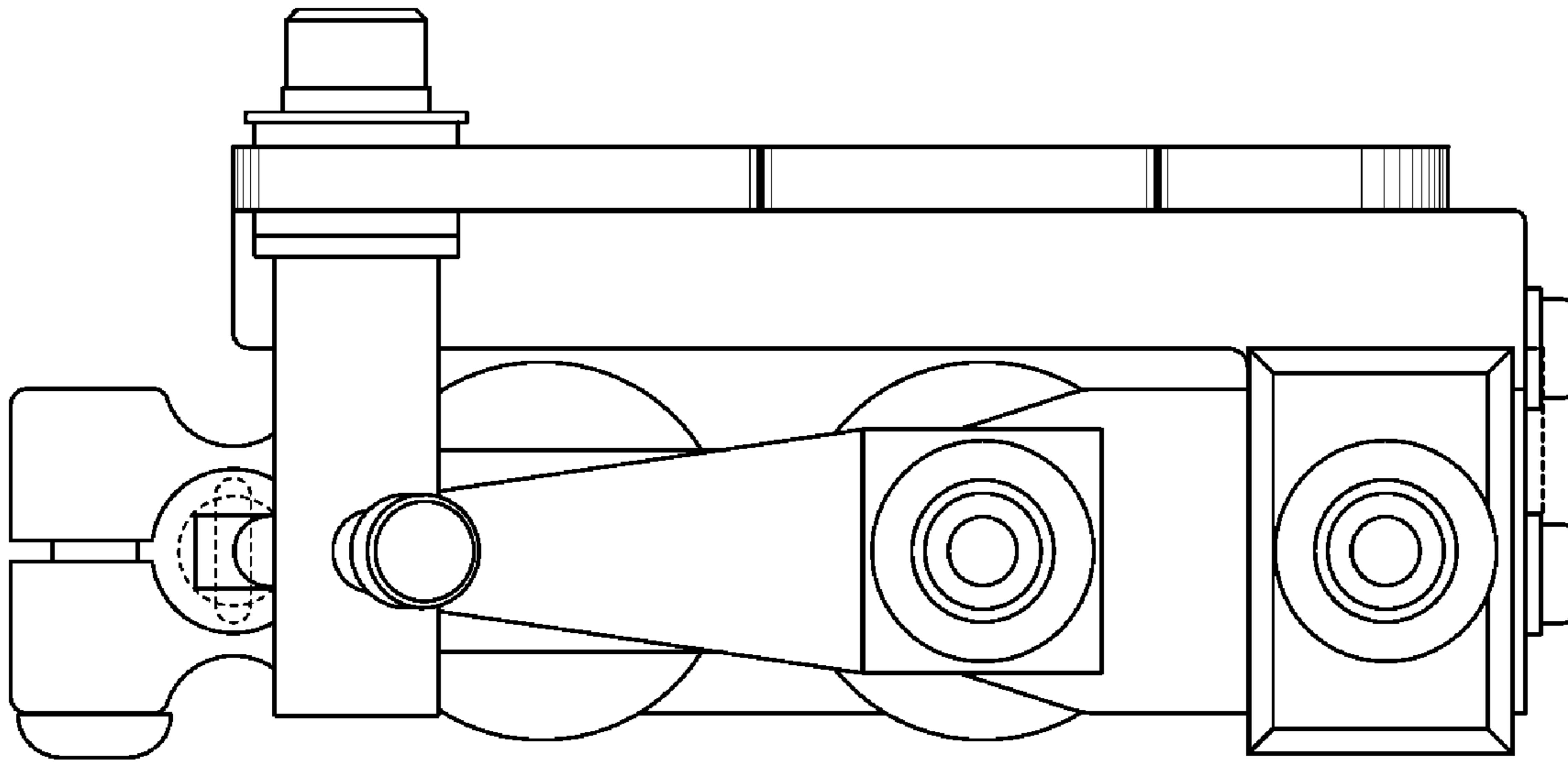


FIG. 6