



US00D613862S

(12) **United States Design Patent**
Vue et al.

(10) **Patent No.:** **US D613,862 S**
(45) **Date of Patent:** **** Apr. 13, 2010**

(54) **BELL AND DIAPHRAGM DISPOSABLE COVER**

D491,264 S * 6/2004 Dorn D24/122
D606,188 S * 12/2009 Villarreal D24/105

(76) Inventors: **Gee Vue**, 7869 Cedar Springs Way,
Sacramento, CA (US) 95832; **Mai Vue**,
7869 Cedar Springs Way, Sacramento,
CA (US) 95832

* cited by examiner

Primary Examiner—Ian Simmons
Assistant Examiner—Charles D Hanson

(**) Term: **14 Years**

(57) **CLAIM**

(21) Appl. No.: **29/341,804**

I claim, the ornamental design for the bell and diaphragm disposable cover, as shown and described.

(22) Filed: **Aug. 12, 2009**

DESCRIPTION

(51) **LOC (9) Cl.** **24-02**

FIG. 1 is a front elevational view of the bell and diaphragm disposable cover showing my new design;

(52) **U.S. Cl.** **D24/134; D24/106**

FIG. 2 is a top plan view of the bell and diaphragm disposable cover thereof;

(58) **Field of Classification Search** D24/134,
D24/205, 206, 122; 181/131; 600/528, 38;
D29/117.2; 128/844, 842

FIG. 3 is a bottom plan view of the bell and diaphragm disposable cover thereof; and,

See application file for complete search history.

FIG. 4 is a perspective view of the bell and diaphragm disposable cover thereof.

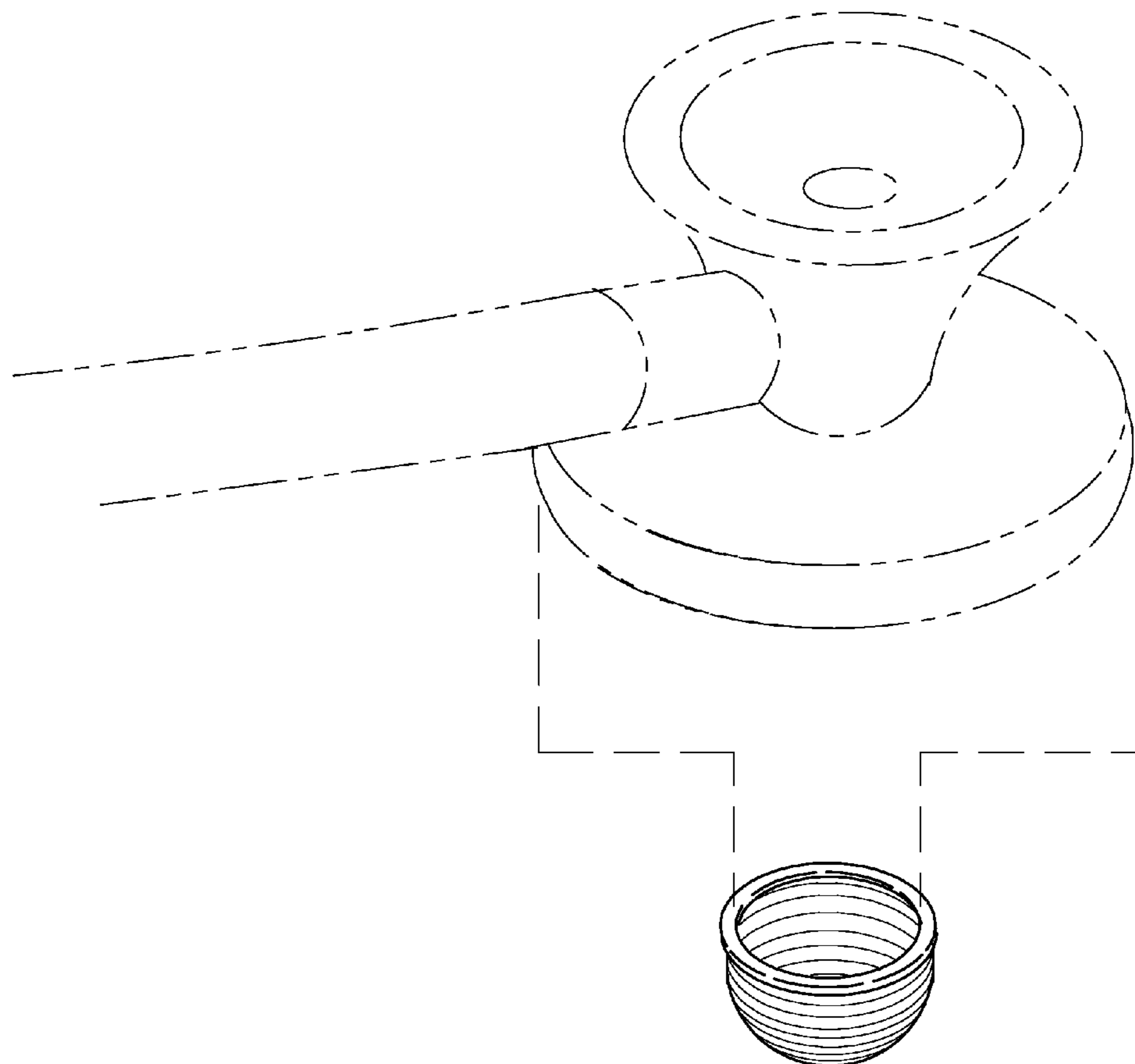
(56) **References Cited**

The broken line showing of the stethoscope is included for the purpose of illustrating environment and forms no part of the claimed design.

U.S. PATENT DOCUMENTS

5,428,193 A * 6/1995 Mandiberg 181/131
D375,162 S * 10/1996 Gilbert D24/134
5,564,431 A * 10/1996 Seward 600/528
D403,138 S * 12/1998 Wilmot D29/117.2

1 Claim, 2 Drawing Sheets



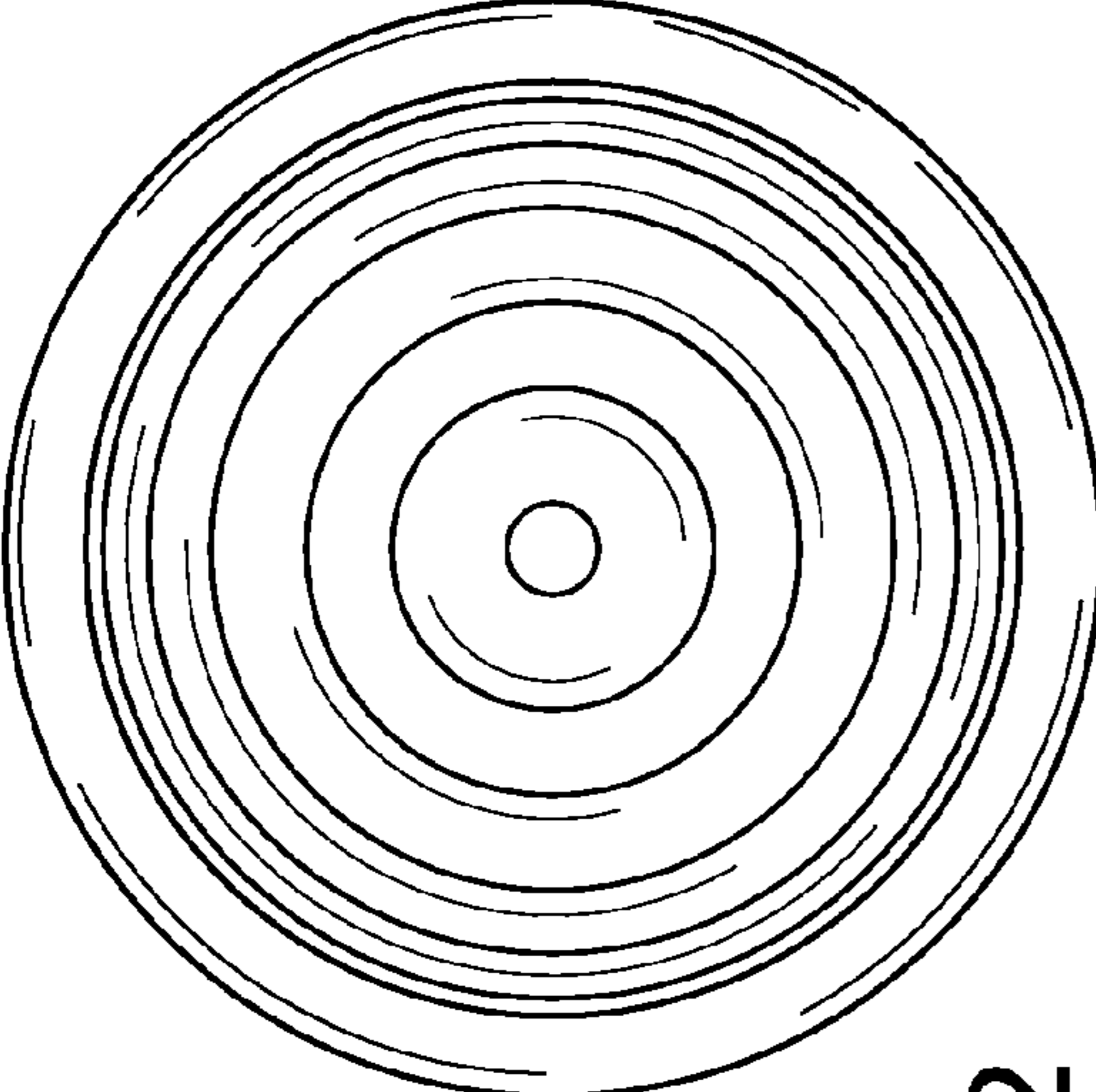


FIG. 2

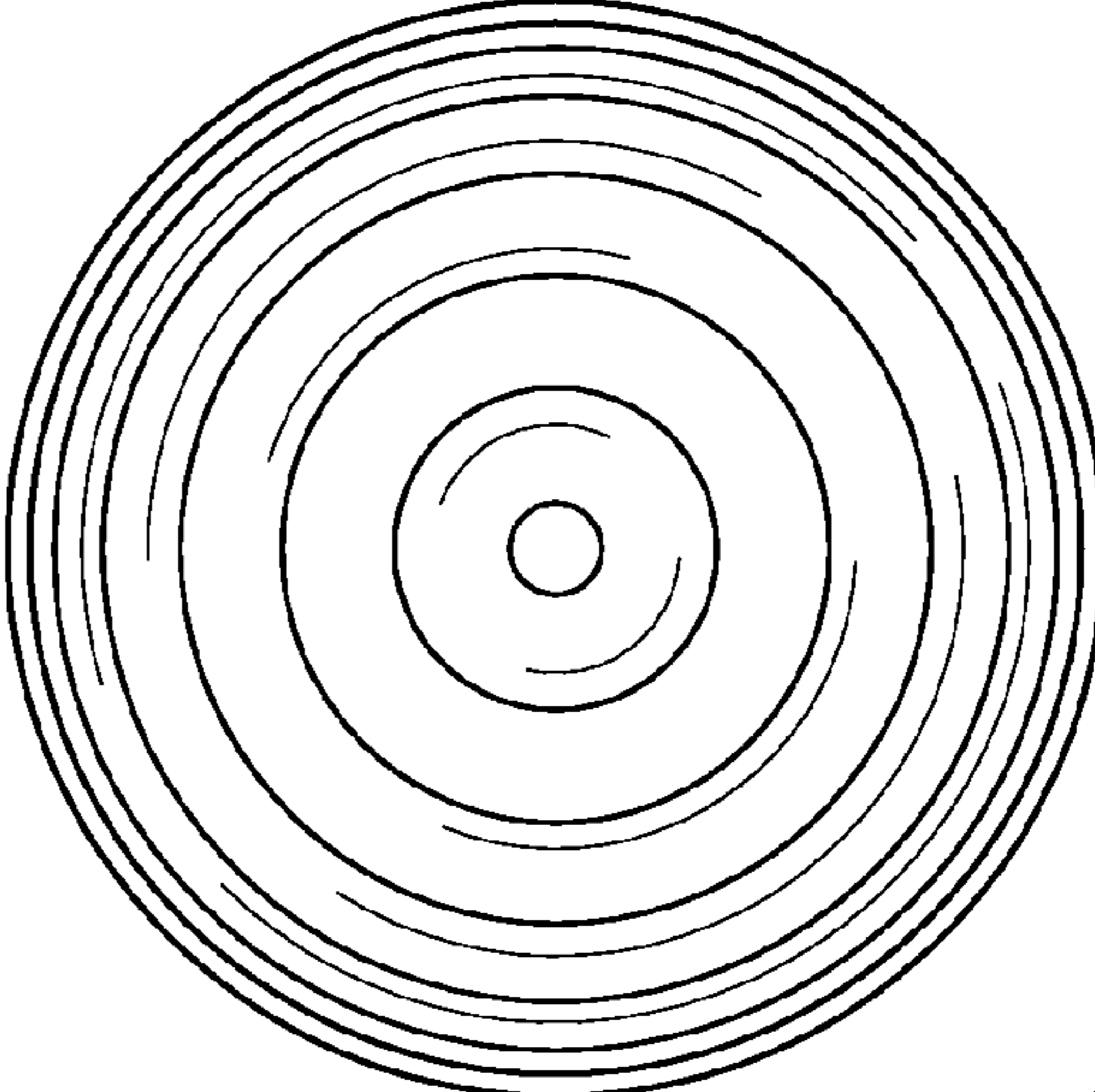


FIG. 3

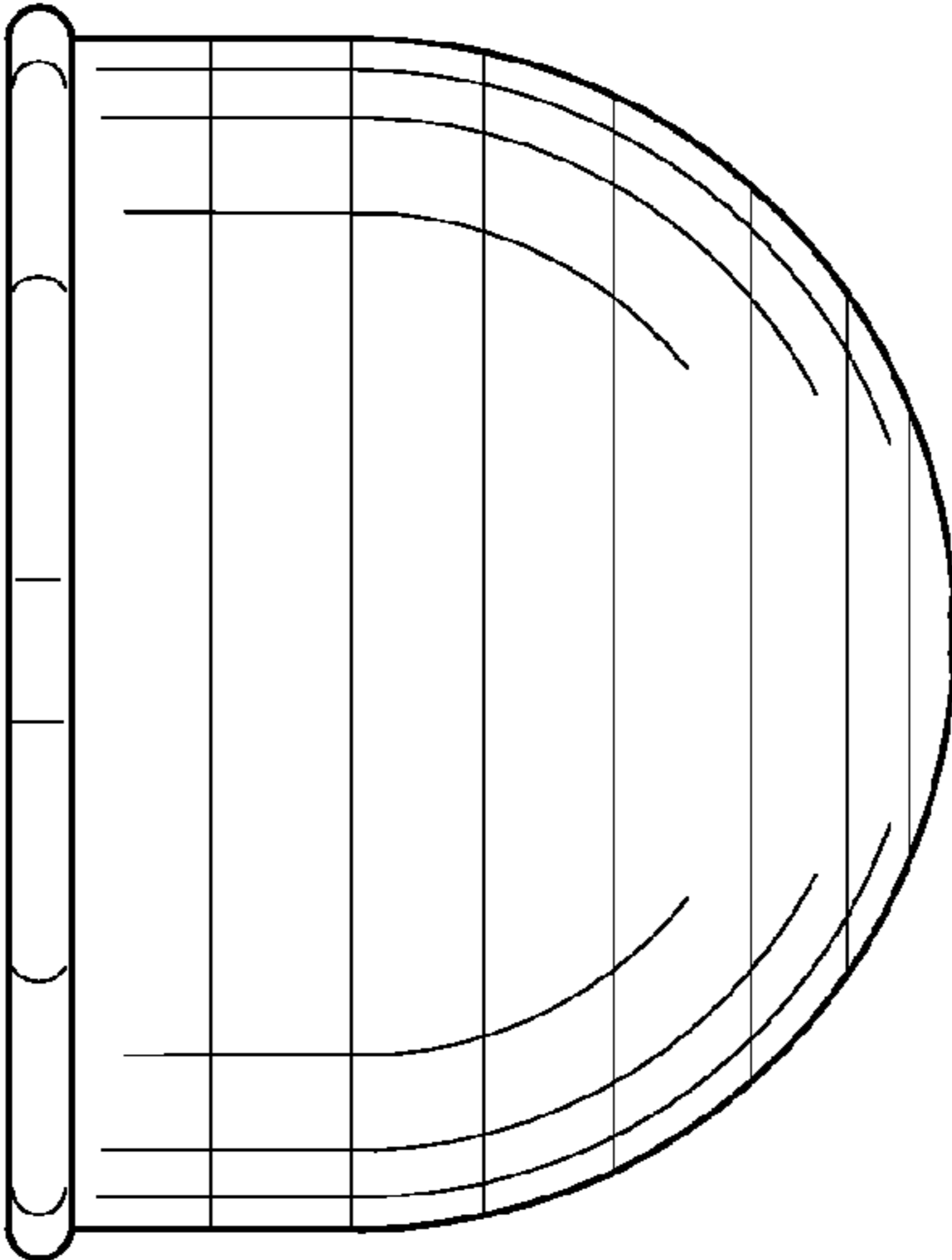


FIG. 1

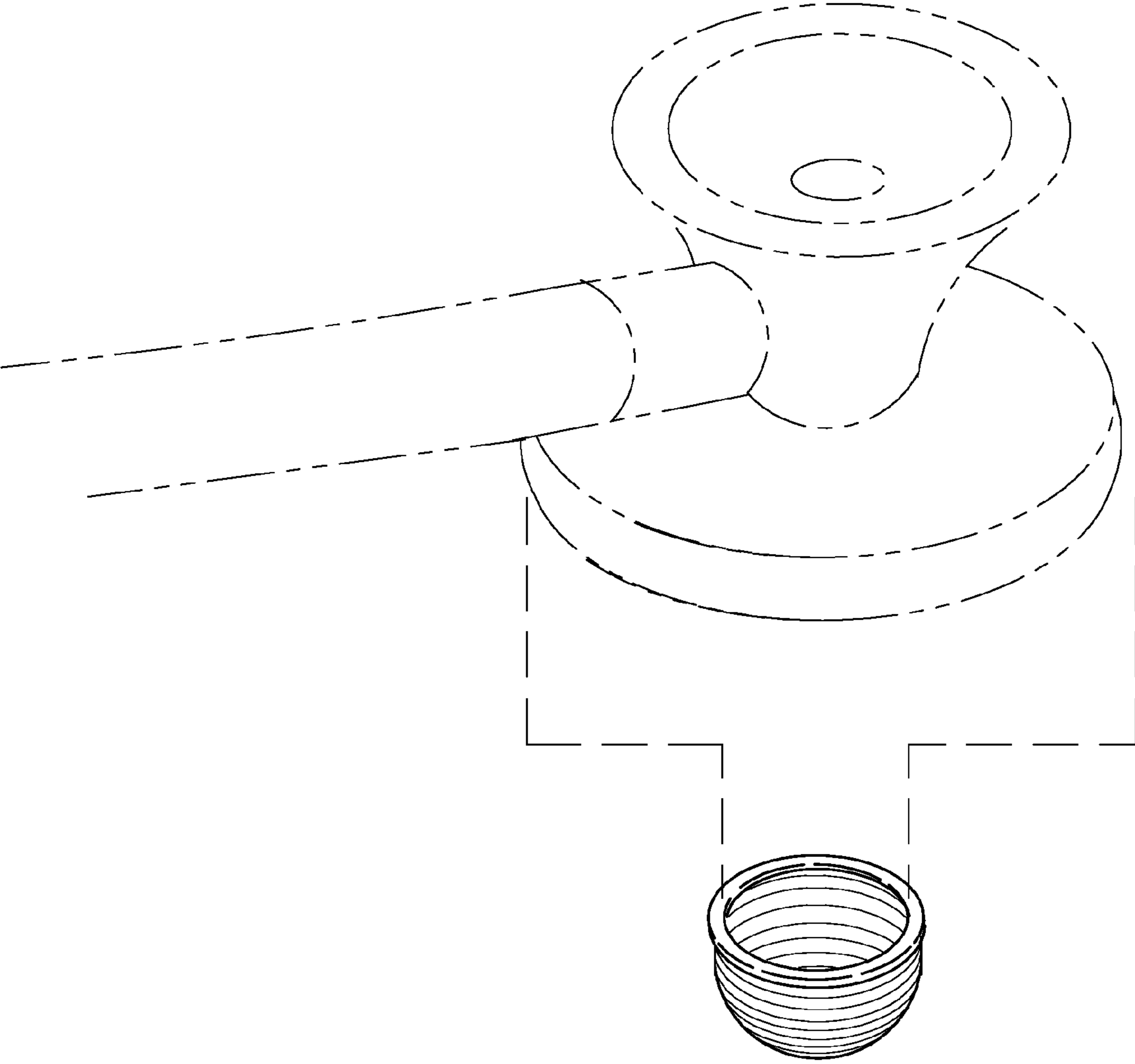


FIG. 4