



US00D613860S

(12) **United States Design Patent**  
**Bierman et al.**

(10) **Patent No.:** **US D613,860 S**  
(45) **Date of Patent:** **\*\* Apr. 13, 2010**

(54) **CATHETER SECUREMENT DEVICE**

(75) Inventors: **Steven F. Bierman**, Del Mar, CA (US);  
**Richard A. Pluth**, San Diego, CA (US)

(73) Assignee: **Venetec International, Inc.**, Covington,  
GA (US)

(\*\*) Term: **14 Years**

(21) Appl. No.: **29/343,646**

(22) Filed: **Sep. 16, 2009**

**Related U.S. Application Data**

(63) Continuation of application No. 12/063,224, filed as  
application No. PCT/US06/32846 on Aug. 22, 2006.

(51) **LOC (9) Cl.** ..... **24-02**

(52) **U.S. Cl.** ..... **D24/130**

(58) **Field of Classification Search** ..... D24/127–130,  
D24/189; 604/179–180, 187, 227; 602/58–59;  
128/DIG. 26

See application file for complete search history.

(56) **References Cited**

**U.S. PATENT DOCUMENTS**

2004/0102736 A1\* 5/2004 Bierman ..... 604/180  
2005/0131351 A1\* 6/2005 Bierman ..... 604/174  
2006/0184129 A1\* 8/2006 Bierman ..... 604/180  
2006/0264836 A1\* 11/2006 Bierman ..... 604/180

2008/0027394 A1\* 1/2008 Bierman ..... 604/180  
2009/0036835 A1\* 2/2009 Bierman ..... 604/174  
2009/0137962 A1\* 5/2009 Bracken et al. .... 604/179  
2009/0143740 A1\* 6/2009 Bierman et al. .... 604/177

\* cited by examiner

*Primary Examiner*—T. Chase Nelson

*Assistant Examiner*—Eric L Goodman

(74) *Attorney, Agent, or Firm*—Knobbe, Martens, Olson &  
Bear LLP

(57) **CLAIM**

The ornamental design for a catheter securement device, as  
shown and described.

**DESCRIPTION**

FIG. 1 is a perspective view of a catheter securement device  
configured in accordance with the present invention;

FIG. 2 is a top view thereof;

FIG. 3 is a bottom view thereof;

FIG. 4 is a rear view thereof;

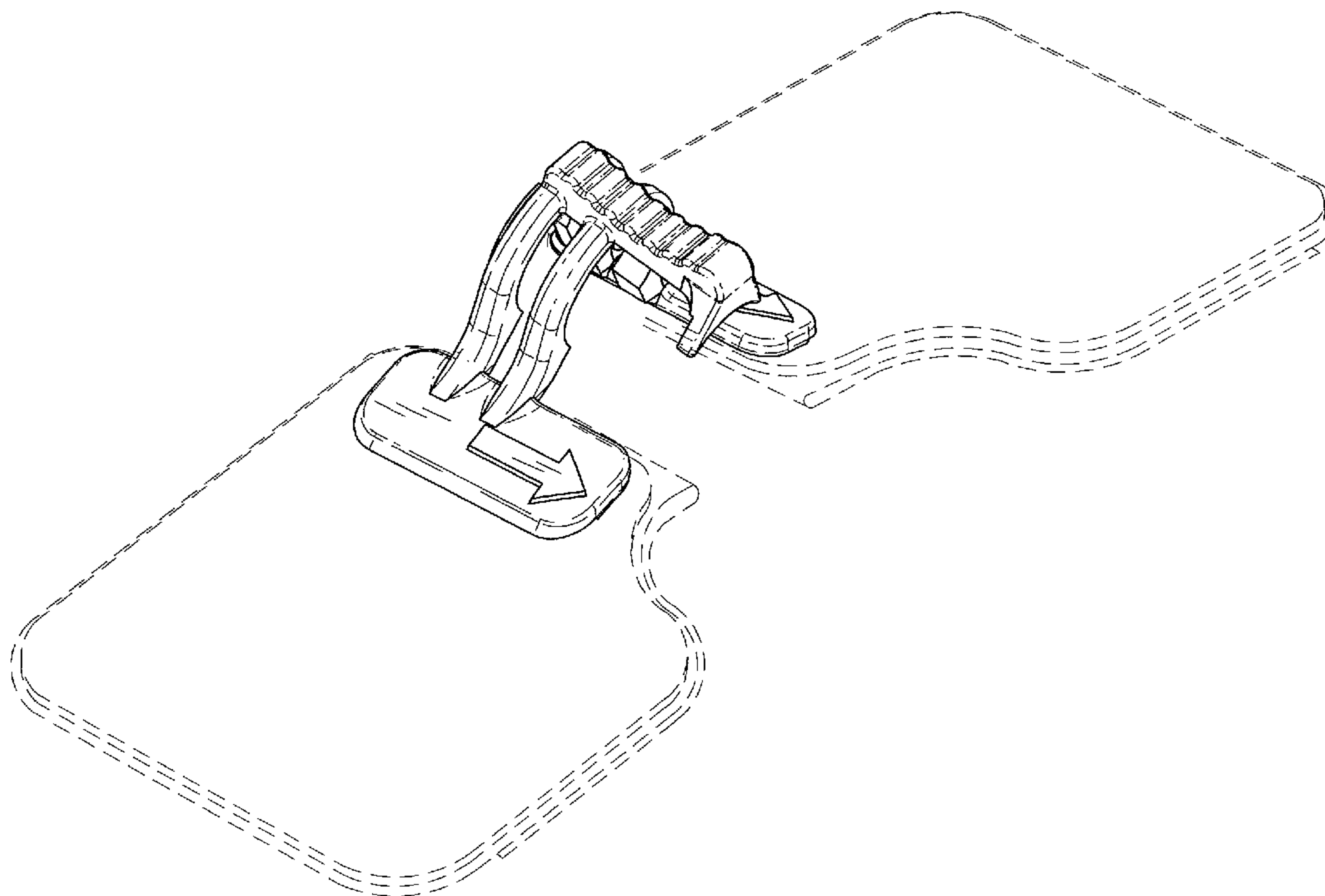
FIG. 5 is a front view thereof;

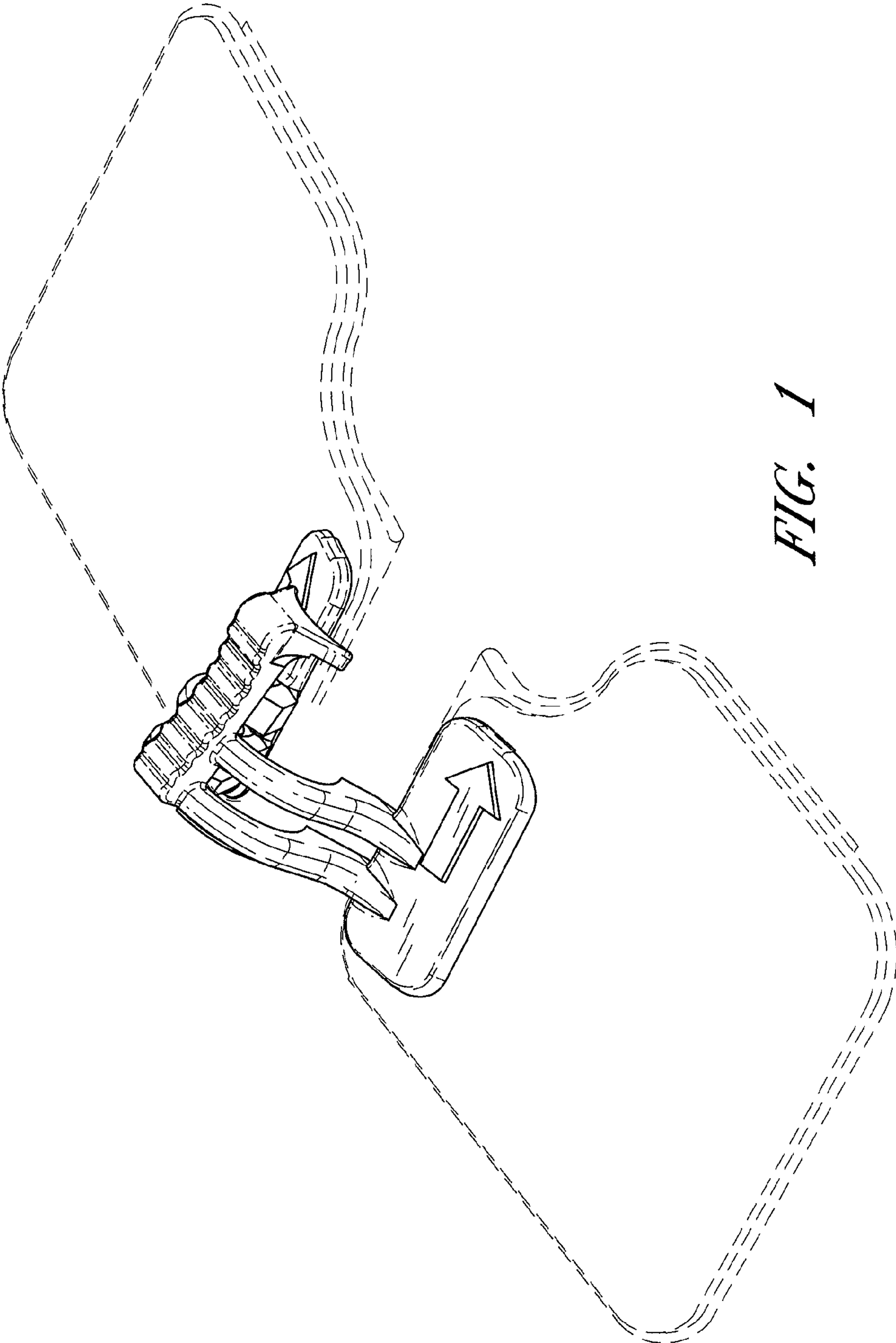
FIG. 6 is a left side view thereof; and,

FIG. 7 is a right side view thereof.

The broken line showing is included for the purpose of illus-  
trating portions of the article and forms no part of the claimed  
design.

**1 Claim, 5 Drawing Sheets**





*FIG. 1*

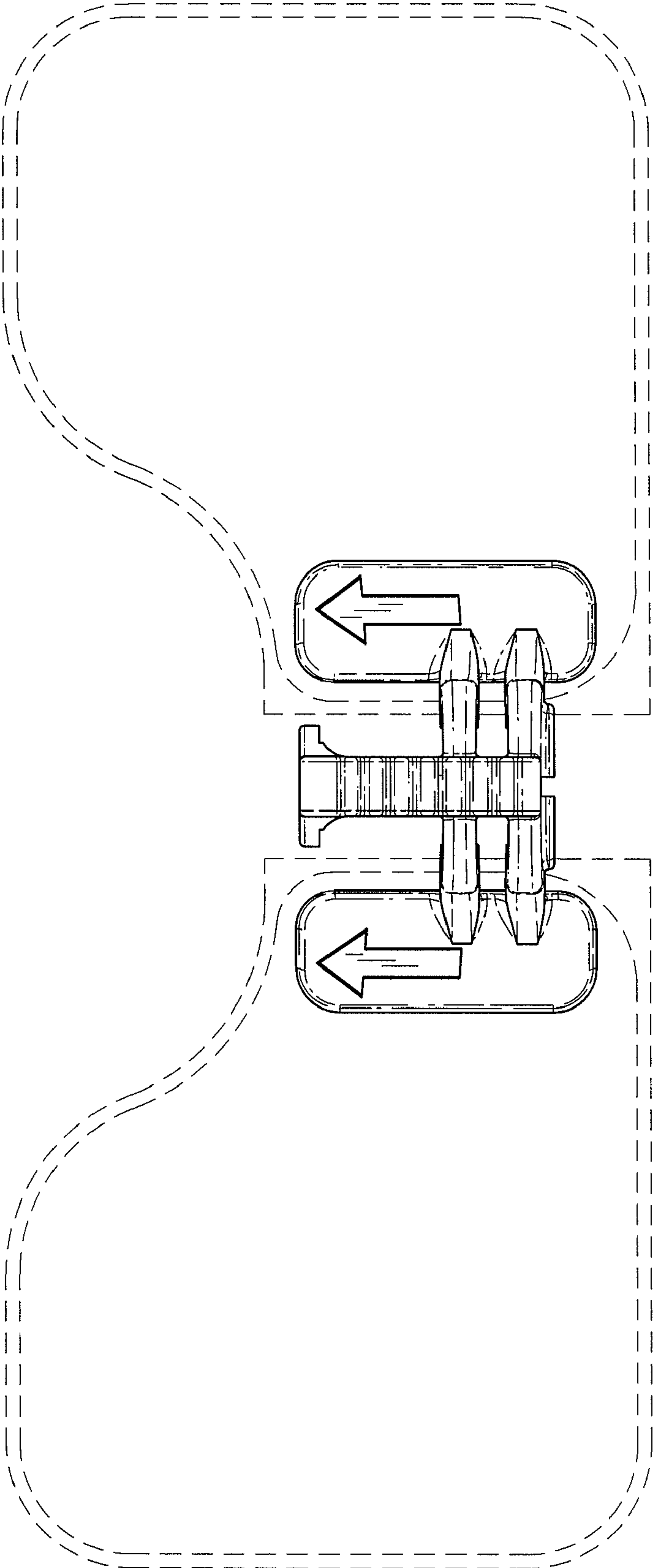
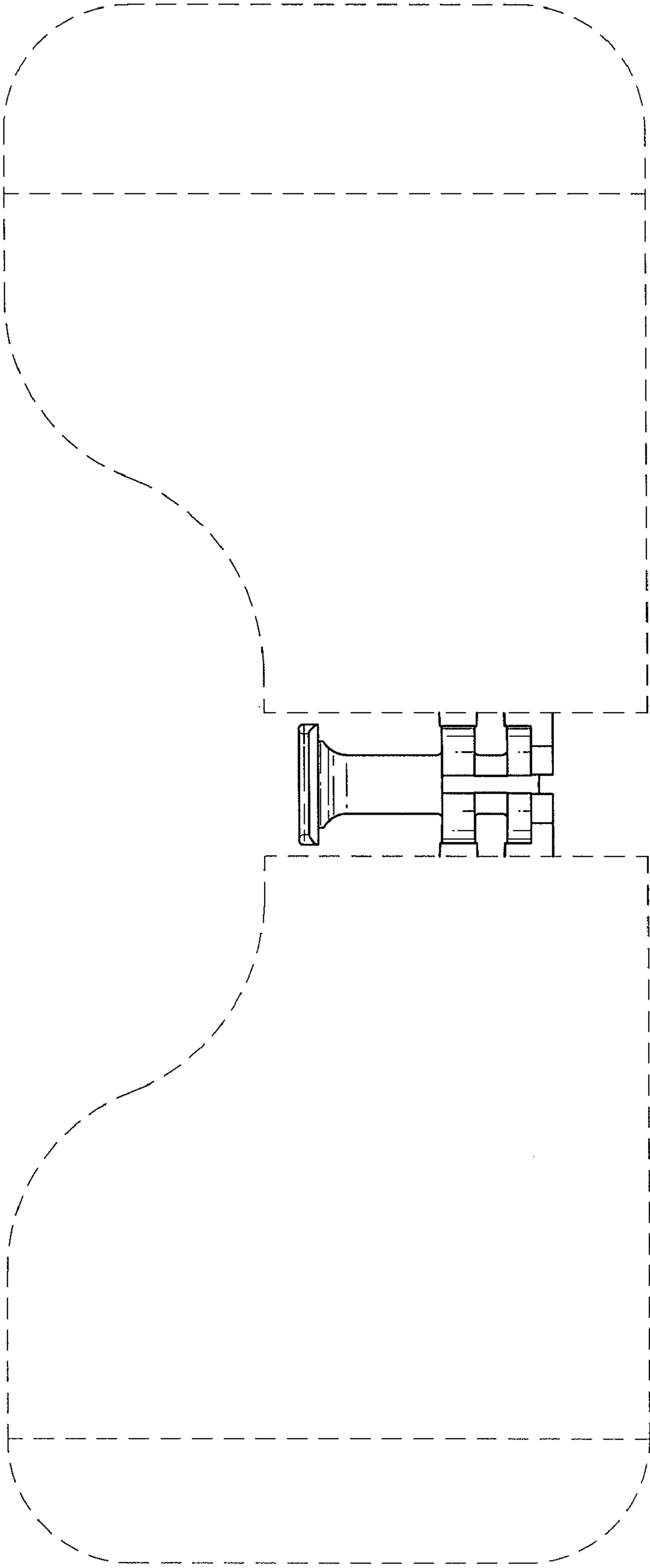
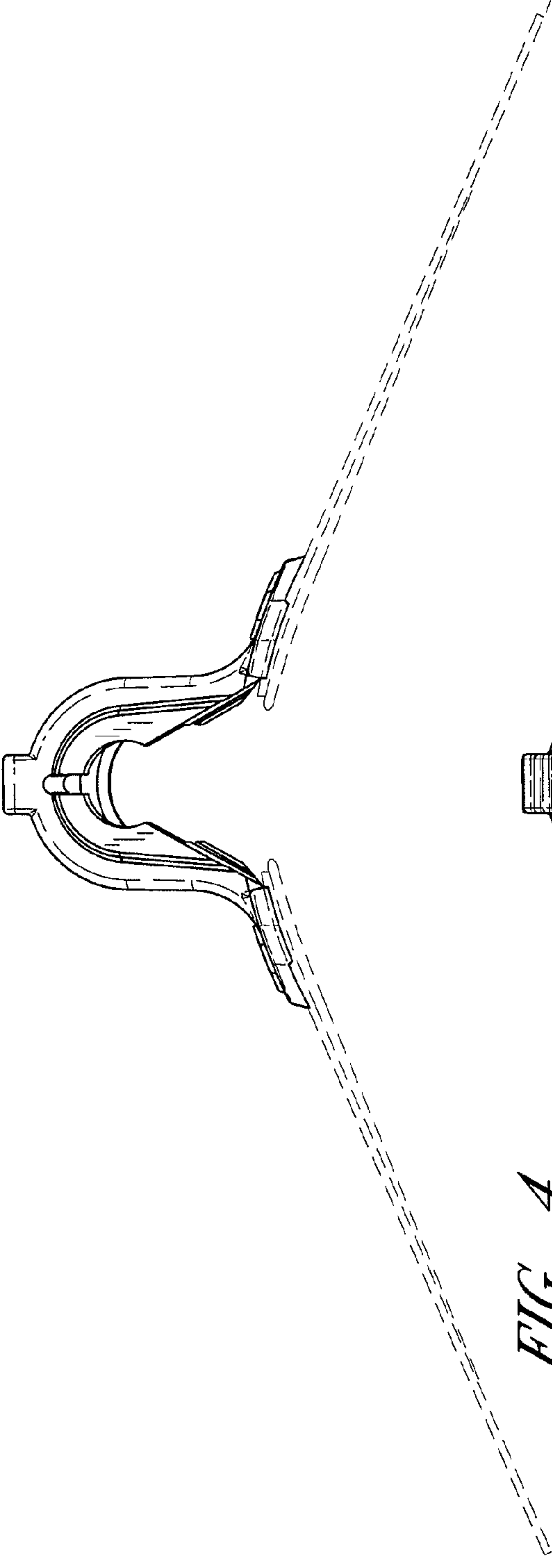


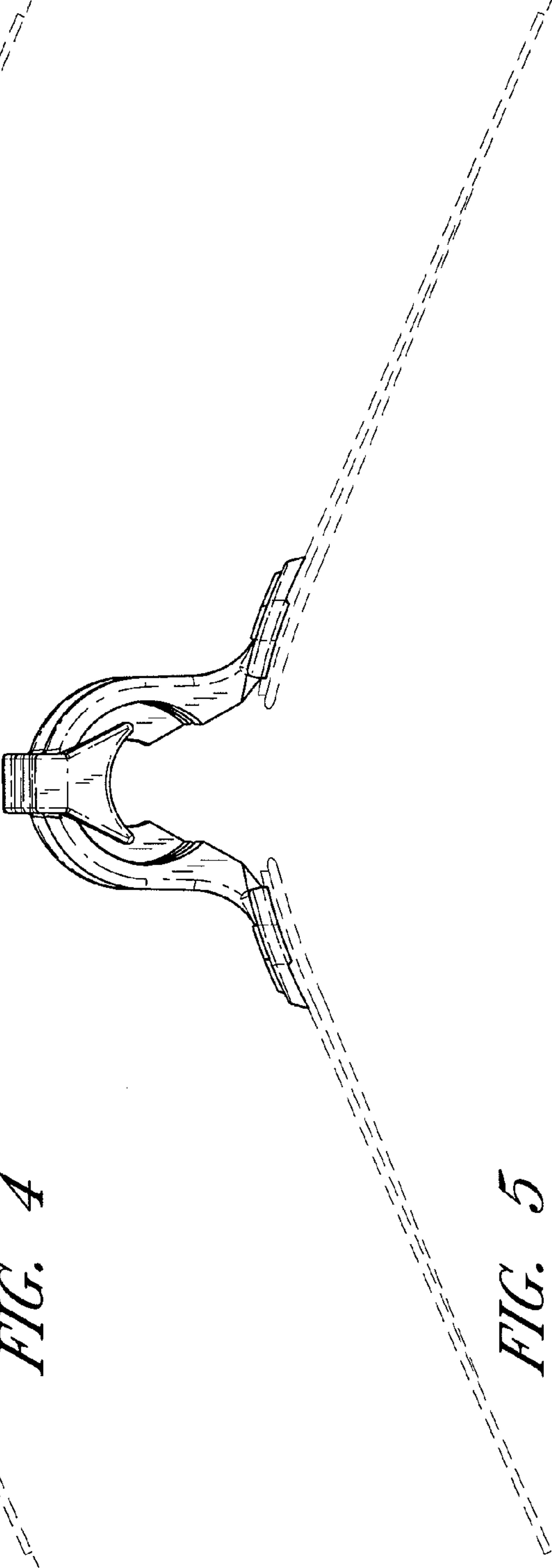
FIG. 2



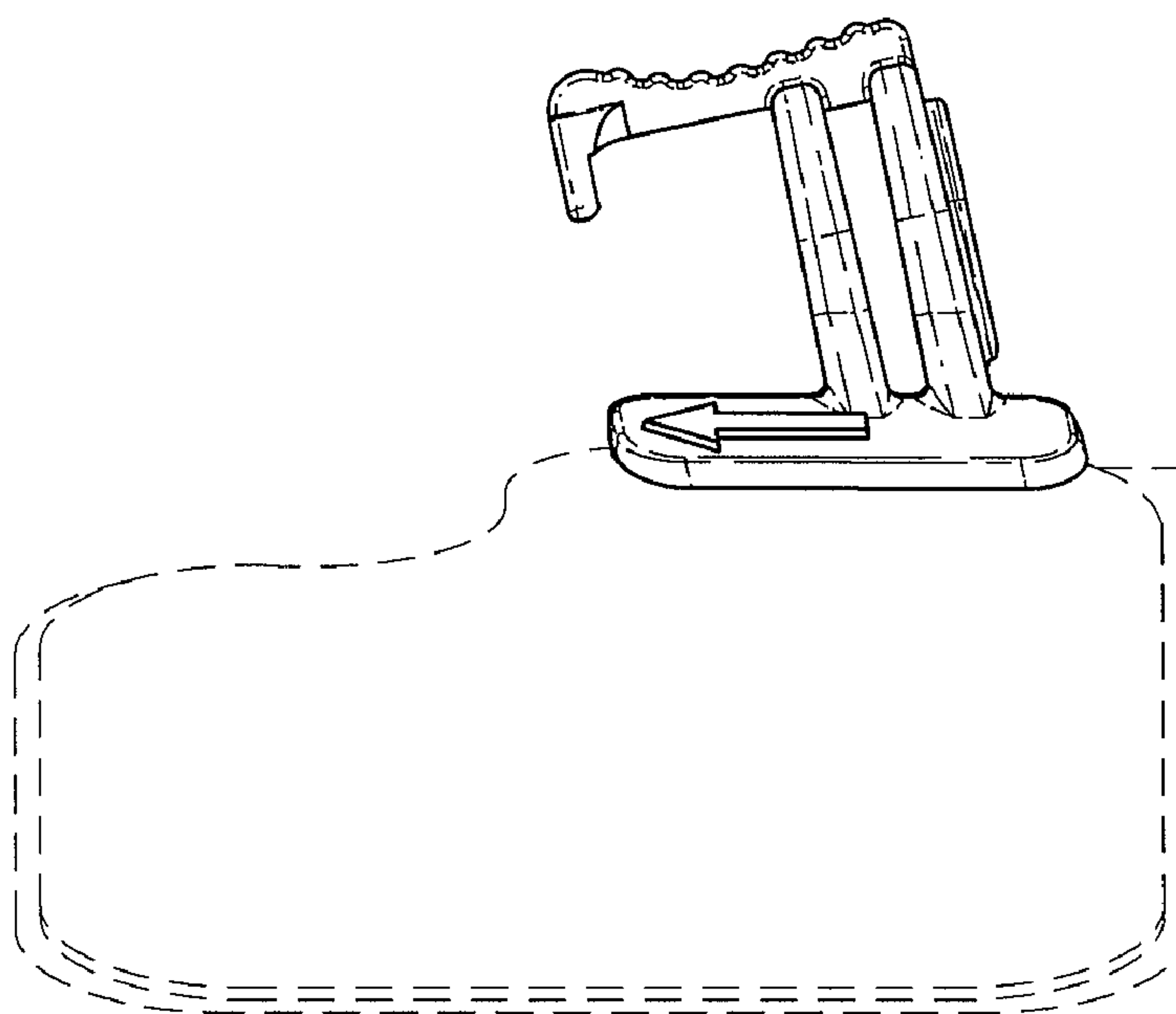
*FIG. 3*



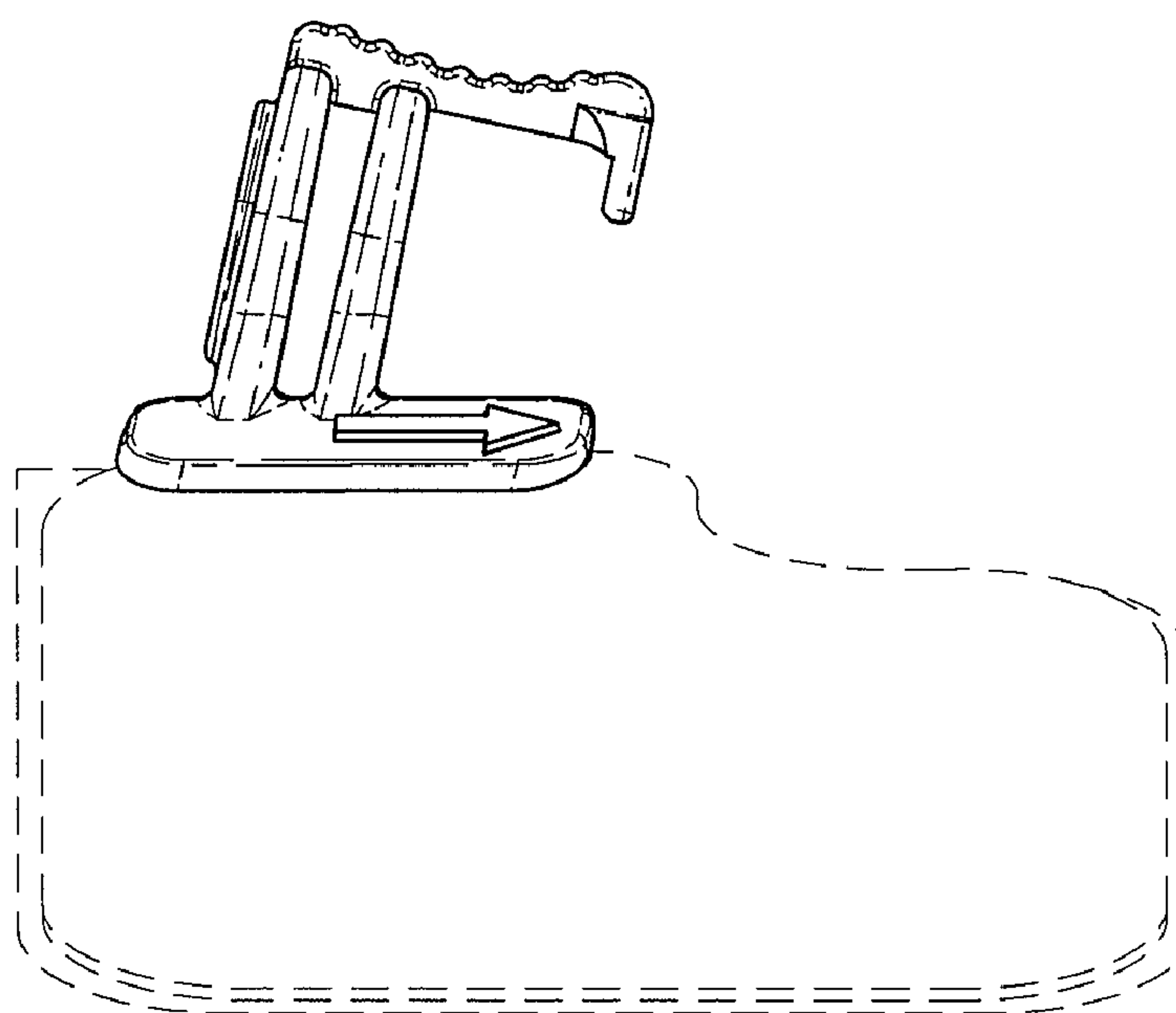
*FIG. 4*



*FIG. 5*



*FIG. 6*



*FIG. 7*