



US00D613859S

(12) **United States Design Patent**
Bierman

(10) **Patent No.:** **US D613,859 S**

(45) **Date of Patent:** **** Apr. 13, 2010**

(54) **CATHETER RETAINER**

(75) Inventor: **Steven F. Bierman**, Del Mar, CA (US)

(73) Assignee: **Venetec International, Inc.**, Covington, GA (US)

(**) Term: **14 Years**

(21) Appl. No.: **29/343,645**

(22) Filed: **Sep. 16, 2009**

Related U.S. Application Data

(63) Continuation of application No. 11/442,701, filed on May 26, 2006.

(51) **LOC (9) Cl.** **24-02**

(52) **U.S. Cl.** **D24/130**

(58) **Field of Classification Search** D24/127-130, D24/189; 604/179-180, 187, 227; 602/58-59; 128/DIG. 26

See application file for complete search history.

(56) **References Cited**

U.S. PATENT DOCUMENTS

| | | | | | |
|--------------|------|---------|---------|-------|---------|
| 2004/0102736 | A1 * | 5/2004 | Bierman | | 604/180 |
| 2005/0131351 | A1 * | 6/2005 | Bierman | | 604/174 |
| 2006/0184129 | A1 * | 8/2006 | Bierman | | 604/180 |
| 2006/0264836 | A1 * | 11/2006 | Bierman | | 604/180 |
| 2008/0027394 | A1 * | 1/2008 | Bierman | | 604/180 |

| | | | | | |
|--------------|------|--------|----------------|-------|---------|
| 2009/0036835 | A1 * | 2/2009 | Bierman | | 604/174 |
| 2009/0137962 | A1 * | 5/2009 | Bracken et al. | | 604/179 |
| 2009/0143740 | A1 * | 6/2009 | Bierman et al. | | 604/177 |

* cited by examiner

Primary Examiner—T. Chase Nelson

Assistant Examiner—Eric L Goodman

(74) *Attorney, Agent, or Firm*—Knobbe, Martens, Olson & Bear LLP

(57) **CLAIM**

The ornamental design for a catheter retainer, as shown and described.

DESCRIPTION

FIG. 1 is a perspective view of a catheter retainer configured in accordance with the present invention;

FIG. 2 is a top view thereof;

FIG. 3 is a bottom view thereof;

FIG. 4 is a rear view thereof;

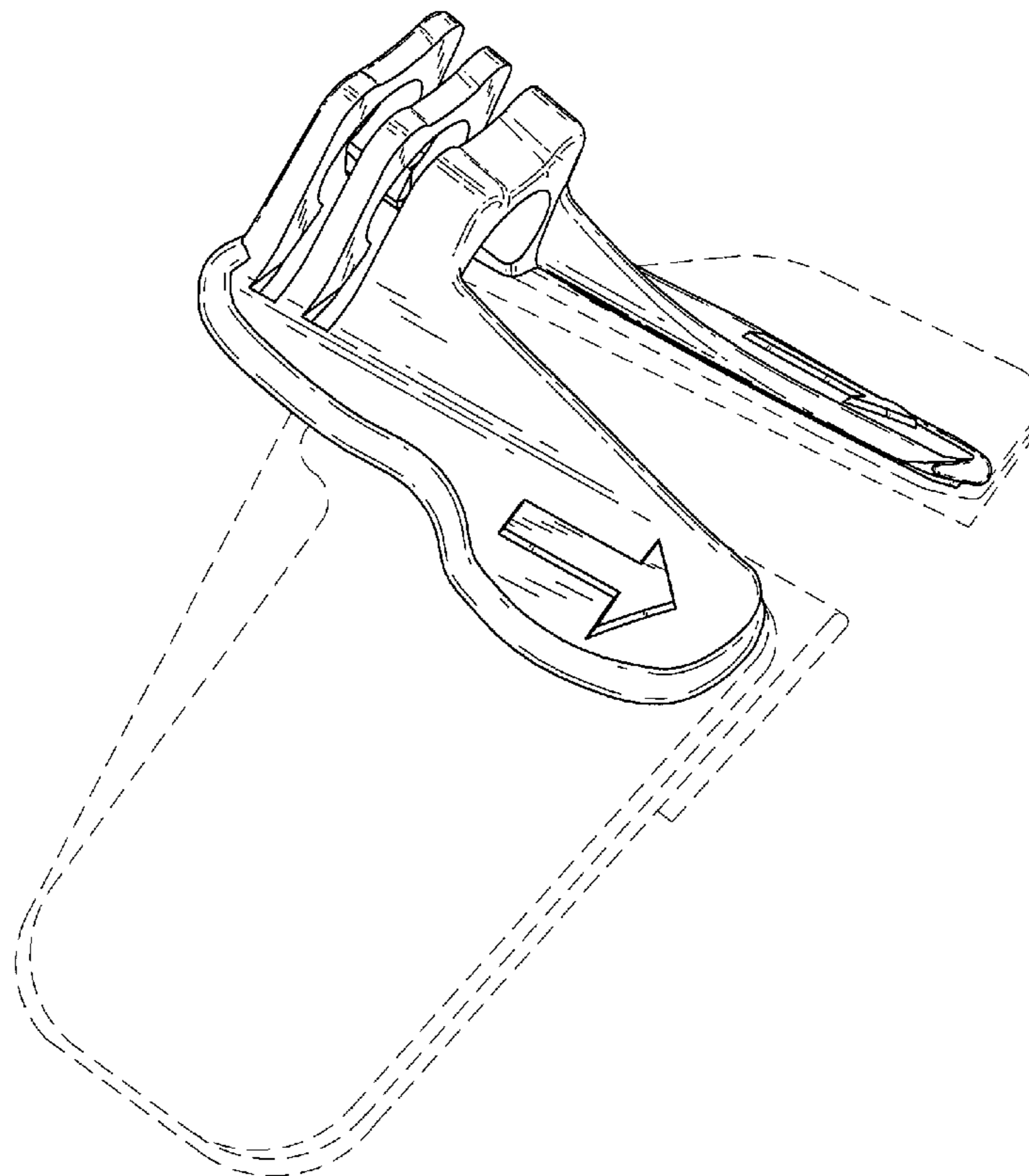
FIG. 5 is a front view thereof;

FIG. 6 is a right side view thereof; and,

FIG. 7 is a left side view thereof.

The broken line showing is included for the purpose of illustrating portions of the article that form no part of the claimed design.

1 Claim, 6 Drawing Sheets



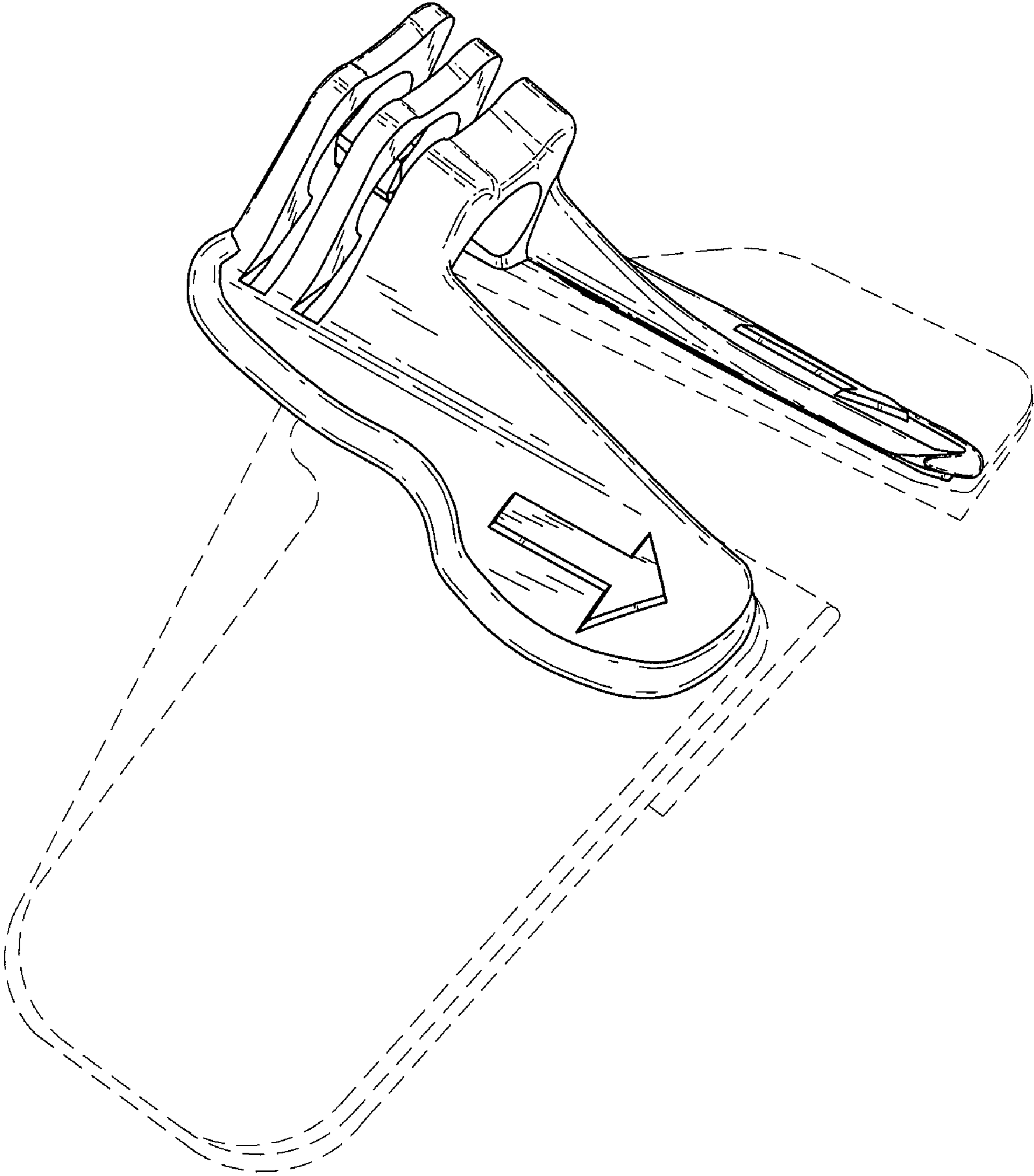


FIG. 1

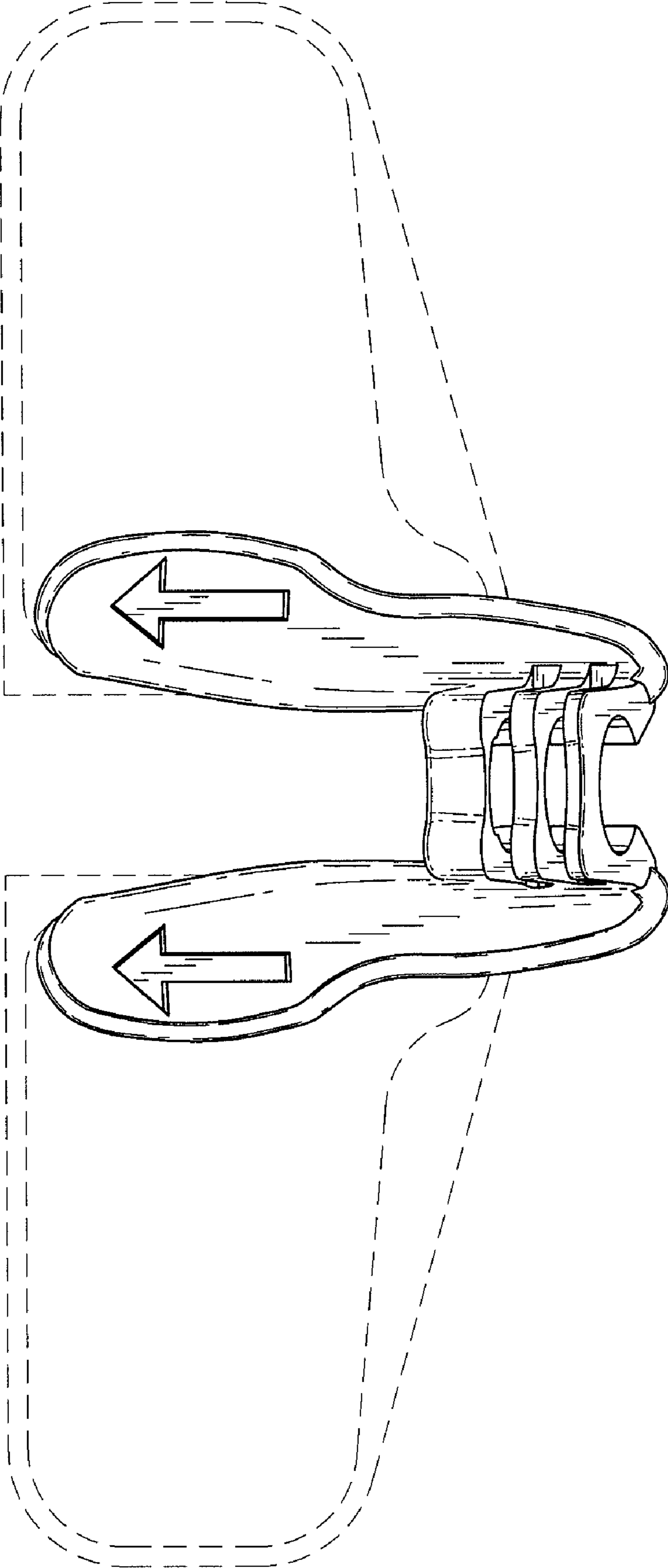


FIG. 2

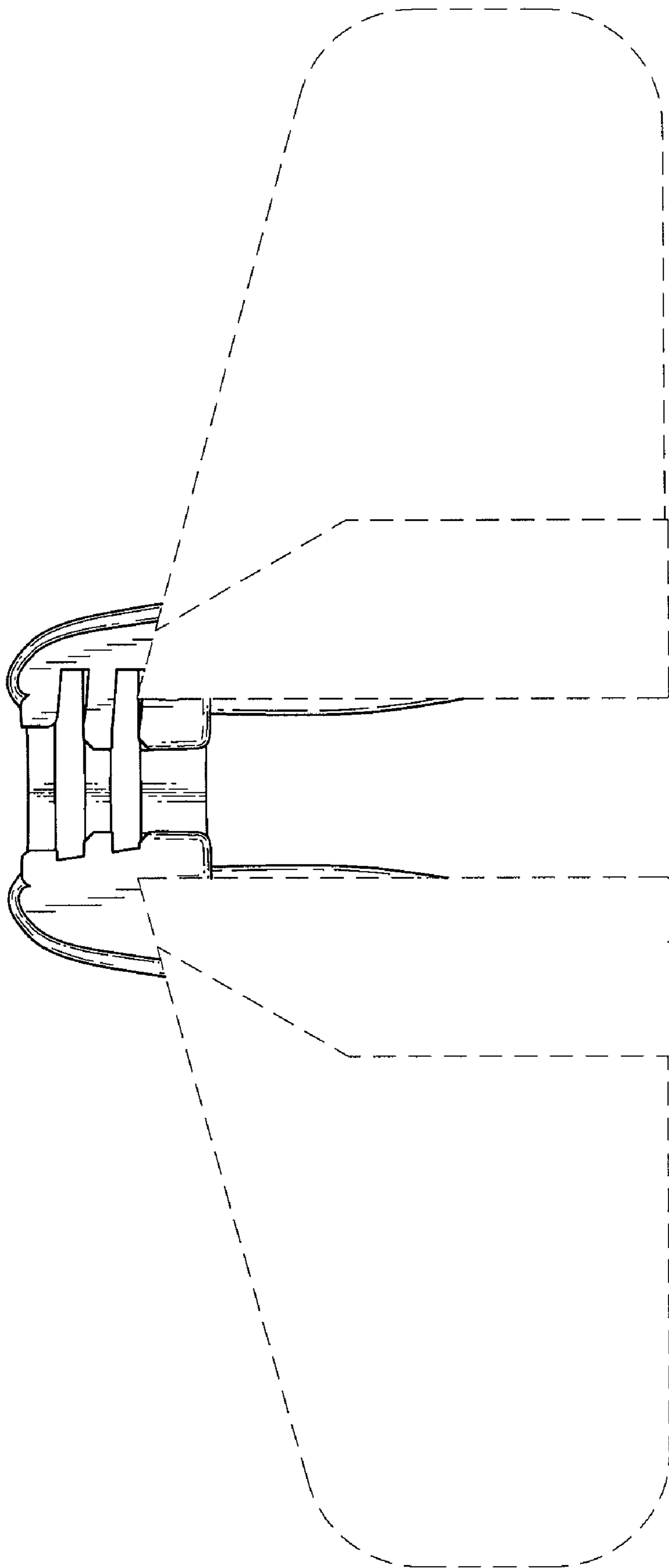


FIG. 3

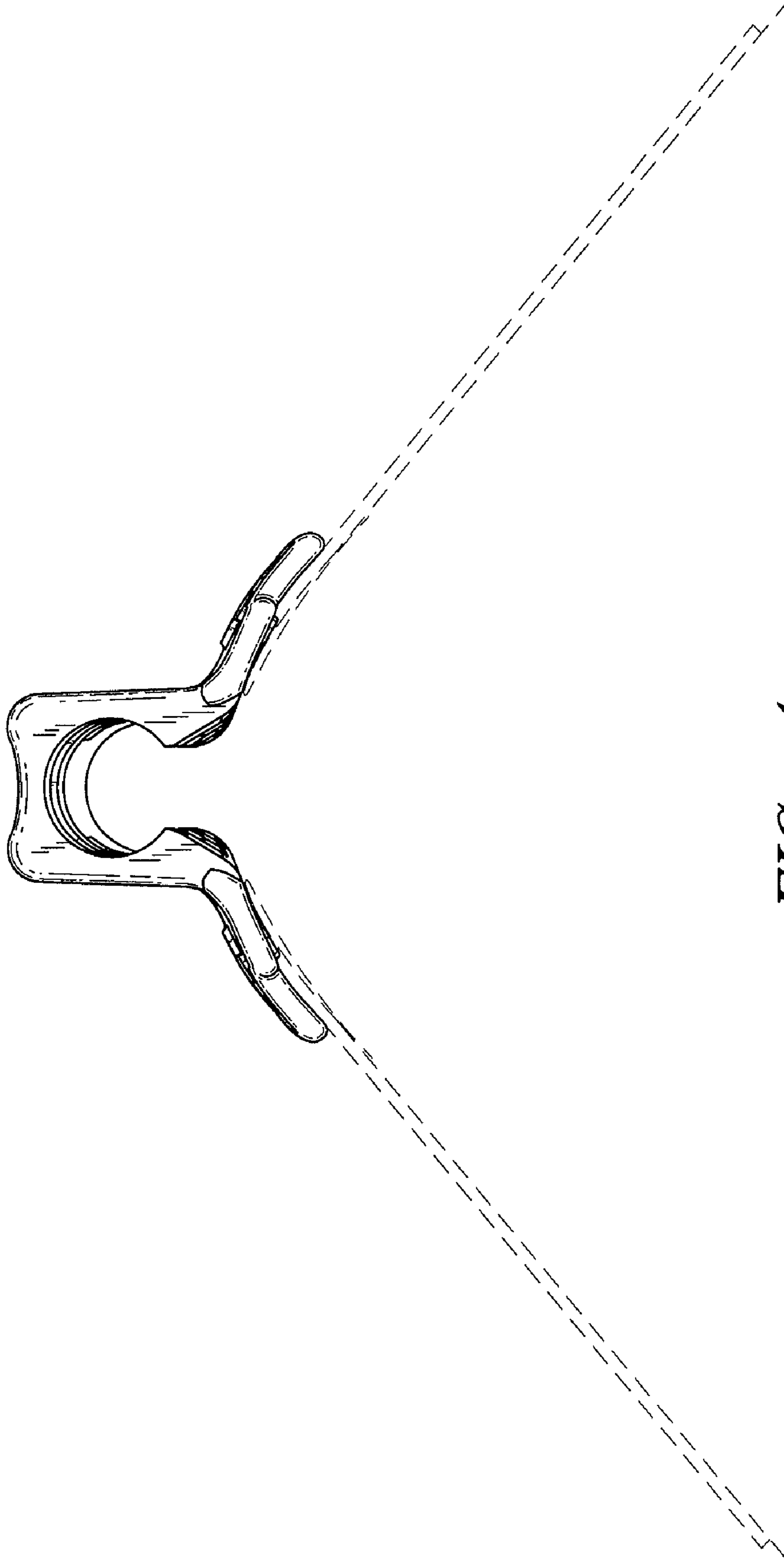


FIG. 4

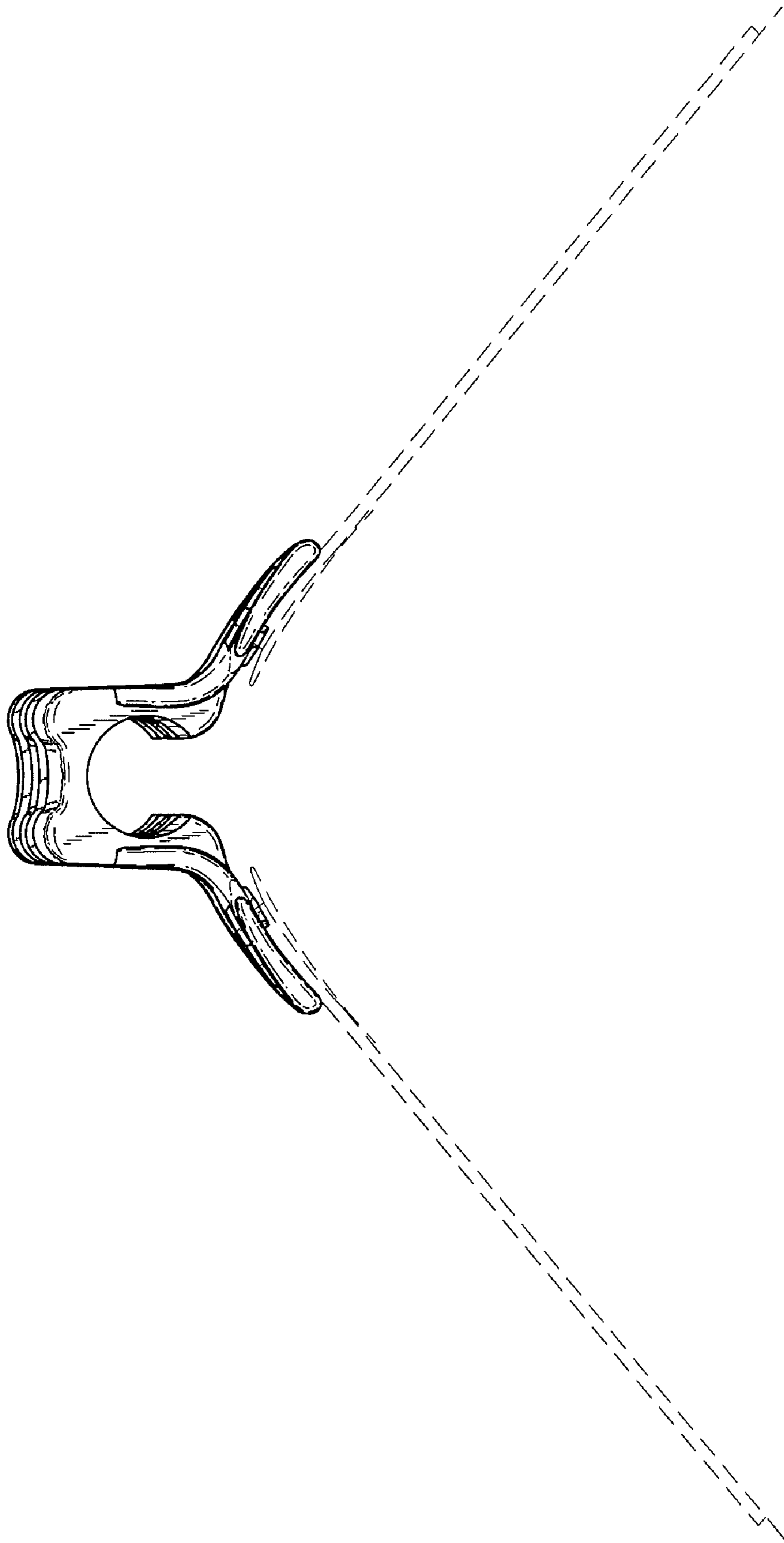


FIG. 5

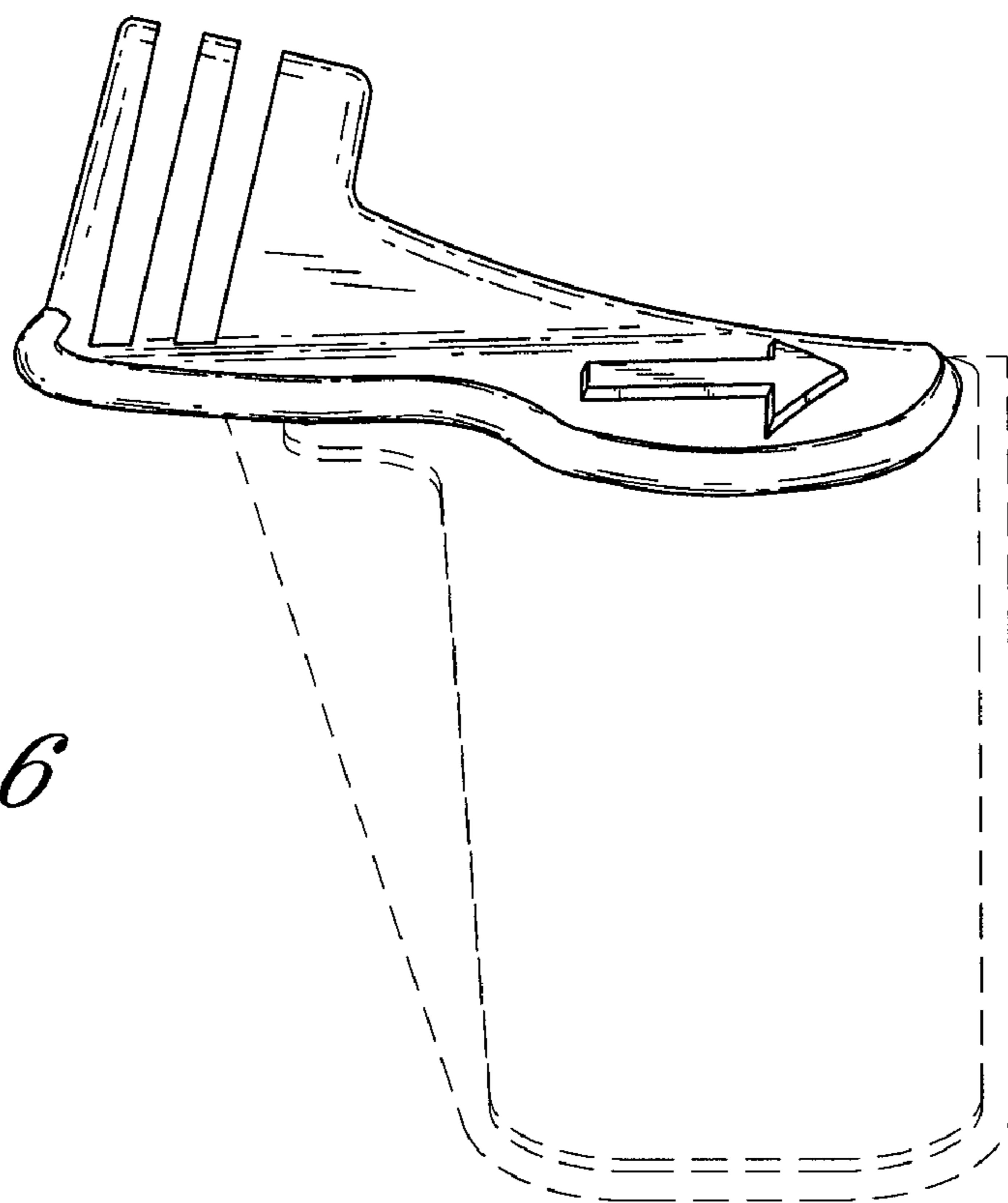


FIG. 6

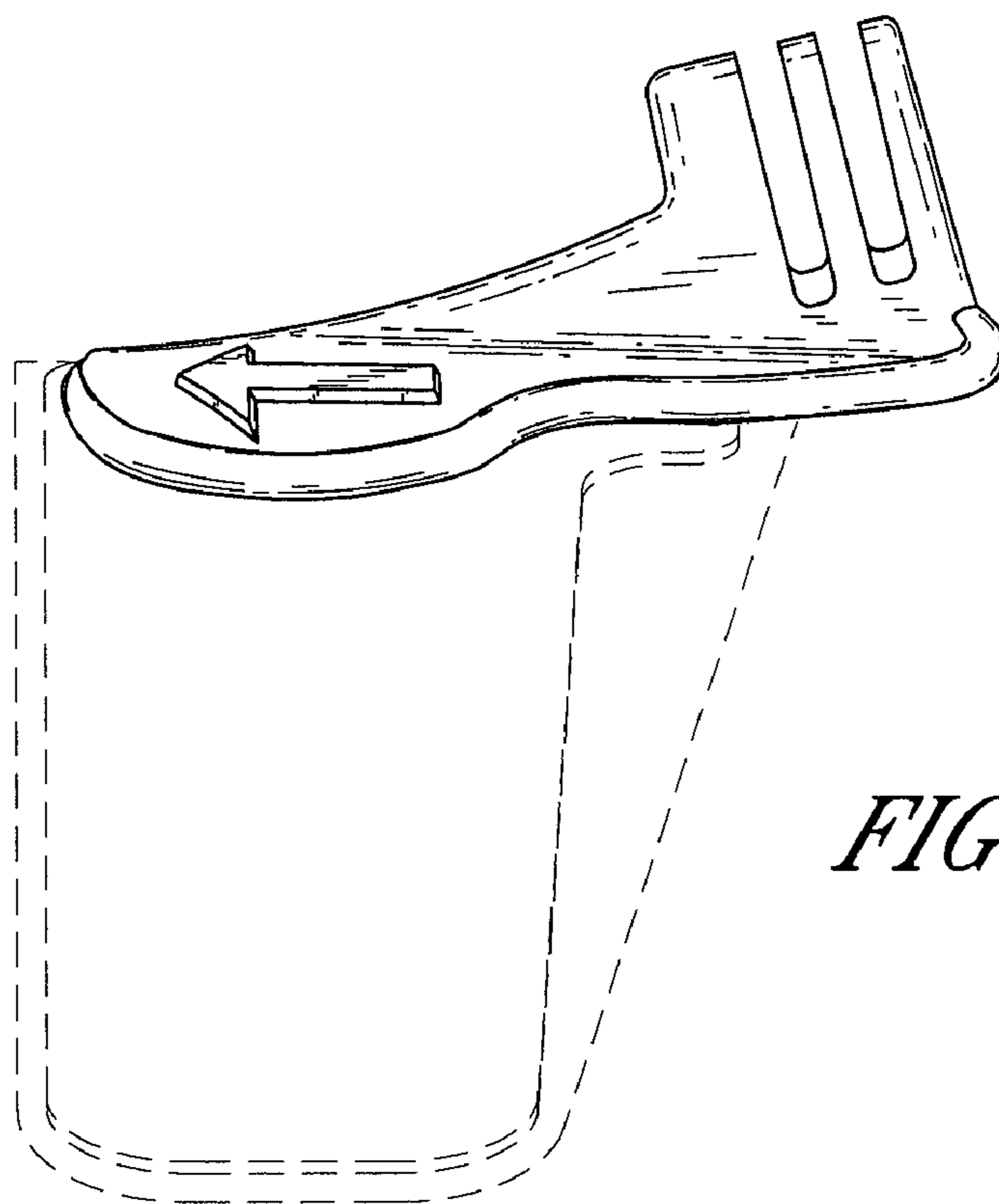


FIG. 7