



US00D613855S

(12) **United States Design Patent**
Pena

(10) **Patent No.:** **US D613,855 S**
(45) **Date of Patent:** **** Apr. 13, 2010**

- (54) **LEAK PROTECTOR FOR MEN**
- (76) Inventor: **Carlos Pena**, 8130 Jasbow Junction,
Brooksville, FL (US) 34613
- (**) Term: **14 Years**
- (21) Appl. No.: **29/324,634**
- (22) Filed: **Sep. 16, 2008**
- (51) **LOC (9) Cl.** **24-04**
- (52) **U.S. Cl.** **D24/124**
- (58) **Field of Classification Search** D24/124-126;
604/326, 327, 348-354, 355, 325, 328-347,
604/349, 350, 351, 352, 353, 356-402
See application file for complete search history.

- D473,304 S * 4/2003 Harriz et al. D24/125
- D491,264 S * 6/2004 Dorn D24/122
- 7,166,092 B2 * 1/2007 Elson et al. 604/352
- 2003/0023222 A1 1/2003 Chen
- 2008/0082072 A1 * 4/2008 Helmfridsson et al. . 604/385.19

* cited by examiner

Primary Examiner—T. Chase Nelson
Assistant Examiner—Michelle E Wilson
(74) *Attorney, Agent, or Firm*—Kyle Fletcher

(56) **References Cited**

U.S. PATENT DOCUMENTS

4,064,880	A	12/1977	Logan	
4,576,599	A	3/1986	Lipner	
4,601,716	A	7/1986	Smith	
4,971,074	A *	11/1990	Hrubetz	128/885
5,074,853	A	12/1991	Bryant	
5,643,235	A *	7/1997	Figuerido	604/352
5,695,485	A *	12/1997	Duperret et al.	604/349
5,827,250	A	10/1998	Fujioka et al.	
D412,031	S *	7/1999	Oscarsson	D24/125
6,336,919	B1	1/2002	Davis et al.	
6,338,729	B1 *	1/2002	Wada et al.	604/385.09
6,479,726	B1	11/2002	Cole	
D473,303	S *	4/2003	Harriz et al.	D24/125

(57) **CLAIM**

The ornamental design for the leak protector for men, as shown and described.

DESCRIPTION

FIG. 1 is a left view of the leak protector for men.

FIG. 2 is a right view of the claimed design.

FIG. 3 is a front view of the claimed design.

FIG. 4 is a rear view of the claimed design.

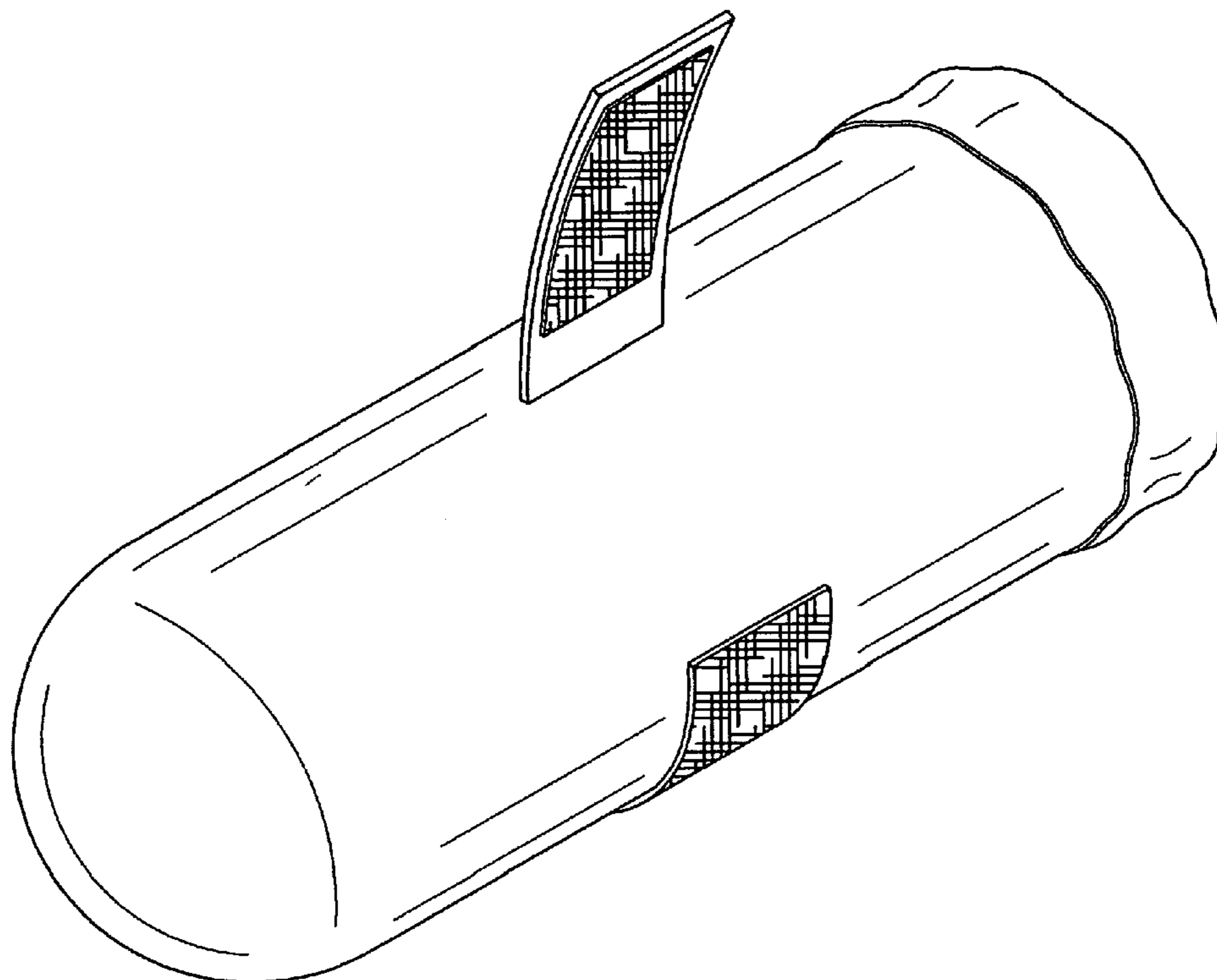
FIG. 5 is a top view of the claimed design.

FIG. 6 is a bottom view of the claimed design; and,

FIG. 7 is an isometric view of the claimed design.

The broken line showing in the inside of the leak protector for men in FIG. 4 is included for the purpose of illustrating environmental structure and forms no part of the claimed design.

1 Claim, 4 Drawing Sheets



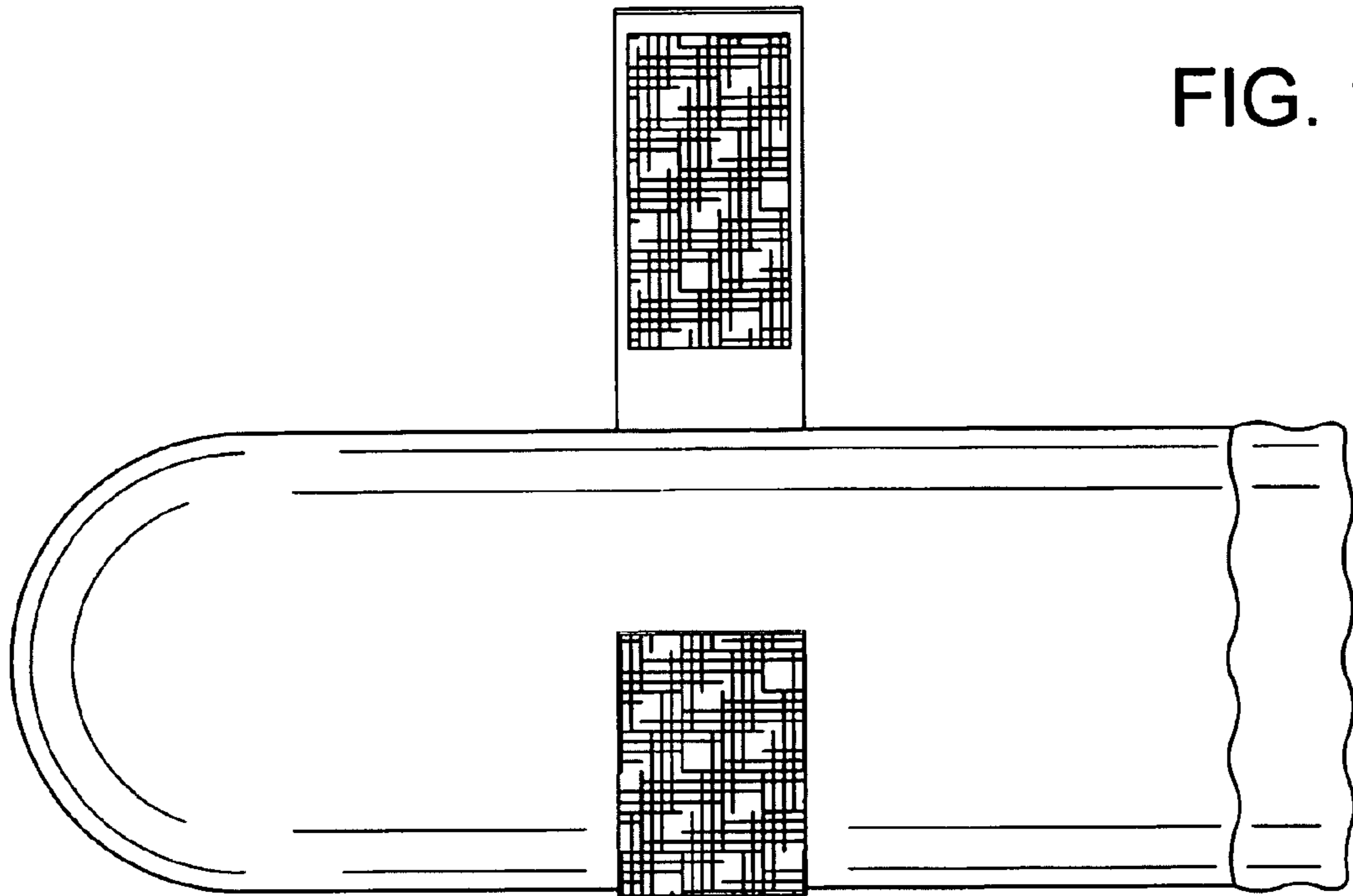


FIG. 1

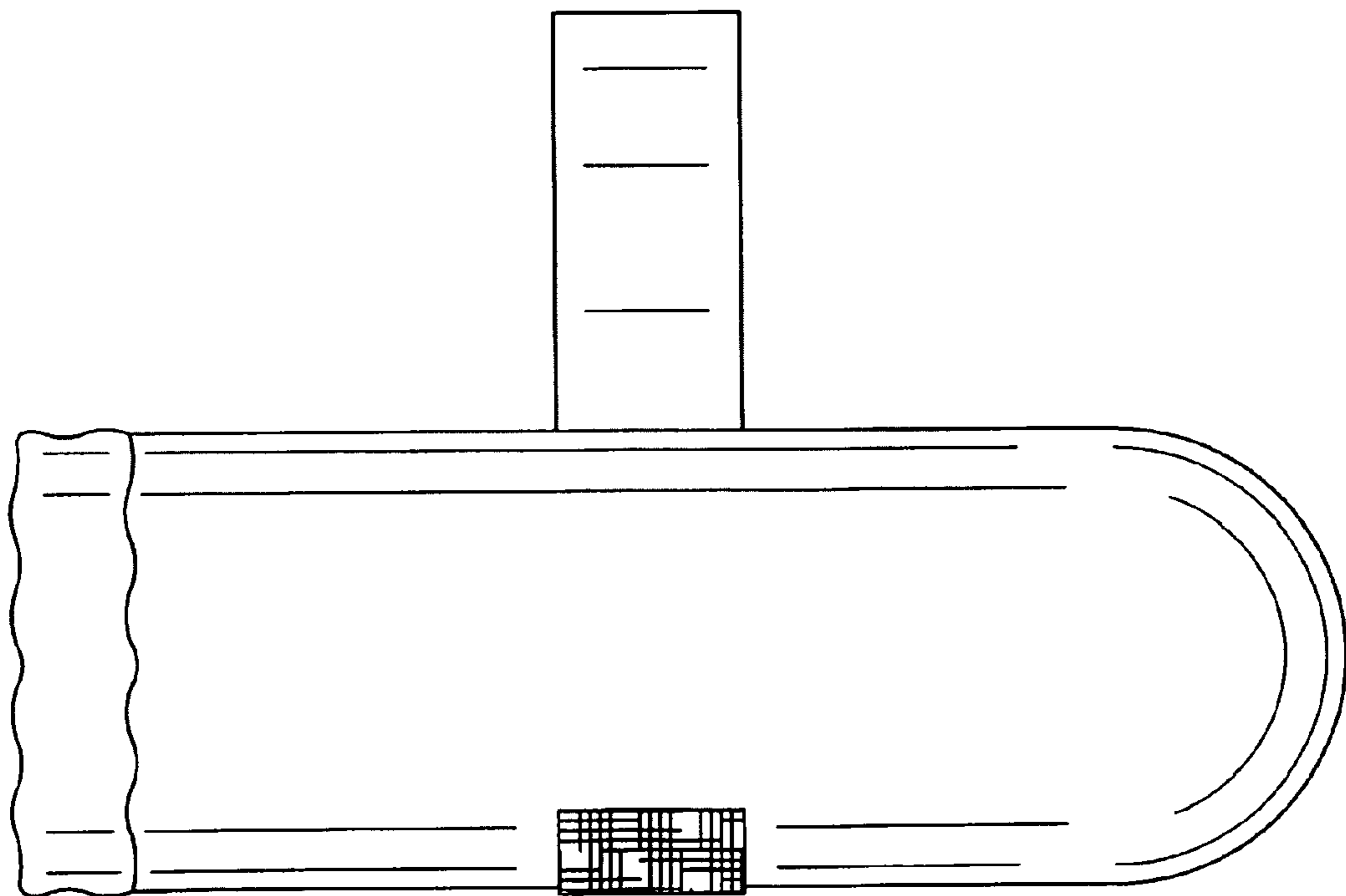


FIG. 2

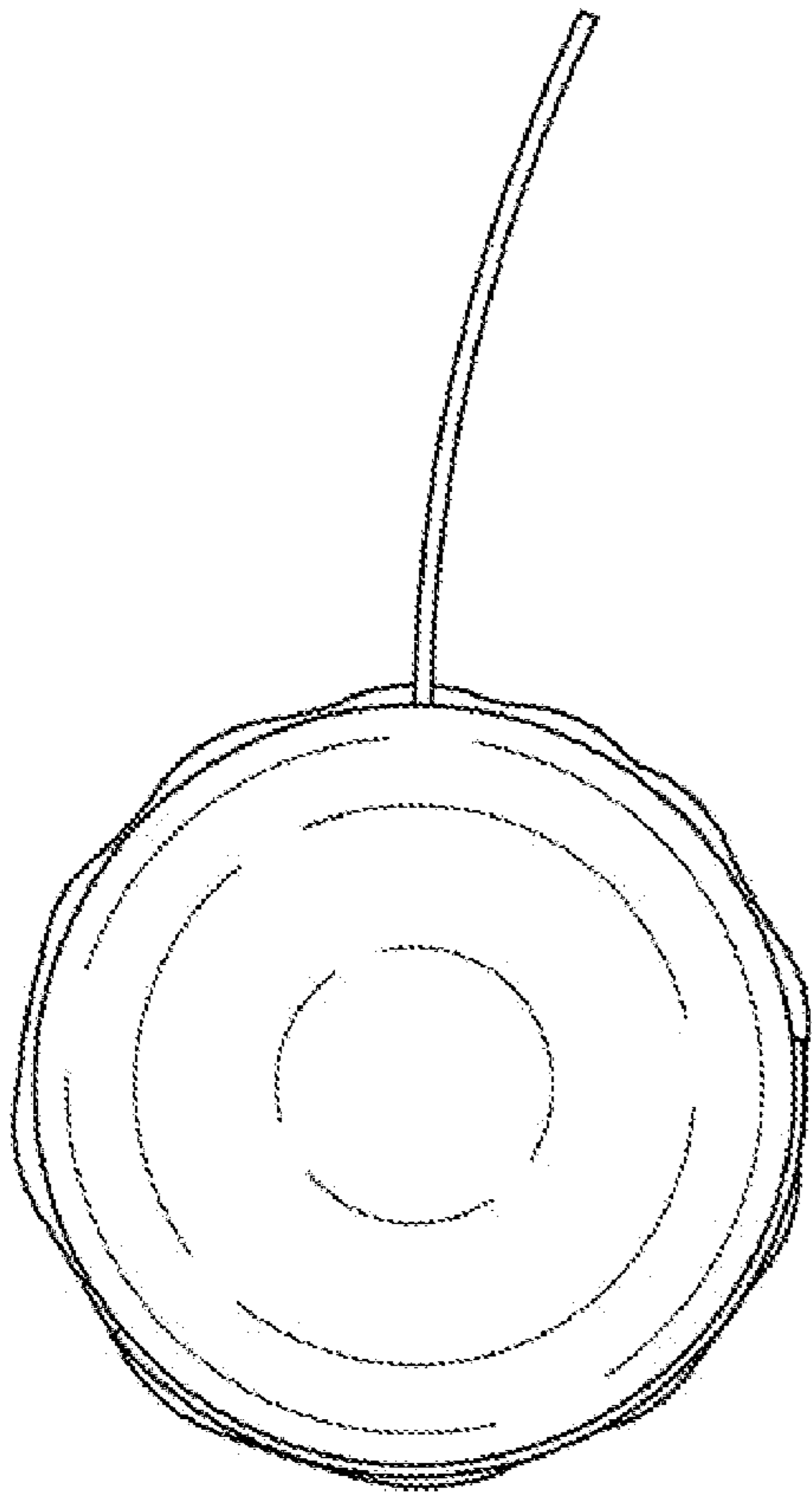


FIG. 3

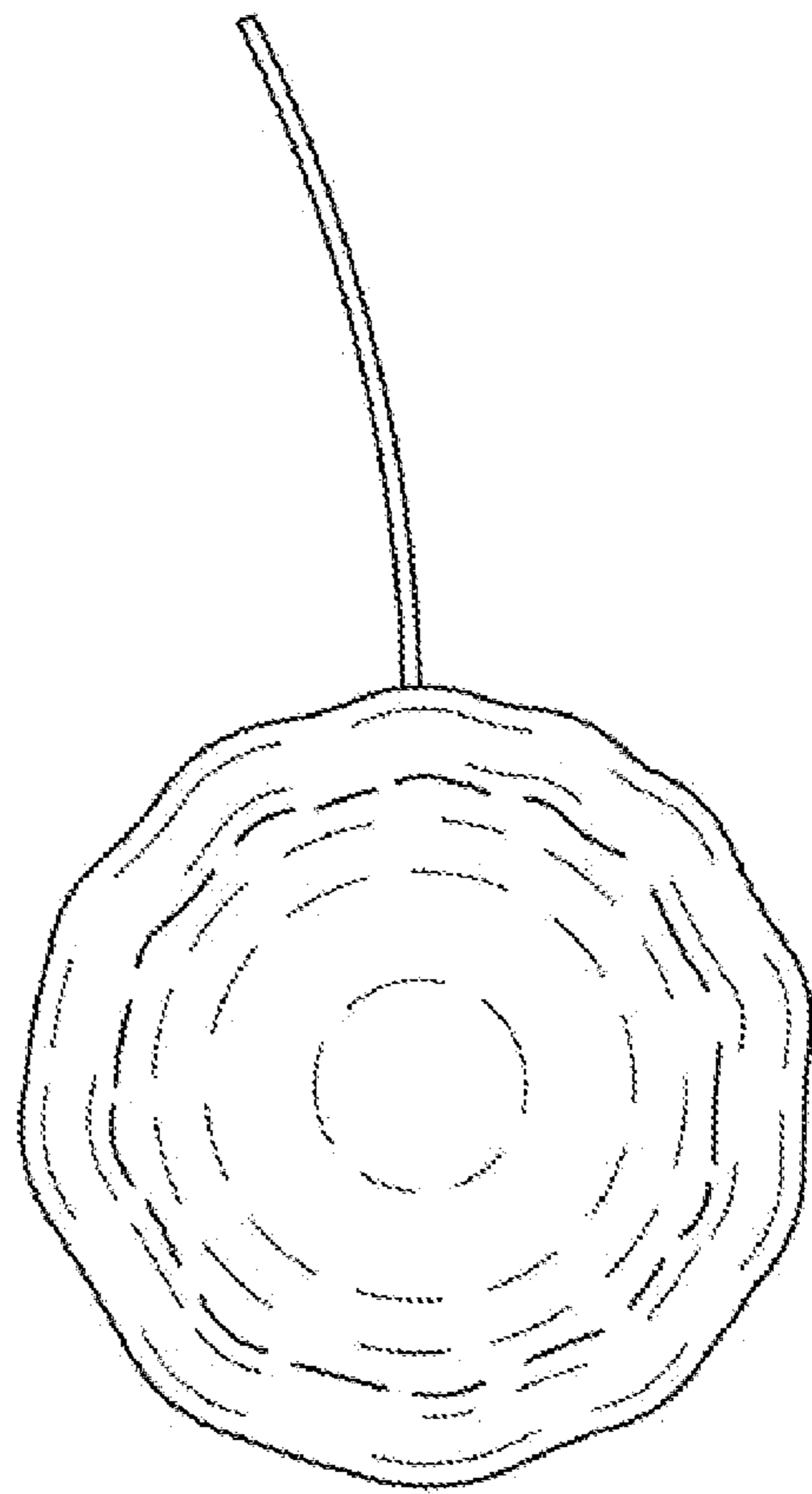


FIG. 4

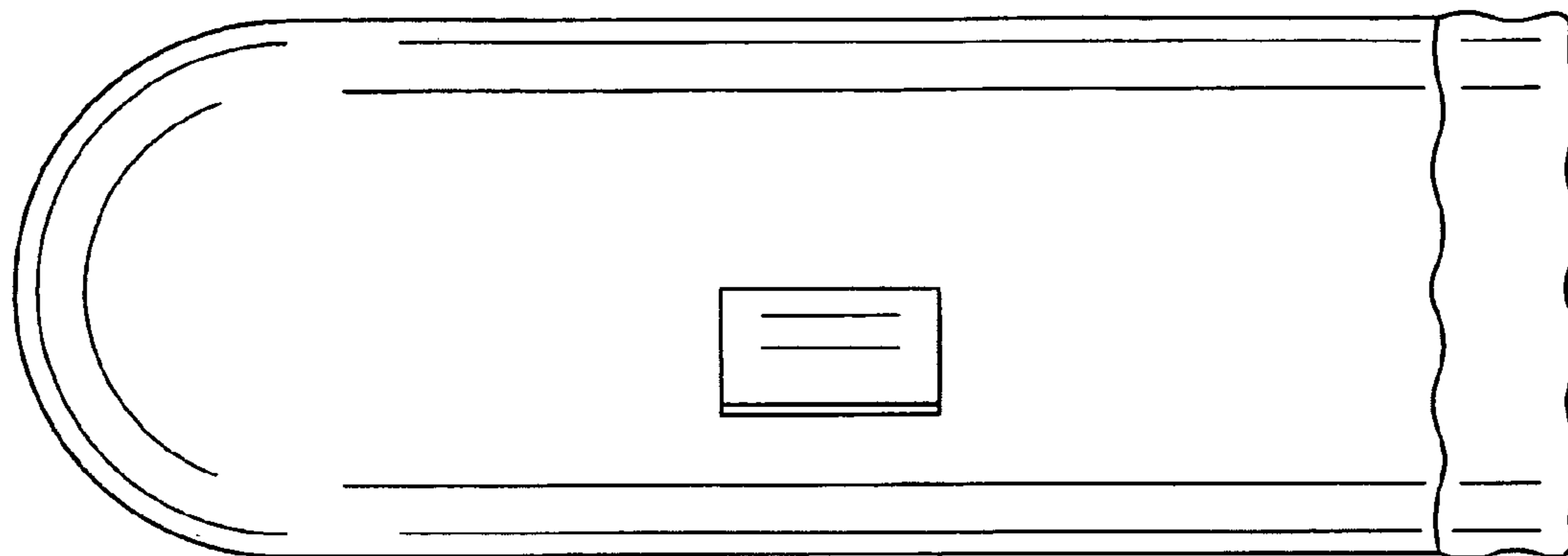


FIG. 5

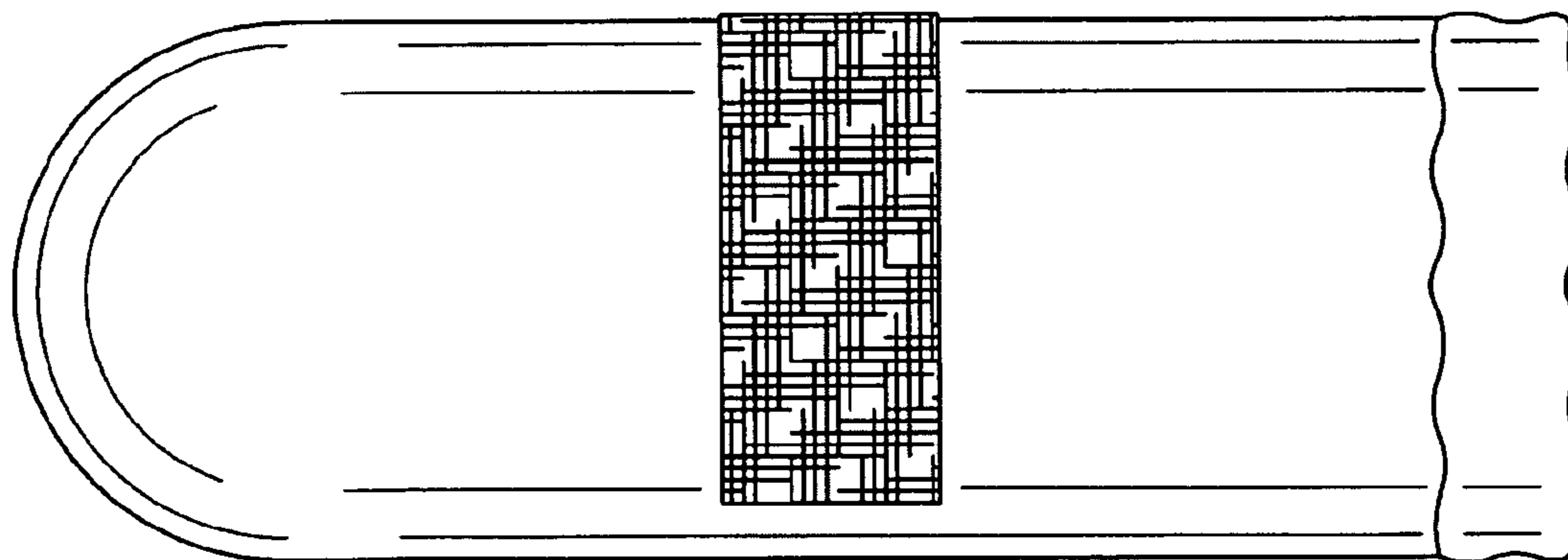


FIG. 6

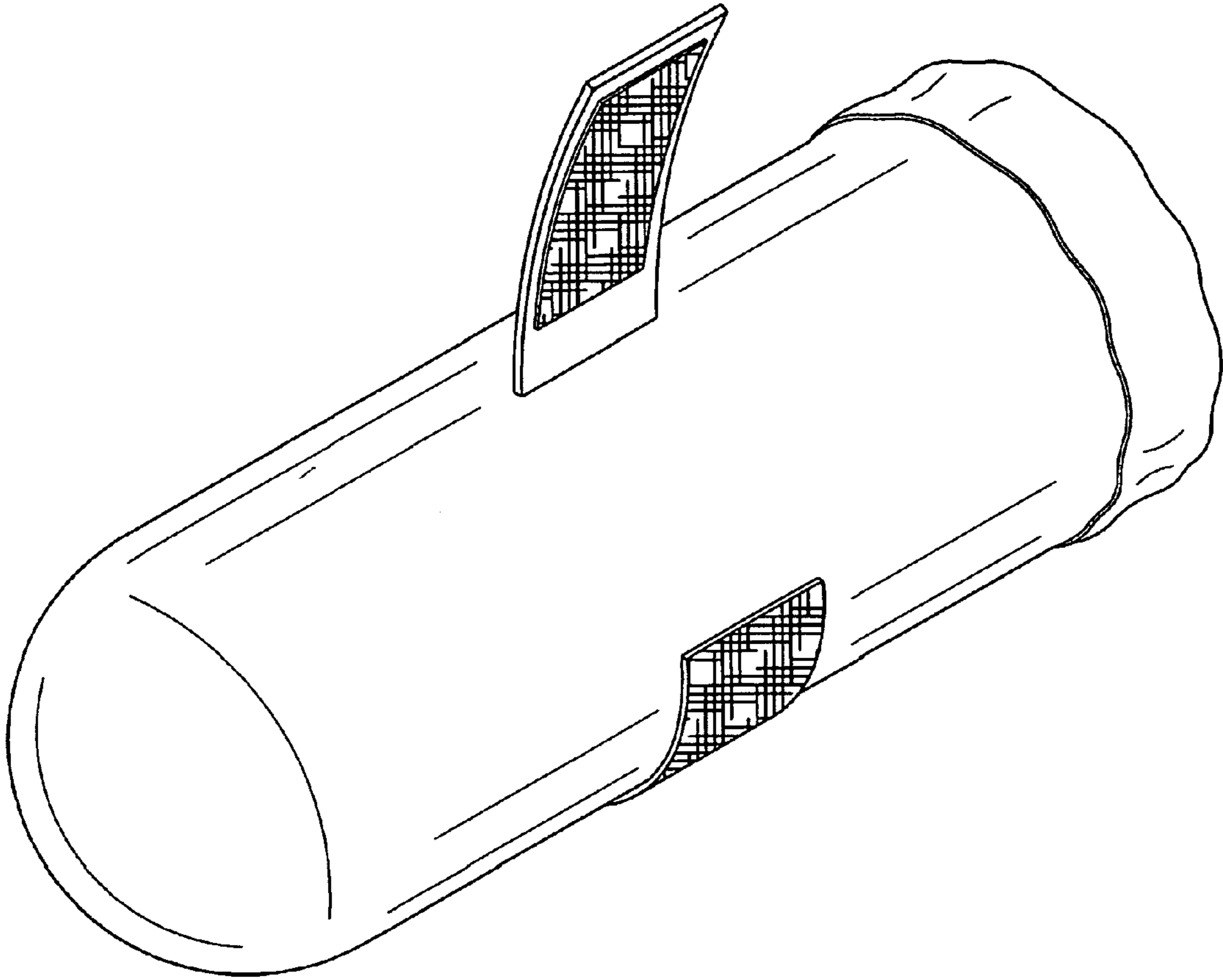


FIG. 7