



US00D613853S

(12) **United States Design Patent**
Ng et al.

(10) **Patent No.:** **US D613,853 S**
(45) **Date of Patent:** **** Apr. 13, 2010**

(54) **ADJUSTABLE FOREHEAD SUPPORT DIAL FOR RESPIRATORY MASK**

(75) Inventors: **Eva Ng**, Erskineville (AU); **Vincent Chu**, Darlington (AU); **Mark Bertinetti**, Ermington (AU); **Scott Alexander Howard**, Harbord (AU); **Murray William Lee**, Quakers Hill (AU); **Philip Thomas Stallard**, Denistone East (AU); **Joshua Adam Gudiksen**, Mortdale (AU); **Susan Robyn Lynch**, Bella Vista (AU)

(73) Assignee: **ResMed Limited**, Bella Vista (AU)

(**) Term: **14 Years**

(21) Appl. No.: **29/311,764**

(22) Filed: **Jun. 15, 2009**

Related U.S. Application Data

(63) Continuation of application No. 29/268,827, filed on Nov. 14, 2006, now Pat. No. Des. 596,739.

(51) **LOC (9) Cl.** **29-02**

(52) **U.S. Cl.** **D24/110.1; D24/110.4; D24/110.5**

(58) **Field of Classification Search** D24/110.1, D24/110.4, 110.5; D9/439, 440, 503, 544; 128/205.25, 206.21, 206.26, 206.27, 207.11, 128/207.13, 207.15; 215/307, 296
See application file for complete search history.

(56) **References Cited**

U.S. PATENT DOCUMENTS

D188,471 S 7/1960 Terwilliger
4,182,458 A 1/1980 Meckler
D328,033 S * 7/1992 DiGuseppi D9/439

D375,018 S * 10/1996 Goto et al. D7/392.1
5,803,285 A 9/1998 Hirota
6,532,961 B1 3/2003 Kwok et al.
D480,640 S * 10/2003 Oyama et al. D9/439
D493,522 S 7/2004 Fu et al.
D501,138 S * 1/2005 Uchiyama D9/439
D515,698 S 2/2006 Lang et al.
D528,417 S * 9/2006 Matsuda et al. D9/439
D543,620 S 5/2007 Chu et al.
D562,446 S 2/2008 Chu et al.

OTHER PUBLICATIONS

Ng et al., U.S. Appl. No. 29/268,827, filed Nov. 14, 2006.

* cited by examiner

Primary Examiner—Ian Simmons

Assistant Examiner—Christopher Lee

(74) *Attorney, Agent, or Firm*—Nixon & Vanderhye P.C.

(57) **CLAIM**

The ornamental design for an adjustable forehead support dial for respiratory mask, as shown and described.

DESCRIPTION

FIG. 1 is a front perspective view of an adjustable forehead support dial for a respiratory mask according to our design;

FIG. 2 is a reverse perspective view thereof;

FIG. 3 is a front view thereof;

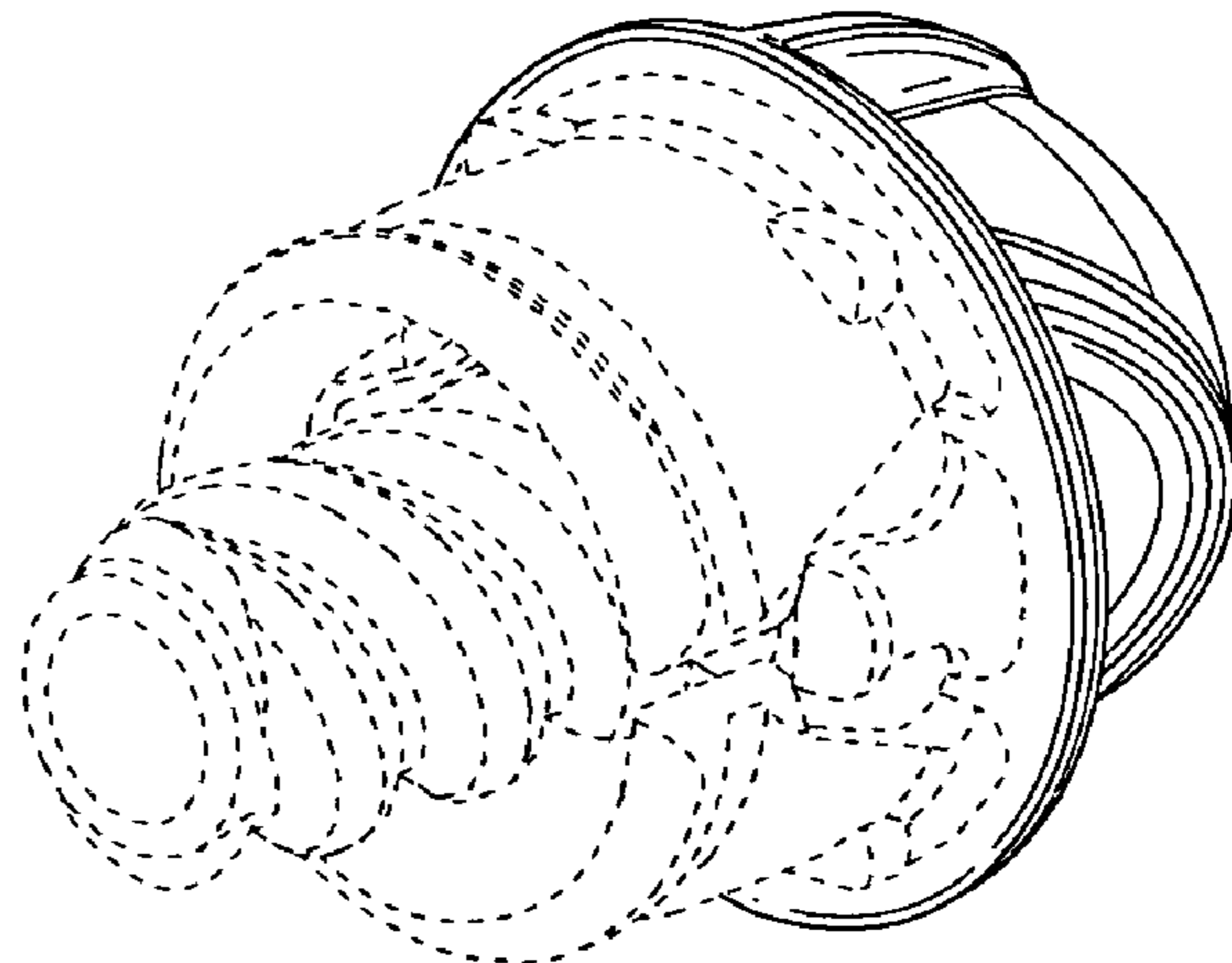
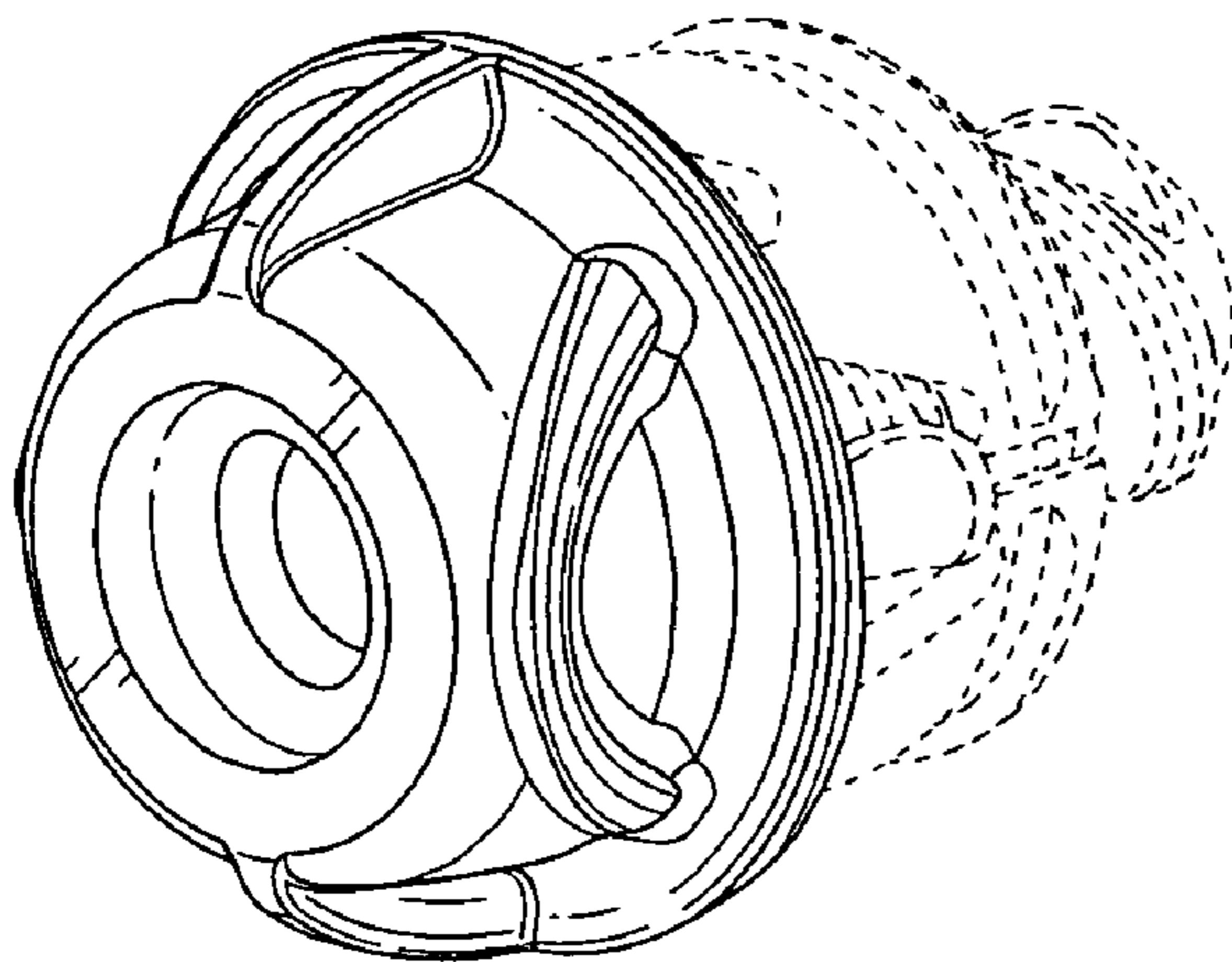
FIG. 4 is a rear view thereof;

FIG. 5 is a top view thereof with the bottom view thereof being identical thereto; and,

FIG. 6 is a left side view thereof with the right side view thereof being identical thereto.

The broken lines illustrate environmental structure of the adjustable forehead support dial for respiratory mask which forms no part of the claimed design.

1 Claim, 2 Drawing Sheets



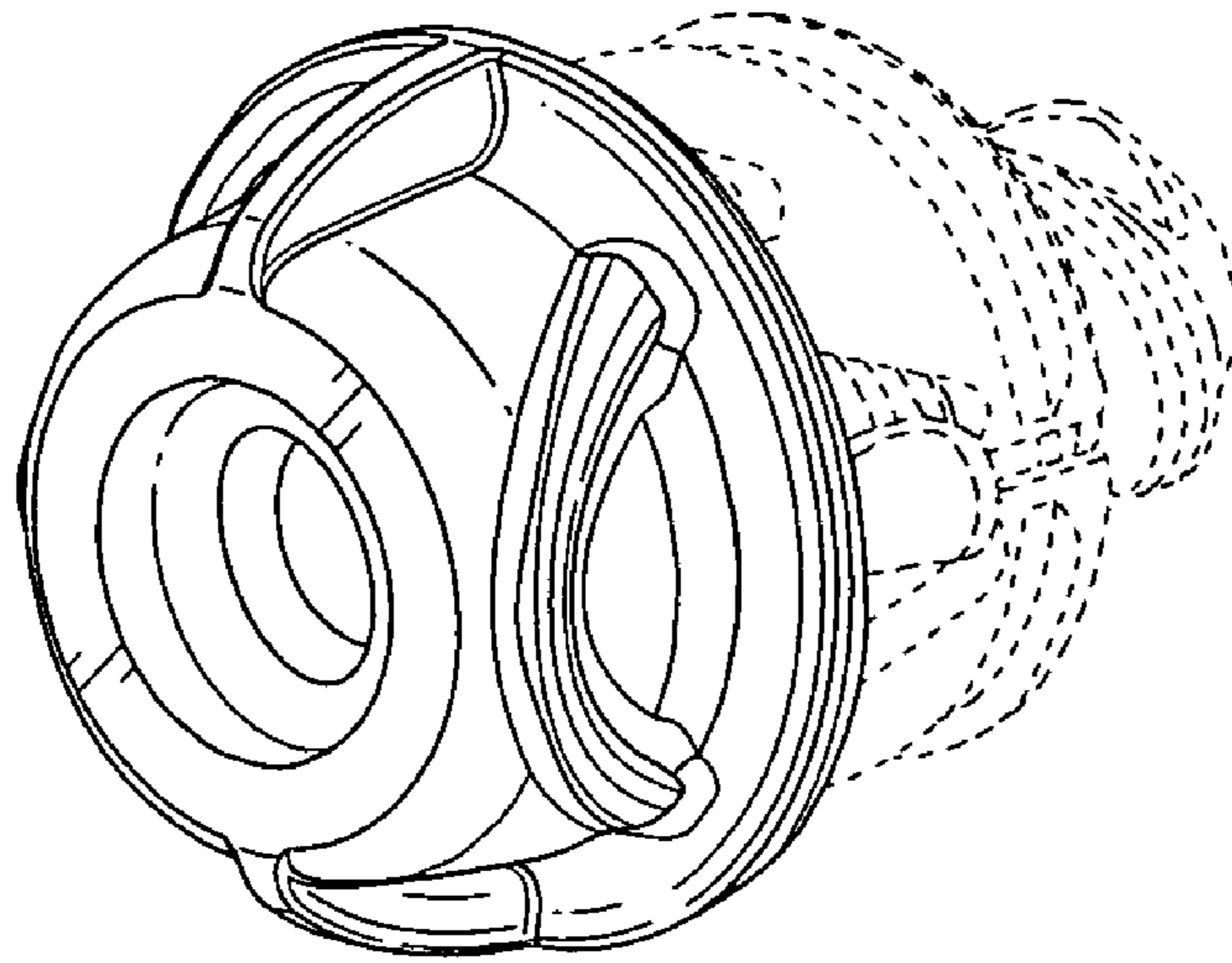


Fig. 1

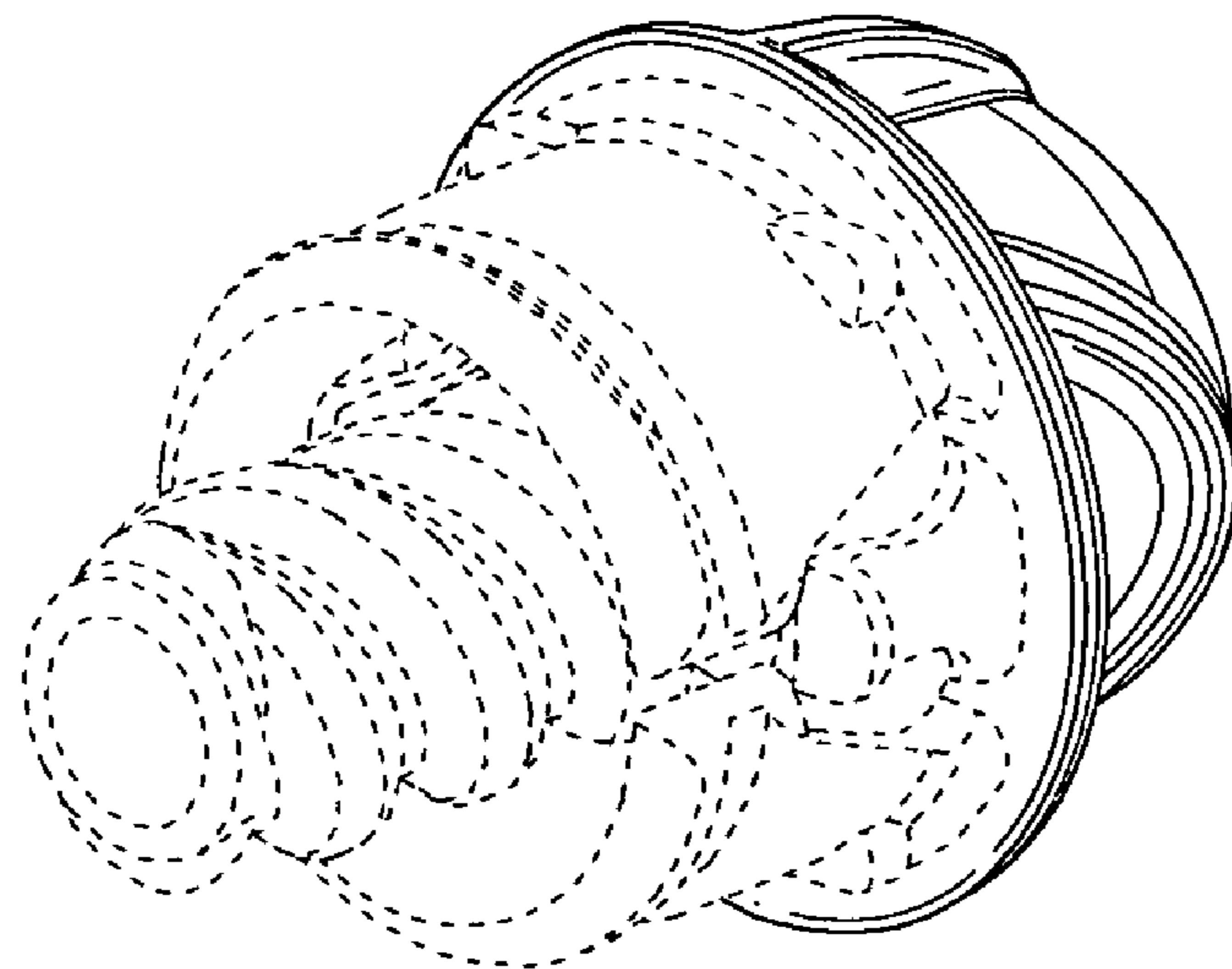


Fig. 2

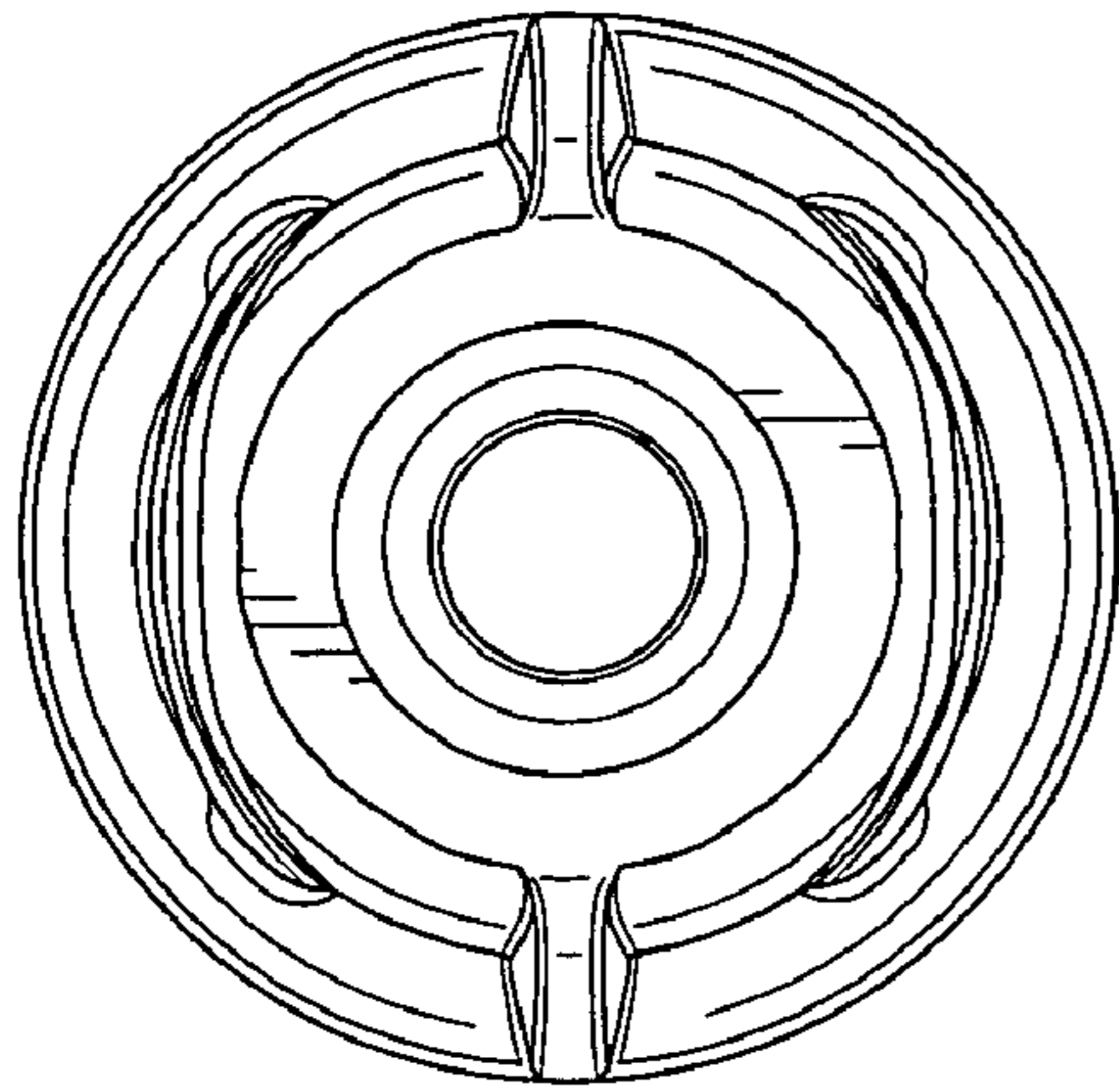


Fig. 3

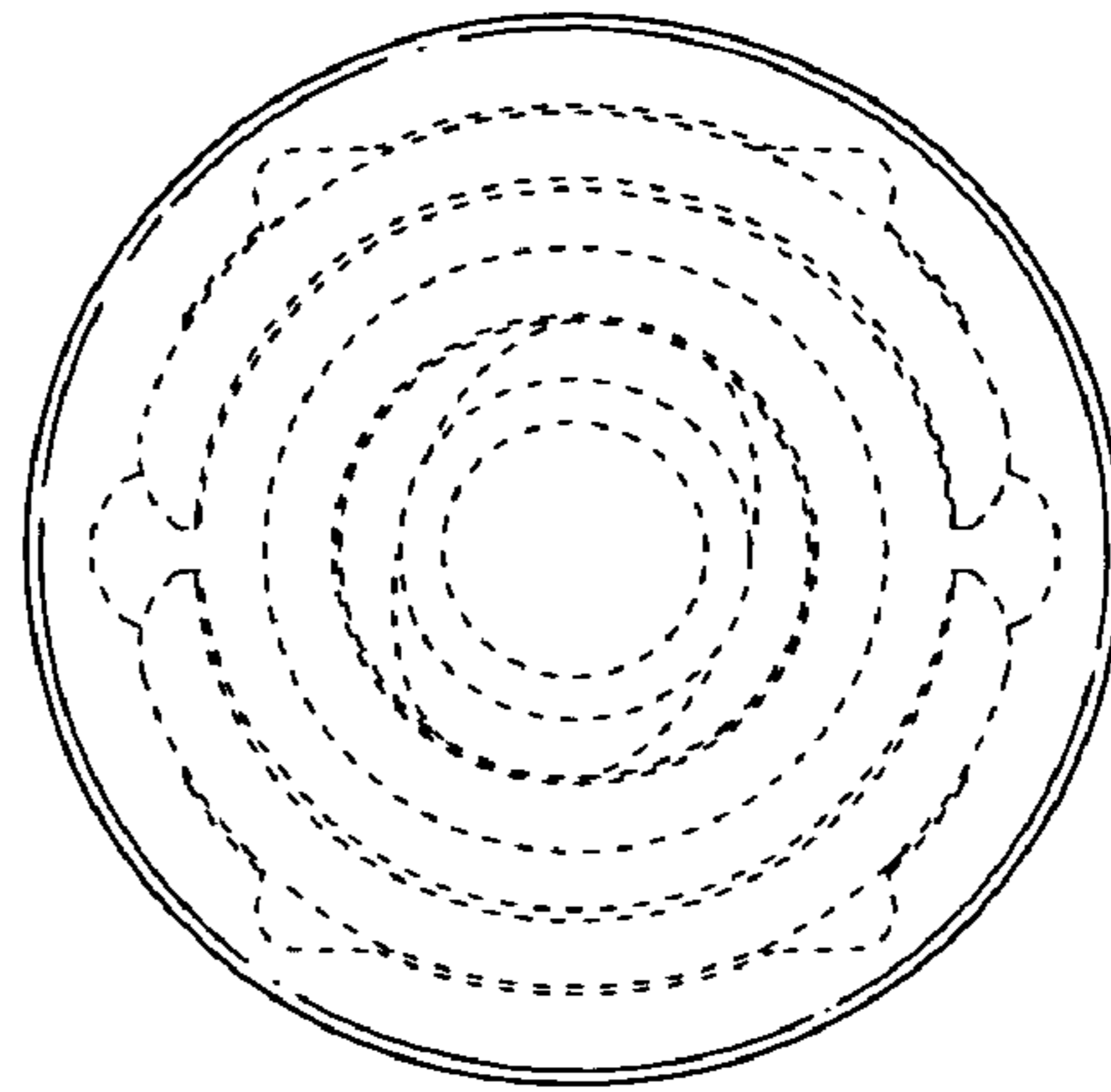


Fig. 4

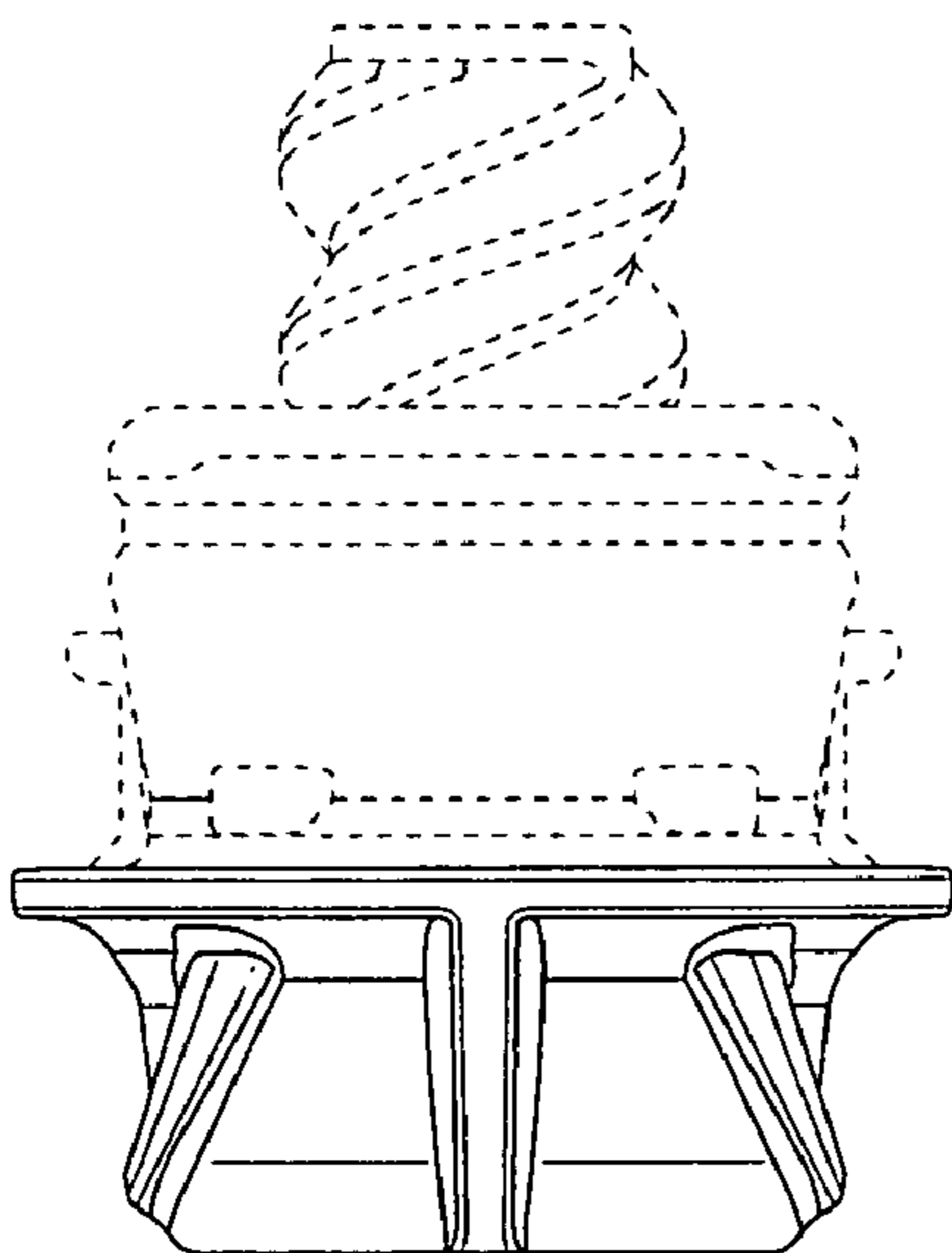


Fig. 5

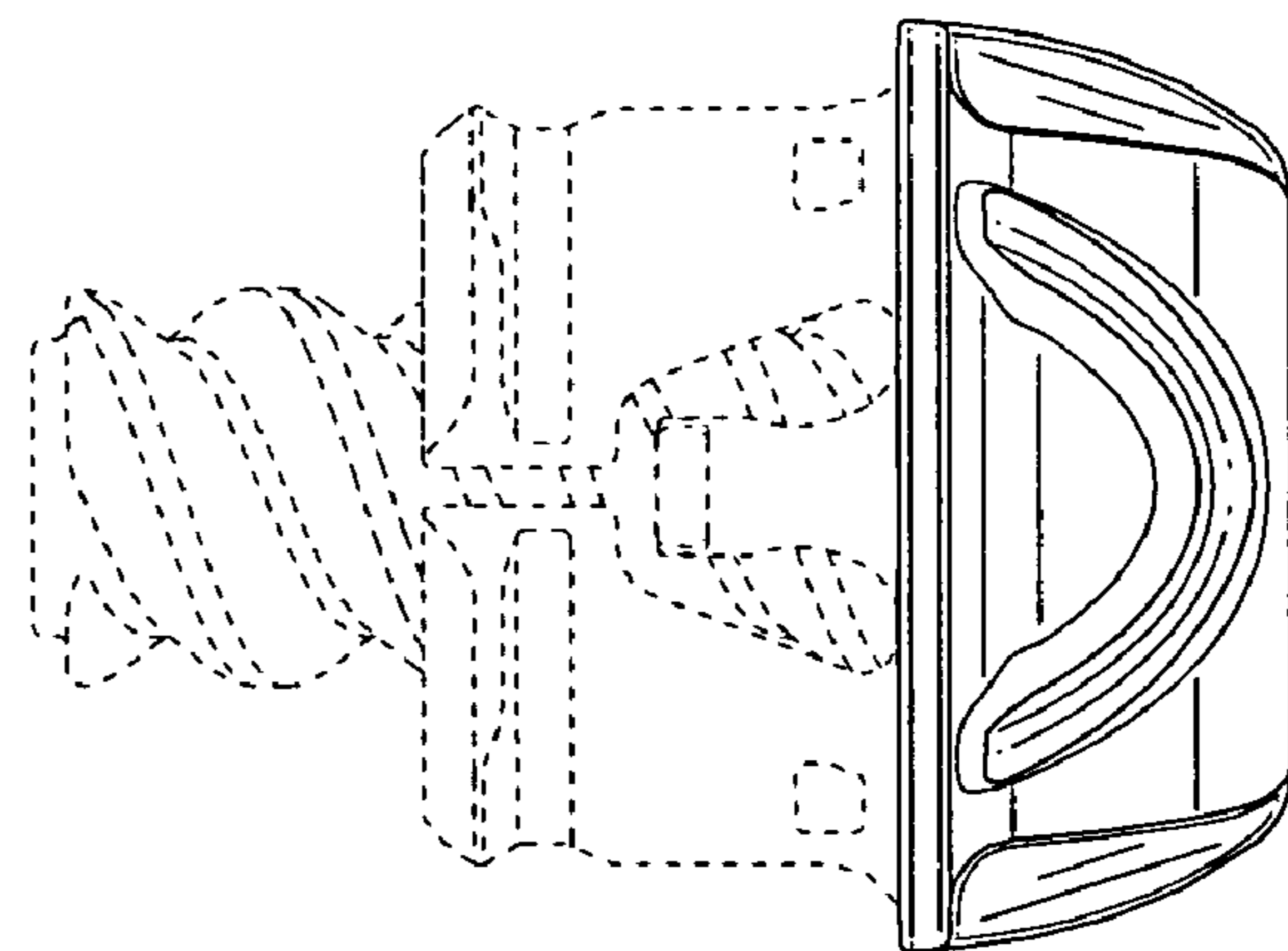


Fig. 6