



US00D613851S

(12) **United States Design Patent**  
**Pilgrim et al.**

(10) **Patent No.:** **US D613,851 S**  
(45) **Date of Patent:** **\*\* Apr. 13, 2010**

(54) **FILTER HOUSING**

(75) Inventors: **John M. Pilgrim**, Woodbury, MN (US);  
**Thomas W. Holmquist-Brown**, St. Paul,  
MN (US)

(73) Assignee: **3M Innovative Properties Company**,  
St. Paul, MN (US)

(\*\*) Term: **14 Years**

(21) Appl. No.: **29/283,669**

(22) Filed: **Aug. 21, 2007**

(51) **LOC (9) Cl.** ..... **29-02**

(52) **U.S. Cl.** ..... **D24/110.1**

(58) **Field of Classification Search** .. D24/110.1-110.6;  
128/207.18, 207.13, 206.21, 206.11, 206.12,  
128/200.24, 205.25, 204.23

See application file for complete search history.

(56) **References Cited**

**U.S. PATENT DOCUMENTS**

2,706,983	A *	4/1955	Matheson et al. ....	128/206.24
D286,213	S *	10/1986	Maryyanek et al. ....	D24/110.1
D326,540	S *	5/1992	Scholey .....	D24/110.1
5,505,197	A *	4/1996	Scholey .....	128/206.17
D396,283	S *	7/1998	Scholey .....	D24/110.5
D434,493	S *	11/2000	Fecteau et al. ....	D24/110.1
D440,301	S *	4/2001	Fecteau et al. ....	D24/110.1
2002/0078953	A1 *	6/2002	Fecteau et al. ....	128/202.27
2004/0055604	A1 *	3/2004	Viner et al. ....	128/206.16

**OTHER PUBLICATIONS**

Picture of 3M 3000 Series Respirator.  
Picture of Daekook D8111 Respirator.  
Picture of Koken 1005R Respirator.  
Picture of Onnuri ONW8014 Respirator.  
Picture of Shigematsu Works Co. Ltd (STS) DRE30 Respirator.

\* cited by examiner

*Primary Examiner*—Ian Simmons  
*Assistant Examiner*—Christopher Lee

(74) *Attorney, Agent, or Firm*—Karl G. Hanson

(57) **CLAIM**

The ornamental design for a filter housing, as shown and described.

**DESCRIPTION**

FIG. 1 is a perspective view, showing the new design for a filter housing;

FIG. 2 is a front view thereof;

FIG. 3 is a right side view thereof, the left side being a mirror image thereof;

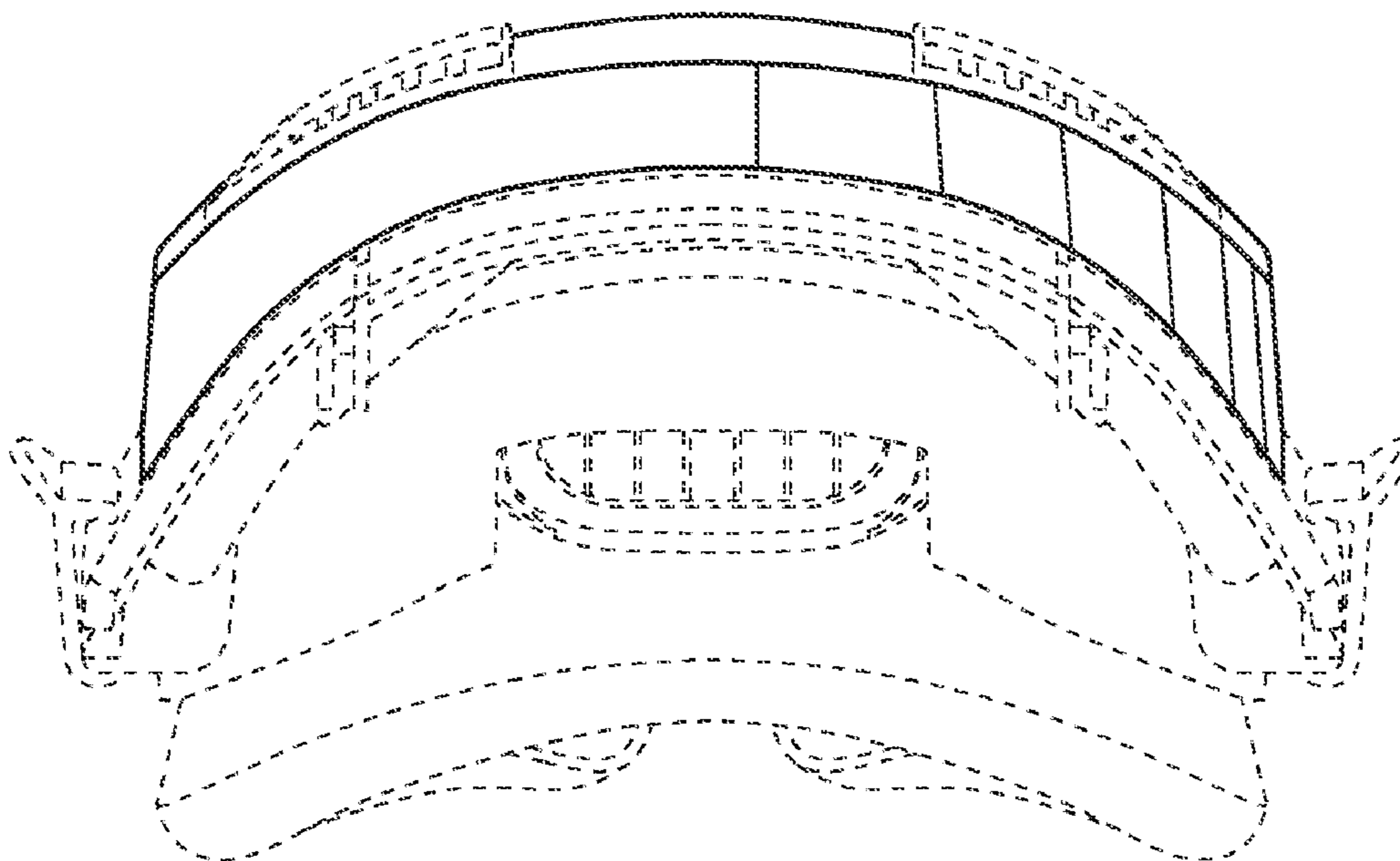
FIG. 4 is a rear view thereof;

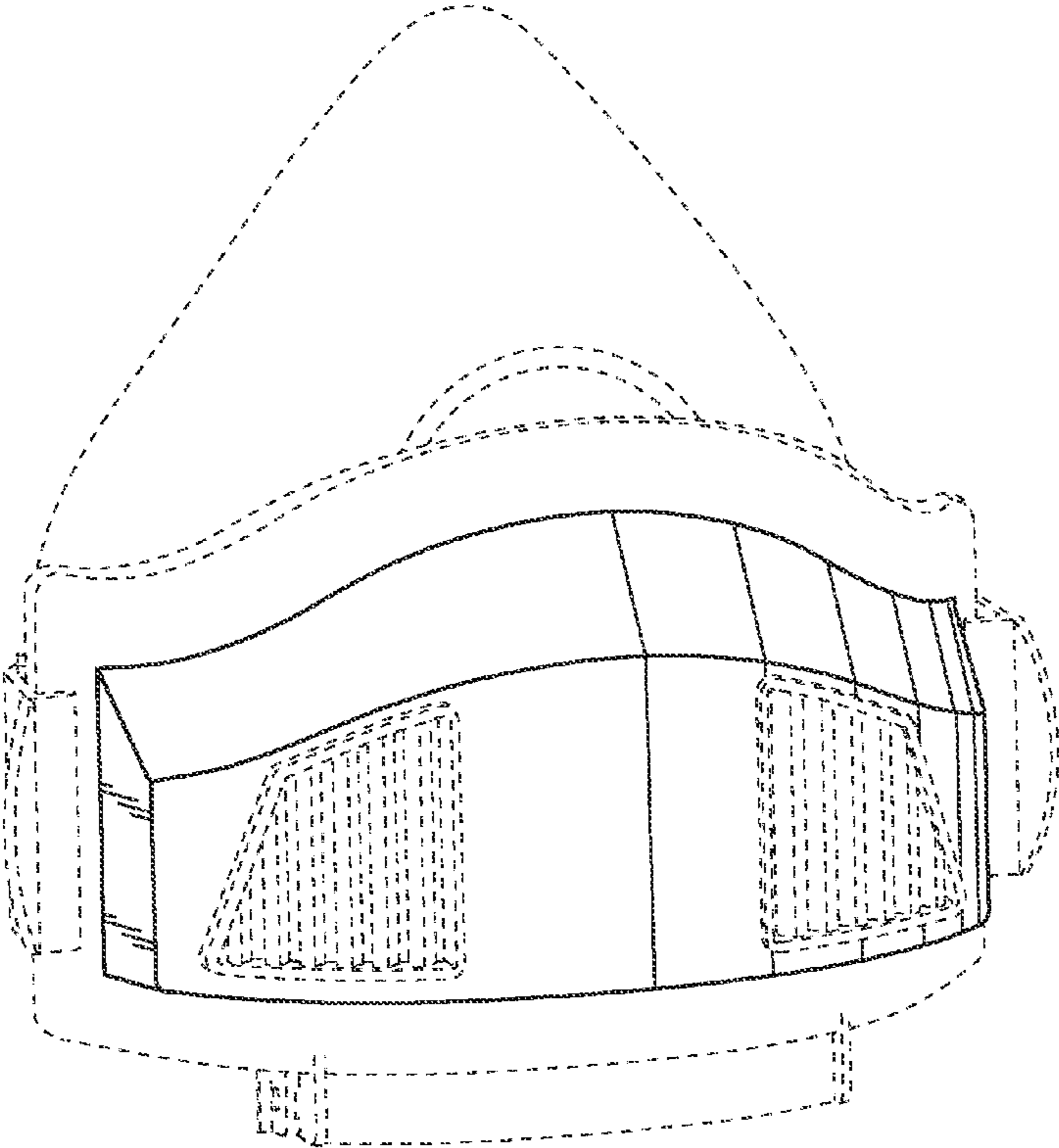
FIG. 5 is a top view thereof; and,

FIG. 6 is a bottom view thereof.

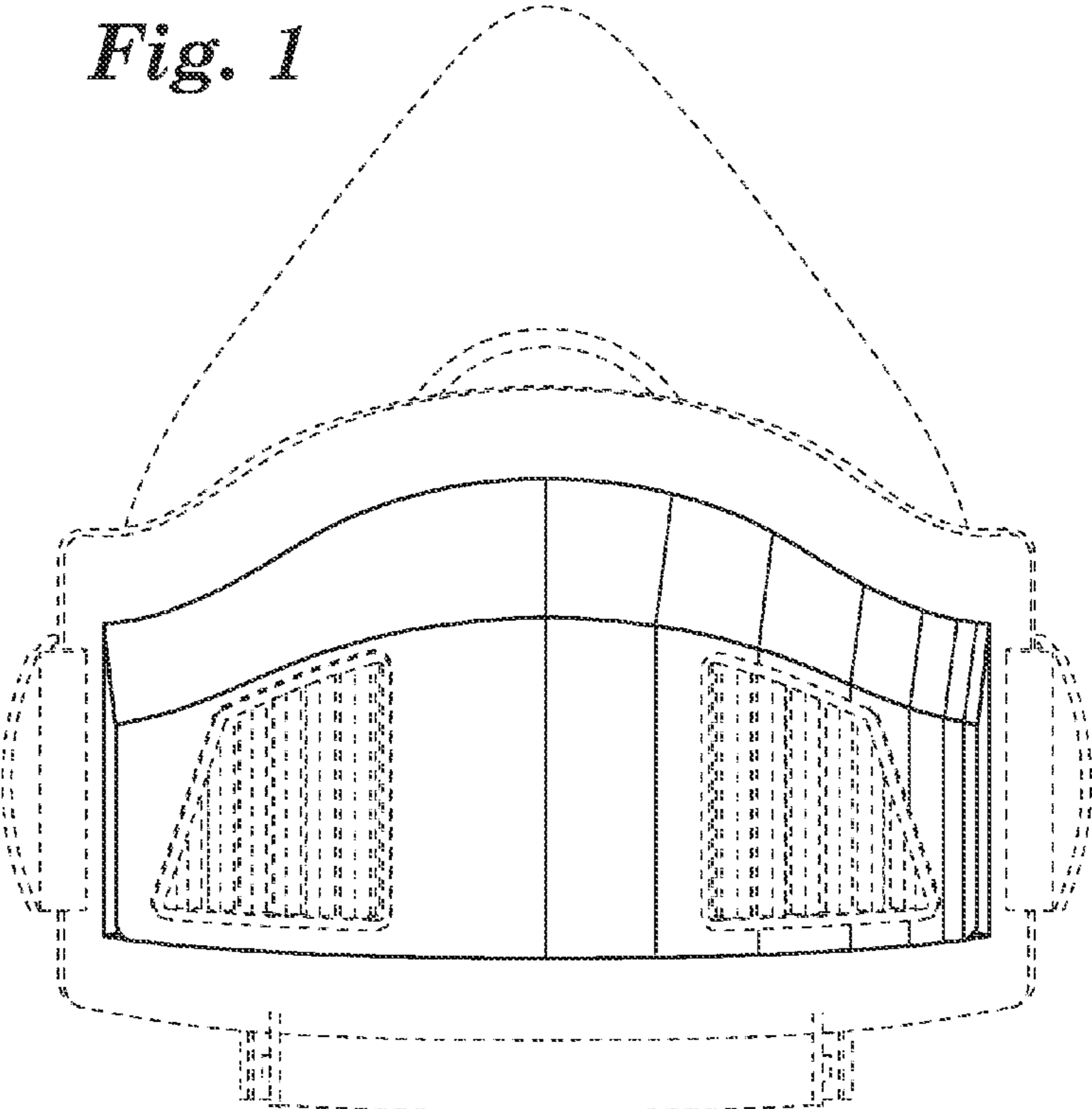
The phantom line showing forms no part of the claimed design, and the surface shading lines are provided to illustrate contour only; they are not an indication of texture, gloss, etc.

**1 Claim, 3 Drawing Sheets**

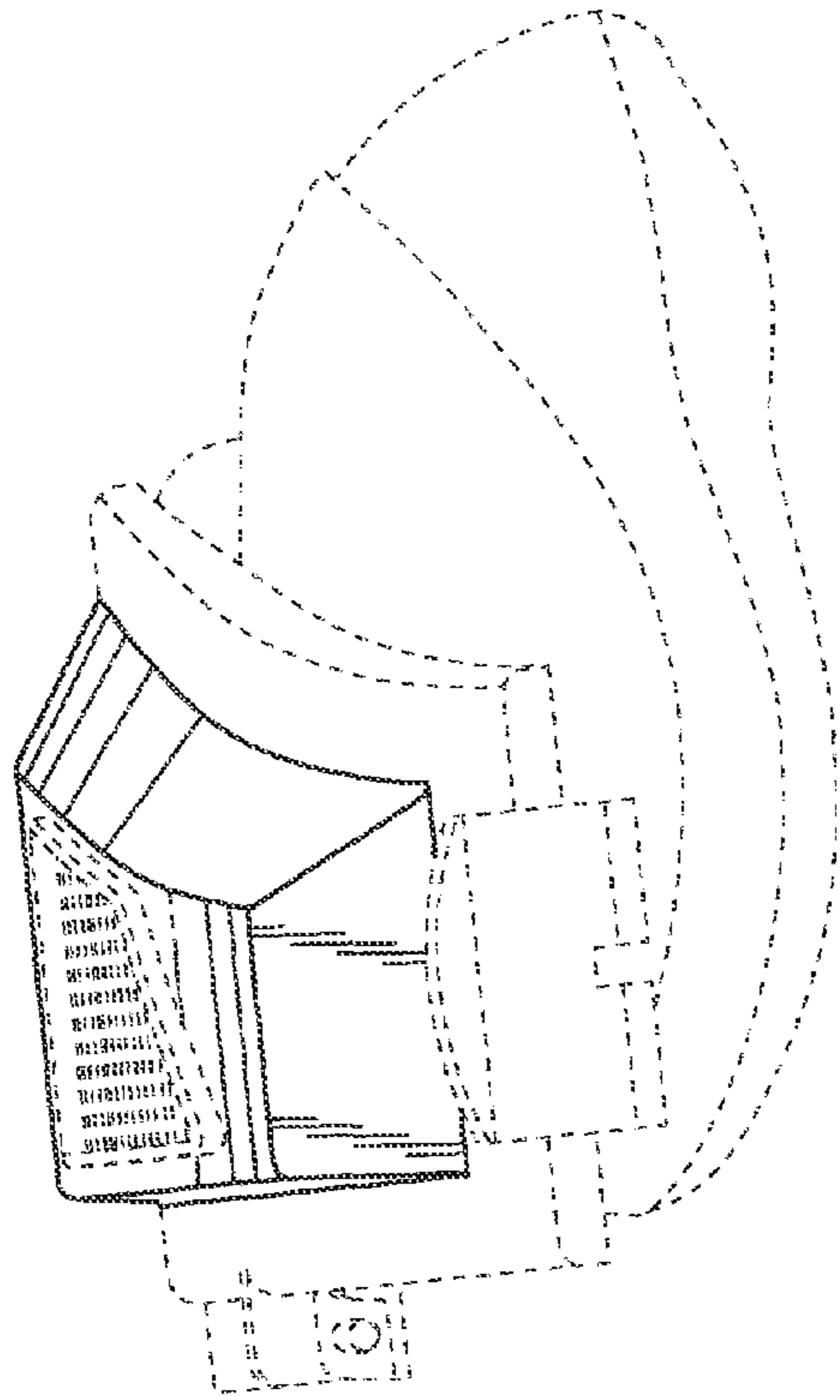




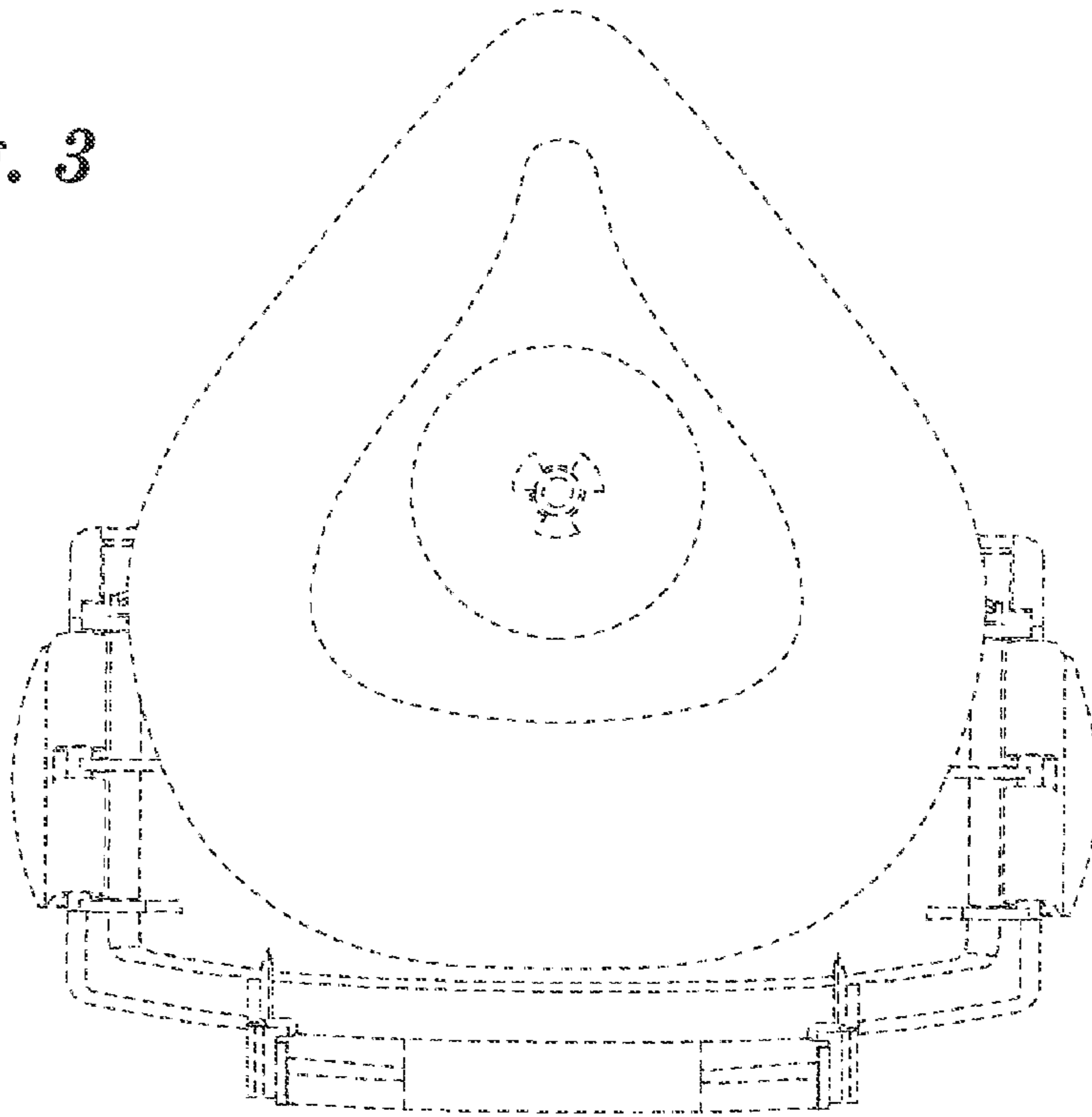
*Fig. 1*



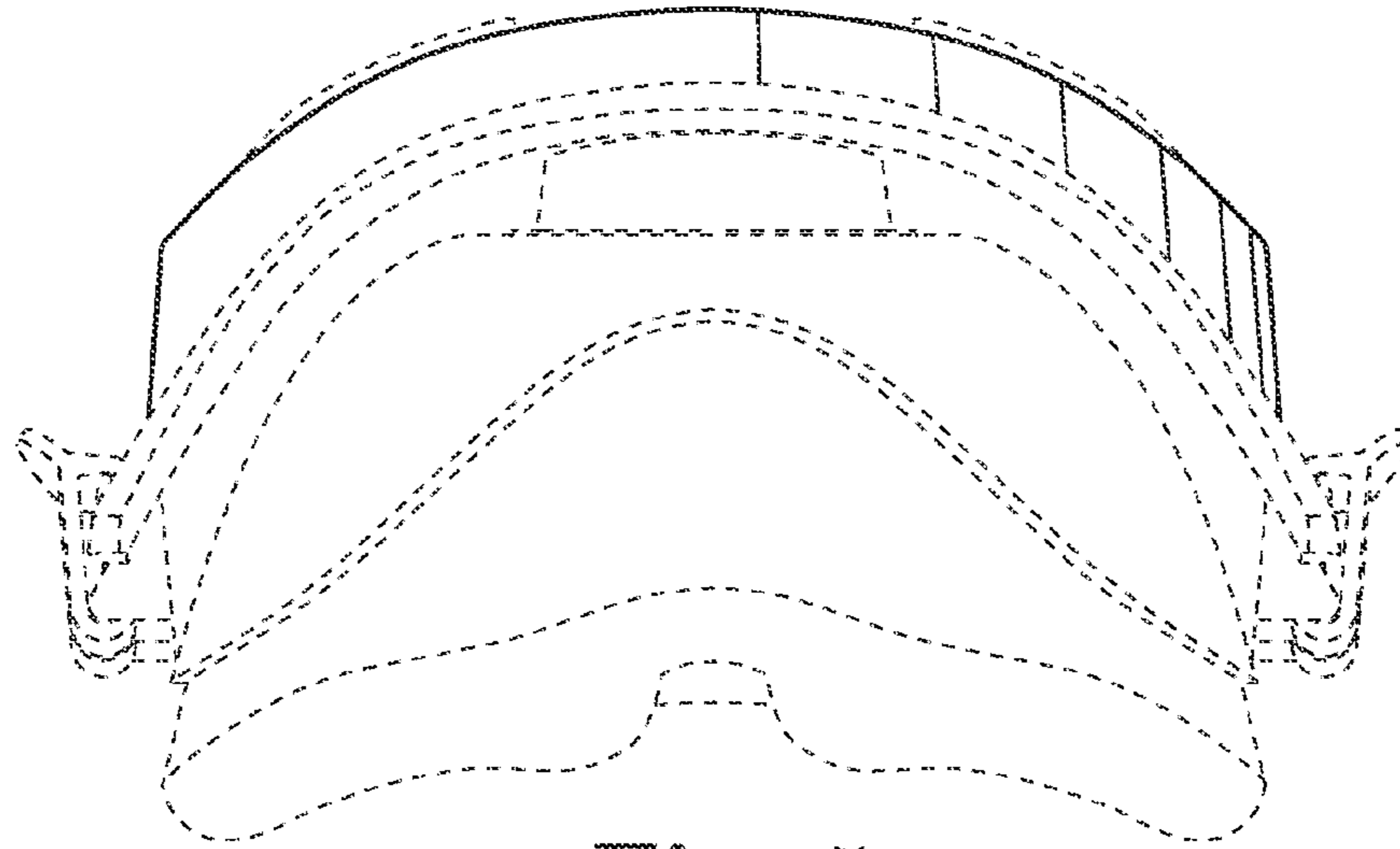
*Fig. 2*



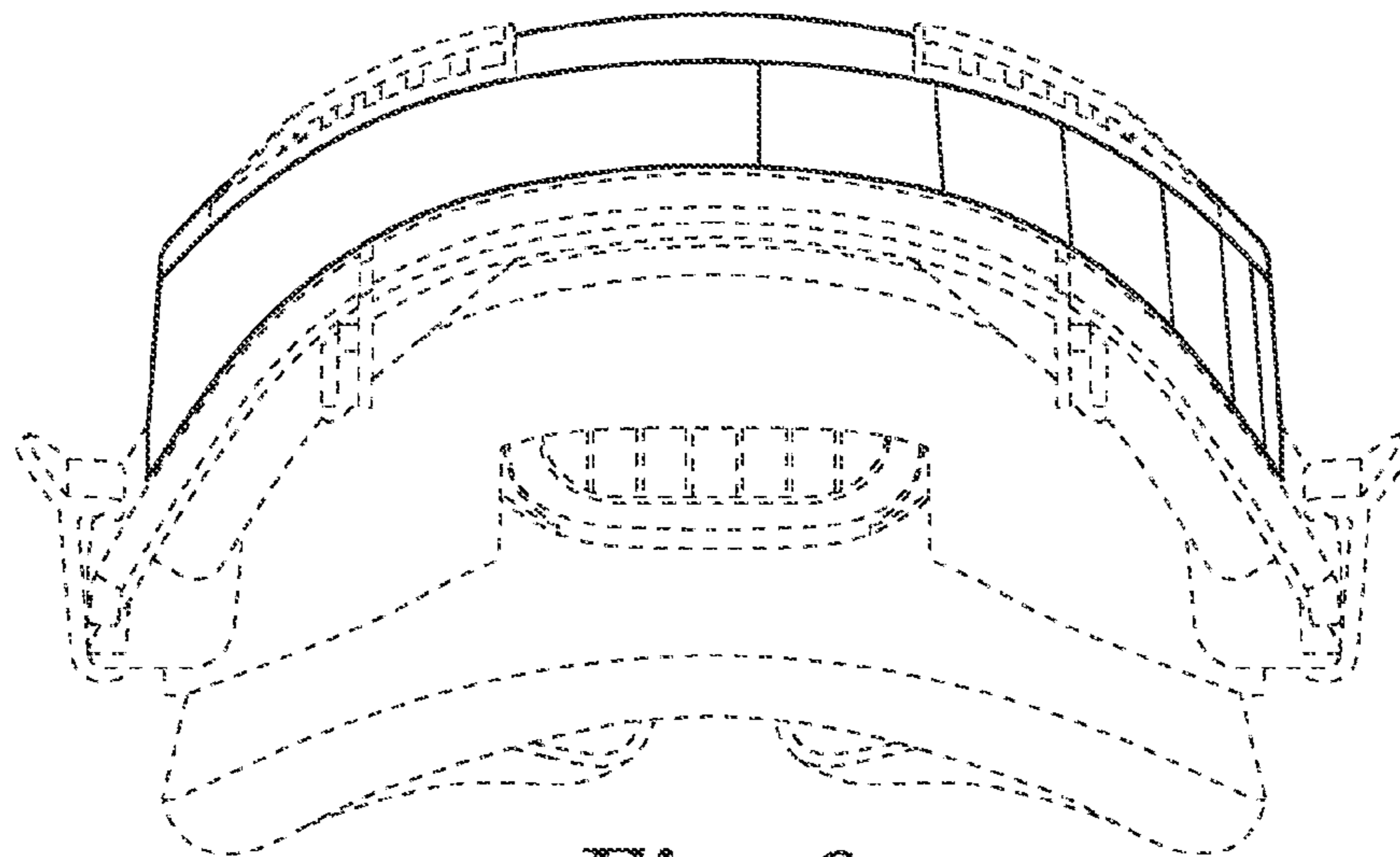
*Fig. 3*



*Fig. 4*



*Fig. 5*



*Fig. 6*