



US00D613850S

(12) **United States Design Patent**  
**Holmquist-Brown et al.**

(10) **Patent No.:** **US D613,850 S**  
(45) **Date of Patent:** **\*\* Apr. 13, 2010**

(54) **RESPIRATOR MASK BODY**

D597,200 S \* 7/2009 Grimsley ..... D24/110.1

(75) Inventors: **Thomas W. Holmquist-Brown**, St. Paul, MN (US); **John M. Pilgrim**, Woodbury, MN (US); **Thomas G. Skulley**, St. Paul, MN (US)

(73) Assignee: **3M Innovative Properties Company**, St. Paul, MN (US)

(\*\*) Term: **14 Years**

(21) Appl. No.: **29/282,884**

(22) Filed: **Jul. 31, 2007**

(51) **LOC (9) Cl.** ..... **29-02**

(52) **U.S. Cl.** ..... **D24/110.1**

(58) **Field of Classification Search** ..... D24/110.1, D24/110.2, 110.3, 110.4, 110.5; 128/207.18, 128/207.13, 206.21, 206.11, 206.12, 200.24, 128/205.25, 204.23

See application file for complete search history.

(56) **References Cited**

**U.S. PATENT DOCUMENTS**

5,062,421	A	11/1991	Burns et al.	
D382,341	S	8/1997	Freund	
D477,074	S	* 7/2003	Rudolph et al.	..... D24/110.4
D483,476	S	* 12/2003	Von Hollen et al.	..... D24/110.4
D483,477	S	* 12/2003	Ankey et al.	..... D24/110.4
D516,715	S	3/2006	Guney et al.	
D562,444	S	* 2/2008	Guney et al.	..... D24/110.1
D585,979	S	* 2/2009	Stallard et al.	..... D24/110.1

**OTHER PUBLICATIONS**

Picture of Koken G-7 Respirator.  
Picture of Koken R-5 Respirator.  
Picture of Shigematsu Works Co. Ltd (STS) GM77 Respirator.  
Picture of Shigematsu Works Co. Ltd (STS) GM78 Respirator.

\* cited by examiner

*Primary Examiner*—Ian Simmons

*Assistant Examiner*—Christopher Lee

(74) *Attorney, Agent, or Firm*—Karl G. Hanson

(57) **CLAIM**

The ornamental design for a respirator mask body, as shown and described.

**DESCRIPTION**

FIG. 1 is a perspective view of a new design for a respirator mask body;

FIG. 2 is a front view thereof;

FIG. 3 is a rear view thereof;

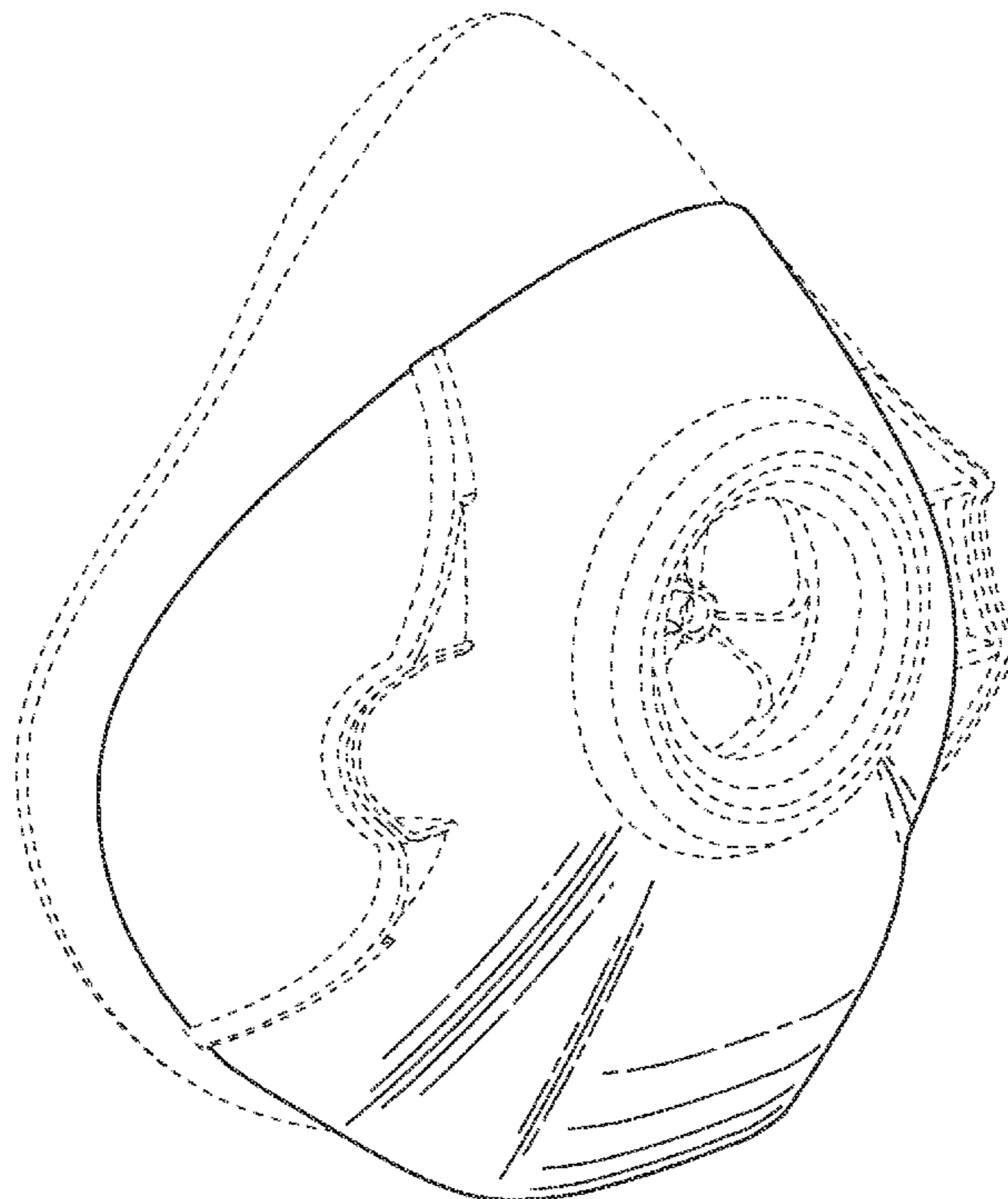
FIG. 4 is a right side view, the left side being a mirror image thereof;

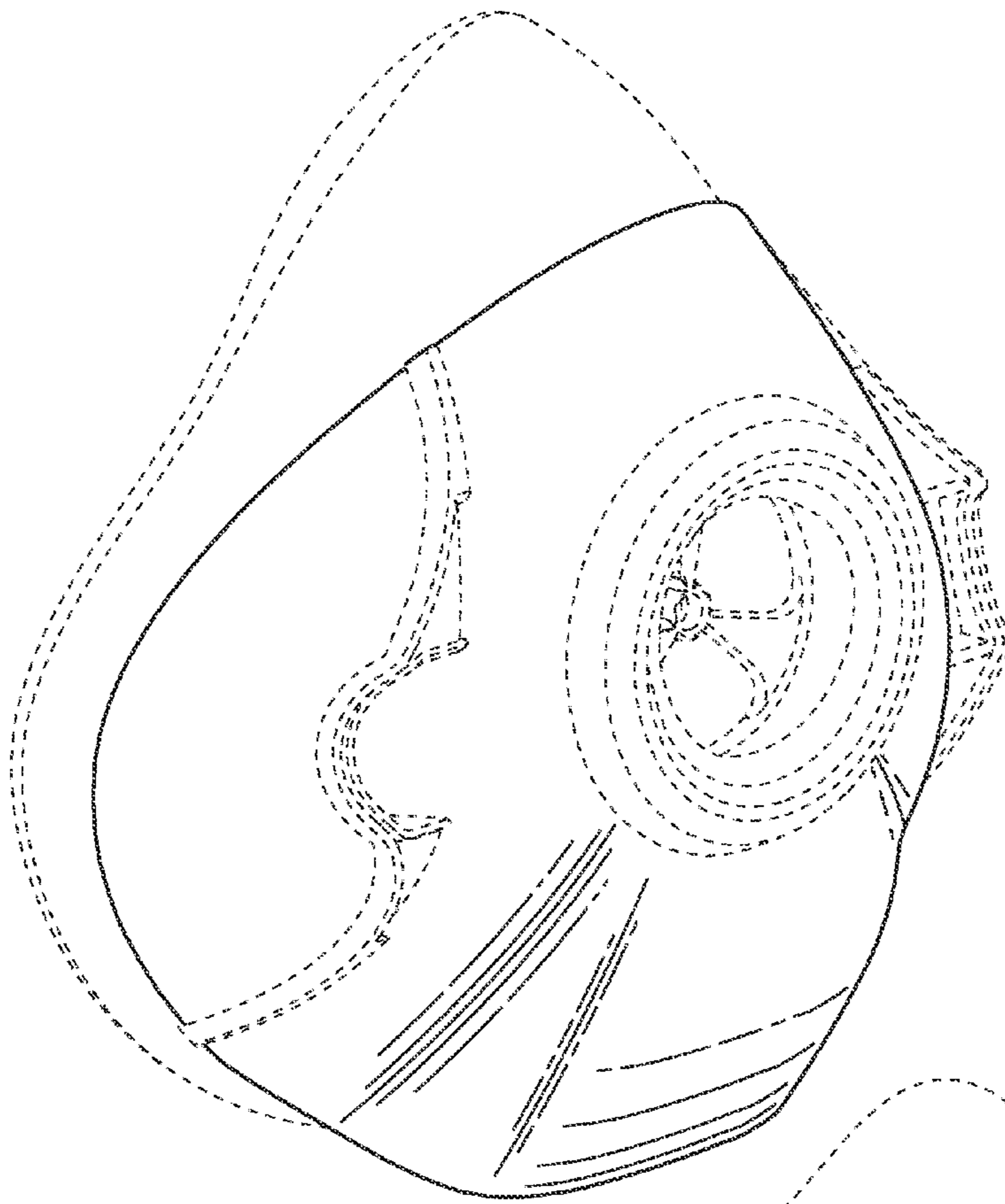
FIG. 5 is a top view thereof; and,

FIG. 6 is a bottom view thereof.

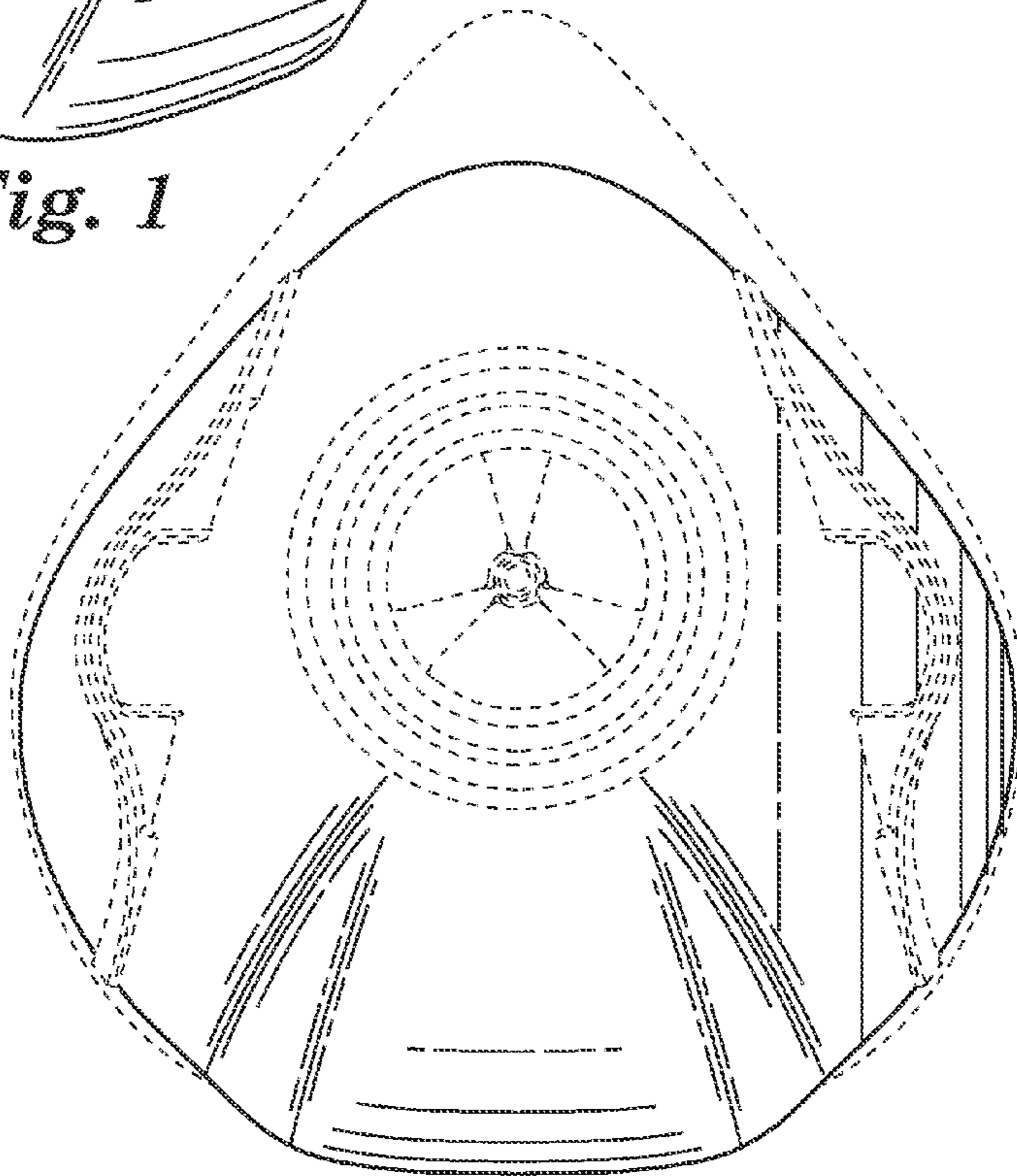
The broken line showing forms no part of the claimed design. The shading is only provided to illustrate contour; it is not indicative of texture, etc.

**1 Claim, 3 Drawing Sheets**

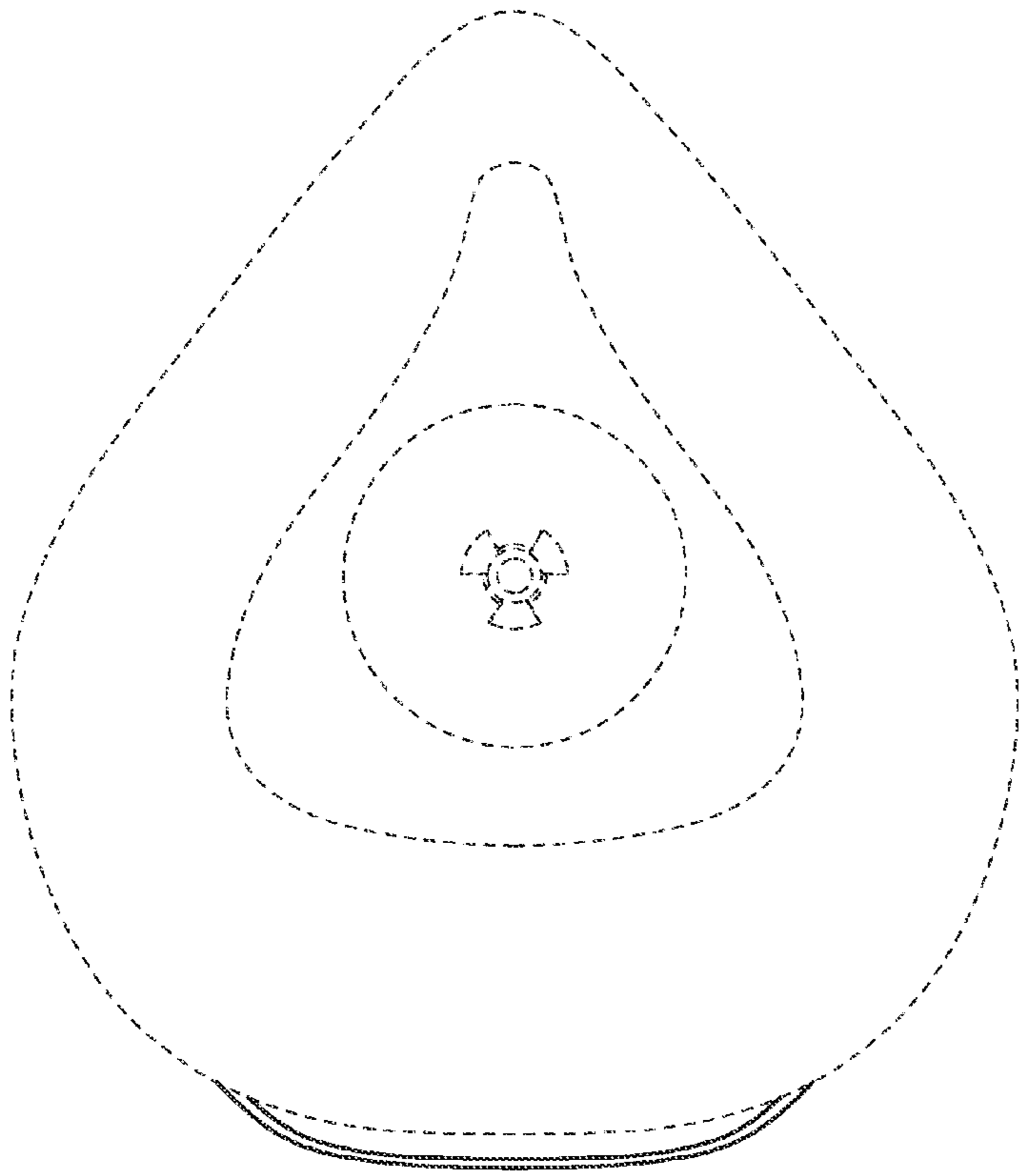




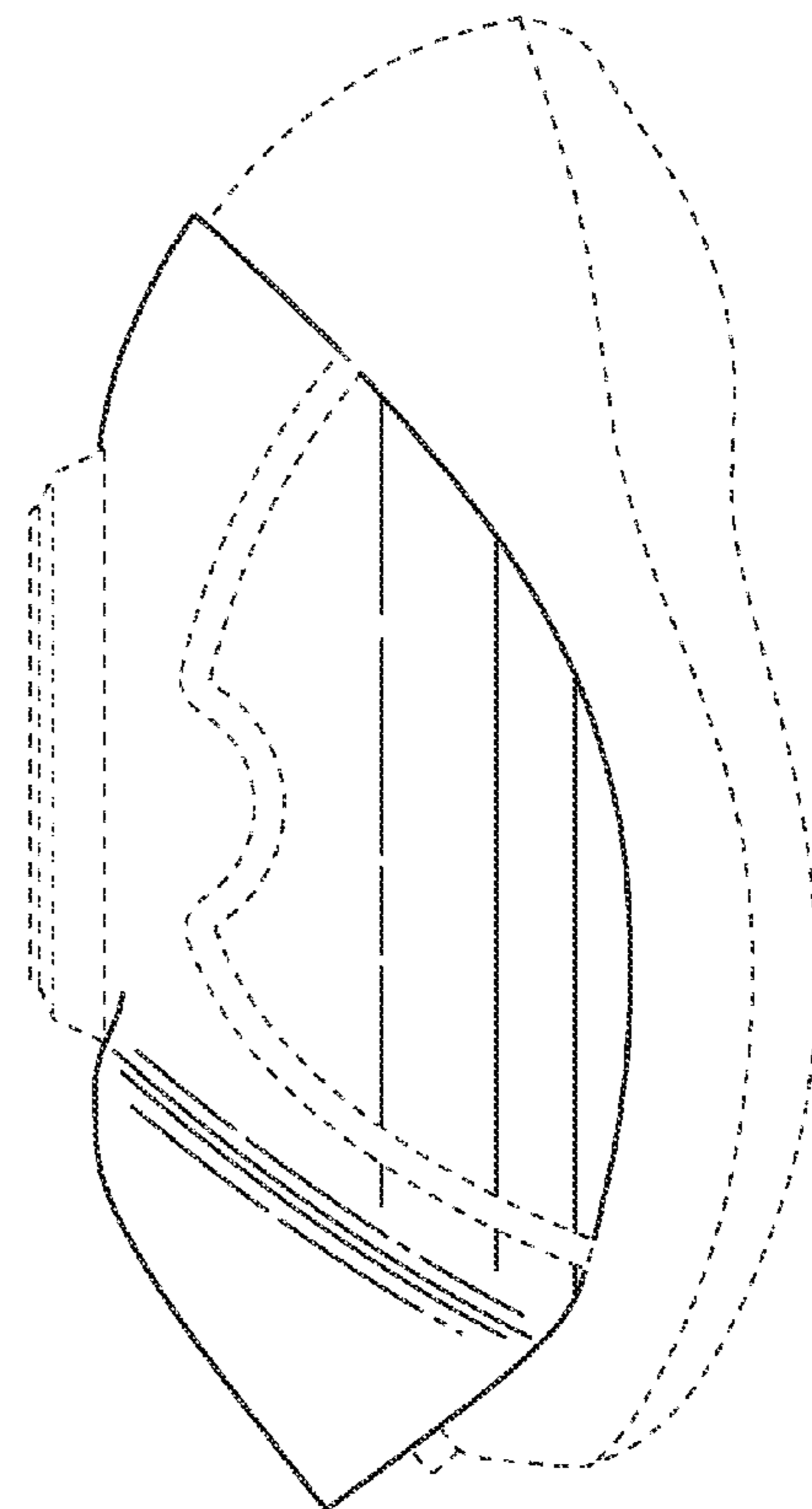
*Fig. 1*



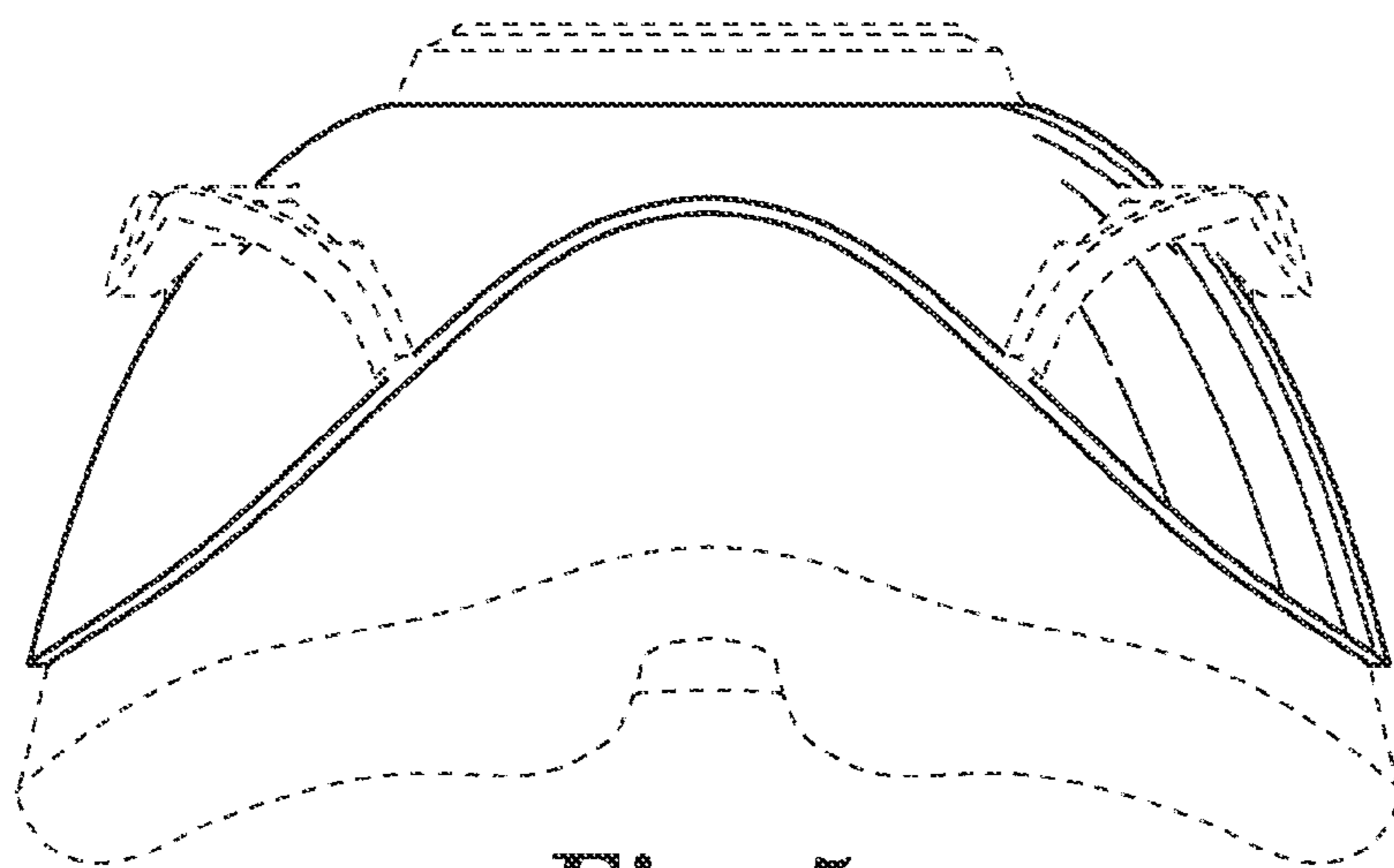
*Fig. 2*



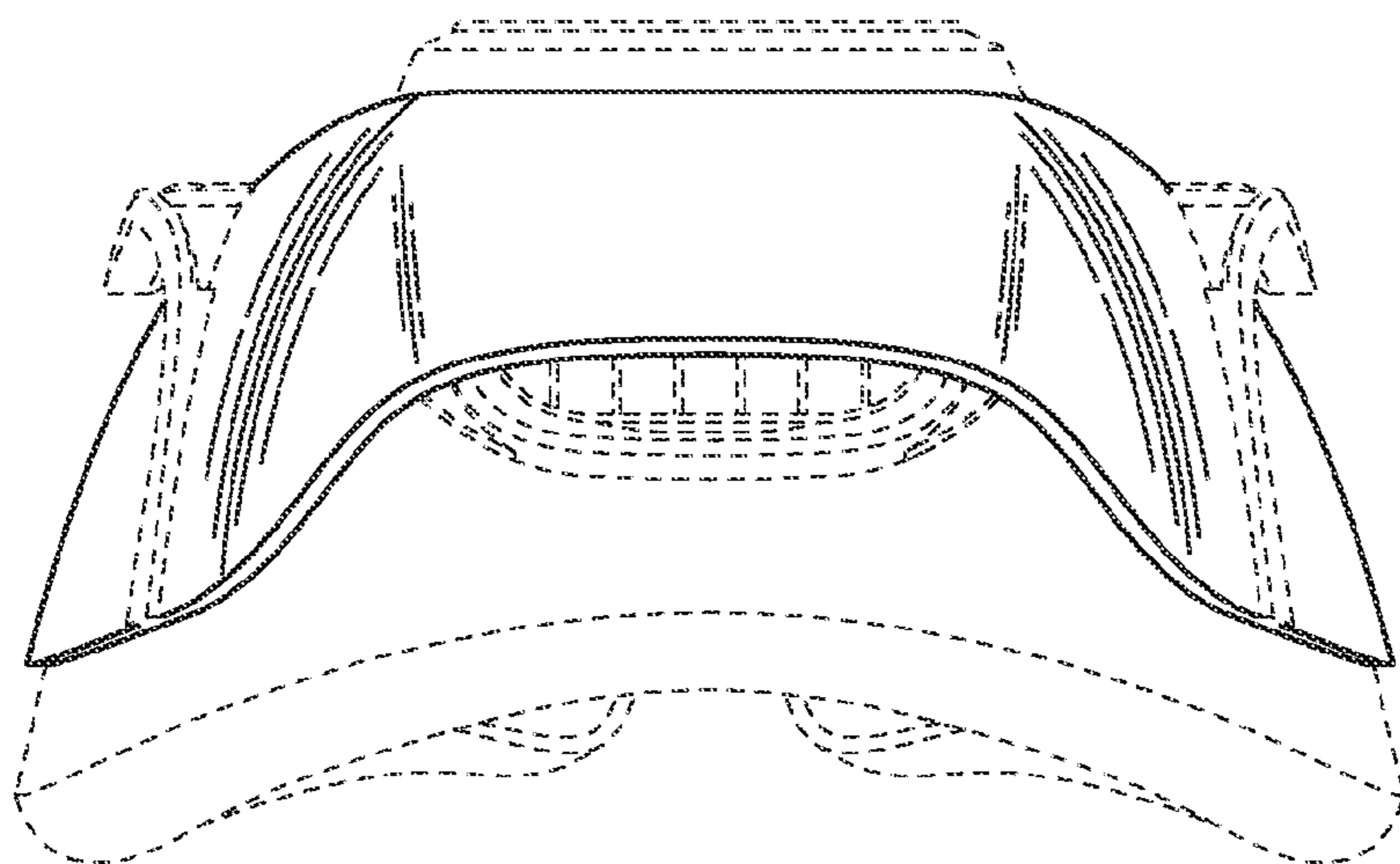
*Fig. 3*



*Fig. 4*



*Fig. 5*



*Fig. 6*