



US00D613849S

(12) **United States Design Patent**  
**Smutney et al.**

(10) **Patent No.:** **US D613,849 S**  
(45) **Date of Patent:** **\*\* Apr. 13, 2010**

(54) **CARTRIDGE FOR A DRY POWDER INHALER**

D604,832 S \* 11/2009 Smutney et al. .... D24/110  
2008/0127970 A1 \* 6/2008 Steiner et al. .... 128/203.14

\* cited by examiner

(75) Inventors: **Chad C. Smutney**, Watertown, CT (US);  
**John M. Polidoro**, Coventry, CT (US);  
**Benoit Adamo**, Mount Kisco, NY (US);  
**P. Spencer Kinsey**, Sandy Hook, CT (US)

*Primary Examiner*—Ian Simmons  
*Assistant Examiner*—Christopher Lee  
(74) *Attorney, Agent, or Firm*—Louis C. Cullman; Brian J. Novak; K&L Gates LLP

(73) Assignee: **MannKind Corporation**, Valencia, CA (US)

(57) **CLAIM**

The ornamental design for a cartridge for a dry powder inhaler, as shown and described.

(\*\*) Term: **14 Years**

(21) Appl. No.: **29/333,230**

**DESCRIPTION**

(22) Filed: **Mar. 4, 2009**

FIG. 1 is a perspective view of our new cartridge for a dry powder inhaler design.

**Related U.S. Application Data**

FIG. 2 is a top view of the cartridge for a dry powder inhaler shown in FIG. 1.

(63) Continuation-in-part of application No. 29/319,776, filed on Jun. 13, 2008, now Pat. No. Des. 605,753.

FIG. 3 is a bottom view of the cartridge for a dry powder inhaler shown in FIG. 1.

(51) **LOC (9) Cl.** ..... **29-02**

(52) **U.S. Cl.** ..... **D24/110**

(58) **Field of Classification Search** ..... D24/110;  
128/200.23, 200.12, 200.14, 200.21, 205.23,  
128/203.12, 203.15

FIG. 4 is a back view of the cartridge for a dry powder inhaler shown in FIG. 1.

See application file for complete search history.

FIG. 5 is a front view of the cartridge for a dry powder inhaler shown in FIG. 1; and,

FIG. 6 is a side view of the cartridge for a dry powder inhaler shown in FIG. 1.

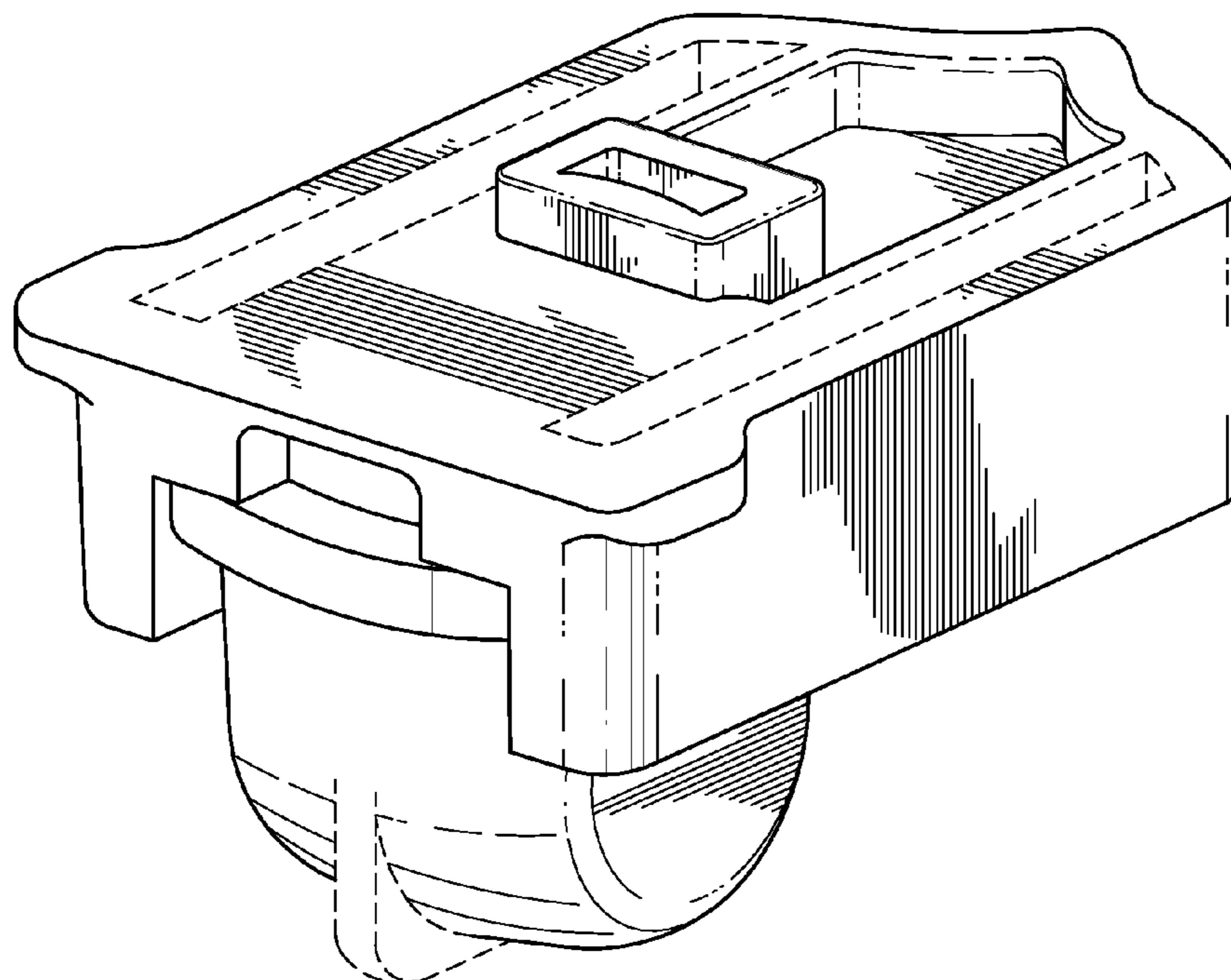
(56) **References Cited**

**U.S. PATENT DOCUMENTS**

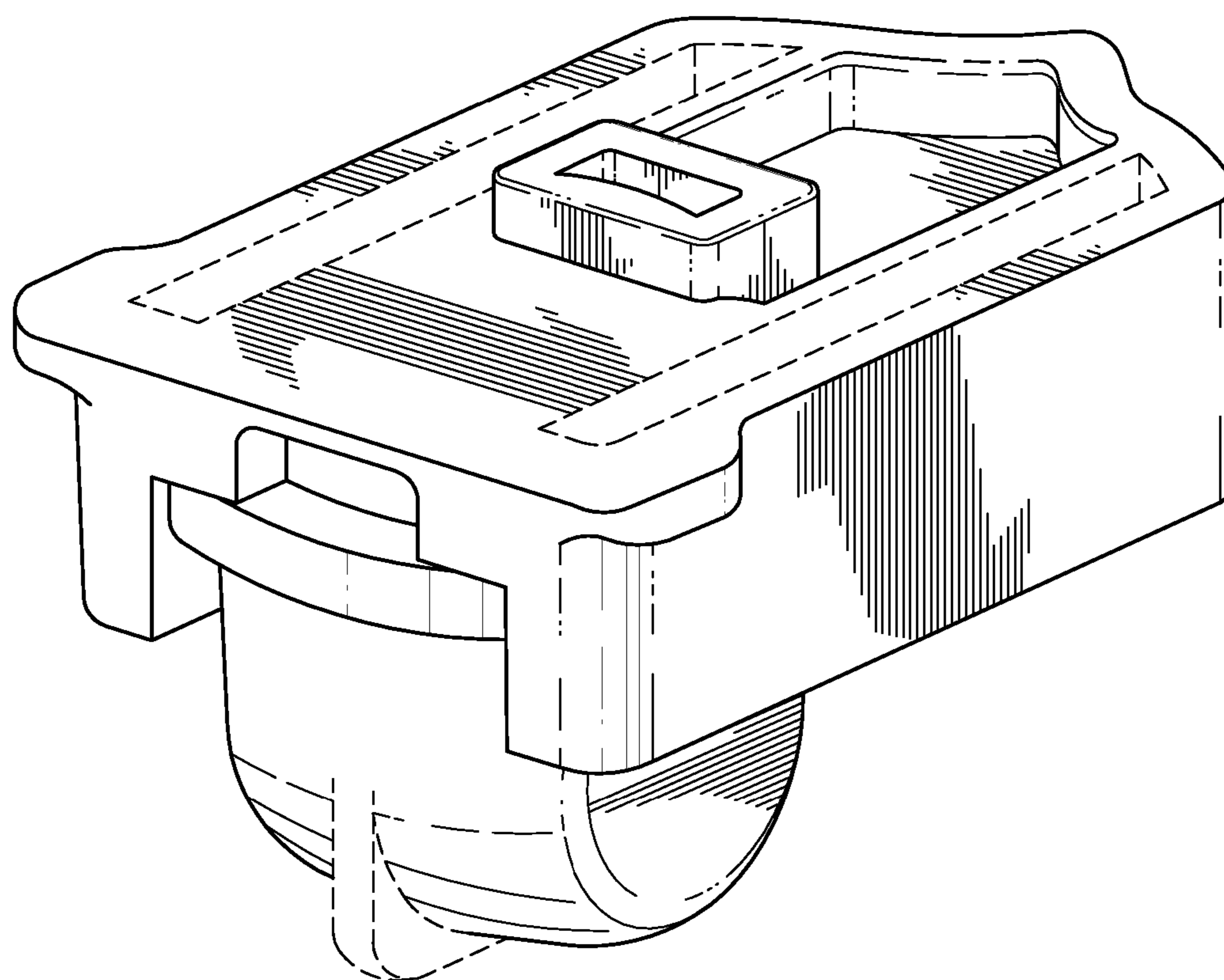
5,657,748 A \* 8/1997 Braithwaite ..... 128/203.15  
7,258,118 B2 \* 8/2007 Goede et al. .... 128/203.19

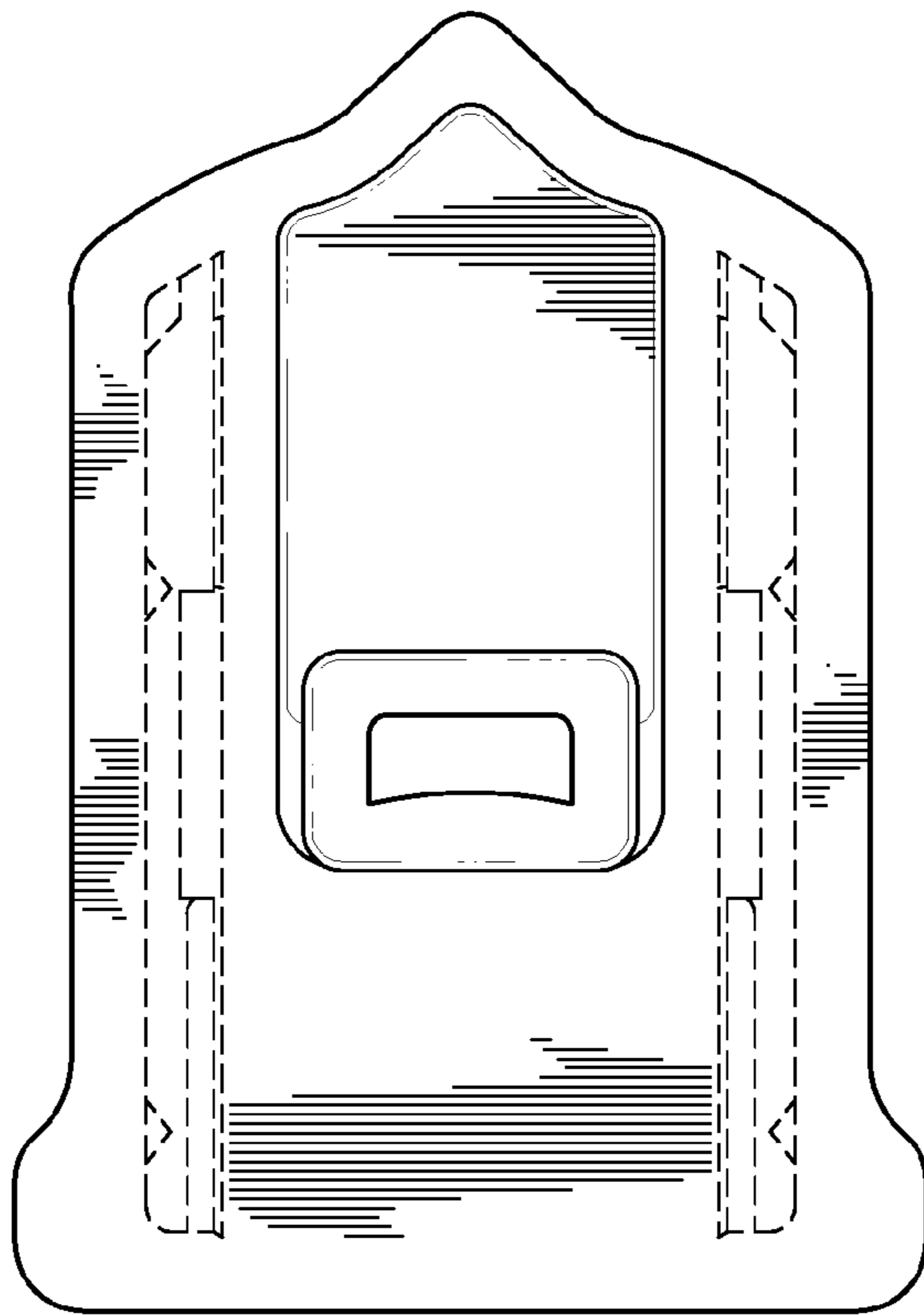
The broken lines are included for the purpose of illustrating environmental structure of the cartridge for a dry powder inhaler that forms no part of the claimed design.

**1 Claim, 3 Drawing Sheets**

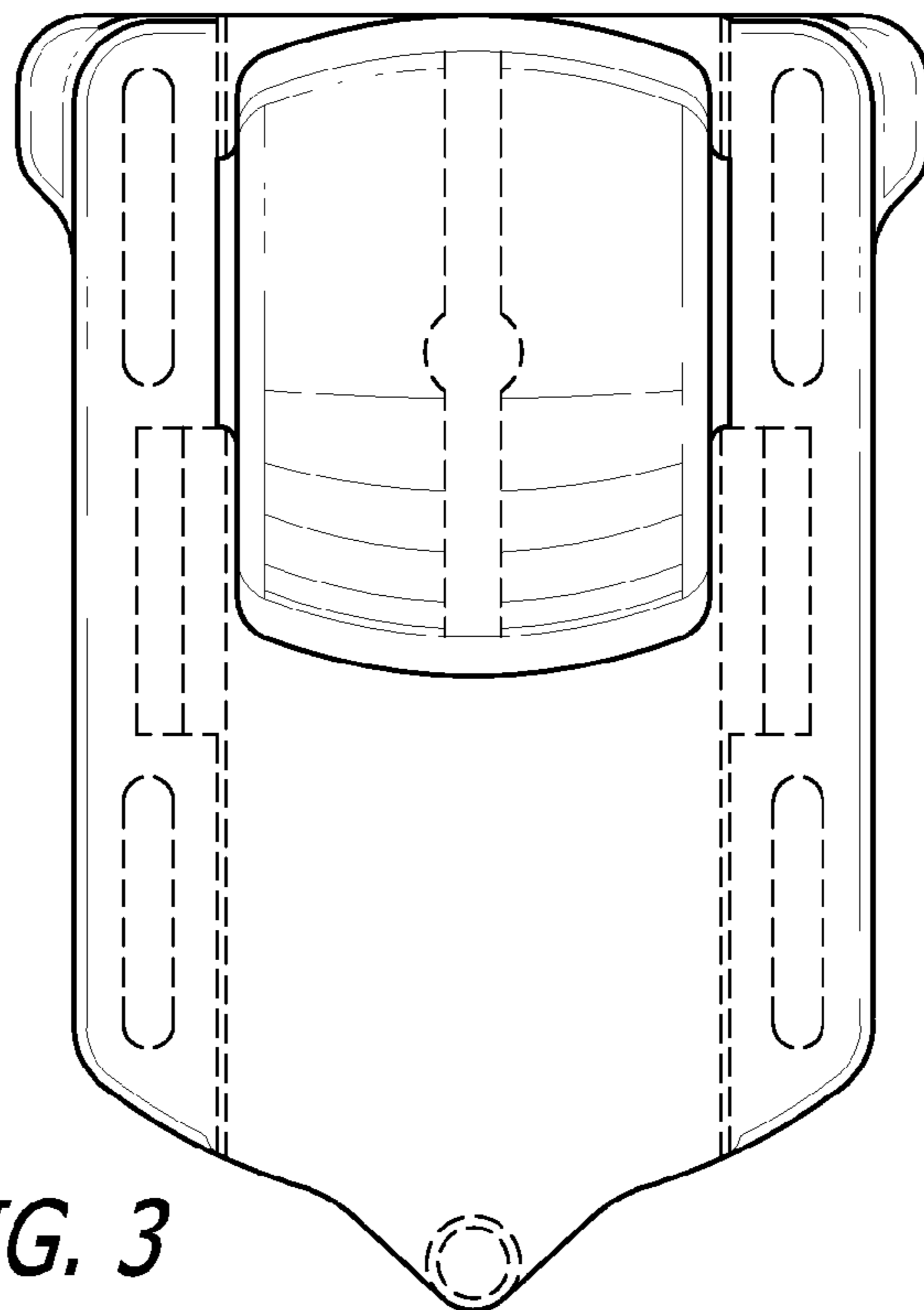


*FIG. 1*

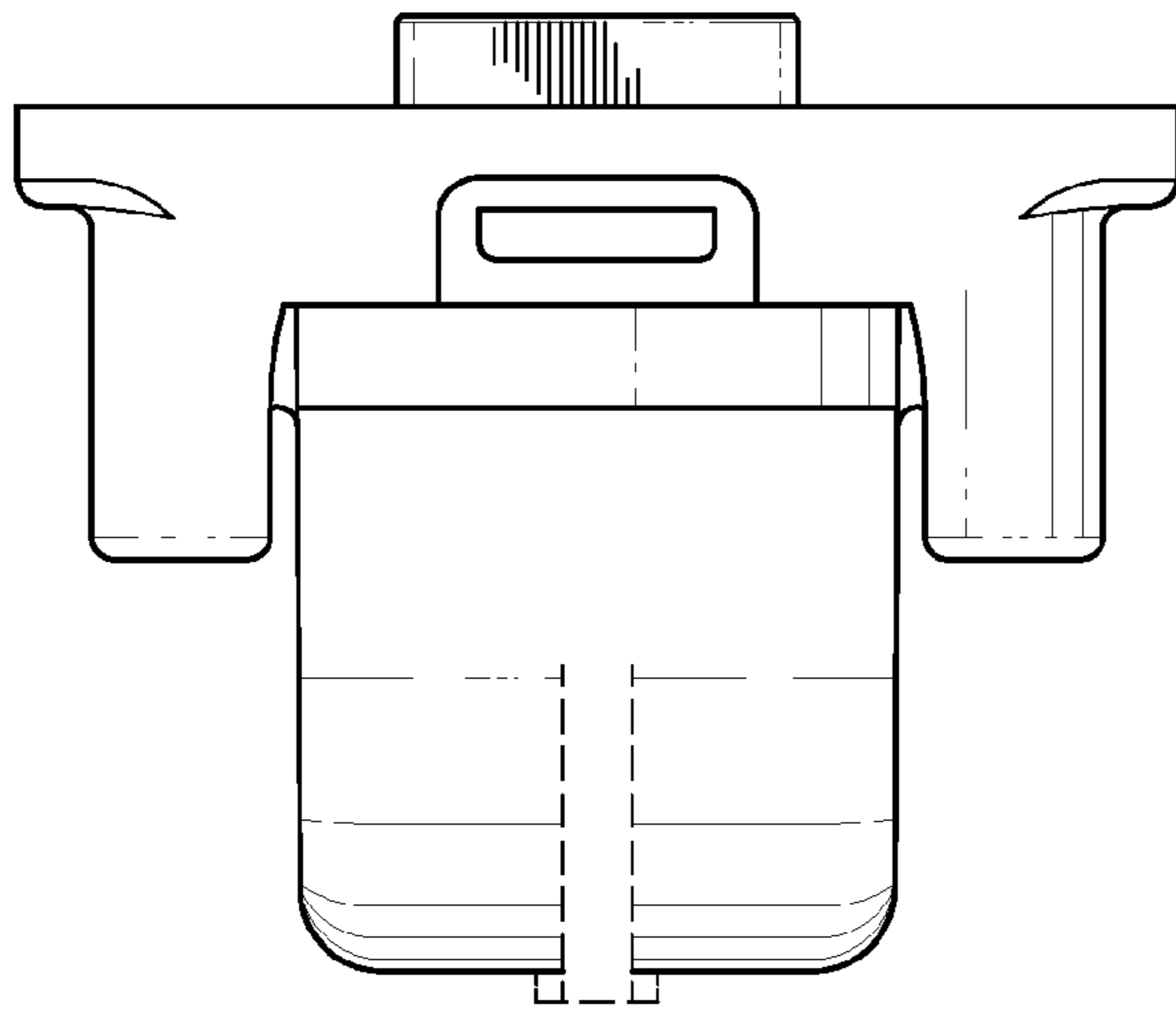




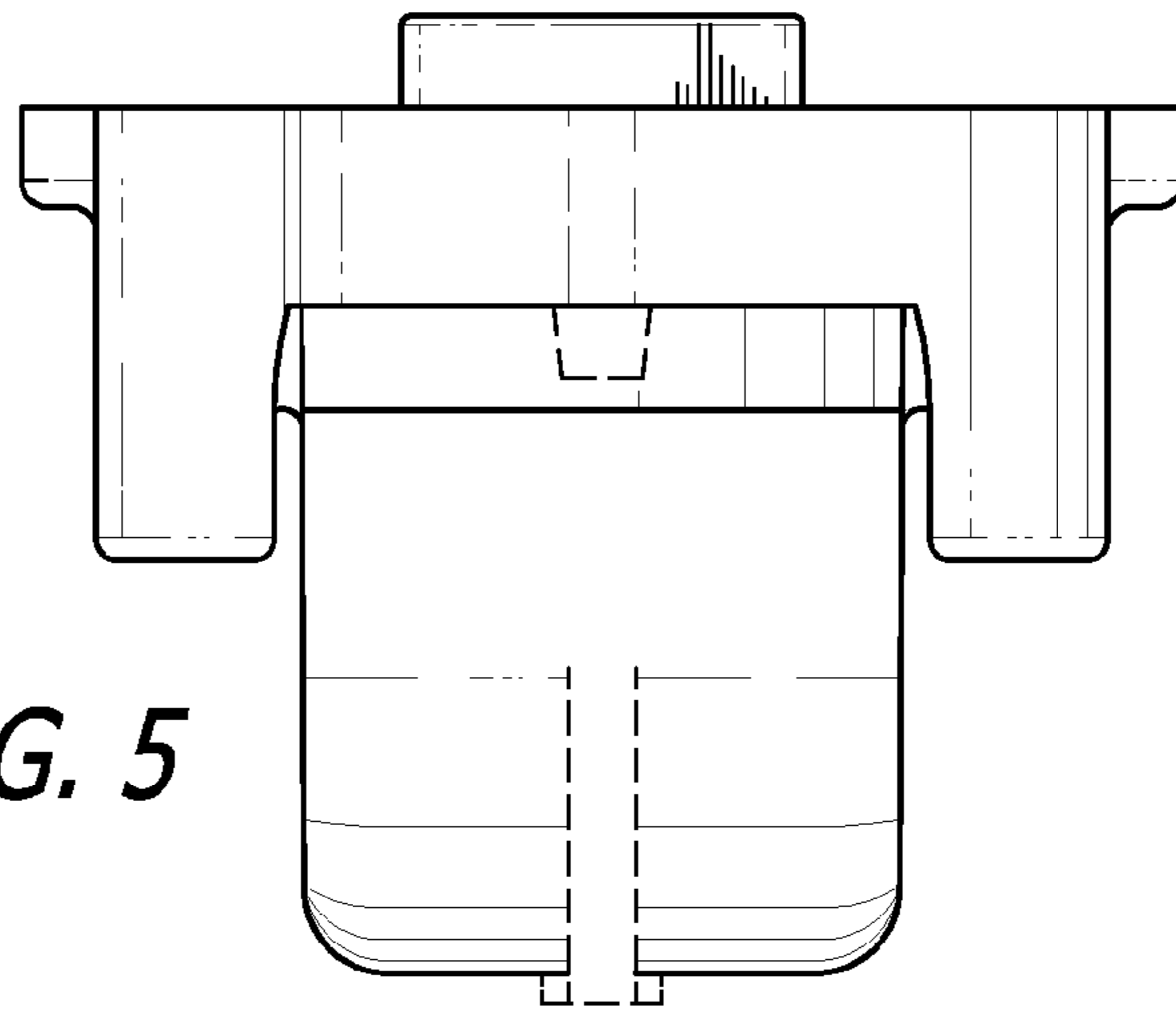
*FIG. 2*



*FIG. 3*



*FIG. 4*



*FIG. 5*

*FIG. 6*

