



US00D613847S

(12) **United States Design Patent**  
**Shurtleff**

(10) **Patent No.:** **US D613,847 S**

(45) **Date of Patent:** **\*\* Apr. 13, 2010**

(54) **FAN BLADE BRACKET**

(75) Inventor: **Mark L. Shurtleff**, Long Beach, CA  
(US)

(73) Assignee: **Air Cool Industrial Co., Ltd.**, Taichung  
County (TW)

(\*\*) Term: **14 Years**

(21) Appl. No.: **29/346,344**

(22) Filed: **Oct. 30, 2009**

(51) **LOC (9) Cl.** ..... **23-04**

(52) **U.S. Cl.** ..... **D23/411**

(58) **Field of Classification Search** ..... D23/377,  
D23/379, 385, 411, 413; 416/5

See application file for complete search history.

(56) **References Cited**

**U.S. PATENT DOCUMENTS**

D551,756 S \* 9/2007 Ertze ..... D23/411  
D568,983 S \* 5/2008 Pan ..... D23/411

\* cited by examiner

*Primary Examiner*—Lisa P Lichtenstein

(74) *Attorney, Agent, or Firm*—Ming Chow; Sinorica, LLC

(57) **CLAIM**

I claim the ornamental design for a fan blade bracket, as shown and described.

**DESCRIPTION**

FIG. 1 is a front perspective view of a fan blade bracket showing my new design;

FIG. 2 is a front elevational view thereof;

FIG. 3 is a rear elevational view thereof.

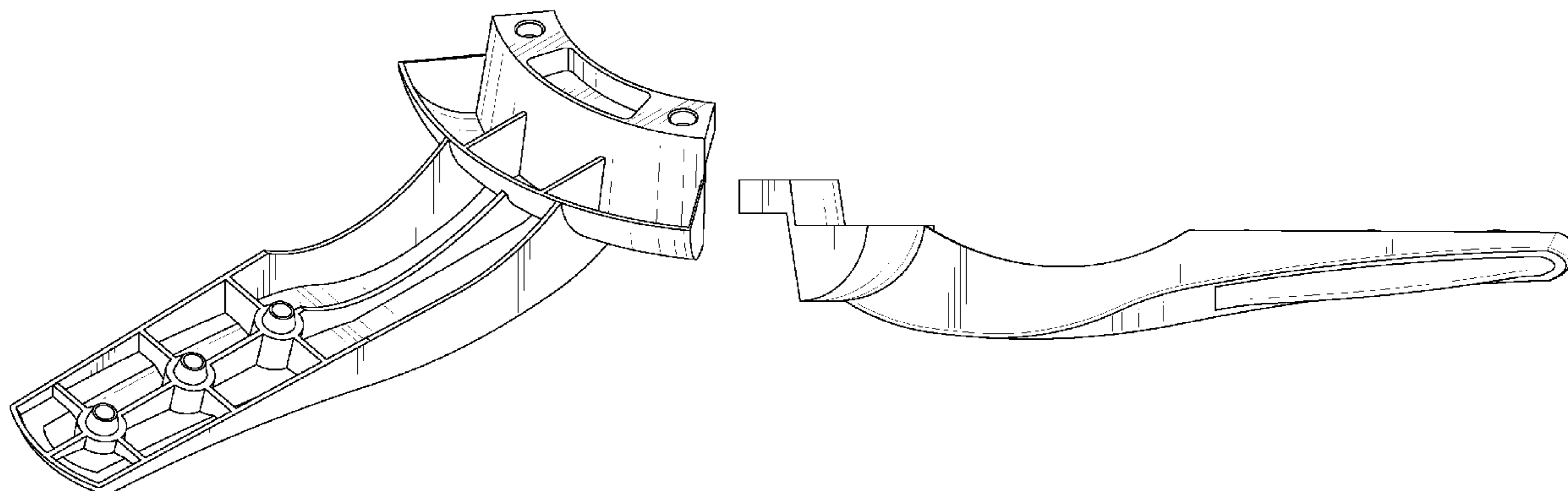
FIG. 4 is a left side elevational view thereof;

FIG. 5 is a right side elevational view thereof;

FIG. 6 is a top plan view thereof; and,

FIG. 7 is a bottom plan view thereof.

**1 Claim, 4 Drawing Sheets**



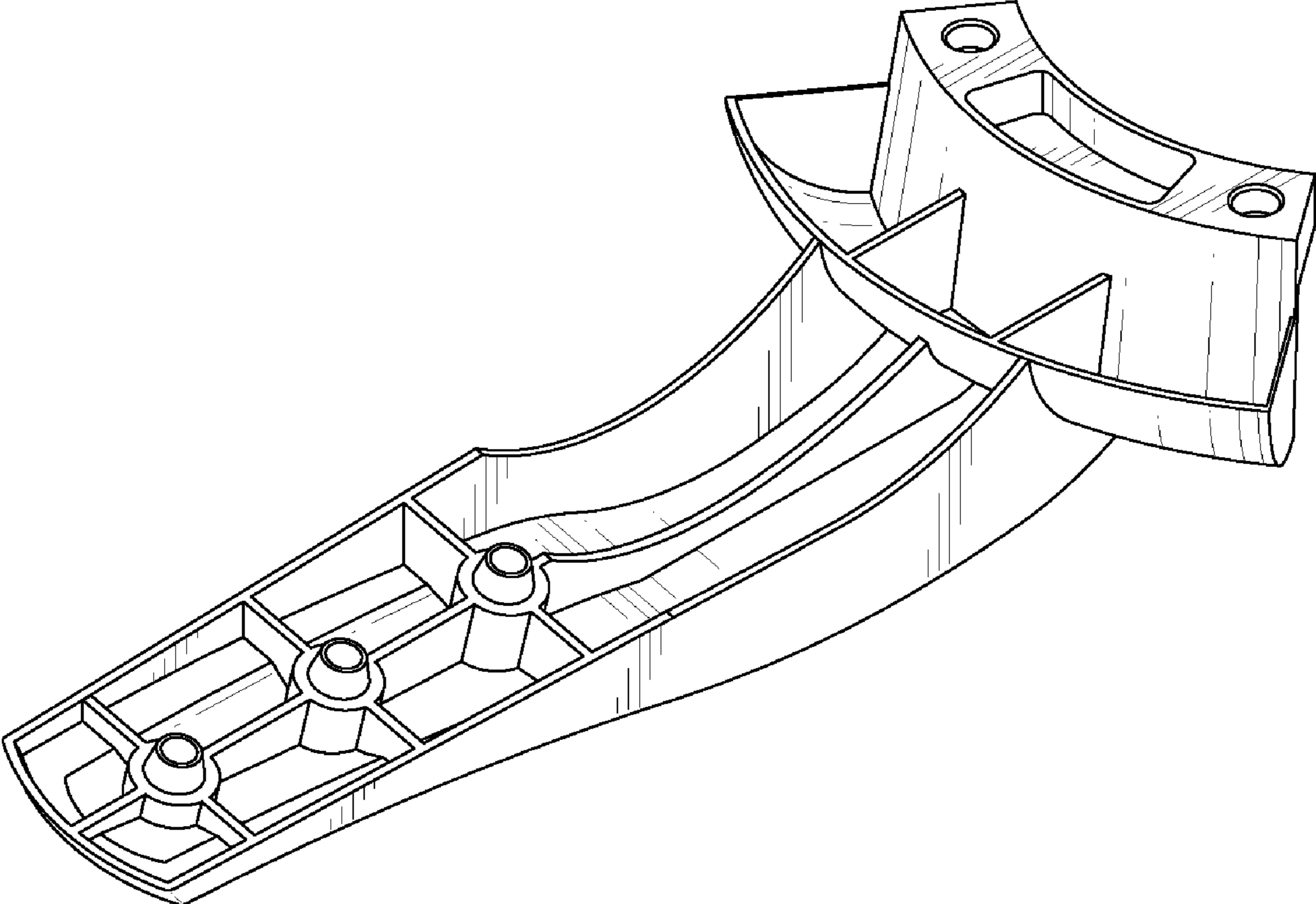


FIG. 1

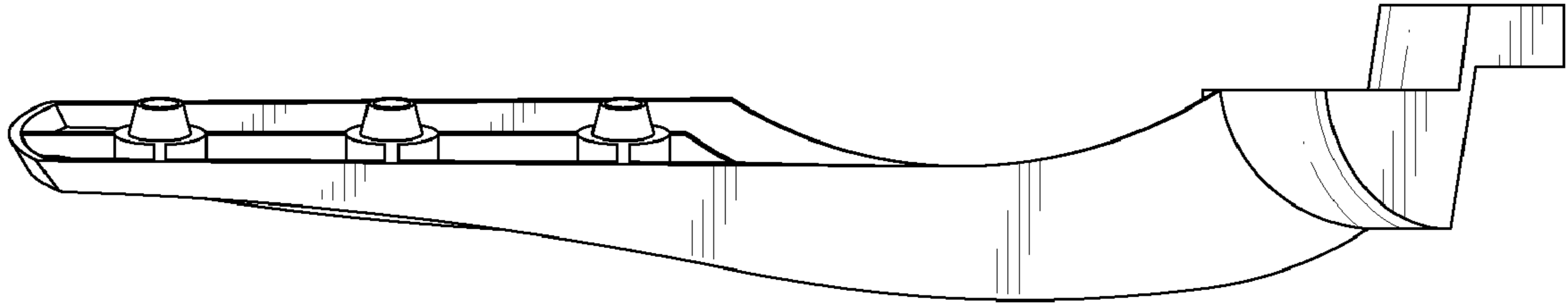


FIG. 2

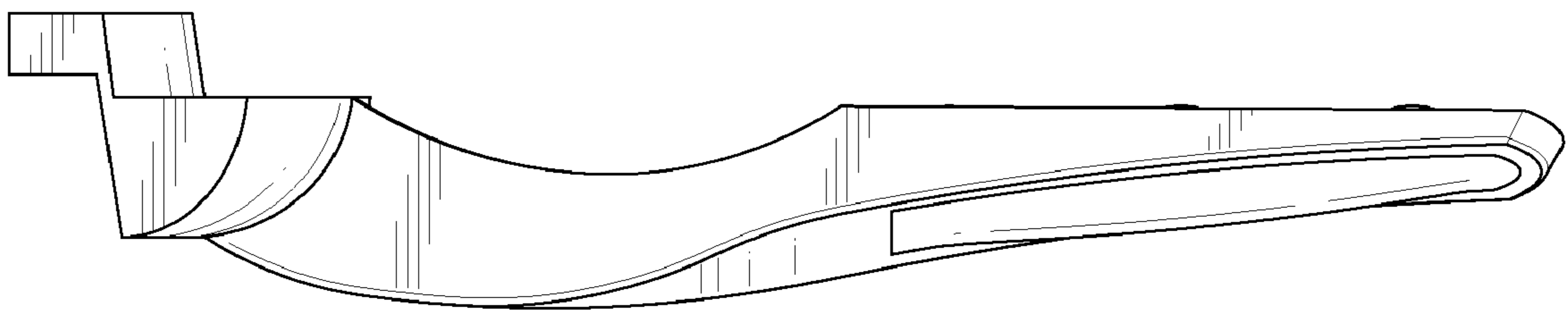


FIG. 3

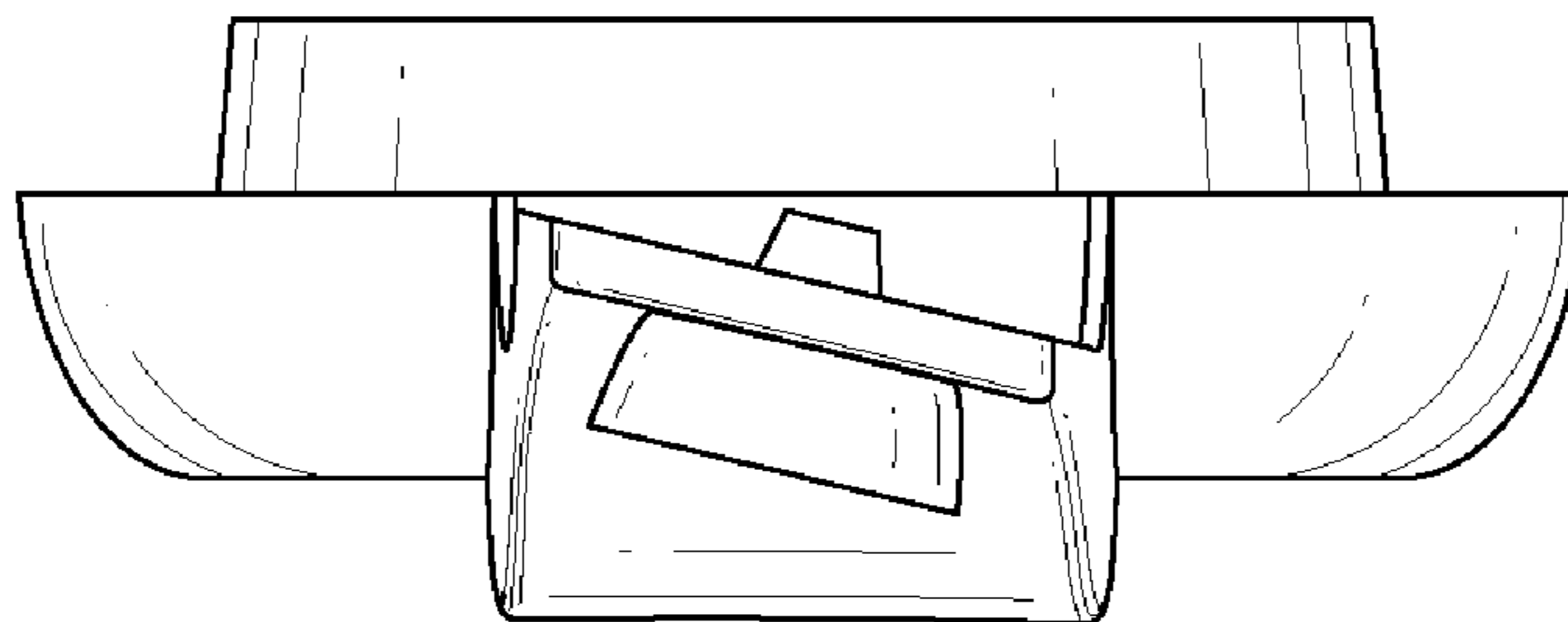


FIG. 4

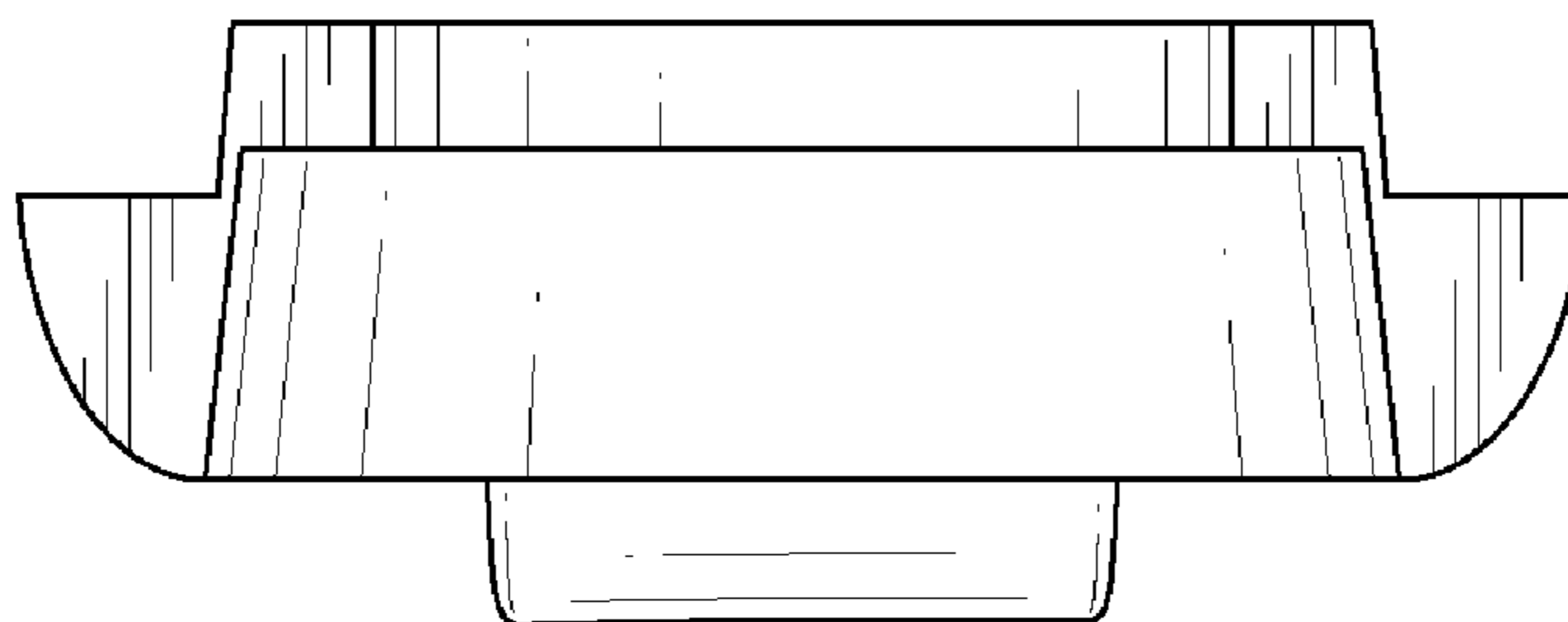


FIG. 5

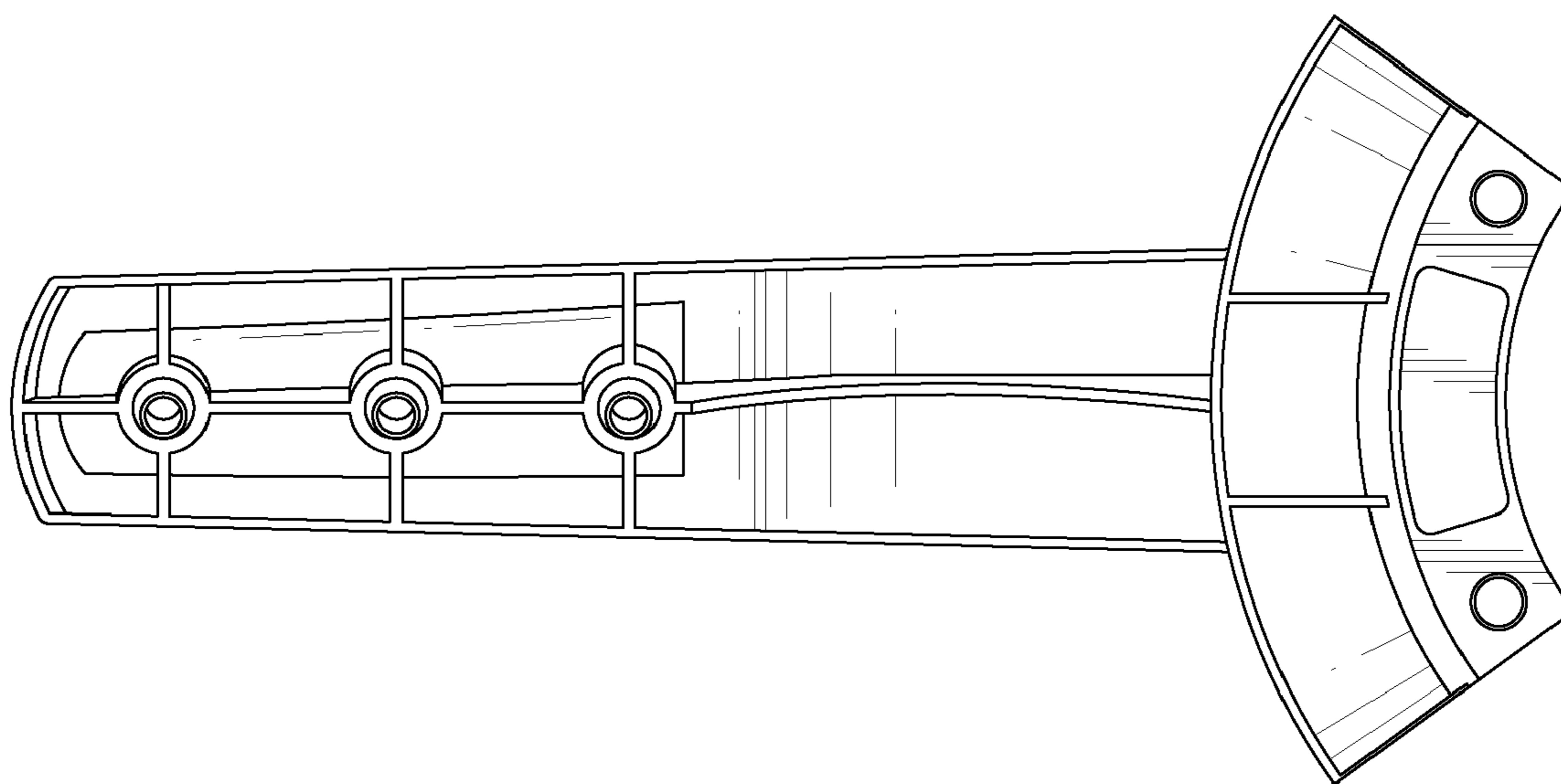


FIG. 6

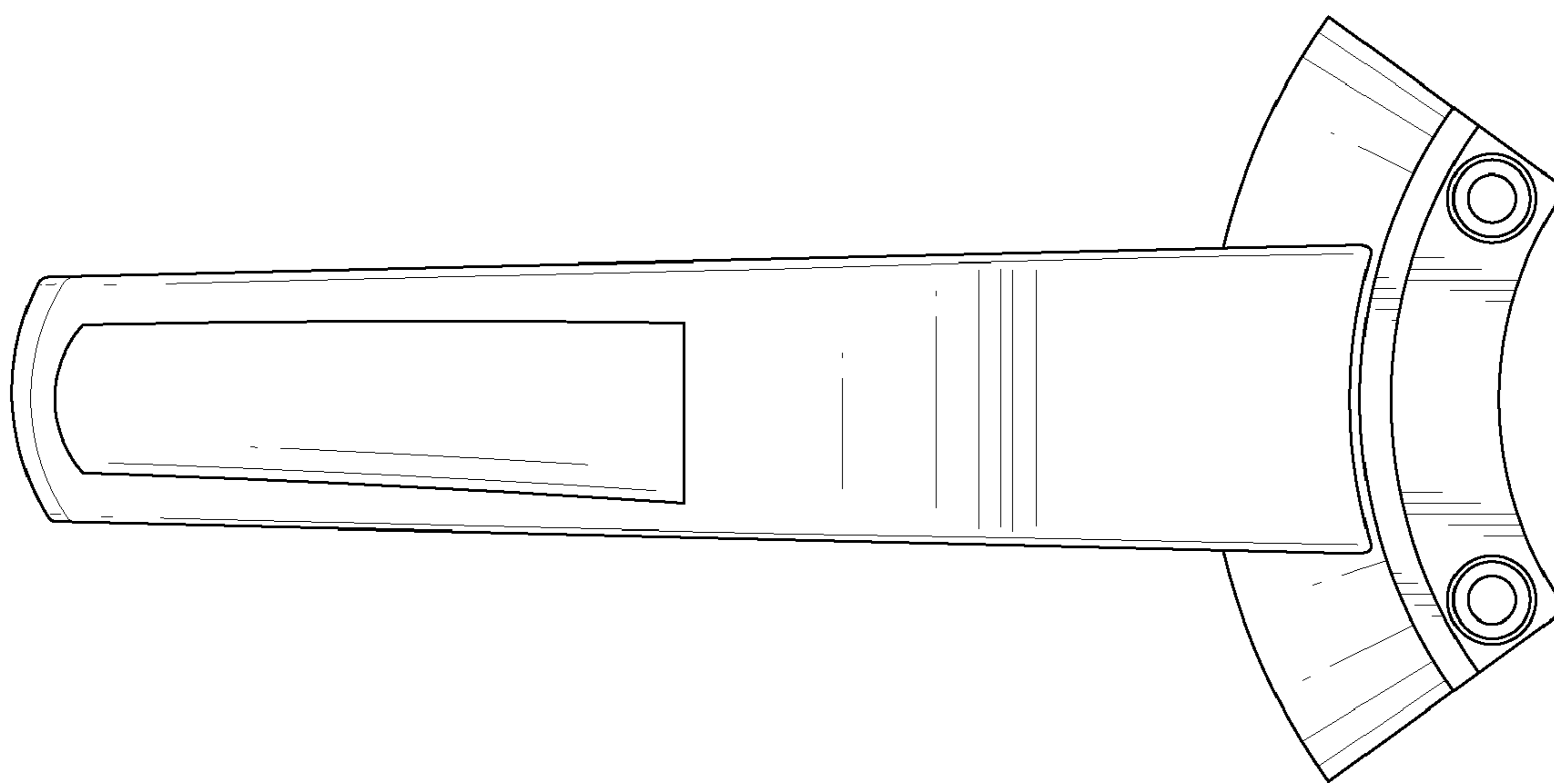


FIG. 7