



US00D613842S

(12) **United States Design Patent**  
**Yamashita**

(10) **Patent No.:** **US D613,842 S**  
(45) **Date of Patent:** **\*\* Apr. 13, 2010**

(54) **AIR CONDITIONER**

(75) Inventor: **Mana Yamashita**, Kusatsu (JP)

(73) Assignee: **Daikin Industries Ltd.**, Osaka (JP)

(\*\*) Term: **14 Years**

(21) Appl. No.: **29/347,191**

(22) Filed: **Oct. 20, 2009**

(30) **Foreign Application Priority Data**

Apr. 24, 2009 (JP) ..... 2009-009644

(51) **LOC (9) Cl.** ..... **23-04**

(52) **U.S. Cl.** ..... **D23/351**

(58) **Field of Classification Search** ..... D23/351-354,  
D23/385, 355, 357, 361; 312/236; 62/259.1,  
62/259.4, 262-263, 304; 454/330-331, 349-350  
See application file for complete search history.

(56) **References Cited**

**U.S. PATENT DOCUMENTS**

D529,595 S *	10/2006	Ueno et al.	.....	D23/351
D553,721 S *	10/2007	Seki et al.	.....	D23/351
D565,158 S *	3/2008	Nagahori	.....	D23/351
D579,095 S *	10/2008	Nagahori et al.	.....	D23/351
D580,037 S *	11/2008	Seki et al.	.....	D23/351
D580,038 S *	11/2008	Seki et al.	.....	D23/351
D584,806 S *	1/2009	Oh et al.	.....	D23/351
D593,666 S *	6/2009	Nakamura	.....	D23/351

D599,455 S *	9/2009	Alexanderson	.....	D23/351
D605,265 S *	12/2009	Nakamura et al.	.....	D23/351
D605,266 S *	12/2009	Nakamura et al.	.....	D23/351
D605,267 S *	12/2009	Nakamura et al.	.....	D23/351

\* cited by examiner

*Primary Examiner*—Brian N Vinson

(74) *Attorney, Agent, or Firm*—Manabu Kanesaka

(57) **CLAIM**

The ornamental design for an air conditioner, as shown and described.

**DESCRIPTION**

FIG. 1 is a perspective view of an air conditioner showing my new design;

FIG. 2 is a front view thereof;

FIG. 3 is a rear view thereof;

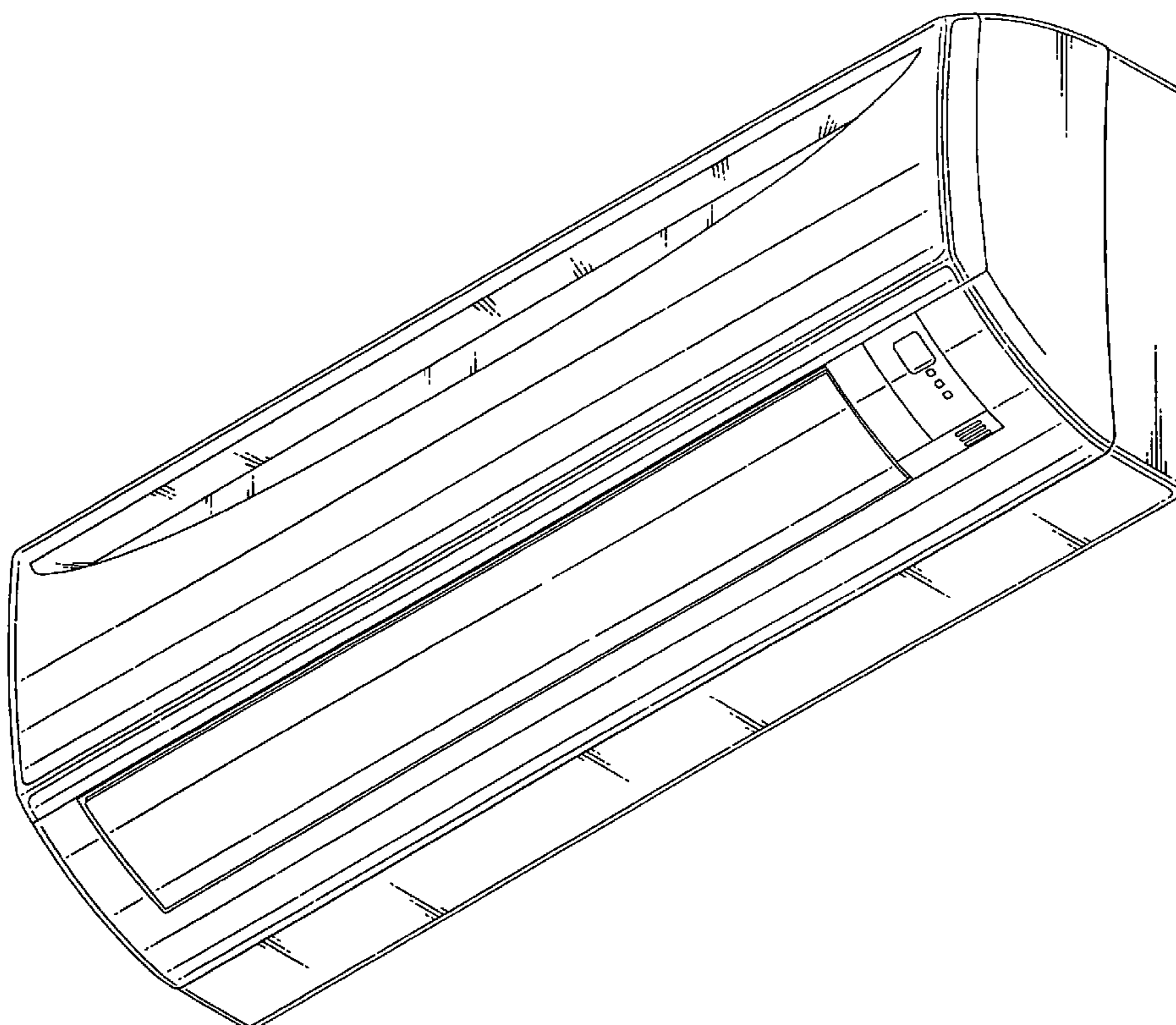
FIG. 4 is a plan view thereof;

FIG. 5 is a bottom view thereof;

FIG. 6 is a right side view thereof, a left side view being symmetrical to the right side view; and,

FIG. 7 is a sectional view thereof taken along line 7—7 in FIG. 2. The broken-line disclosure of internal elements being understood to comprise part of the article in which the claimed design is embodied, but which forms no part of the claimed design.

**1 Claim, 5 Drawing Sheets**



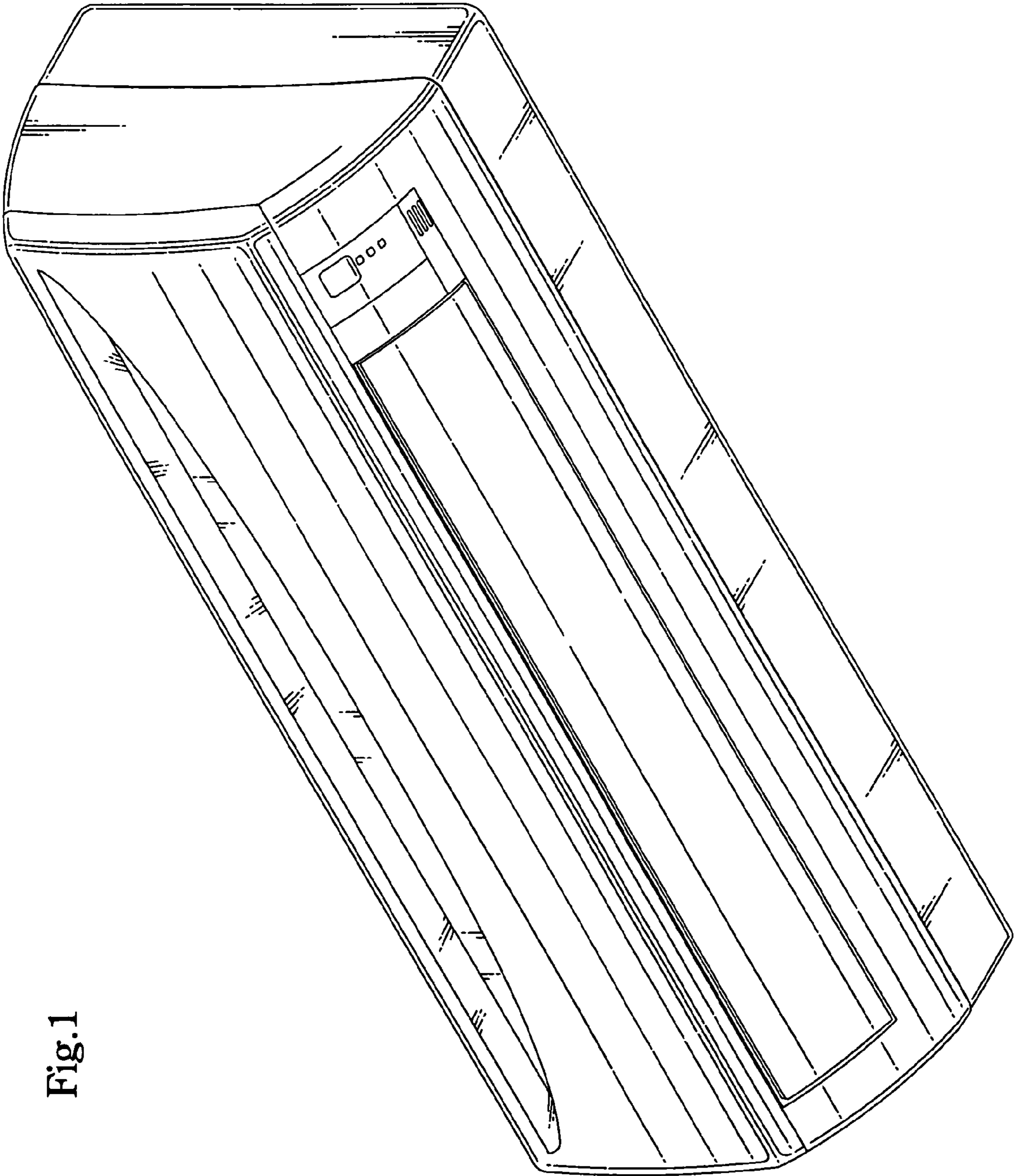


Fig.1

Fig.2

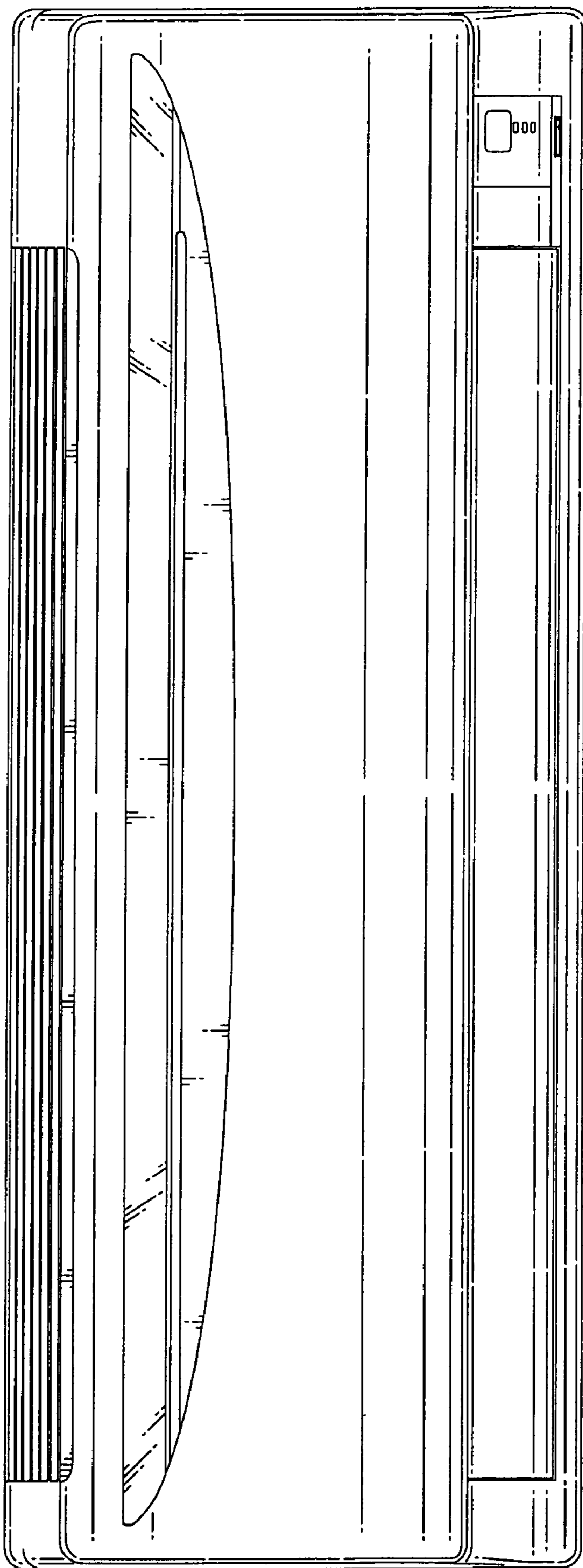


Fig.3

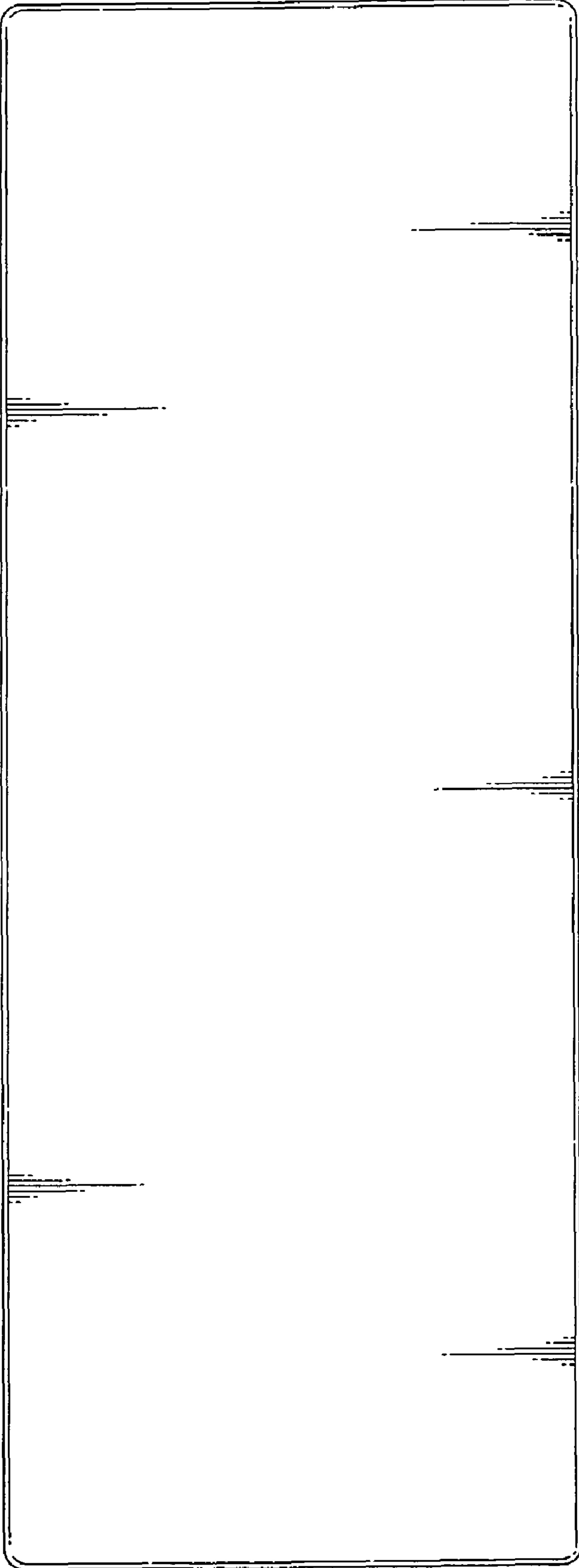


Fig.4

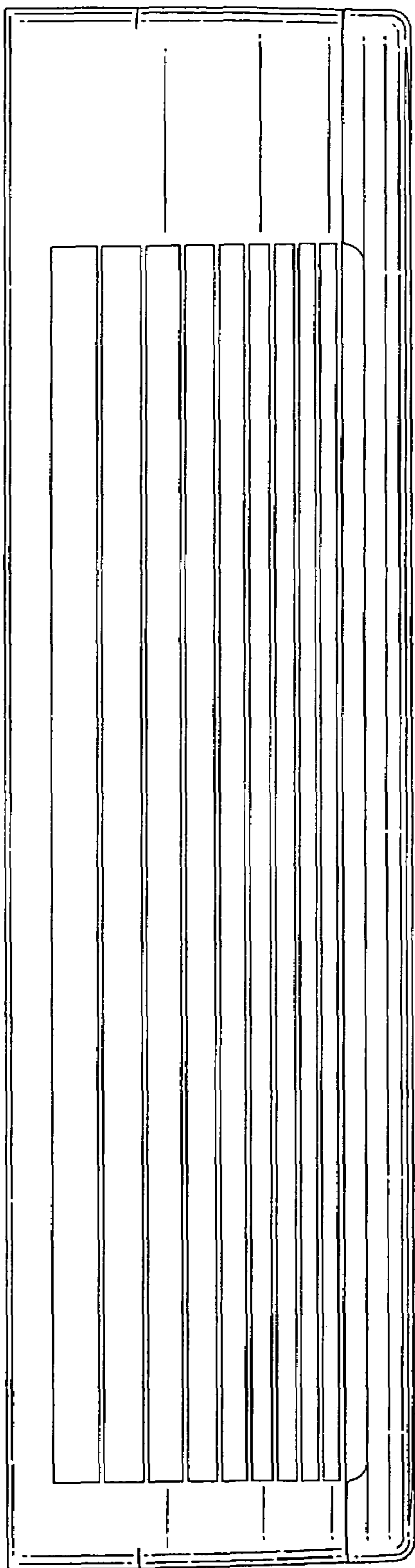


Fig.5

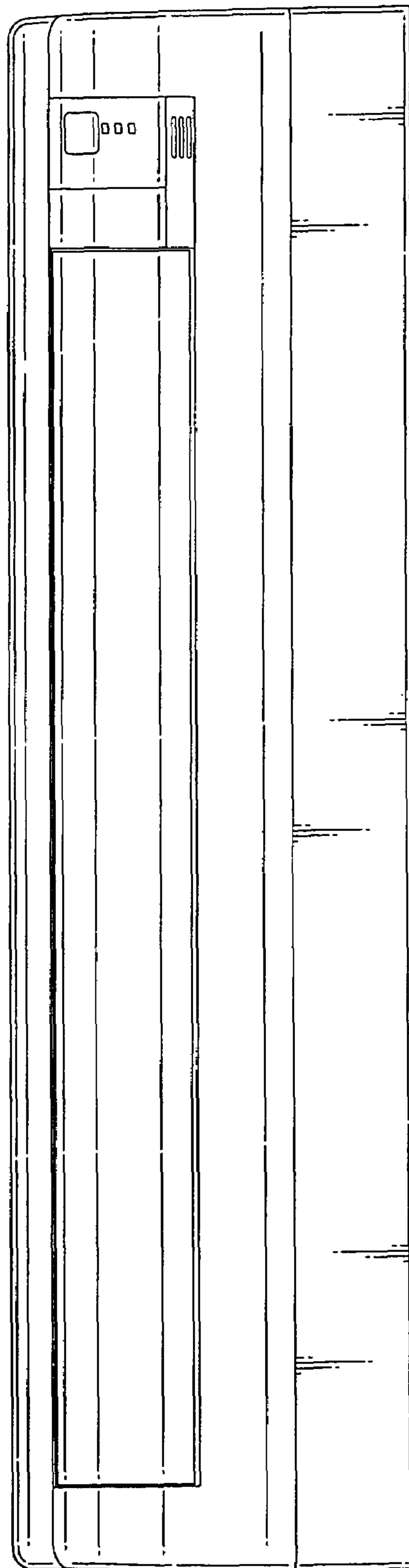


Fig.7

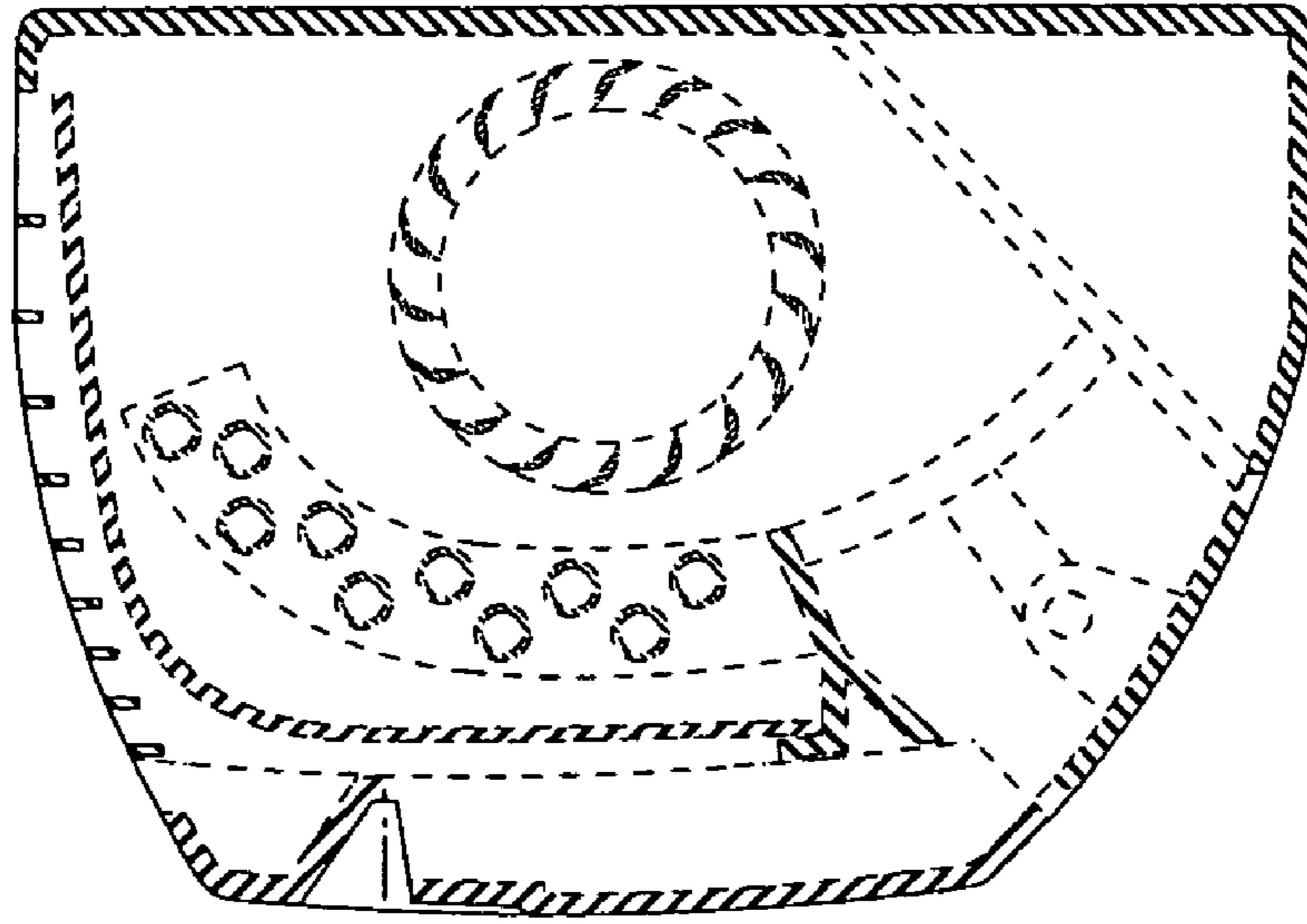


Fig.6

