



US00D613841S

(12) **United States Design Patent**  
**Bhatti**

(10) **Patent No.:** **US D613,841 S**

(45) **Date of Patent:** **\*\* Apr. 13, 2010**

(54) **HEAT EXCHANGER**

(75) Inventor: **Mohinder Singh Bhatti**, Williamsville,  
NY (US)

(73) Assignee: **Delphi Technologies, Inc.**, Troy, MI  
(US)

(\*\*) Term: **14 Years**

(21) Appl. No.: **29/334,877**

(22) Filed: **Apr. 3, 2009**

(51) **LOC (9) Cl.** ..... **23-03**

(52) **U.S. Cl.** ..... **D23/323**

(58) **Field of Classification Search** ..... D23/317,  
D23/314, 332, 333, 334, 335, 337, 342, 351,  
D23/355, 378, 370, 381, 364, 336, 341, 323,  
D23/330; 416/244 R, 247 R, 53.1-53.3;  
392/365, 367; D13/199, 179

See application file for complete search history.

(56) **References Cited**

U.S. PATENT DOCUMENTS

D271,711 S \* 12/1983 Stewart ..... D23/403

\* cited by examiner

*Primary Examiner*—T. Chase Nelson

*Assistant Examiner*—Ania K Dworzecka

(74) *Attorney, Agent, or Firm*—Patrick M. Griffin

(57) **CLAIM**

An ornamental design for a heat exchanger, as shown and described.

**DESCRIPTION**

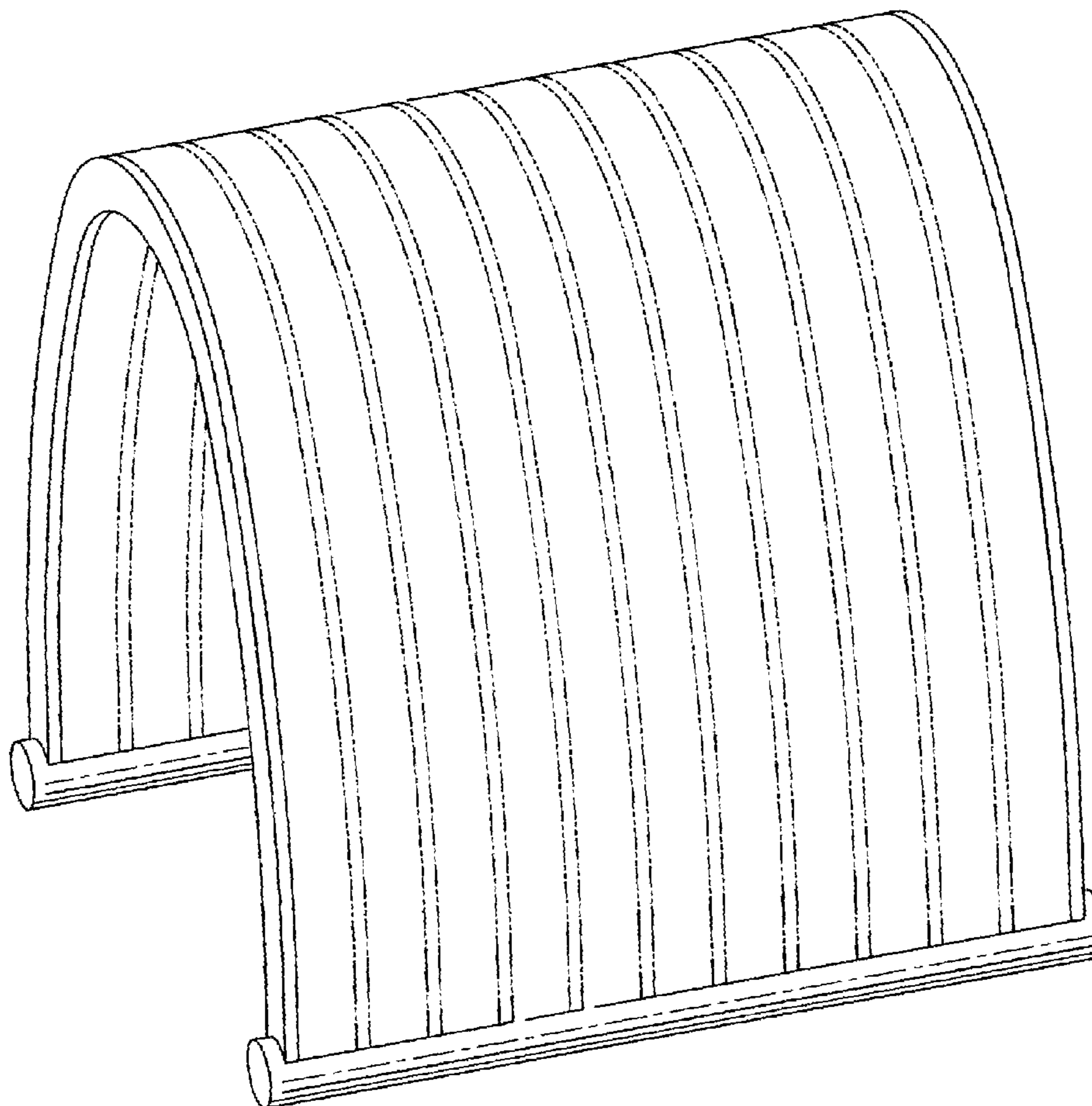
FIG. 1 is a front view of a heat exchanger showing my new design;

FIG. 2 is a top plan view thereof;

FIG. 3 is a left side view thereof (mirror image on the right side); and,

FIG. 4 is a perspective view showing my design.

**1 Claim, 3 Drawing Sheets**



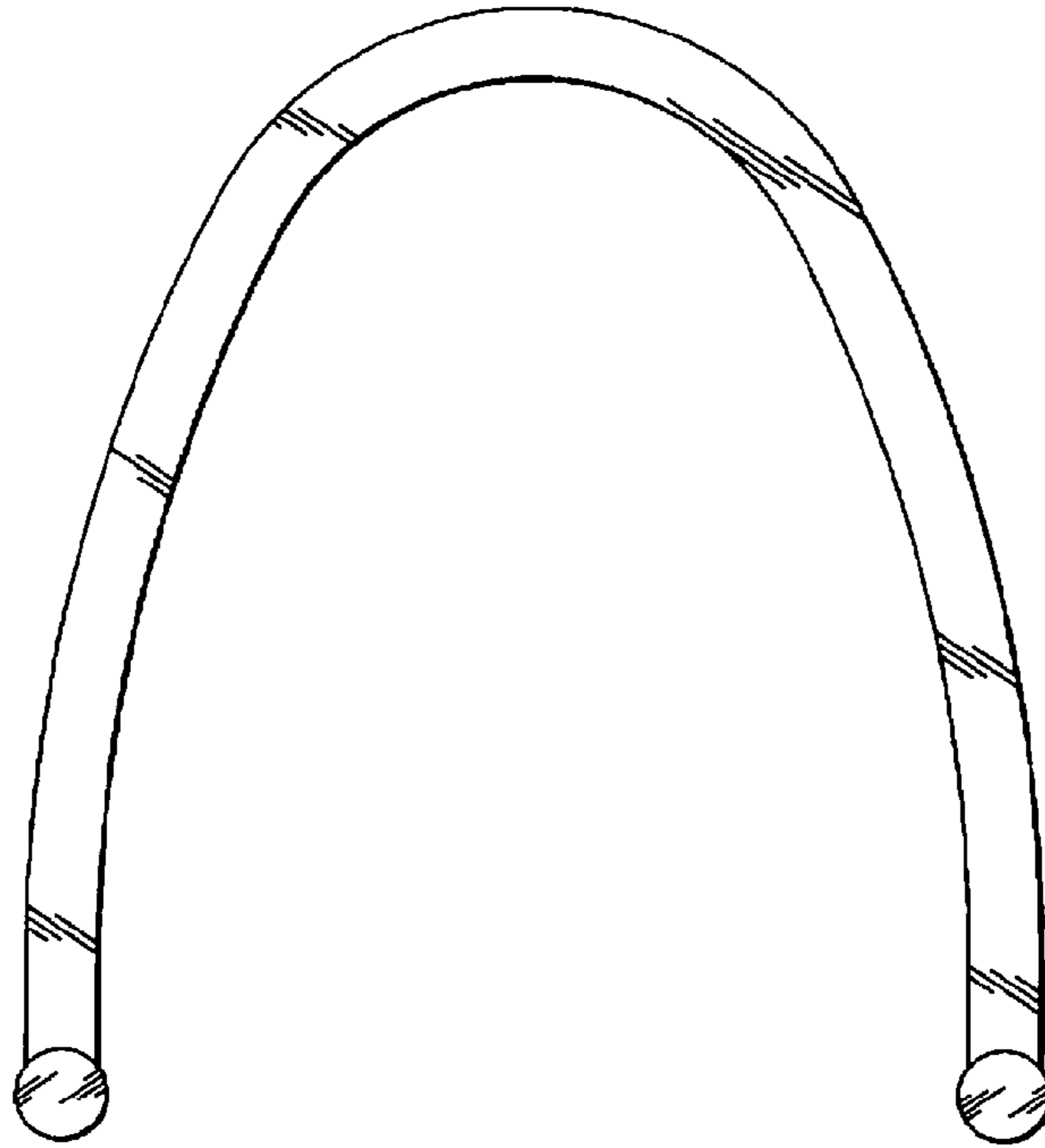


FIG. 1

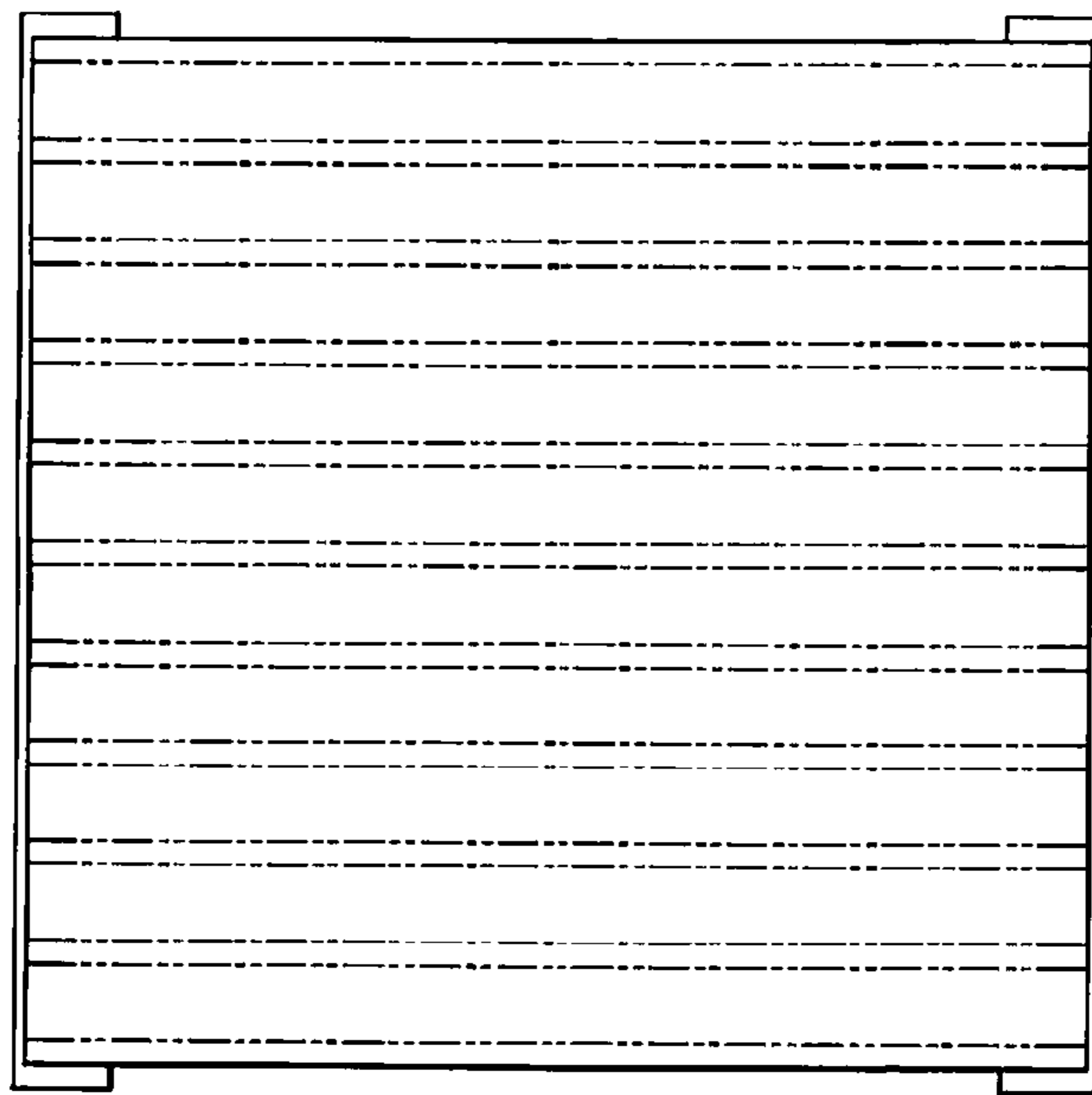
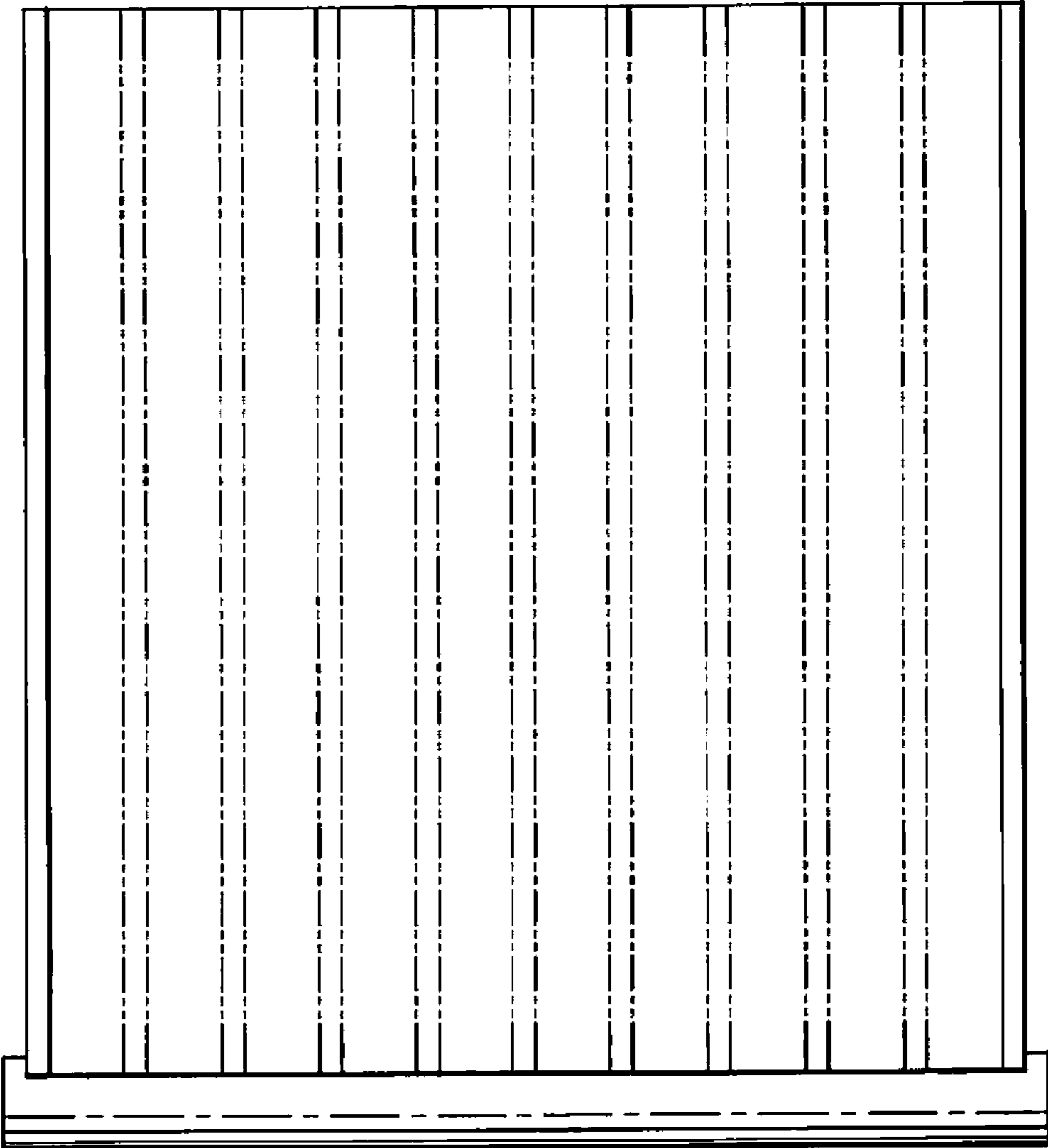


FIG. 2



**FIG. 3**

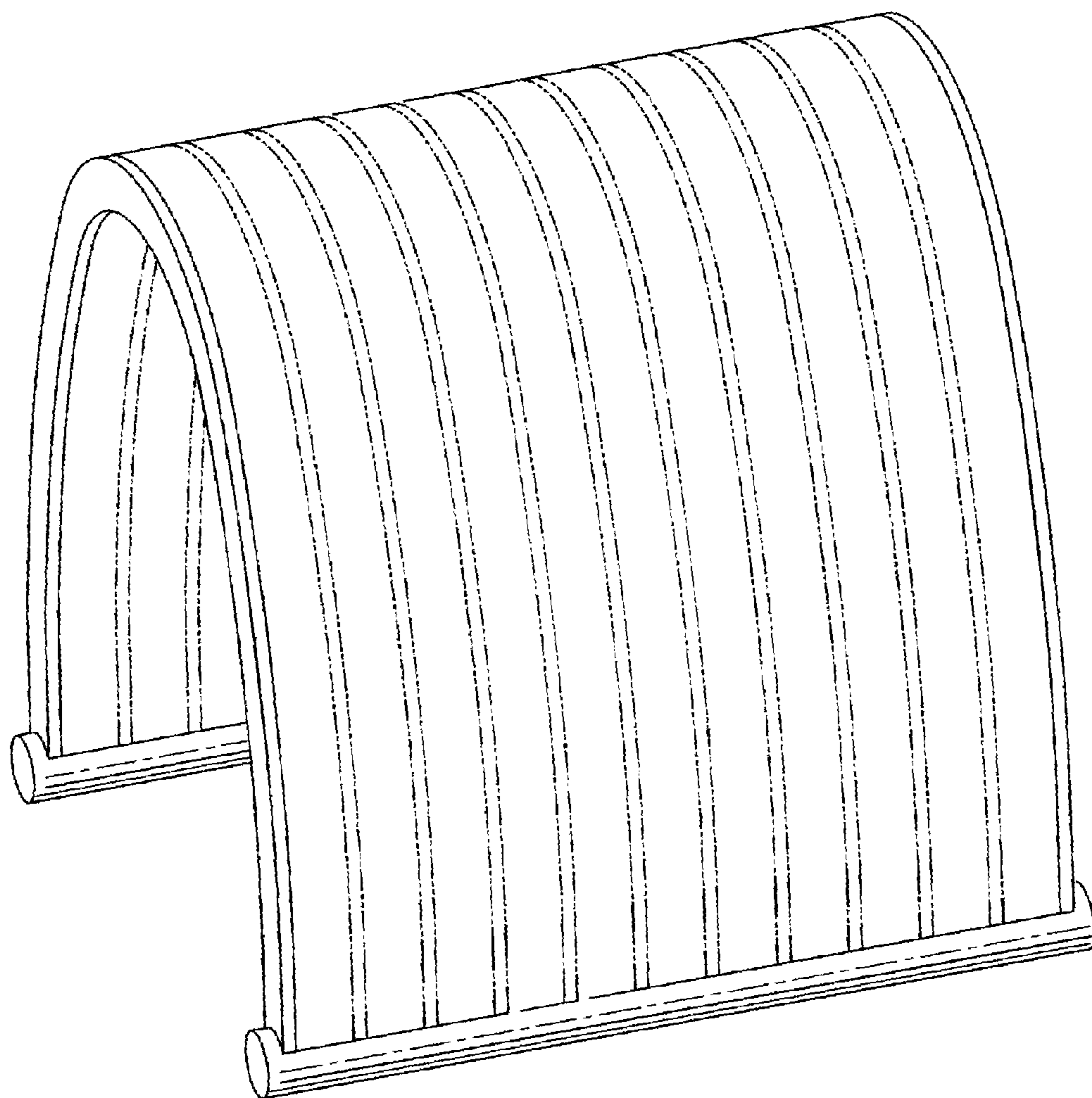


FIG. 4