



US00D613839S

(12) **United States Design Patent**
Hisey

(10) **Patent No.:** **US D613,839 S**

(45) **Date of Patent:** **** Apr. 13, 2010**

(54) **SHOWER BASE**

(75) Inventor: **Christopher B. Hisey**, Plymouth, WI
(US)

(73) Assignee: **Kohler Co.**, Kohler, WI (US)

(**) Term: **14 Years**

(21) Appl. No.: **29/340,501**

(22) Filed: **Jul. 20, 2009**

Related U.S. Application Data

(62) Division of application No. 29/303,133, filed on Feb. 1, 2008, now Pat. No. Des. 596,722.

(51) **LOC (9) Cl.** **23-02**

(52) **U.S. Cl.** **D23/304**

(58) **Field of Classification Search** D23/275,
D23/273, 279, 283, 303-306; 4/552, 556-557,
4/596-597, 607, 610, 900

See application file for complete search history.

(56) **References Cited**

U.S. PATENT DOCUMENTS

D196,290 S * 9/1963 King D23/283
D351,019 S * 9/1994 Moore et al. D23/283
D541,913 S * 5/2007 Piatt D23/304

OTHER PUBLICATIONS

Duravit. Technical Drawings for Shower Tray. Duravit online catalog.

Duravit. "Shower Tray". Model No. 720048. Duravit online catalog.

Kohler Co. "Purist Receptor". Model No. K-9026-96 and K9026-96/K-9027-NA. Kohler.com online catalog. Copyright 2007 Kohler Co.

Kohler Co. "Memoirs Shower Receptor". Model No. K-9568. Kohler.com online catalog. Copyright 2007 Kohler Co.

Duravit. "Bath Tub". Duravit online catalog.

* cited by examiner

Primary Examiner—Robert A Delehanty

(74) *Attorney, Agent, or Firm*—Quarles & Brady LLP

(57) **CLAIM**

The ornamental design for a shower base, as shown and described.

DESCRIPTION

FIG. 1 is a top, right, front perspective view of a shower base according to my new design;

FIG. 2 is a top plan view thereof;

FIG. 3 is a front elevational view thereof;

FIG. 4 is a right side elevational view thereof, the left side elevational view thereof being a mirror image of the right side shown;

FIG. 5 is a rear elevational view thereof;

FIG. 6 is a bottom plan view thereof;

FIG. 7 is a top, right, front perspective view of a shower base according to another embodiment of my new design;

FIG. 8 is a top plan view thereof;

FIG. 9 is a front elevational view thereof;

FIG. 10 is a right side elevational view thereof, the left side elevational view thereof being a mirror image of the right side shown;

FIG. 11 is a rear elevational view thereof; and,

FIG. 12 is a bottom plan view thereof.

The broken line representations in the figures are for the purpose of illustration only, and form no part of the claimed design.

In a preferred embodiment, the nature of this product is as a shower receptor for a shower plumbing fixture.

1 Claim, 6 Drawing Sheets

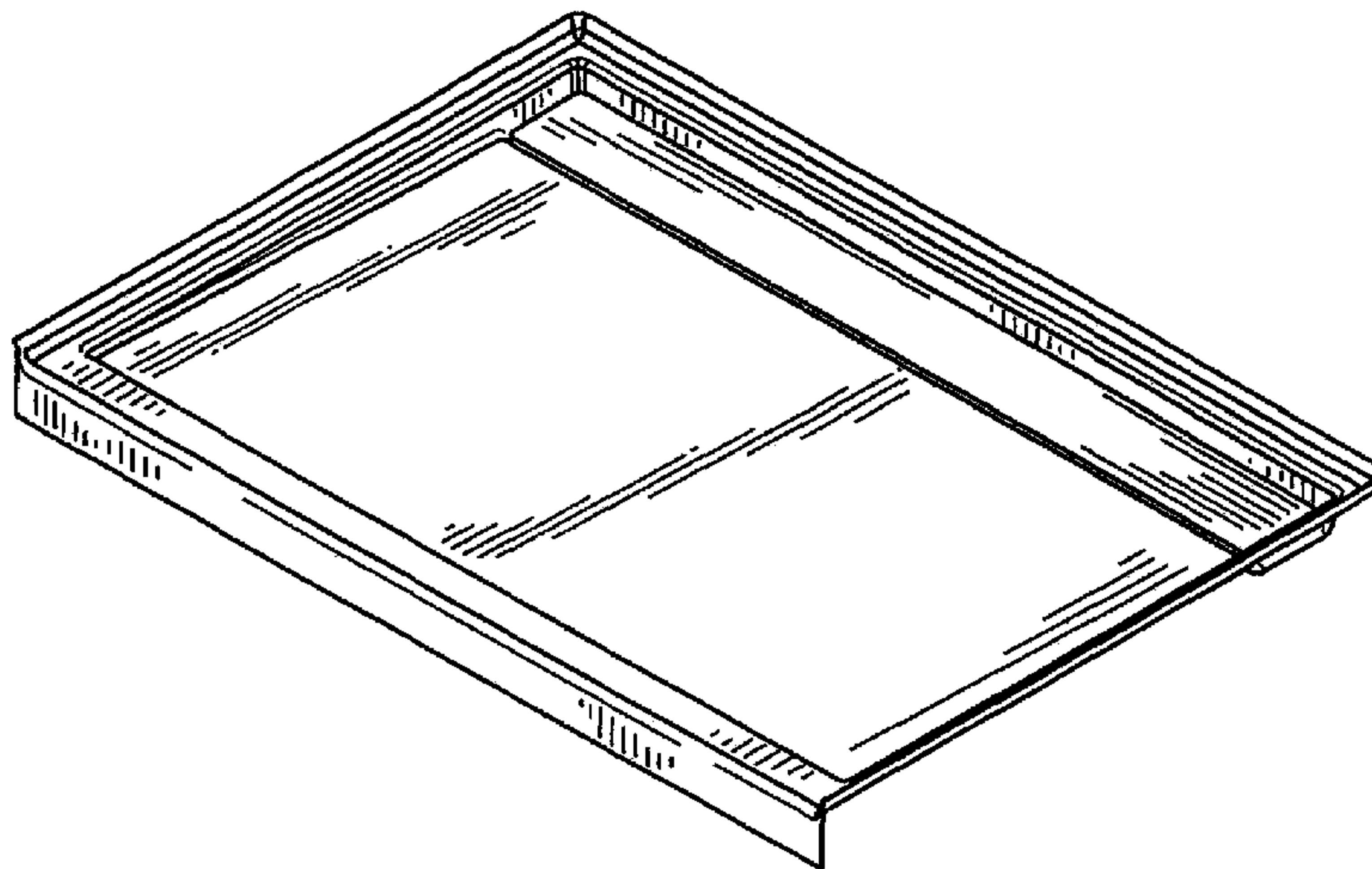


FIG. 1

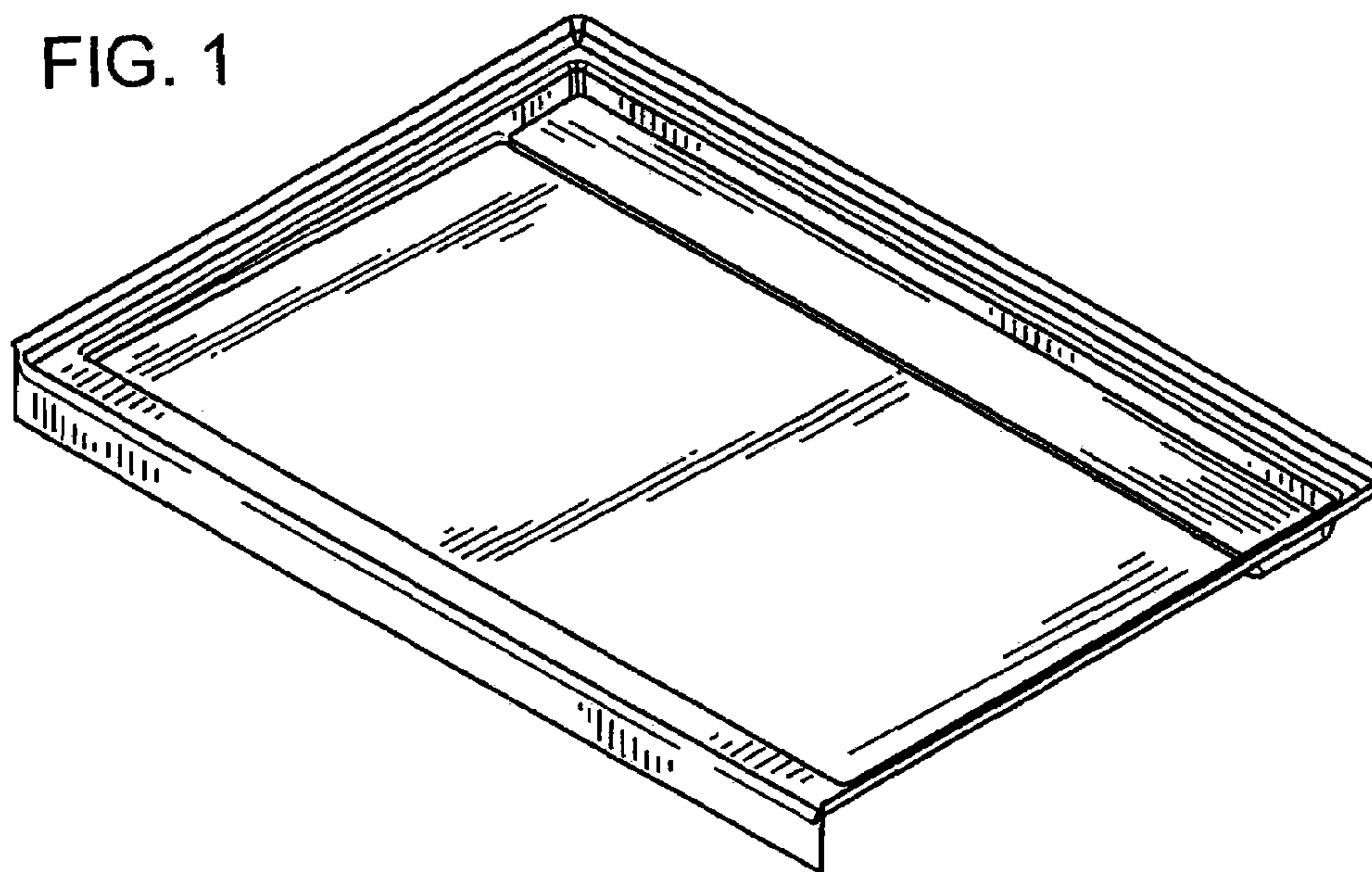


FIG. 2

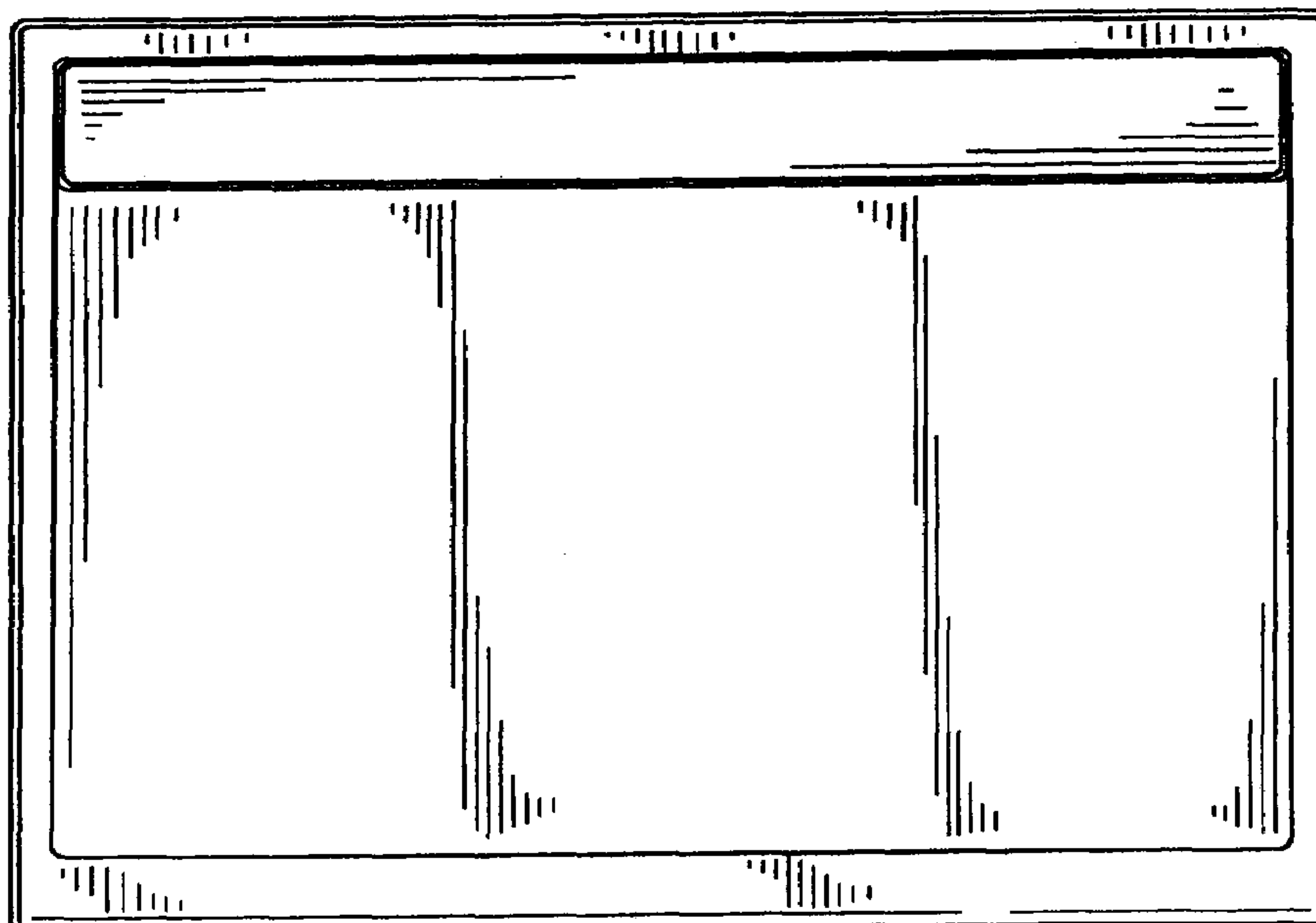


FIG. 3

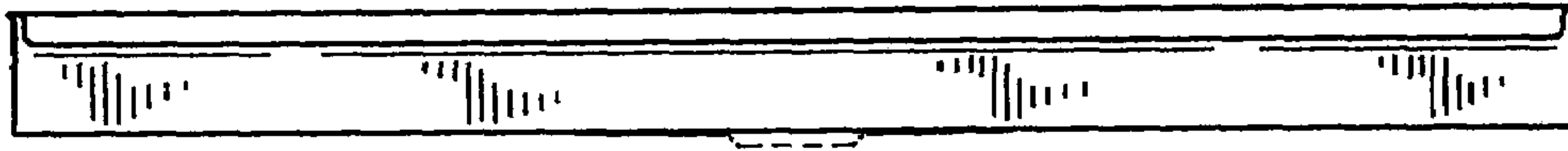


FIG. 4

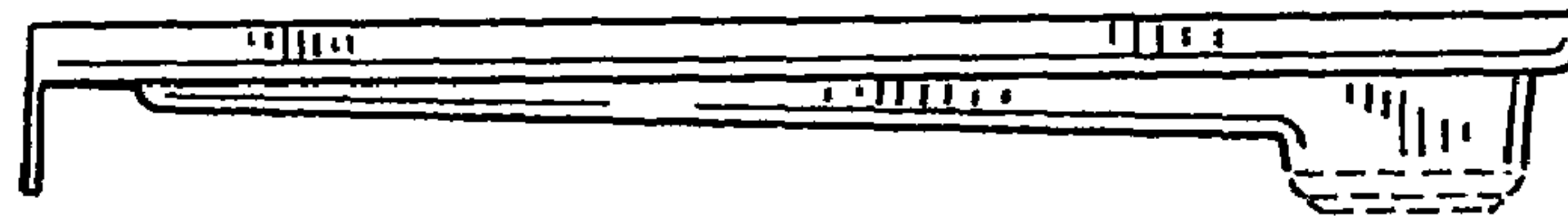


FIG. 5

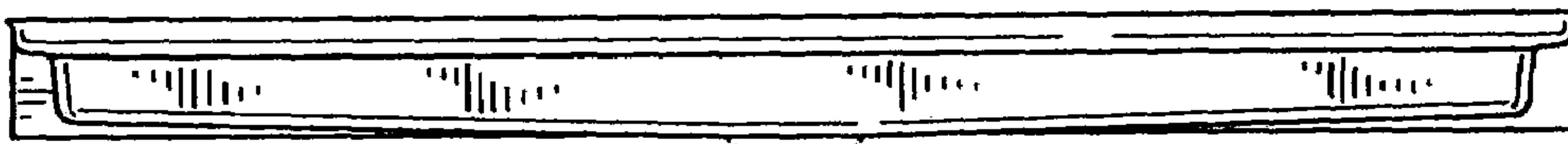


FIG. 6

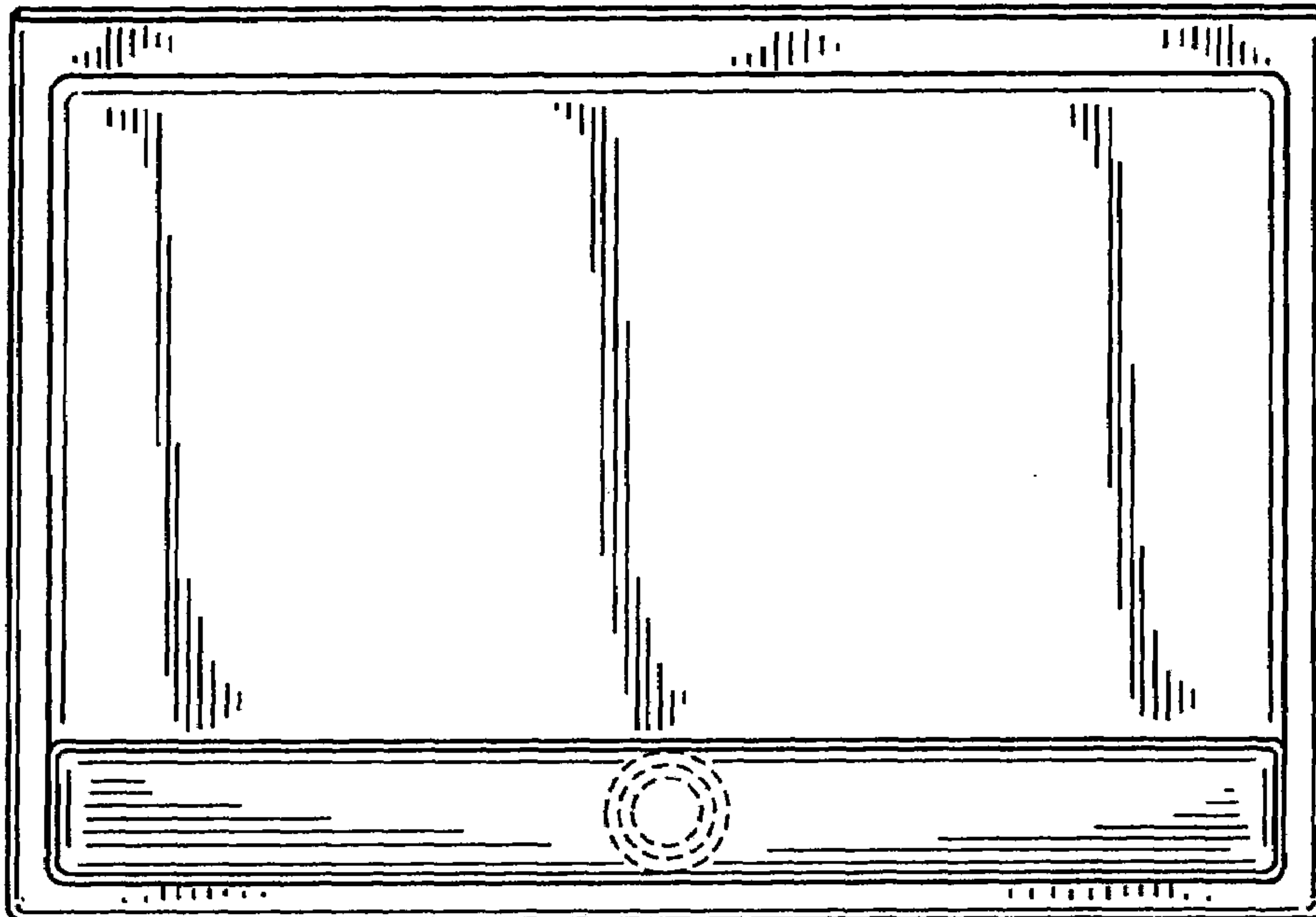


FIG. 7

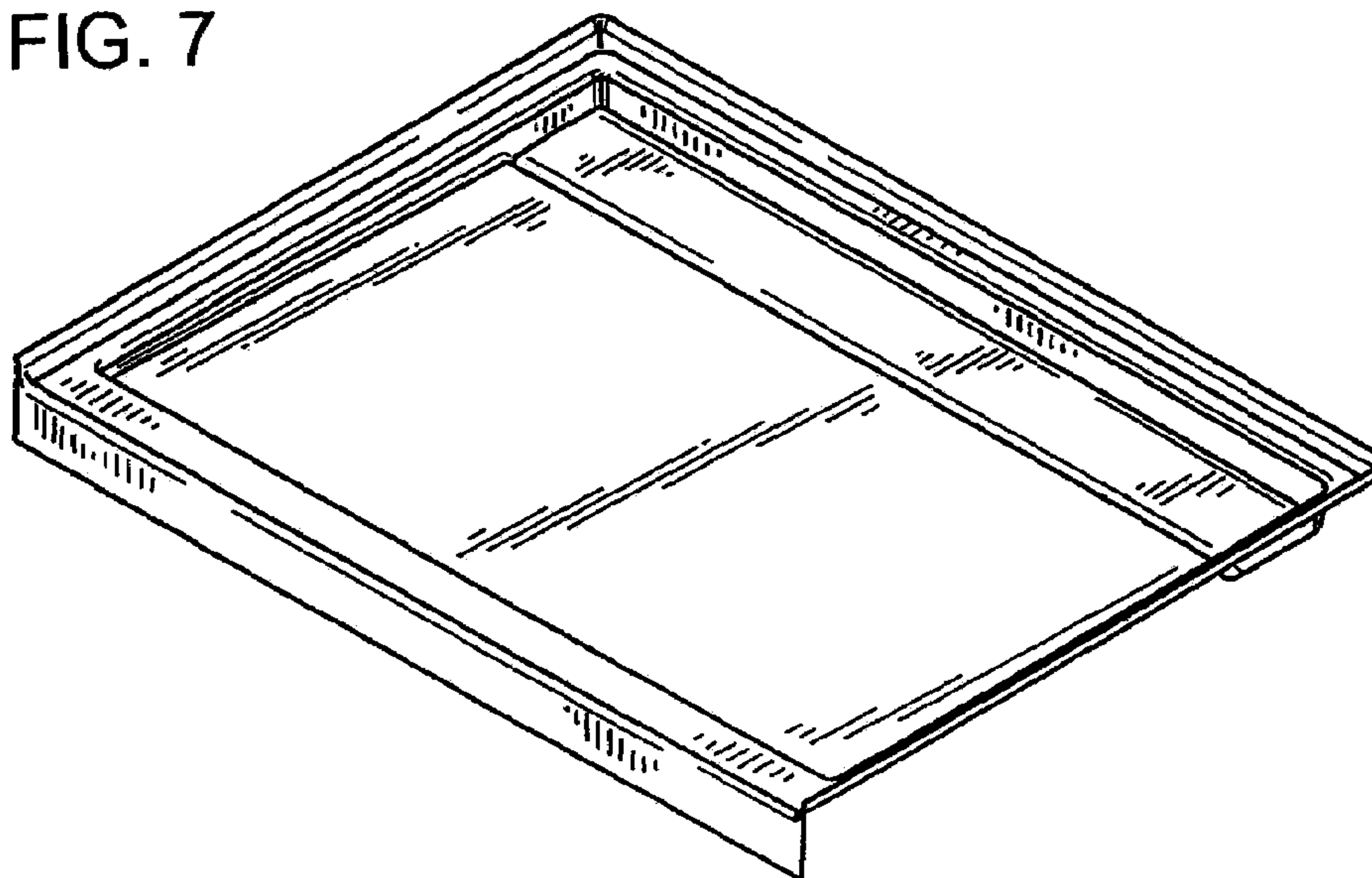


FIG. 8

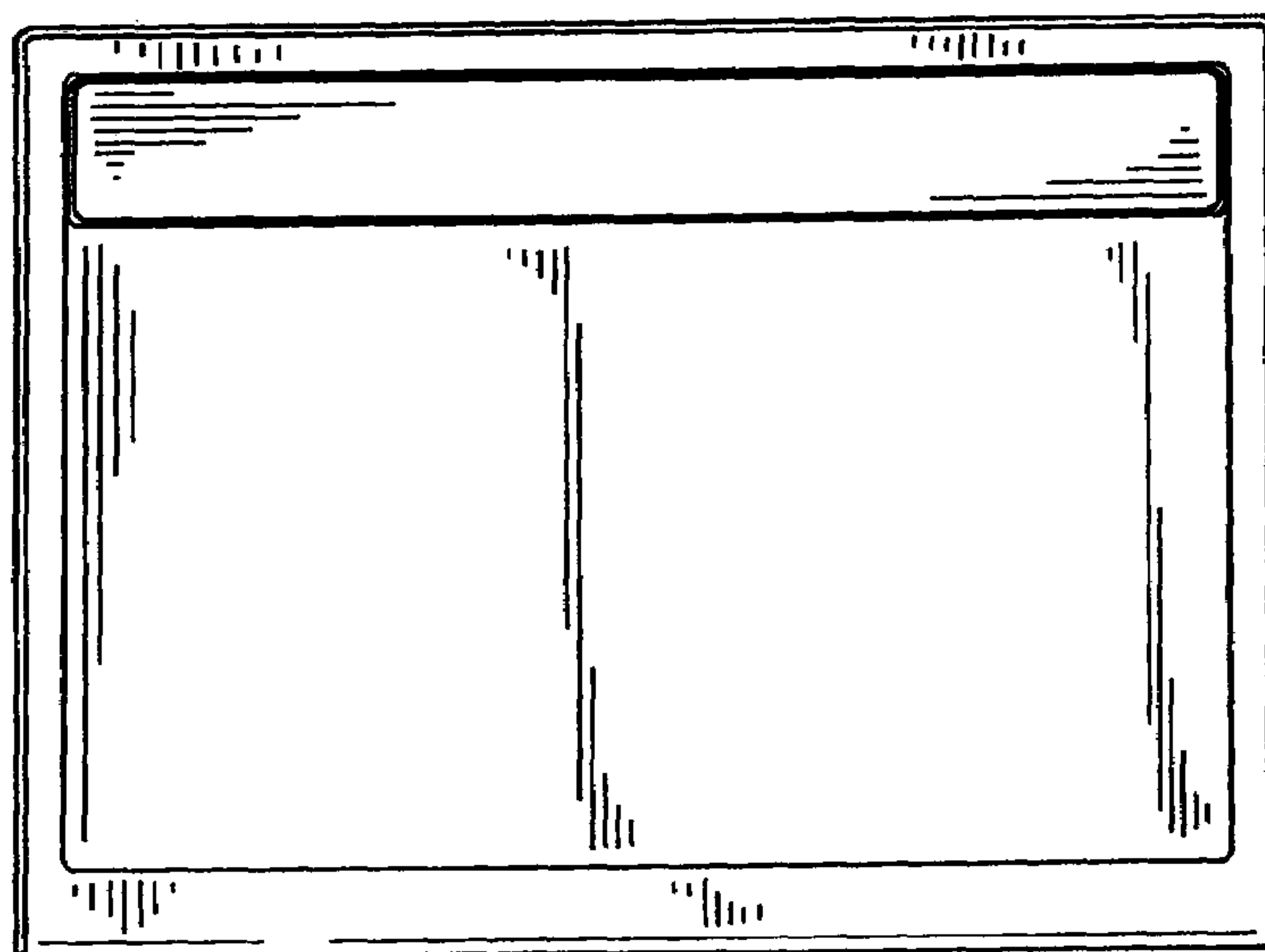


FIG. 9

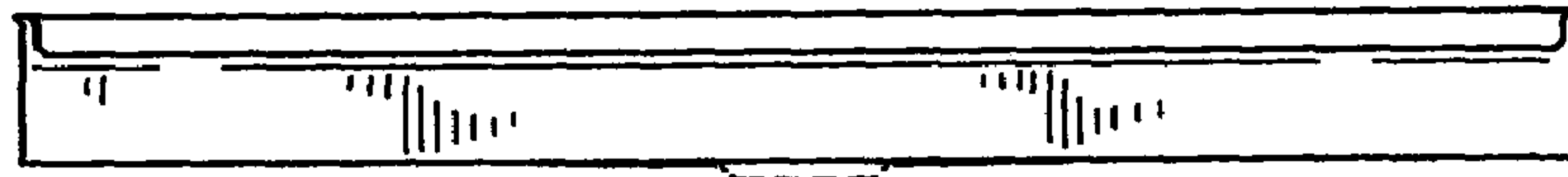


FIG. 10

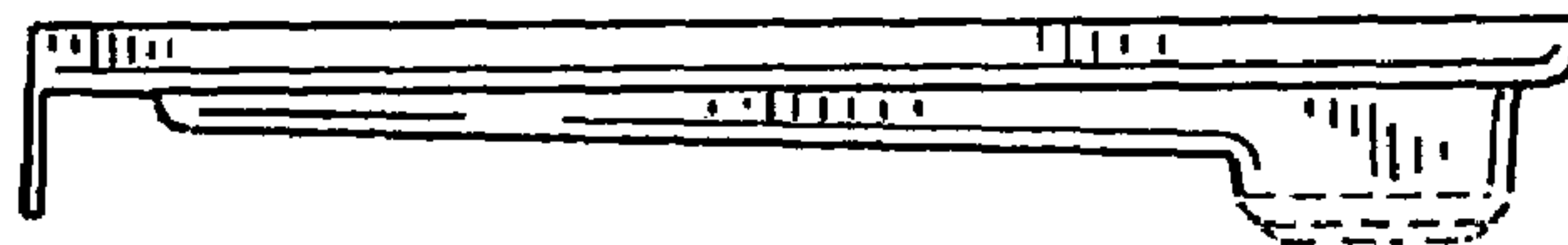


FIG. 11

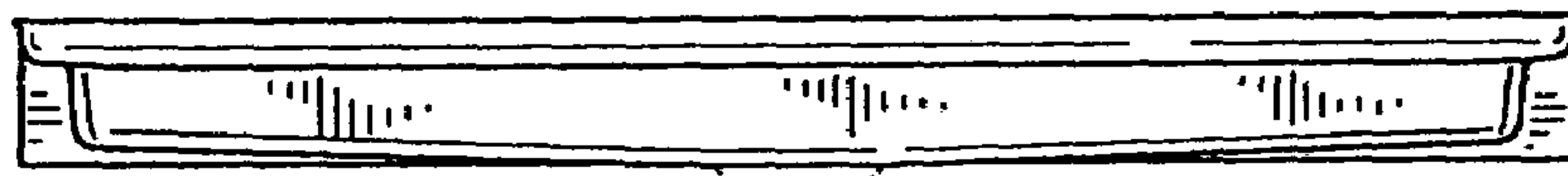


FIG. 12

