



US00D613835S

(12) **United States Design Patent**
Hoh et al.

(10) **Patent No.:** **US D613,835 S**
(45) **Date of Patent:** **** Apr. 13, 2010**

(54) **TUB FOR BATHING**

(75) Inventors: **Timothy E. Hoh**, Sheboygan, WI (US);
Katherine A. Stanchak, Medford, MA (US);
Mary Reid, Sheboygan, WI (US);
Kristopher W. Clover, Sheboygan, WI (US)

(73) Assignee: **Kohler Co.**, Kohler, WI (US)

(**) Term: **14 Years**

(21) Appl. No.: **29/336,230**

(22) Filed: **Apr. 29, 2009**

(51) **LOC (9) Cl.** **23-02**

(52) **U.S. Cl.** **D23/279**

(58) **Field of Classification Search** D23/277,
D23/279–280.3, 283, 304–305; 4/538, 557–558;
D24/204–205

See application file for complete search history.

(56) **References Cited**

U.S. PATENT DOCUMENTS

4,365,367	A	12/1982	Houle et al.	
5,184,358	A *	2/1993	Gruidel et al.	4/555
5,446,929	A *	9/1995	Sills et al.	4/555
5,701,614	A	12/1997	Appleford et al.	
D539,393	S *	3/2007	Hashida	D23/277

* cited by examiner

OTHER PUBLICATIONS

EasyAccessWalk-inBathtub.com. Bathtub. EasyAccessWalk-inBathtub.com online catalog. Copyright Easy Access Walk-in Bathtub.

Primary Examiner—Robert A Delehanty
(74) *Attorney, Agent, or Firm*—Quarles & Brady LLP

(57) **CLAIM**

The ornamental design for a tub for bathing, as shown and described.

DESCRIPTION

FIG. 1 is a right, top, front perspective view of a tub for bathing embodying our new design;

FIG. 2 is a front elevational view thereof;

FIG. 3 is a top plan view thereof;

FIG. 4 is a right side elevational view thereof;

FIG. 5 is a left side elevational view thereof;

FIG. 6 is a rear elevational view thereof;

FIG. 7 is a right, top, front perspective view thereof shown with a front wall in a lowered position;

FIG. 8 is a left, top, front perspective view of a tub for bathing according to another embodiment of our new design, the various views thereof being mirror images of the associated FIGS. 2–7;

FIG. 9 is a right, top, front perspective view of a tub for bathing according to another embodiment of our new design;

FIG. 10 is a front elevational view thereof;

FIG. 11 is a top plan view thereof;

FIG. 12 is a right side elevational view thereof;

FIG. 13 is a left side elevational view thereof;

FIG. 14 is a rear elevational view thereof;

FIG. 15 is a right, top, front perspective view thereof shown with a front wall in a lowered position;

FIG. 16 is a left, top, front perspective view of a tub for bathing according to another embodiment of our new design, the various views thereof being mirror images of the associated FIGS. 10–15;

FIG. 17 is a right, top, front perspective view of a tub for bathing according to another embodiment of our new design;

FIG. 18 is a front elevational view thereof;

FIG. 19 is a top plan view thereof;

FIG. 20 is a right side elevational view thereof;

FIG. 21 is a left side elevational view thereof;

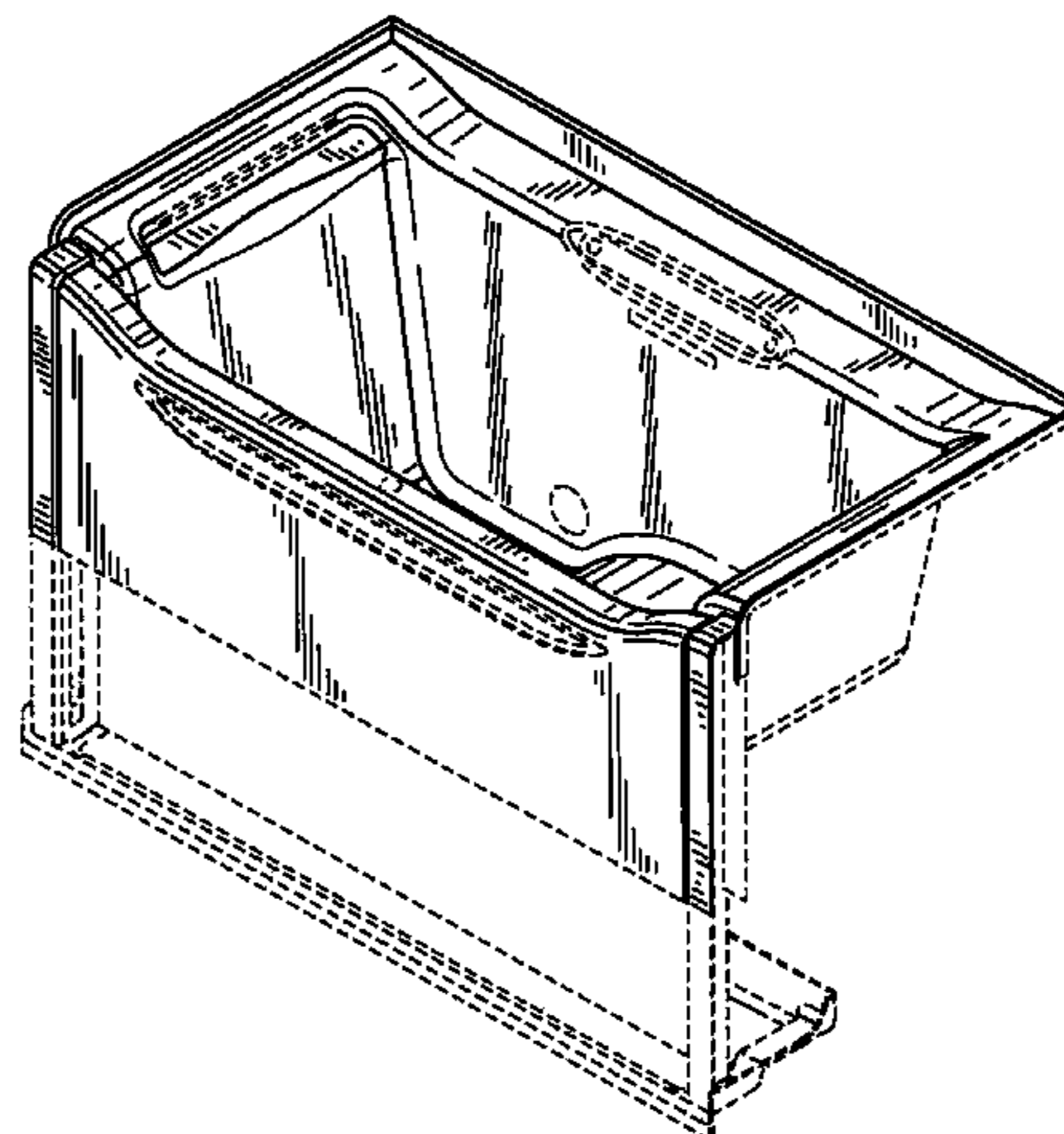


FIG. **22** is a rear elevational view thereof;

FIG. **23** is a right, top, front perspective view thereof shown with a front wall in a lowered position;

FIG. **24** is a left, top, front perspective view of a tub for bathing according to another embodiment of our new design, the various views thereof being mirror images of the associated FIGS. **18–23**;

FIG. **25** is a right, top, front perspective view of a tub for bathing according to another embodiment of our new design;

FIG. **26** is a front elevational view thereof;

FIG. **27** is a top plan view thereof;

FIG. **28** is a right side elevational view thereof;

FIG. **29** is a left side elevational view thereof;

FIG. **30** is a rear elevational view thereof;

FIG. **31** is a right, top, front perspective view thereof shown with a front wall in a lowered position; and

FIG. **32** is a left, top, front perspective view of a tub for bathing according to another embodiment of our new design, the various views thereof being mirror images of the associated FIGS. **26–31**.

In a preferred embodiment, the nature of this product is as a plumbing fixture in the form of a bathing tub primary useful for washing the human body.

The broken line representations in the figures are for the purpose of illustration only, and form no part of the claimed design.

1 Claim, 20 Drawing Sheets

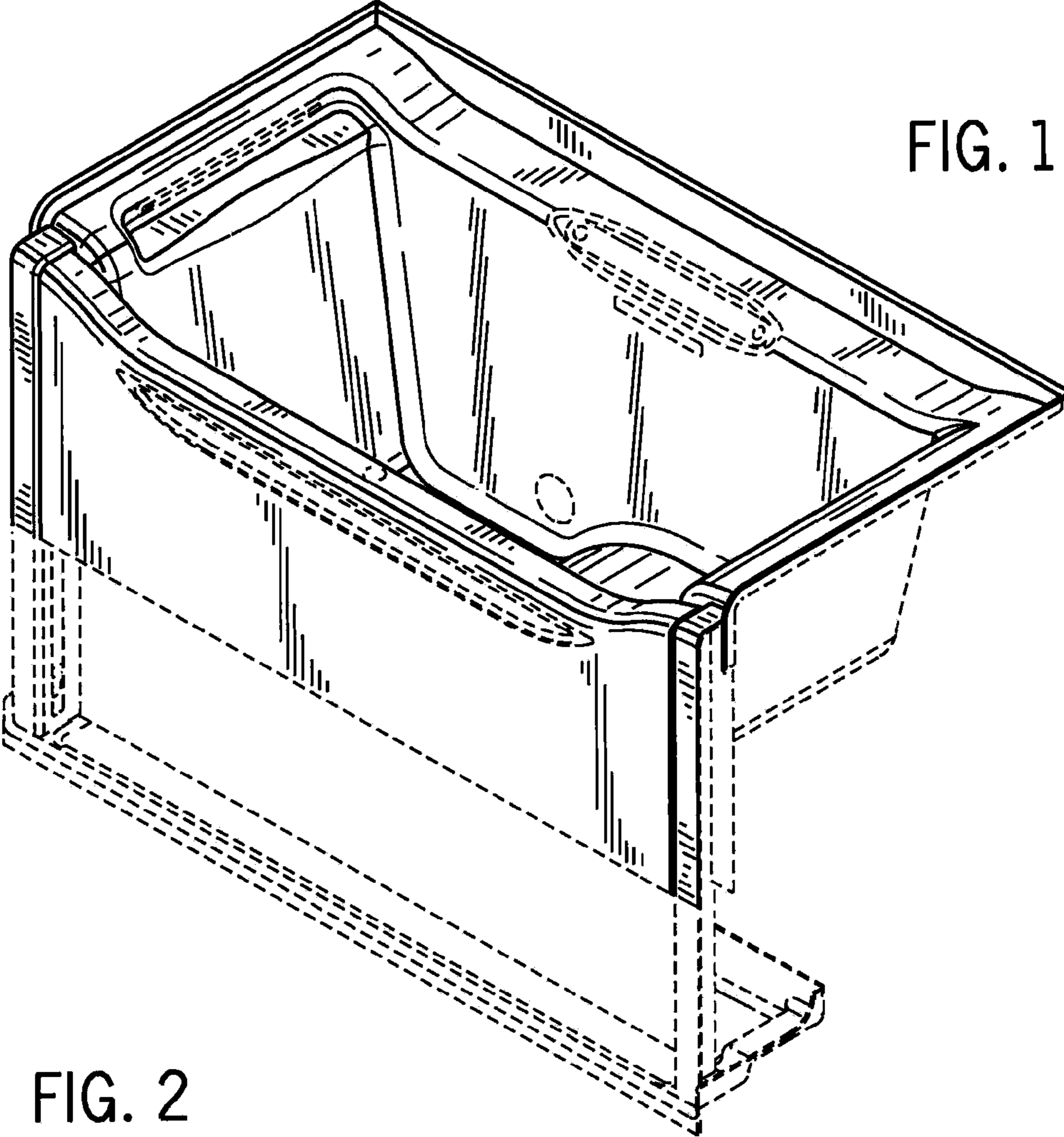
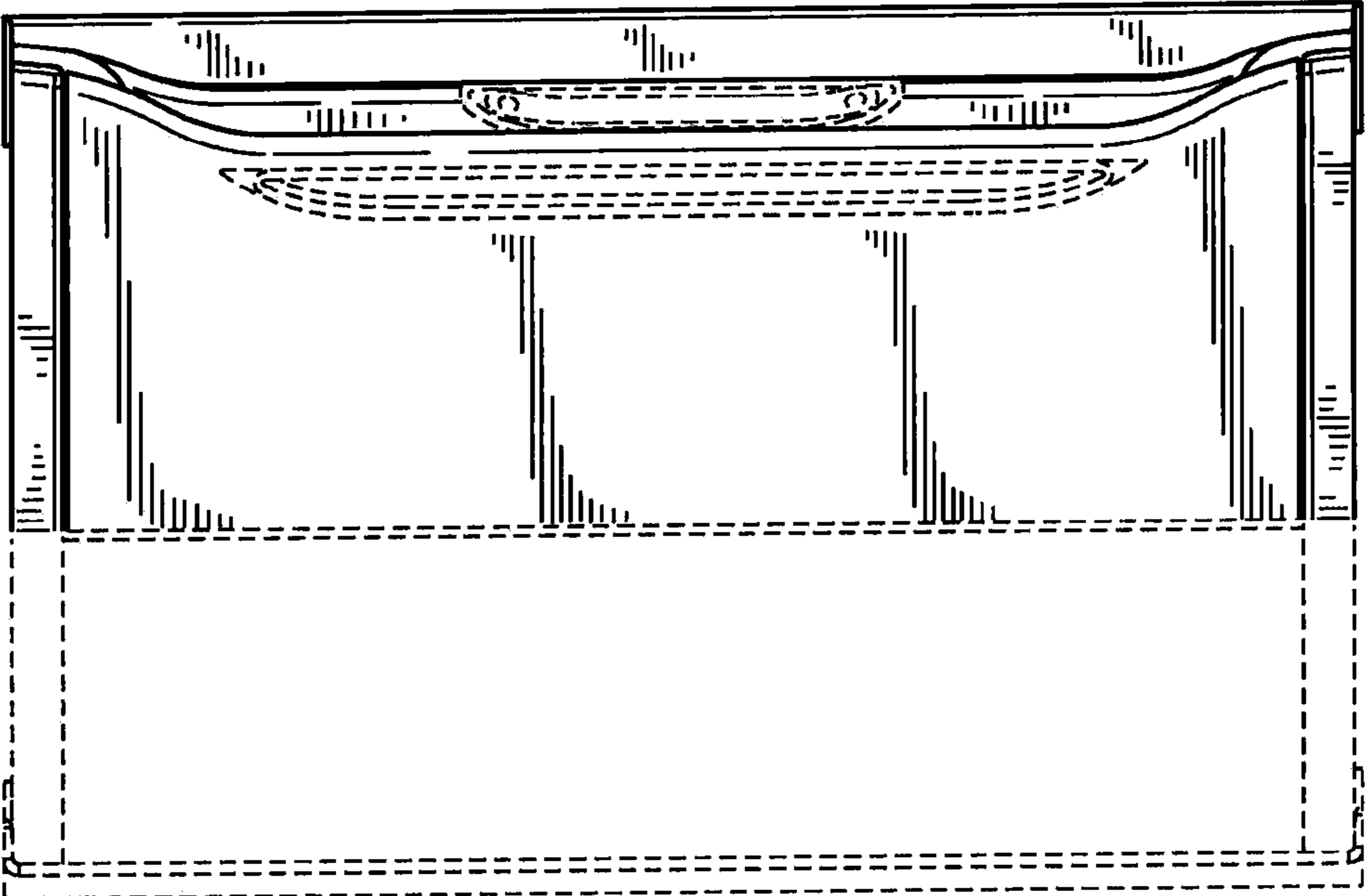


FIG. 2



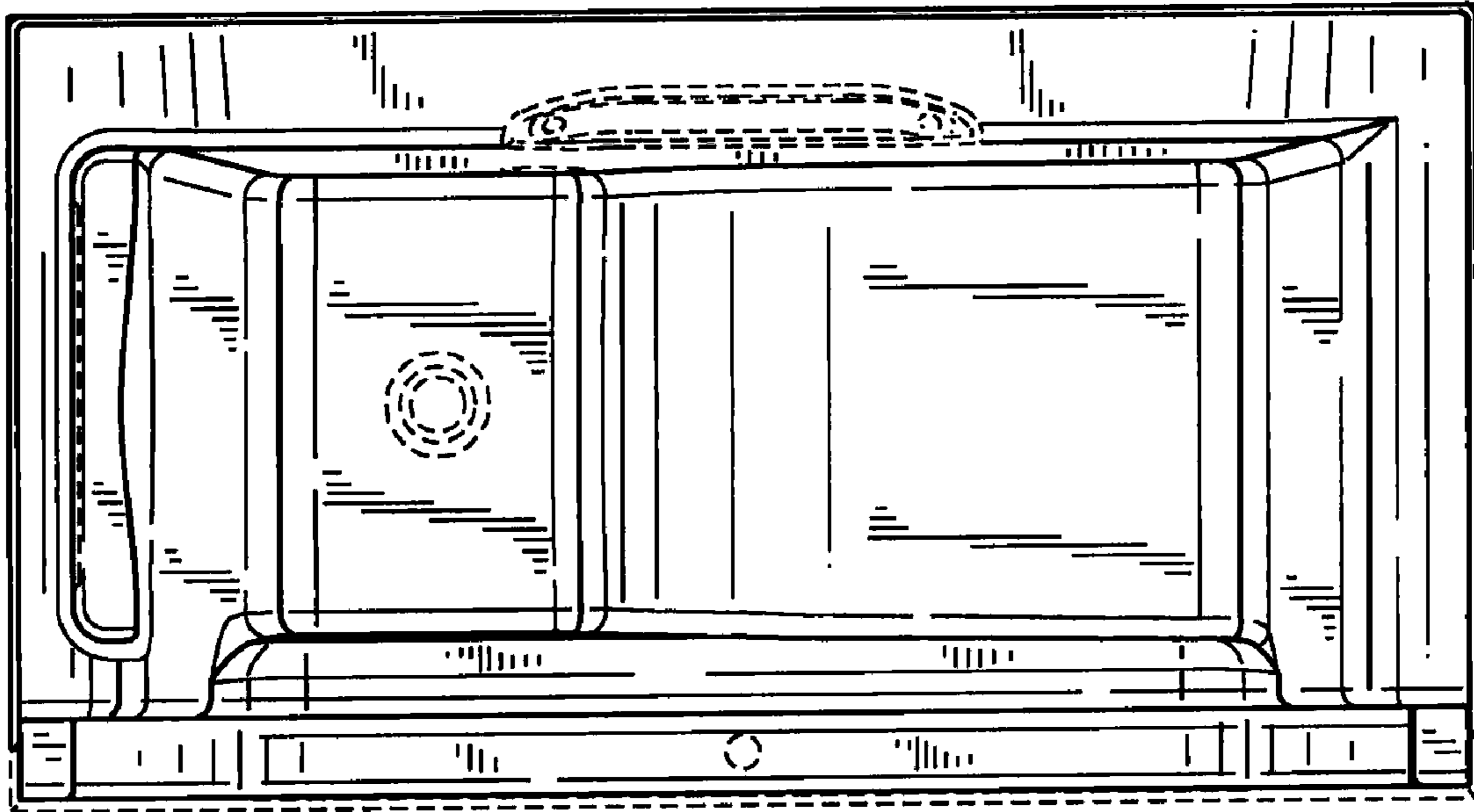


FIG. 3

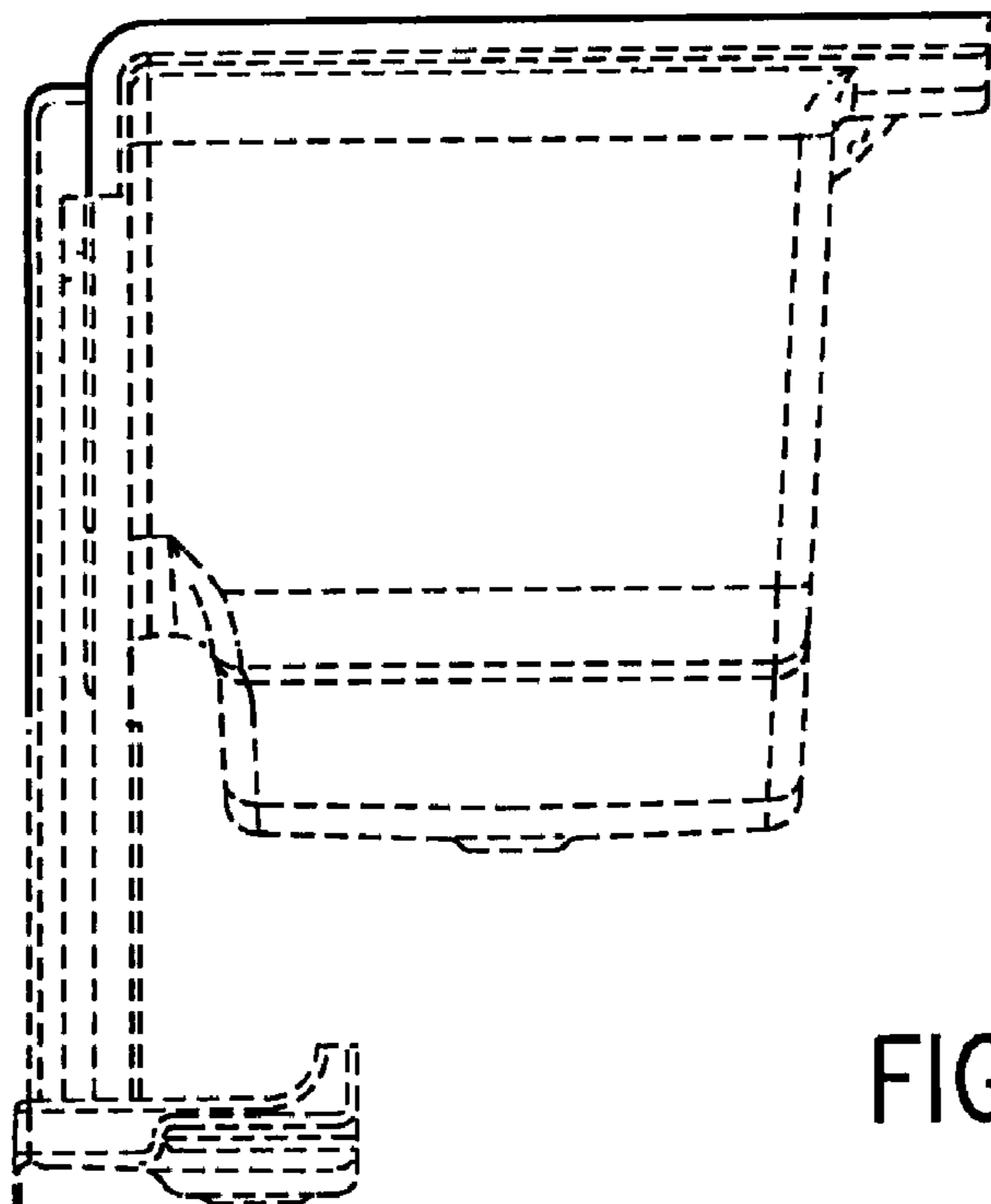


FIG. 4

FIG. 5

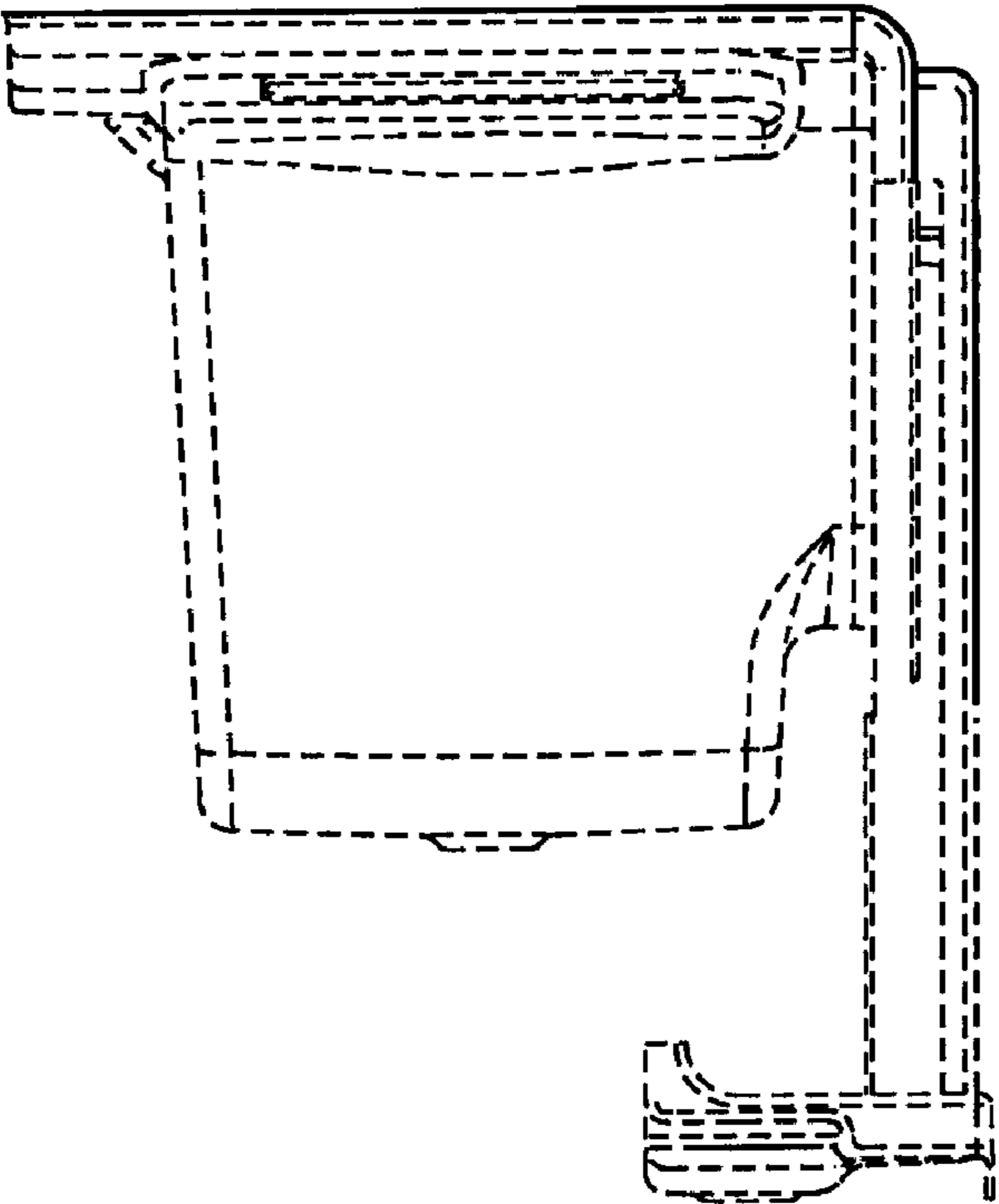
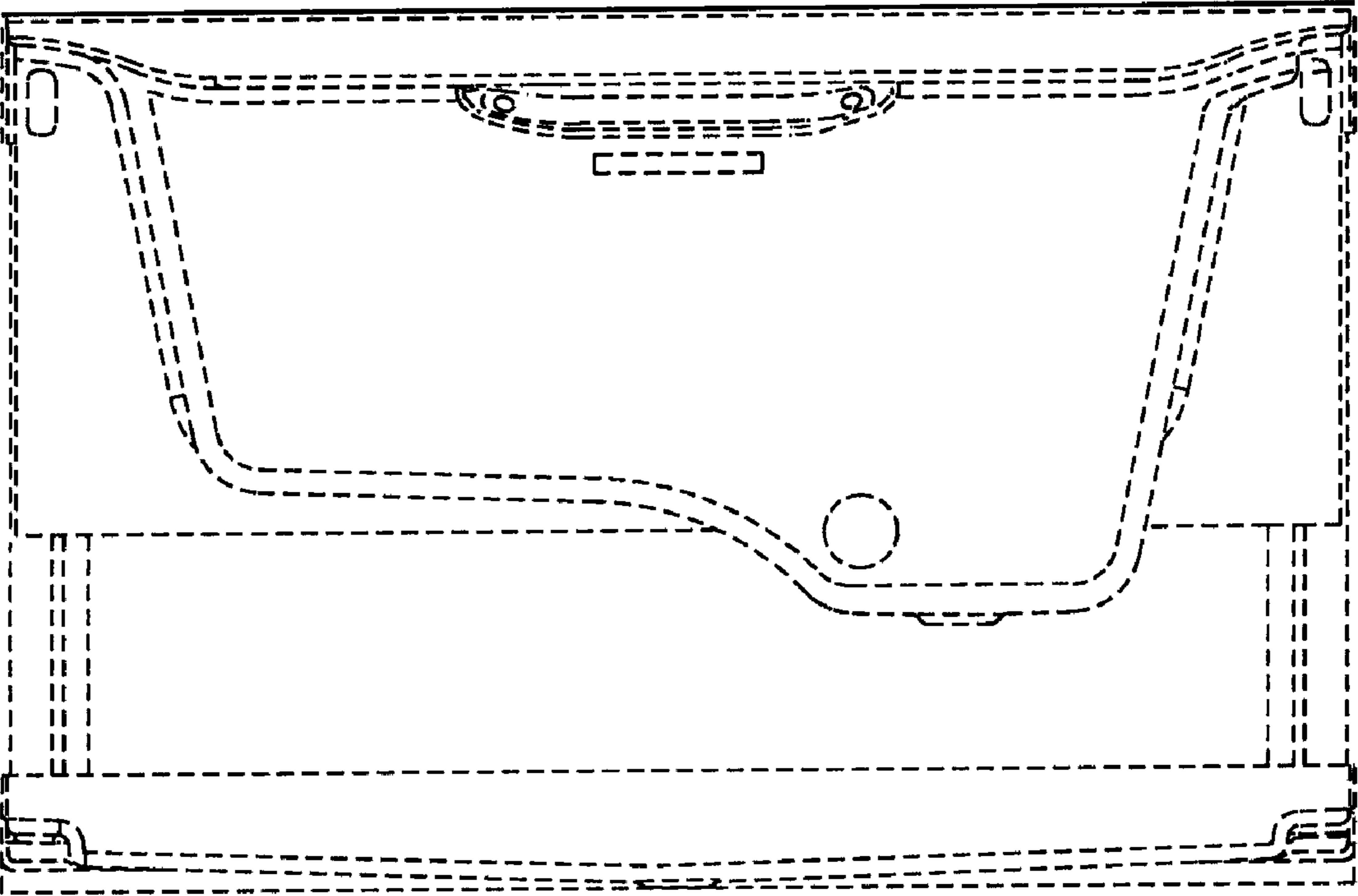


FIG. 6



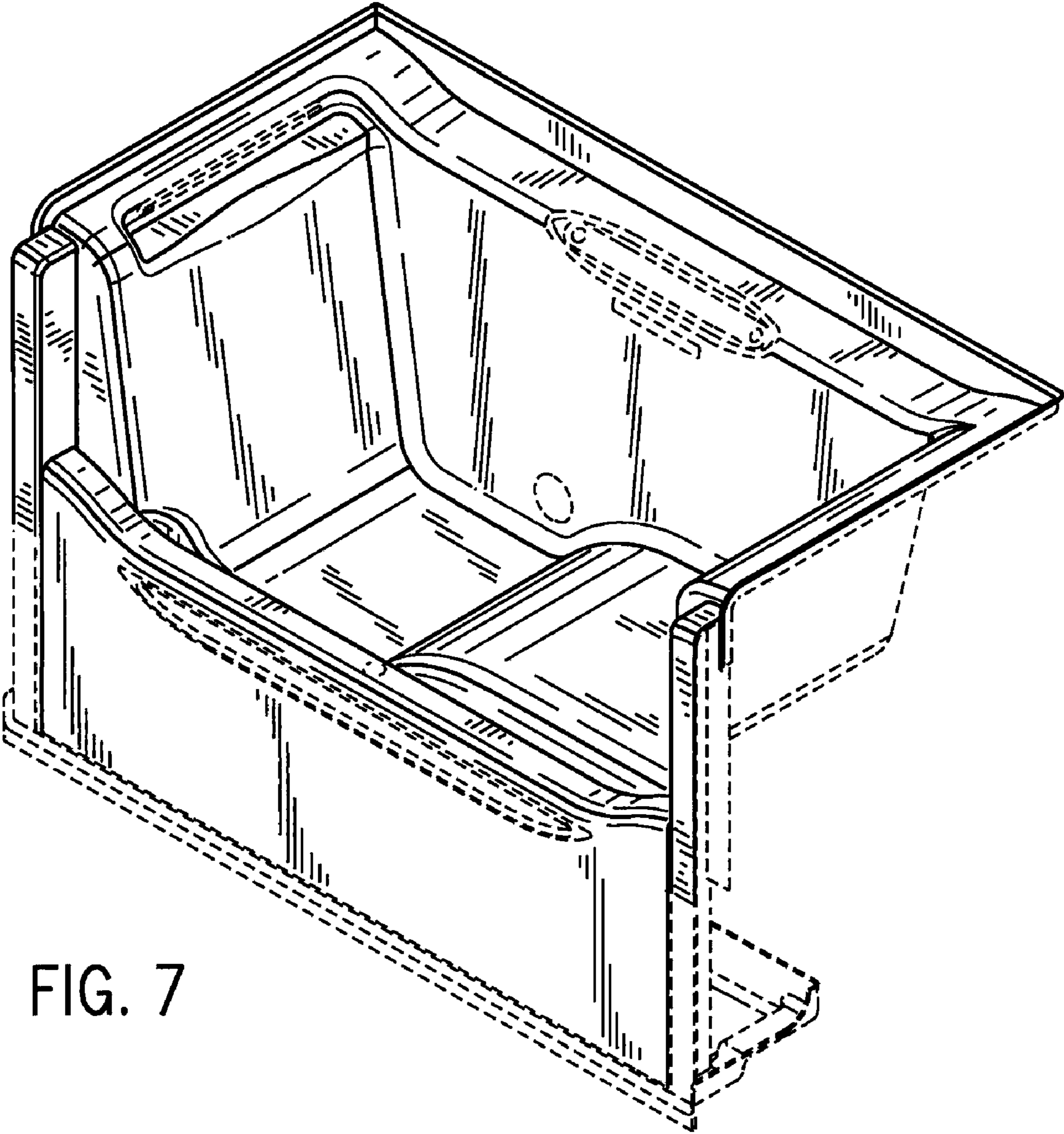


FIG. 7

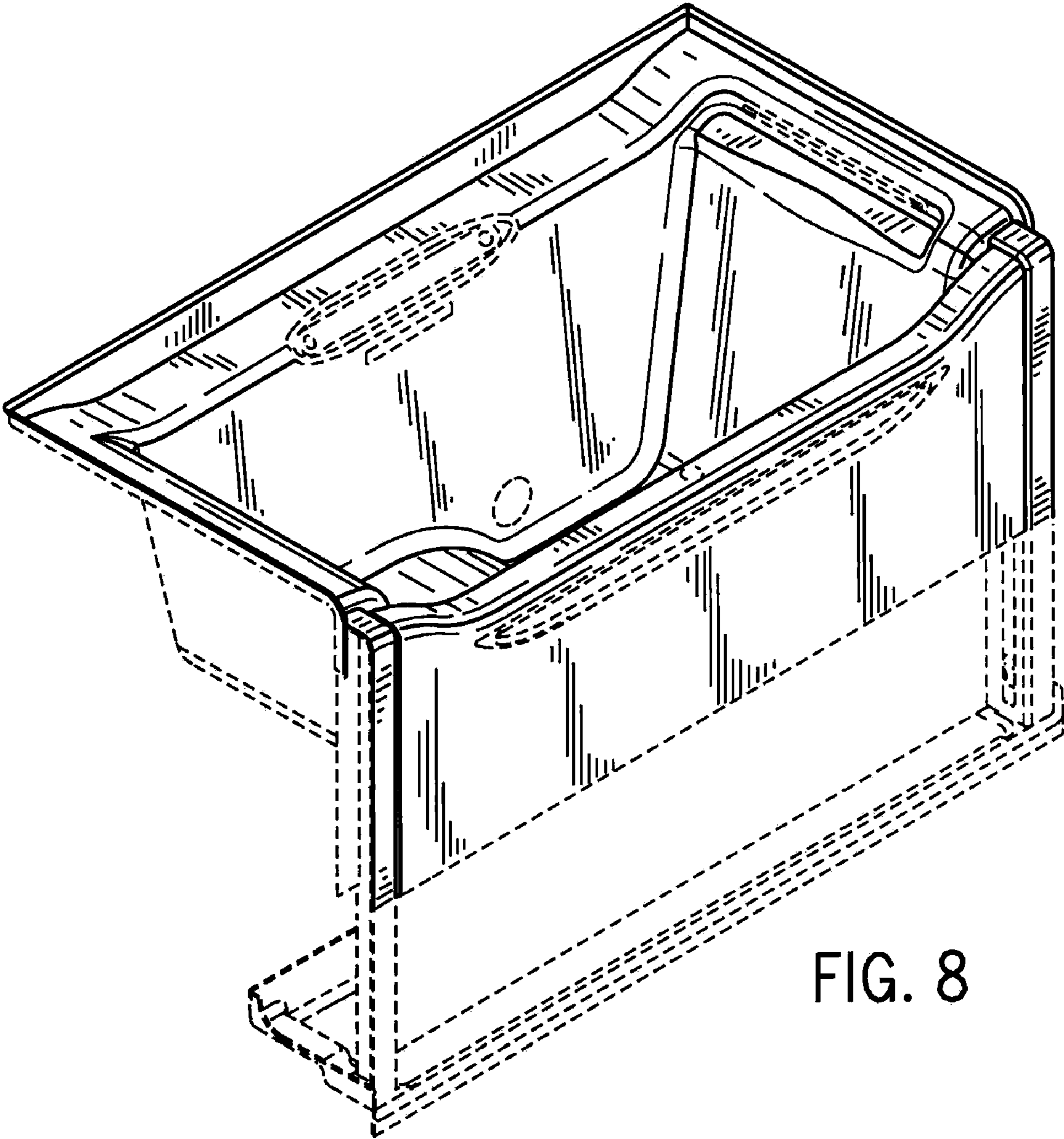


FIG. 8

FIG. 9

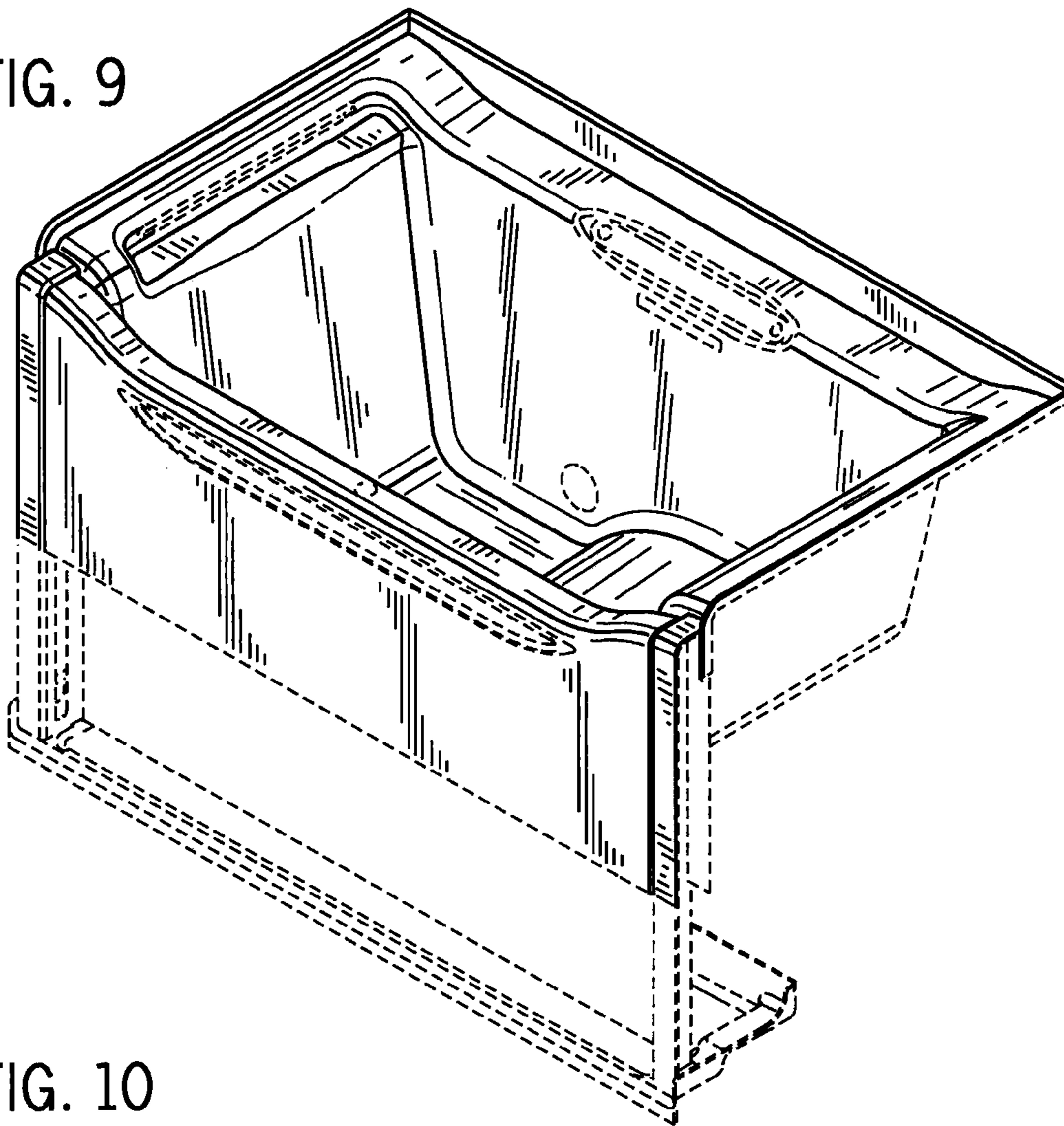
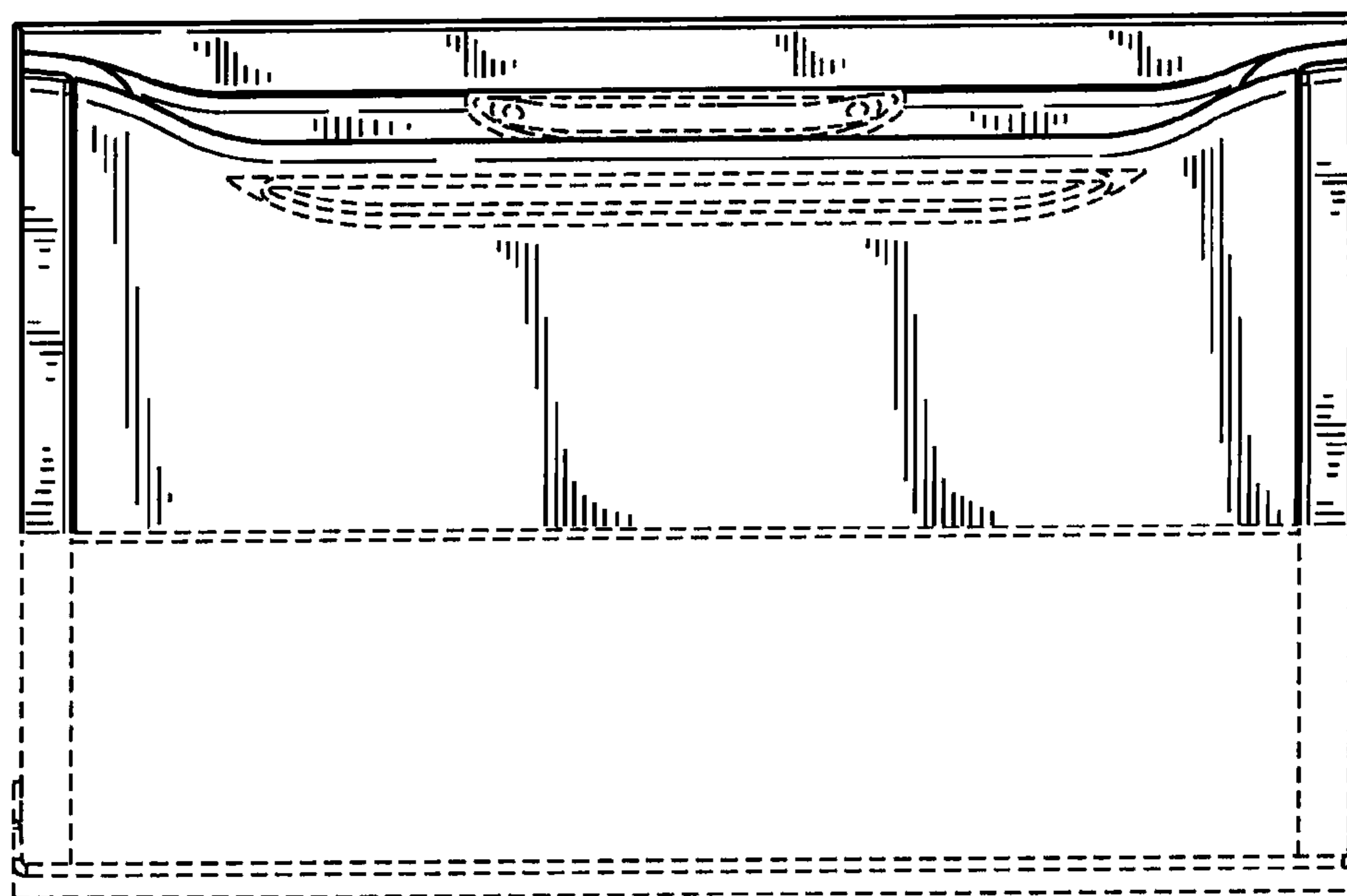


FIG. 10



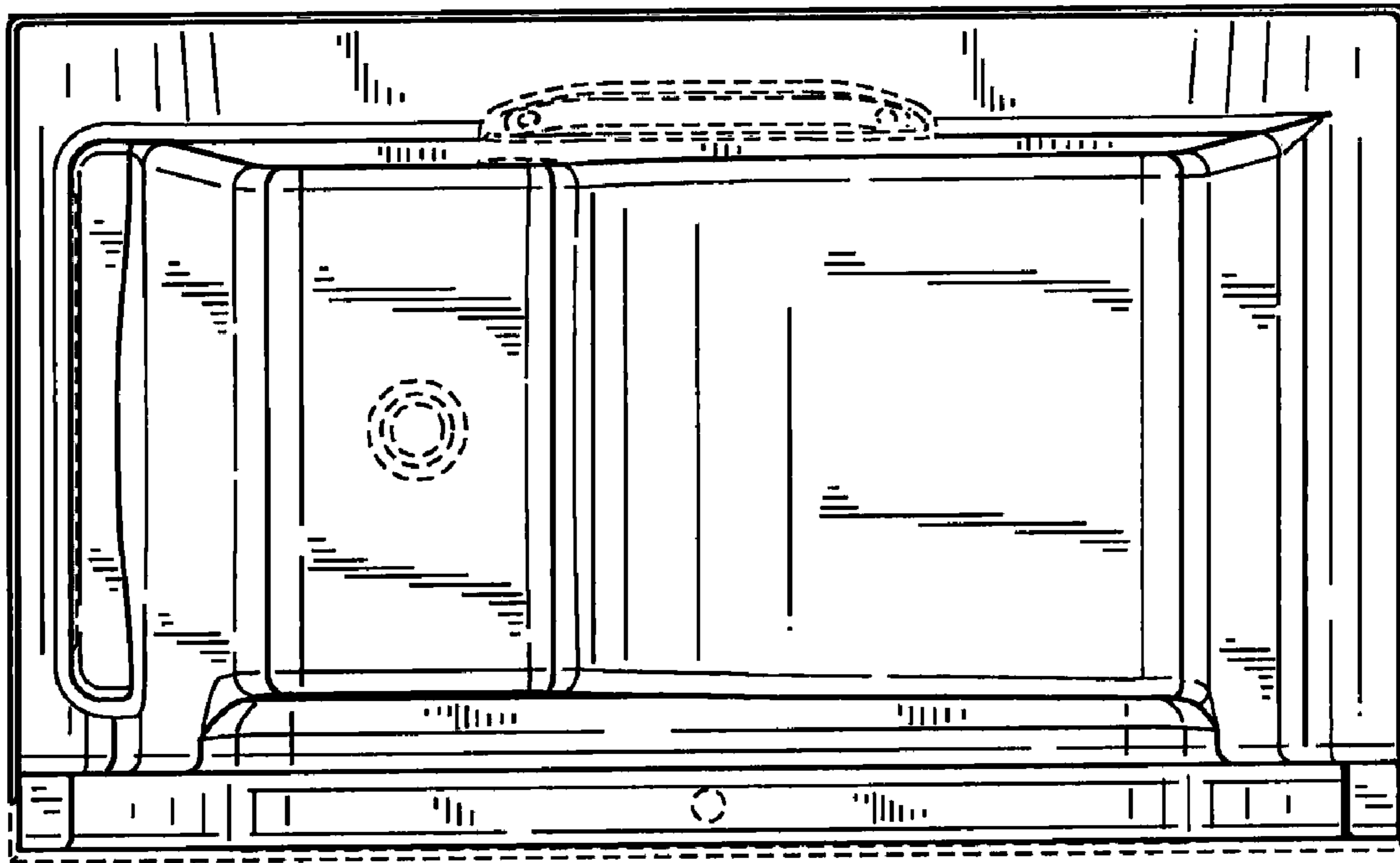


FIG. 11

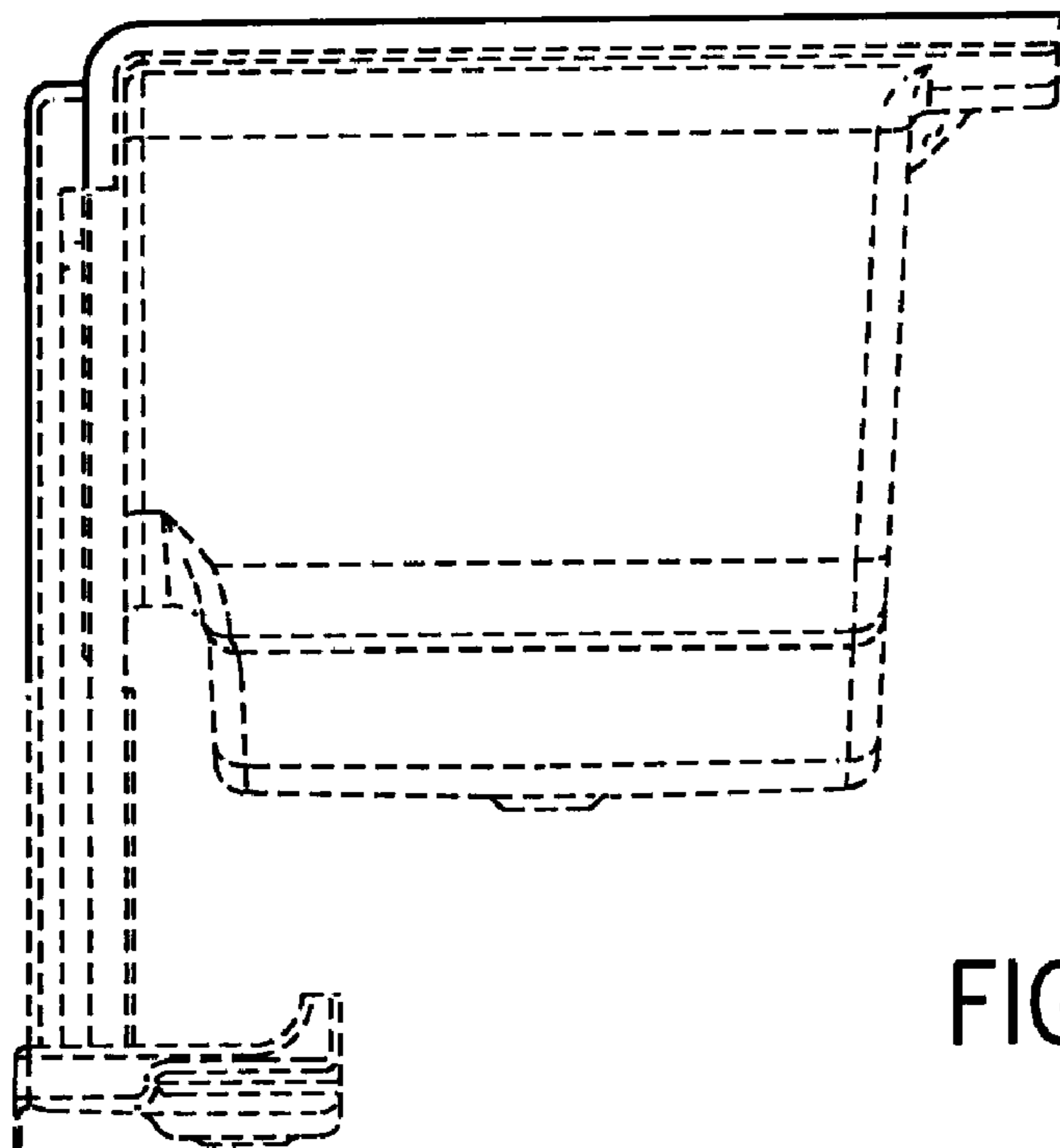


FIG. 12

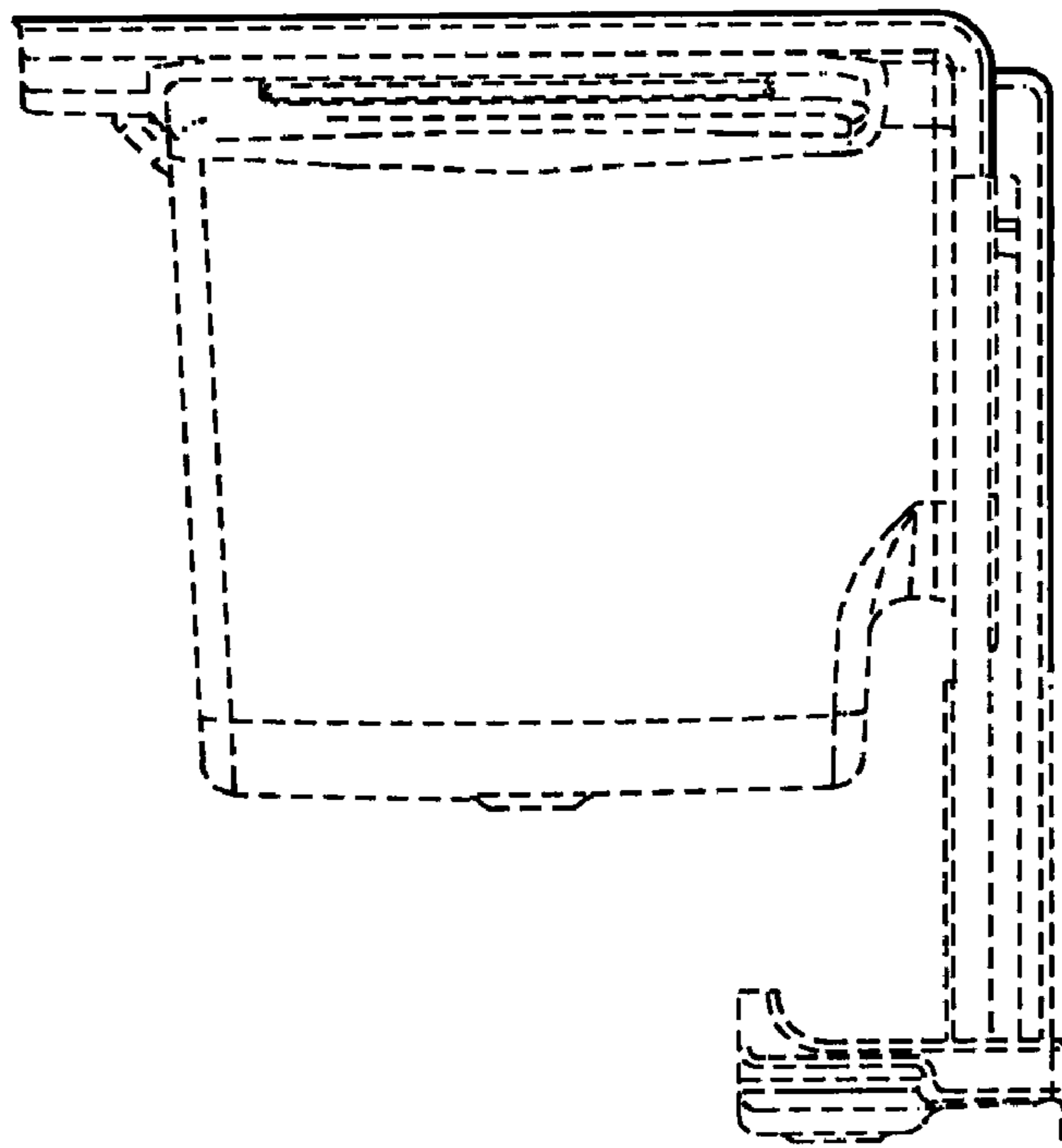
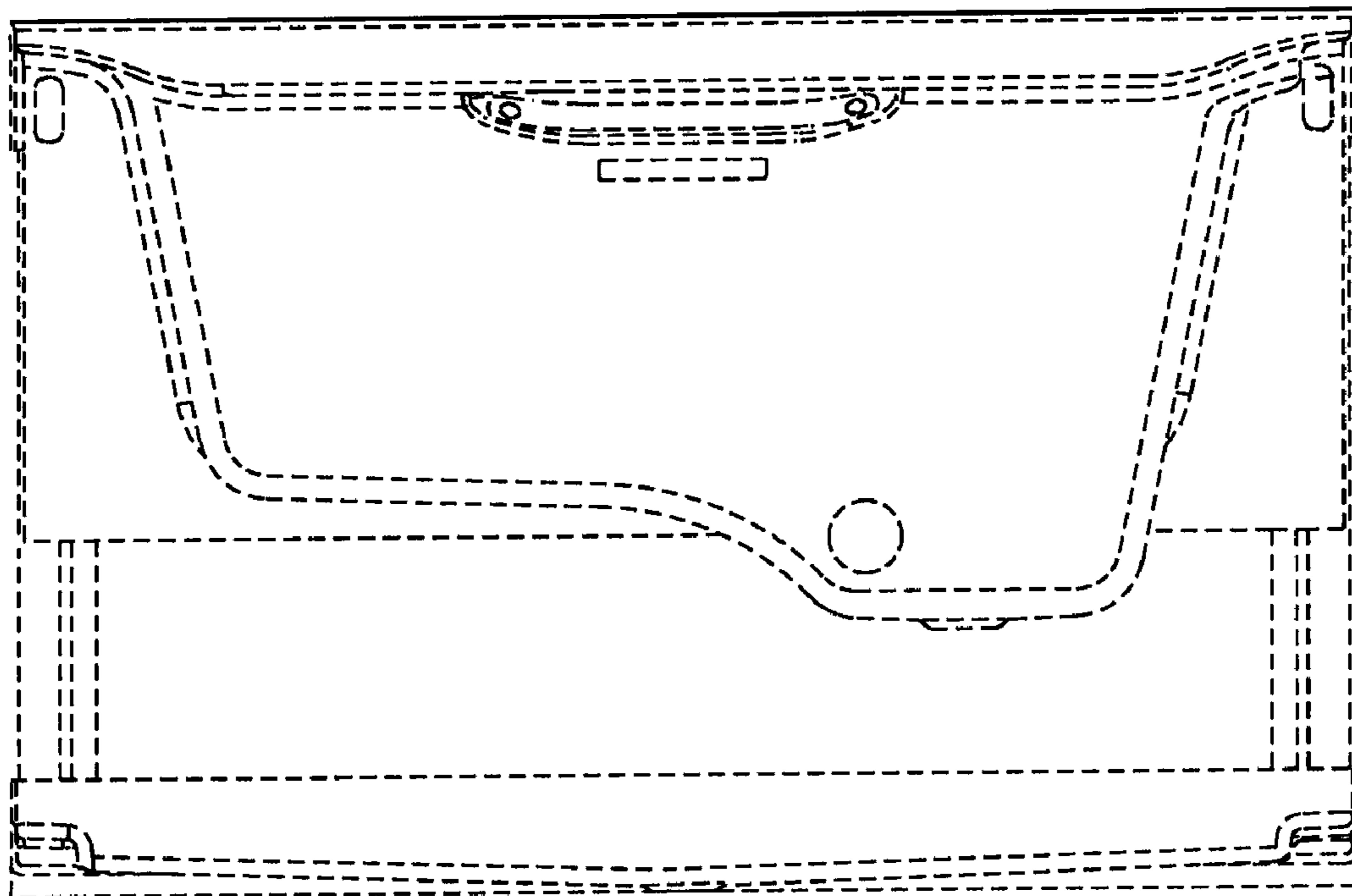


FIG. 13

FIG. 14



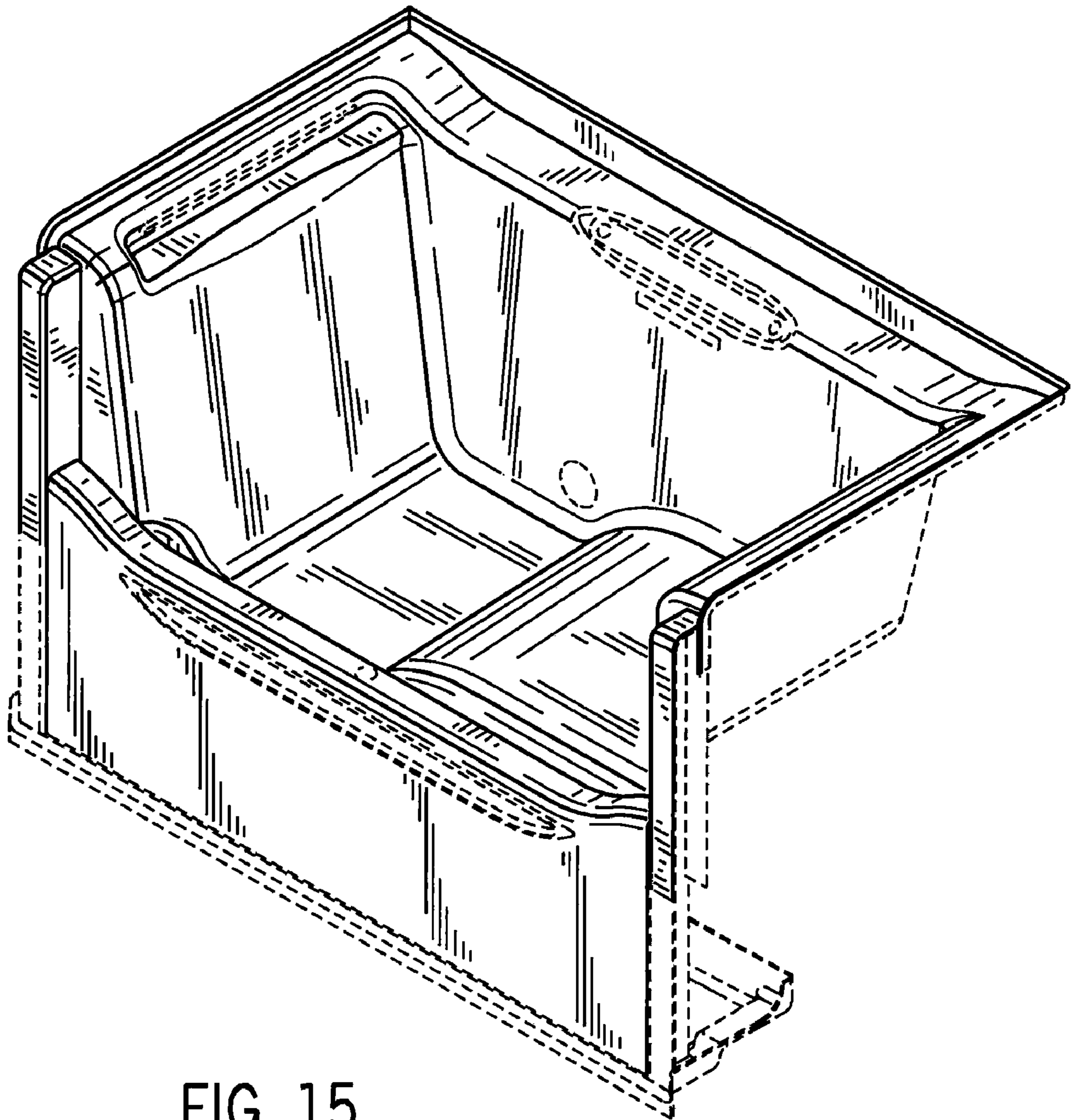


FIG. 15

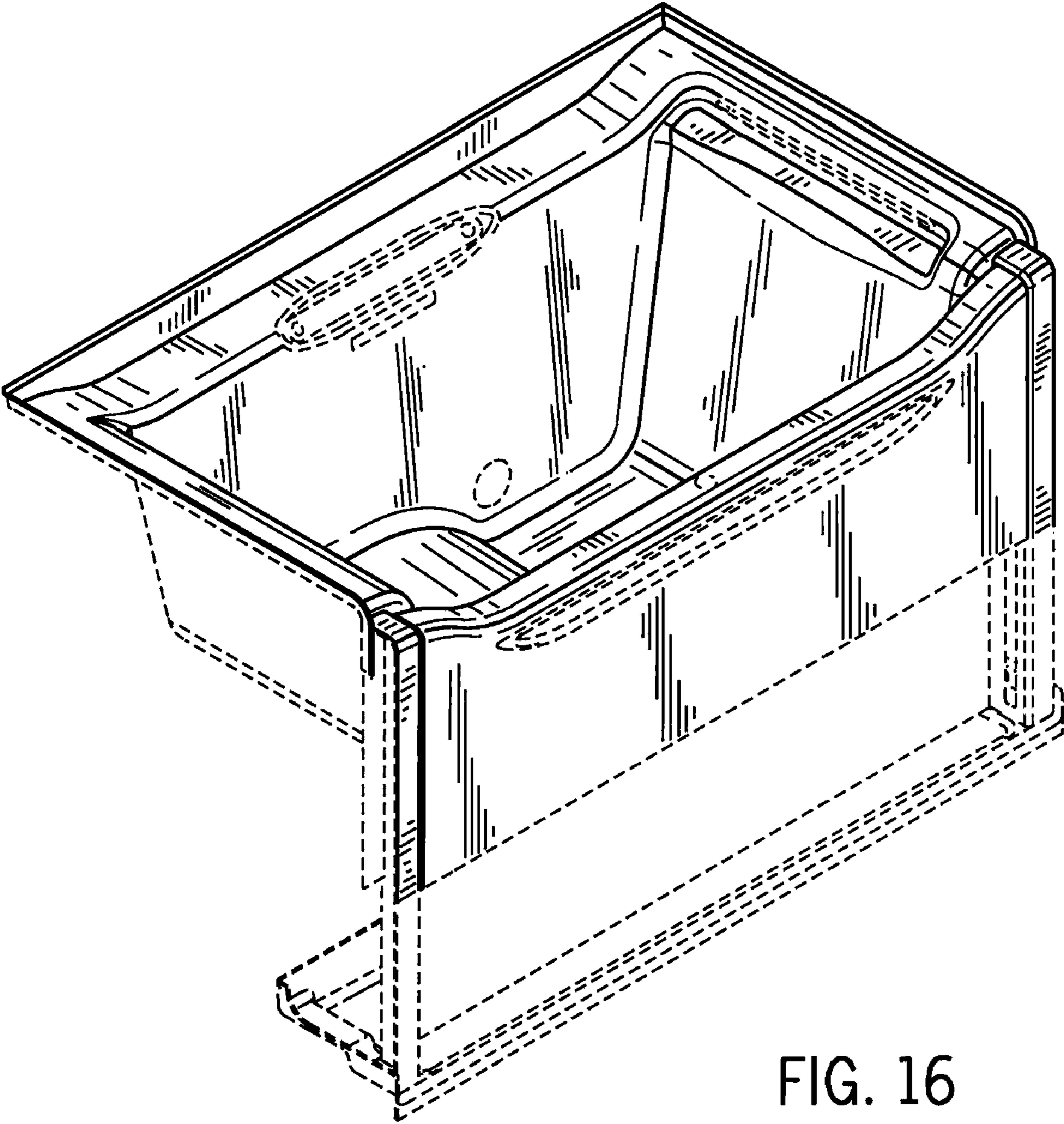


FIG. 16

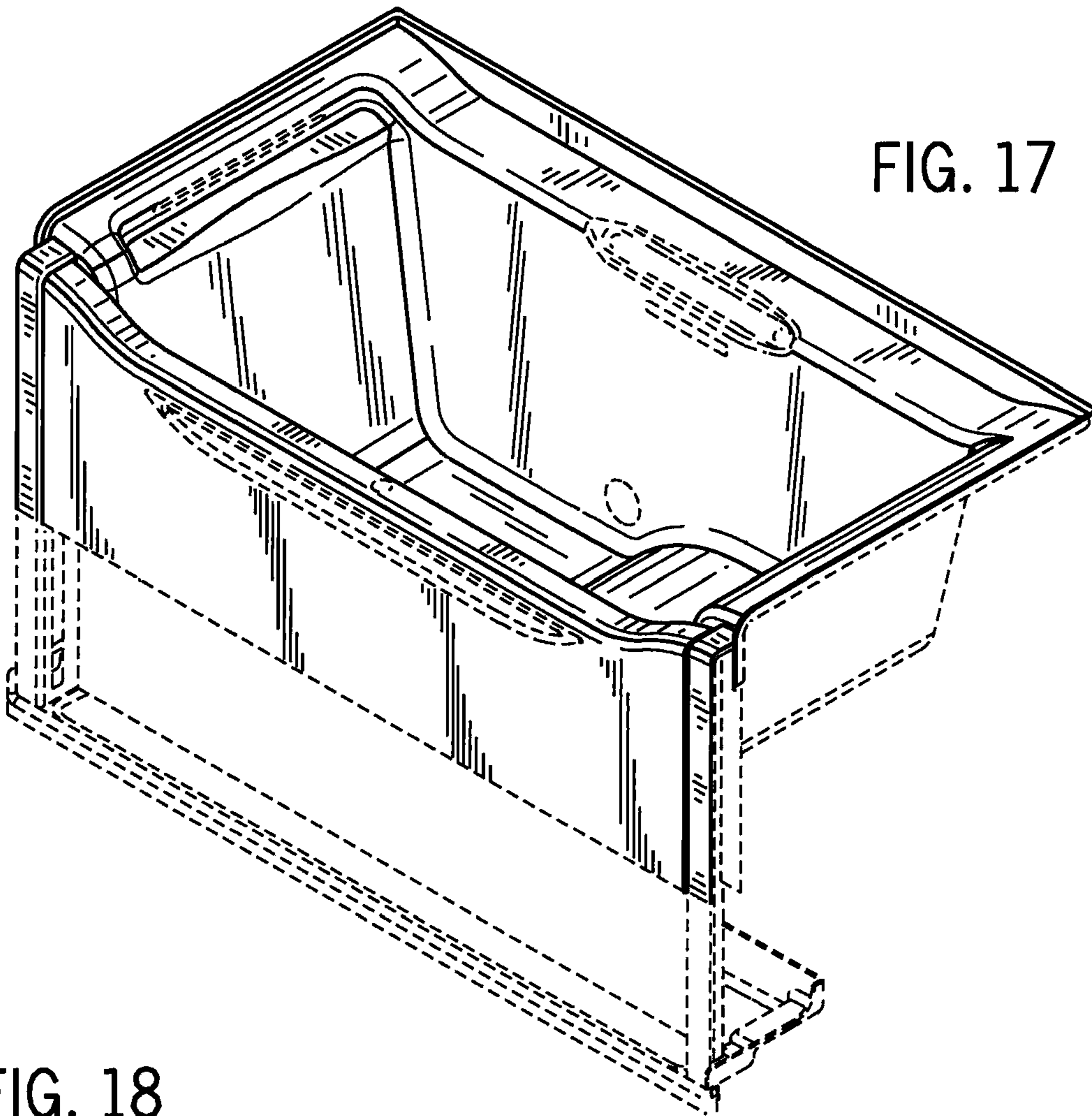
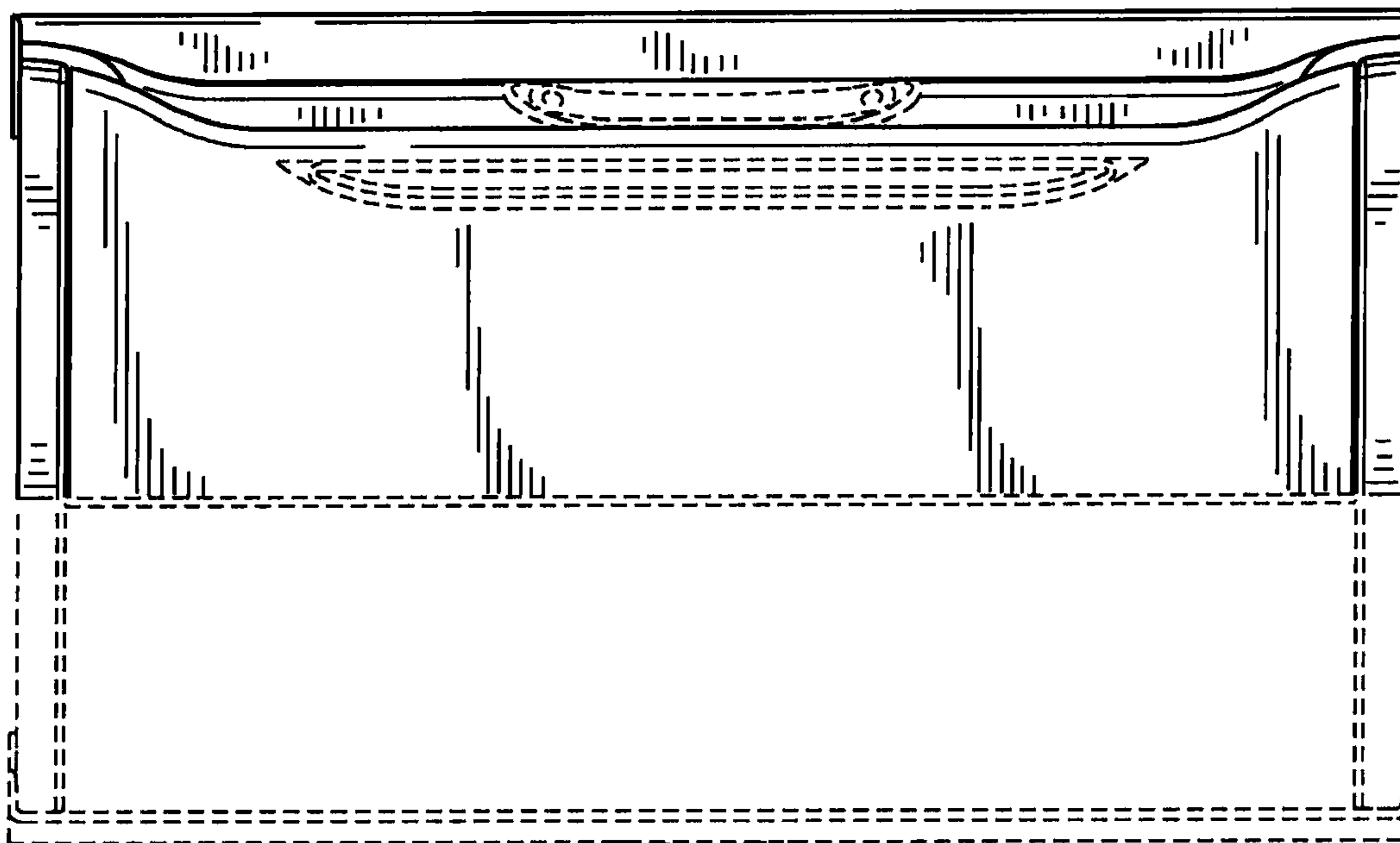


FIG. 18



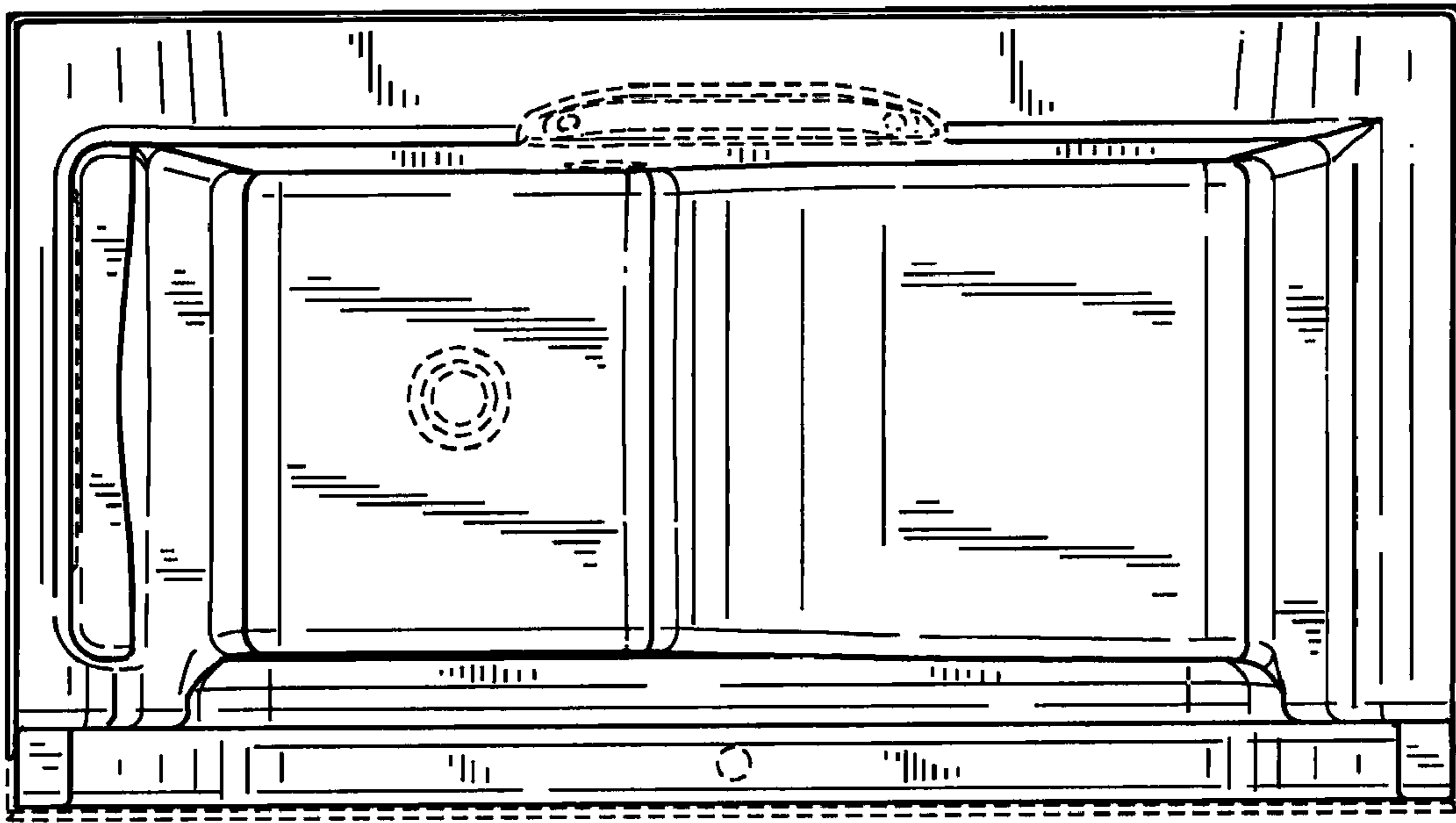


FIG. 19

FIG. 20

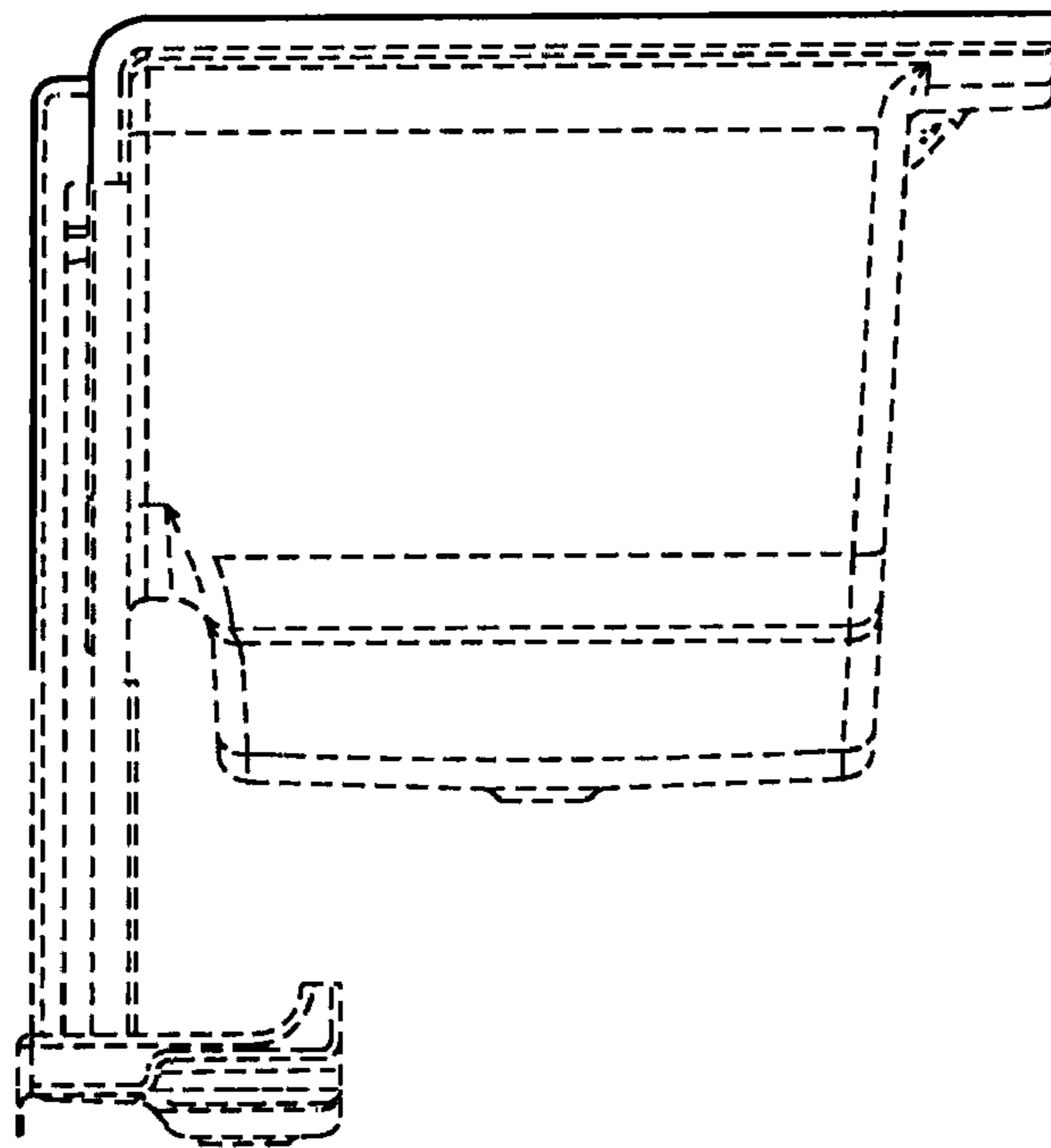


FIG. 21

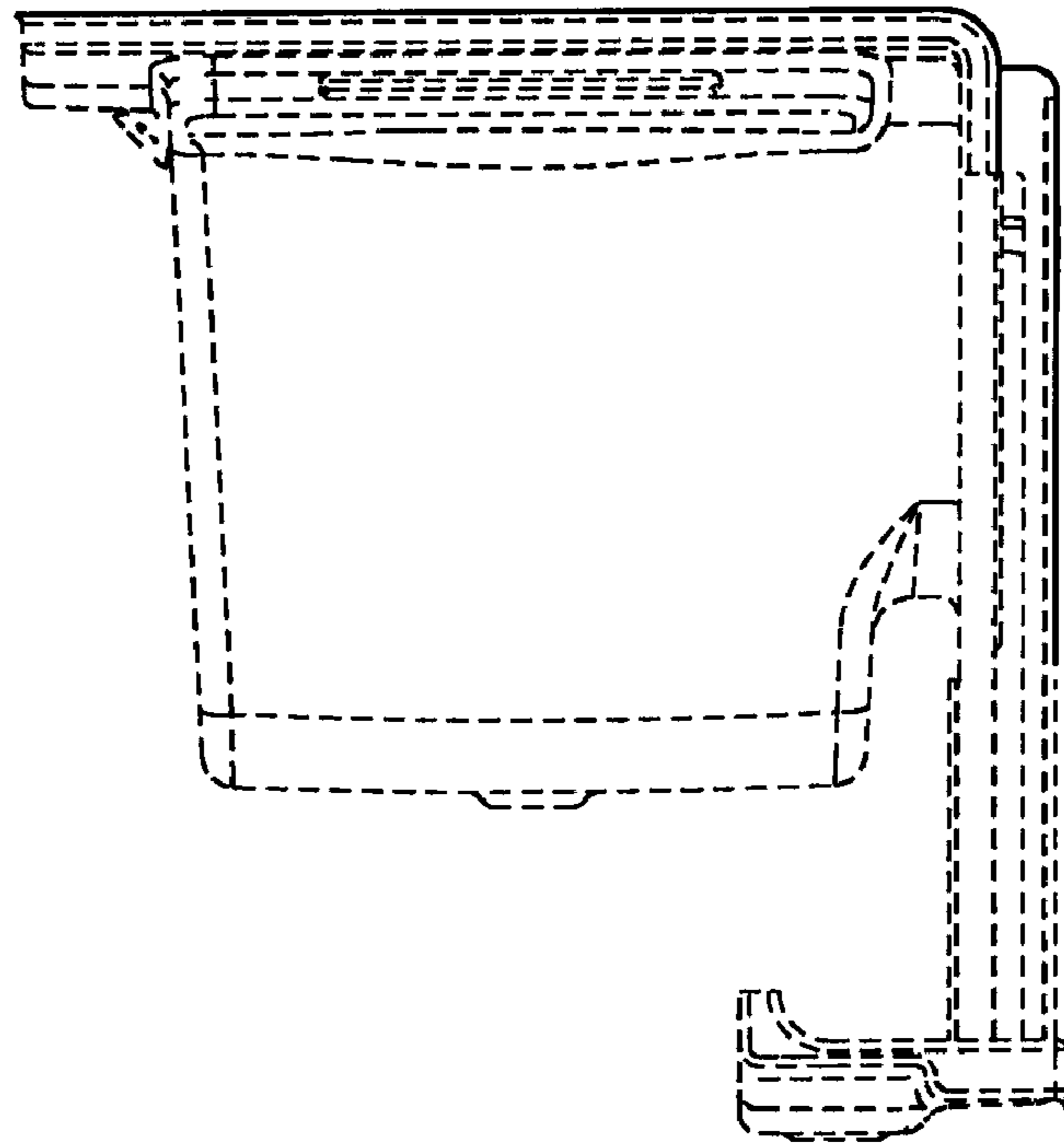
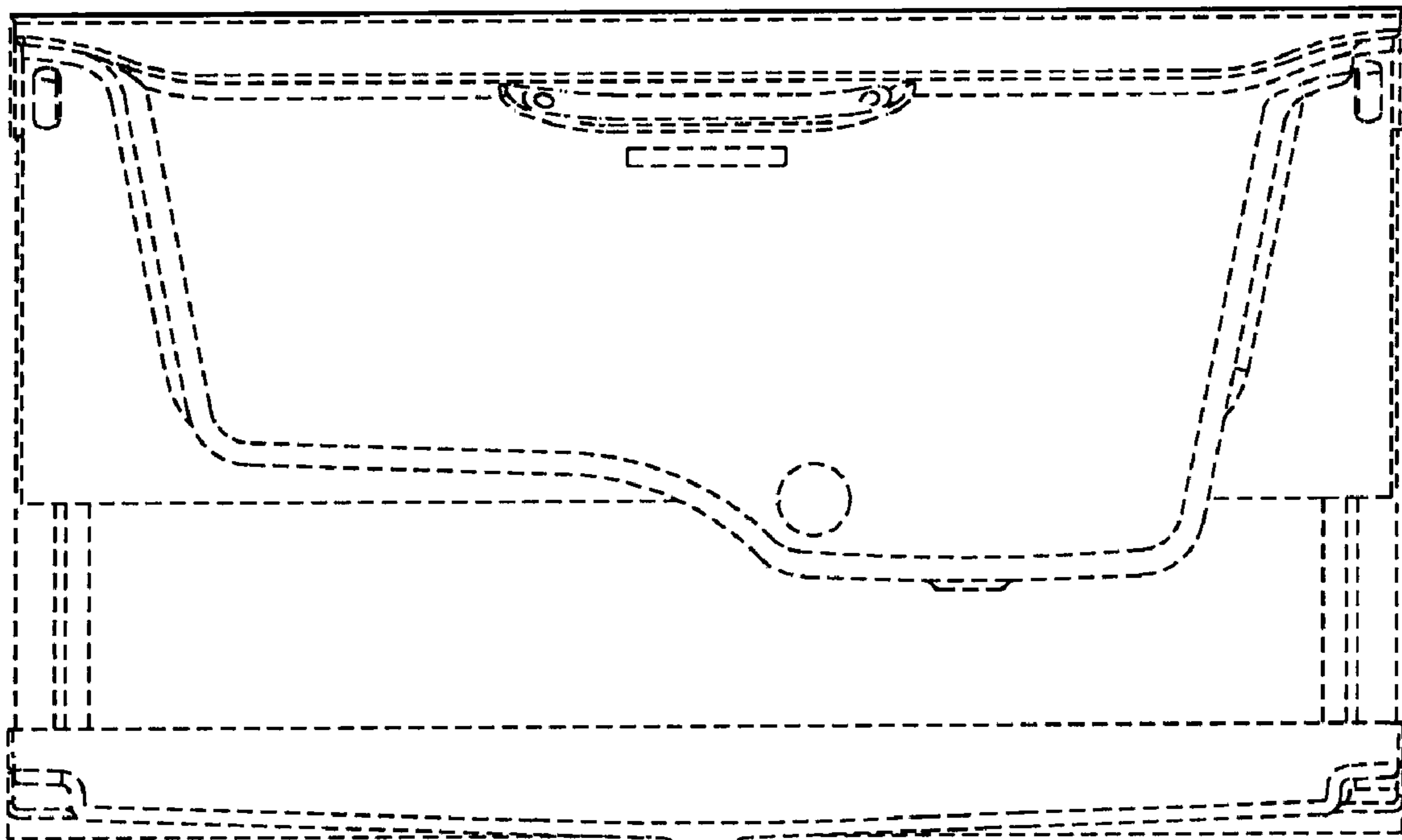


FIG. 22



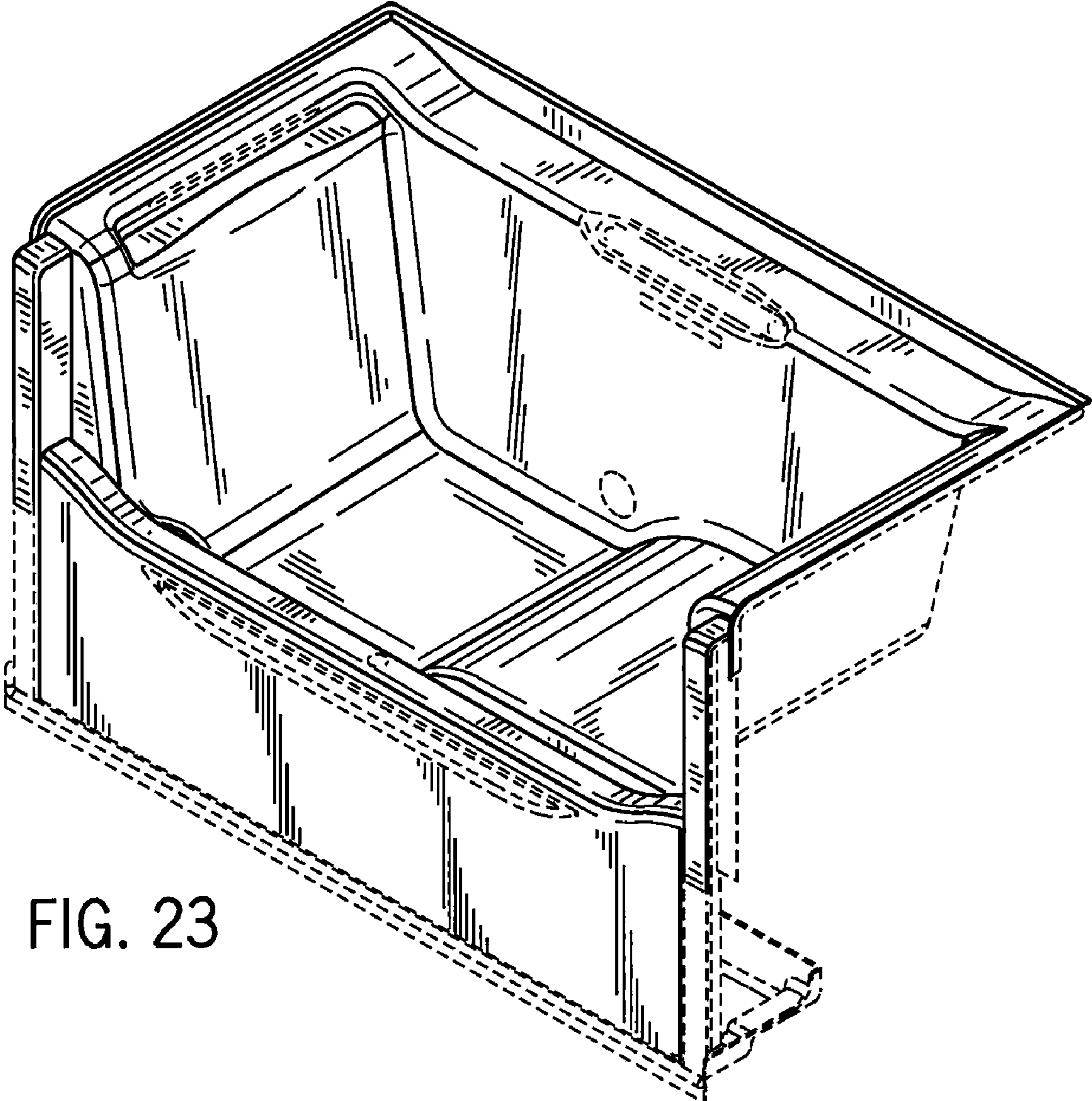


FIG. 23

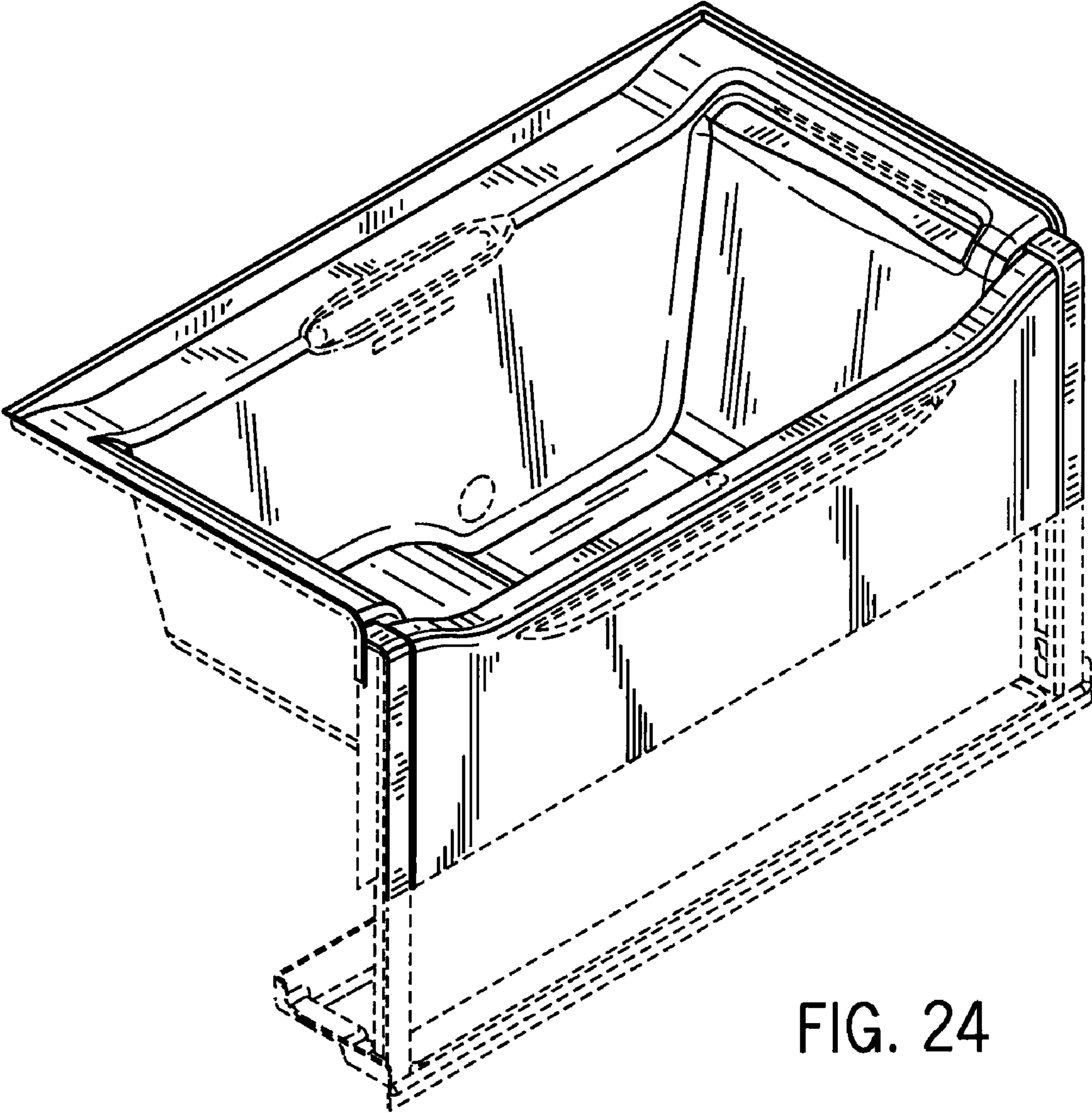


FIG. 24

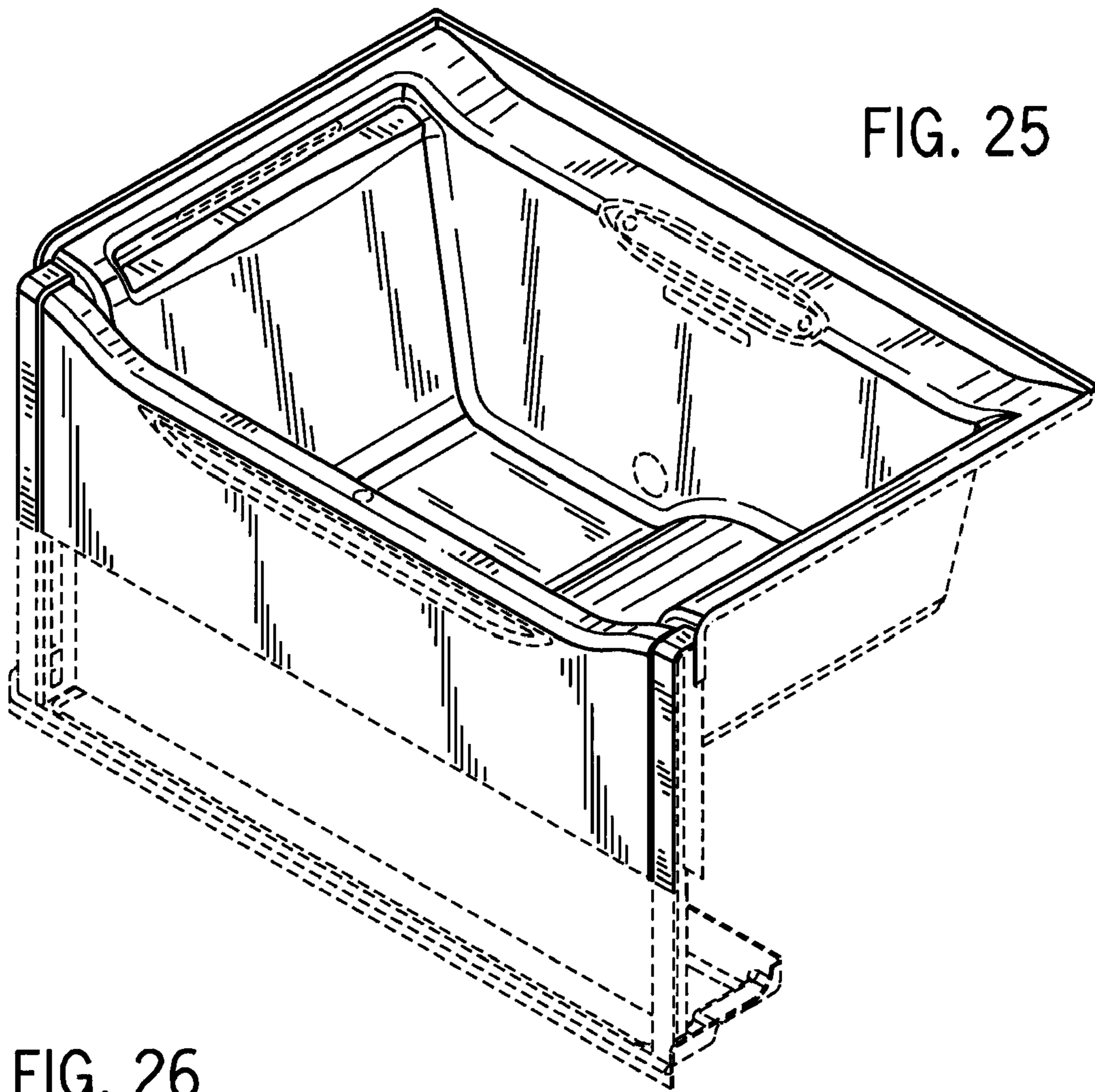
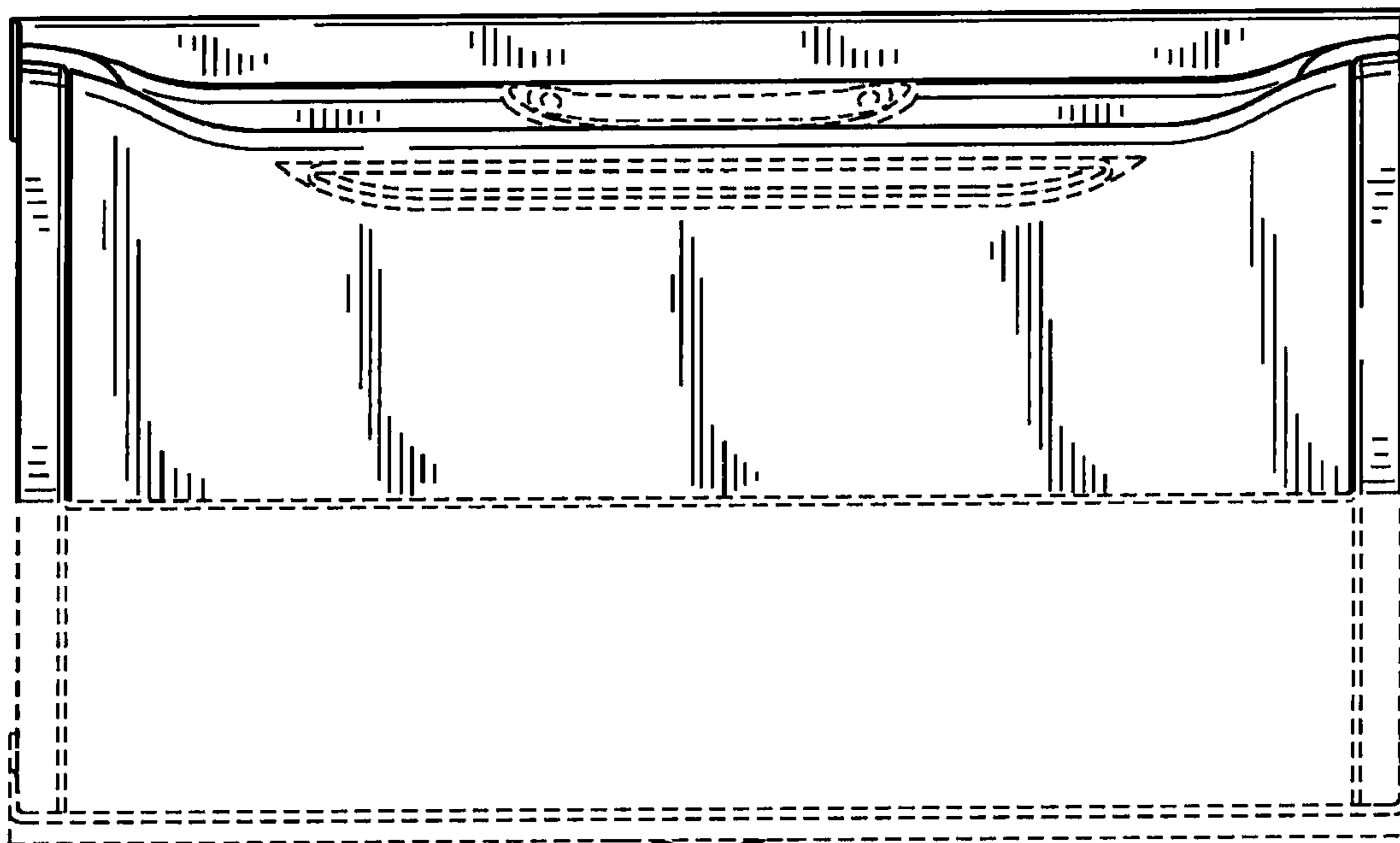


FIG. 26



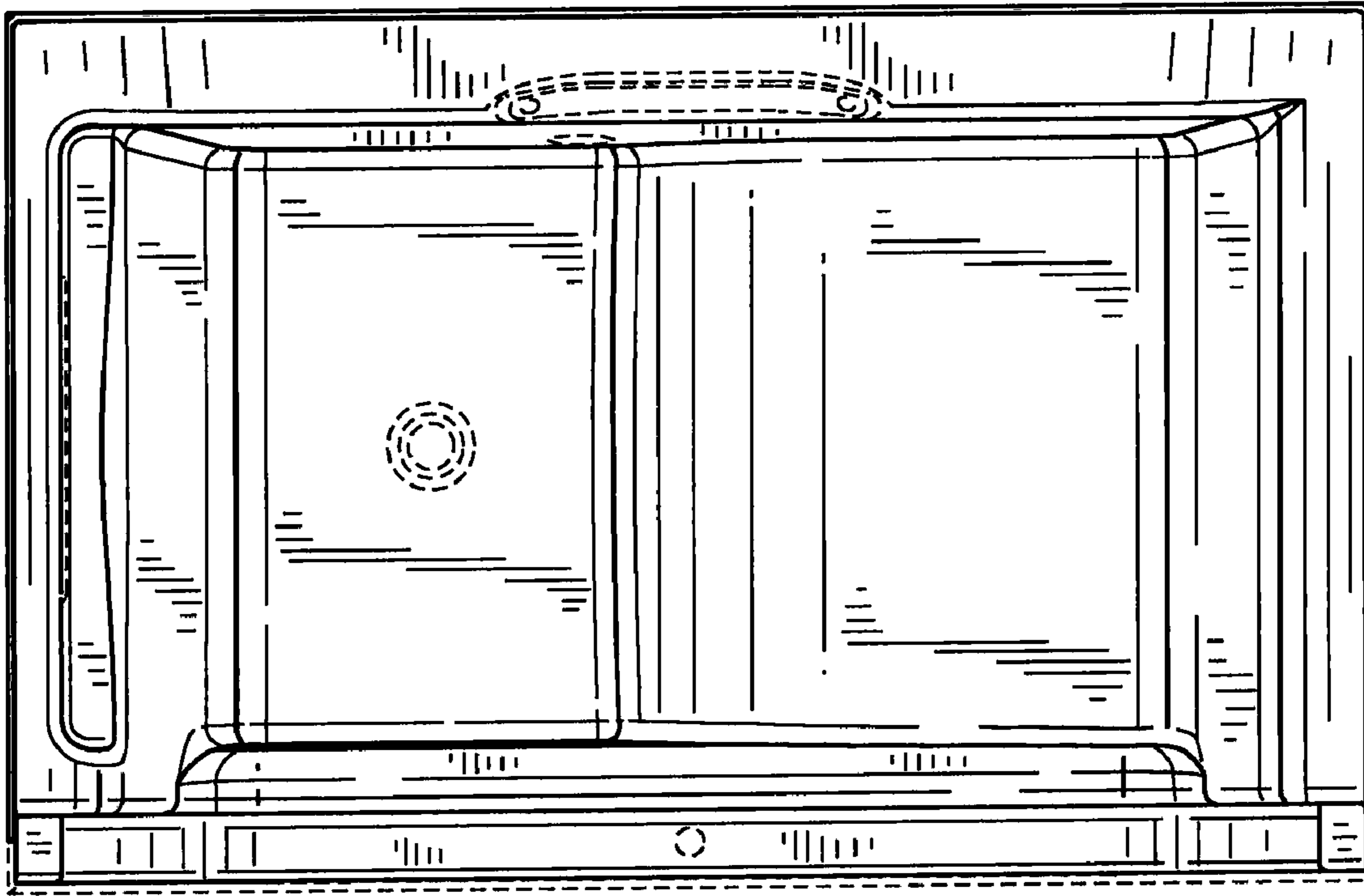


FIG. 27

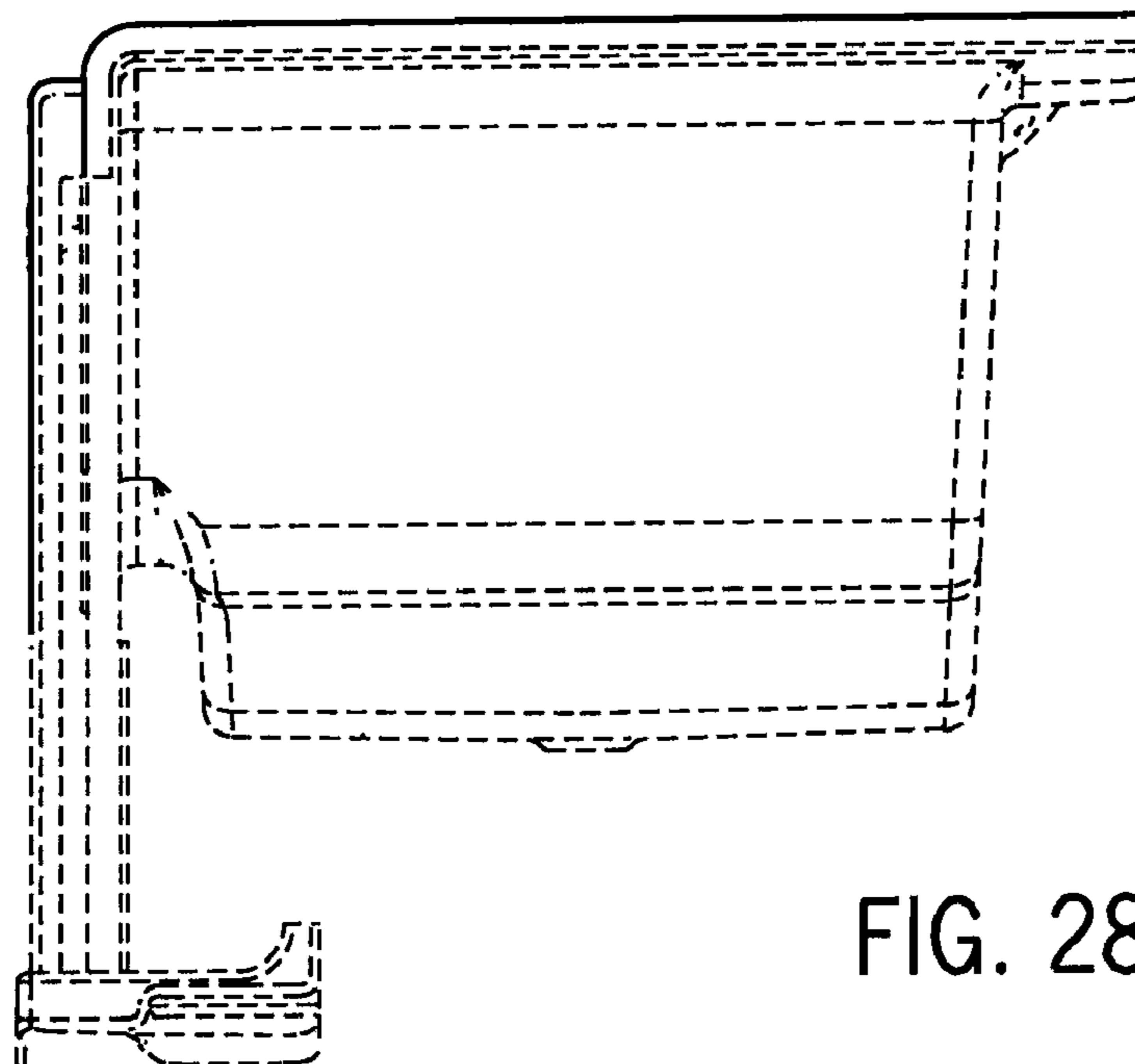


FIG. 28

FIG. 29

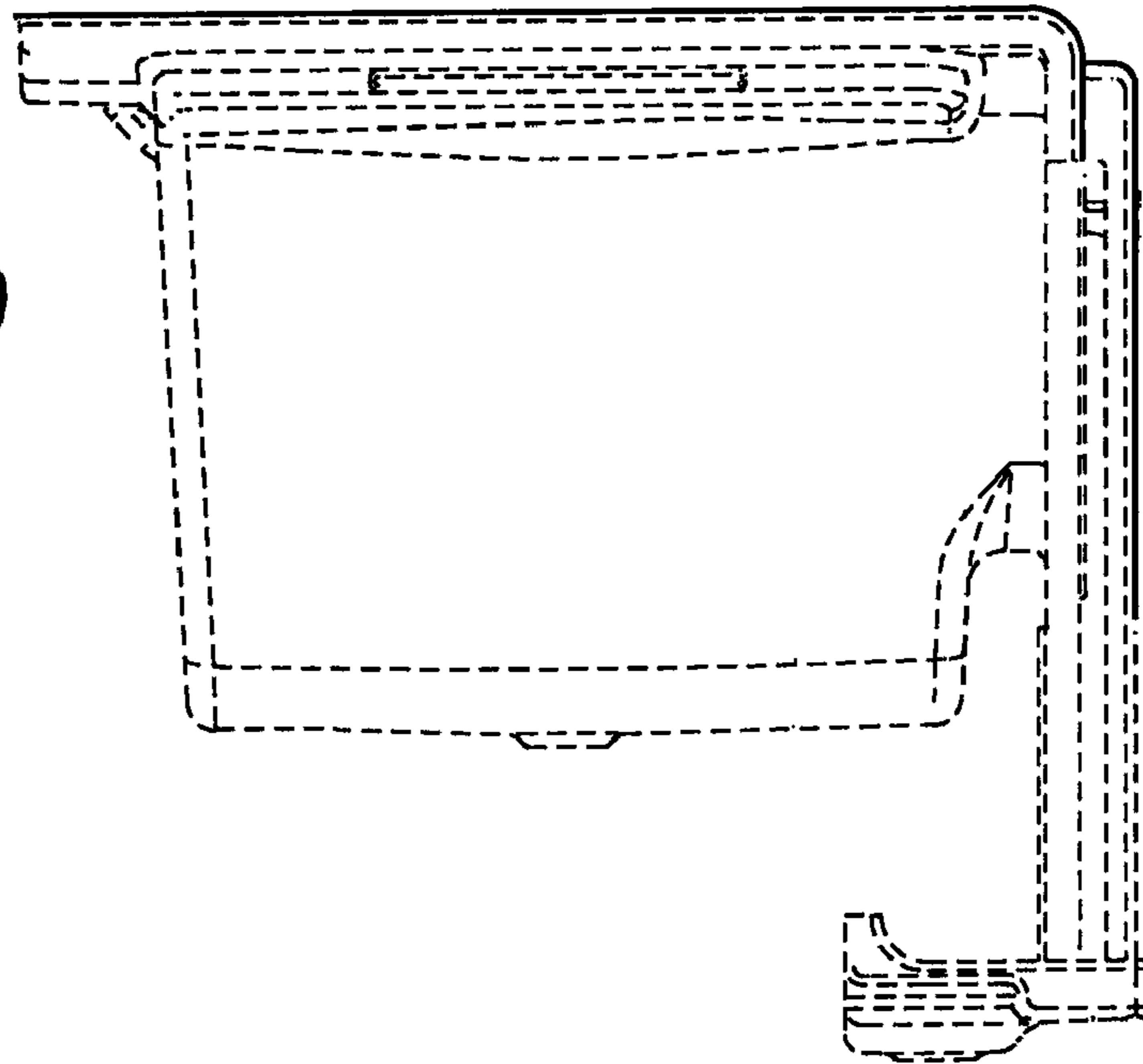
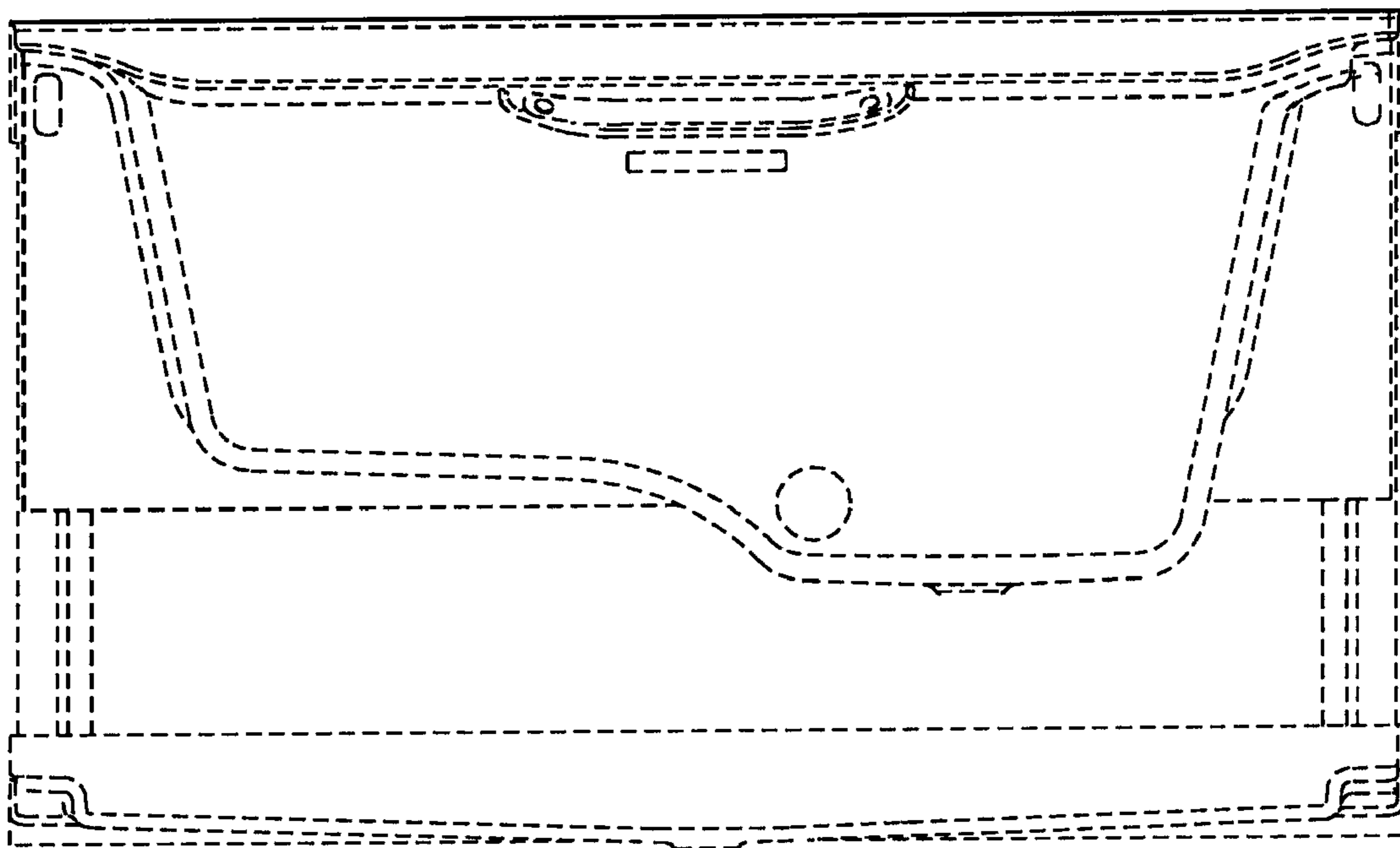


FIG. 30



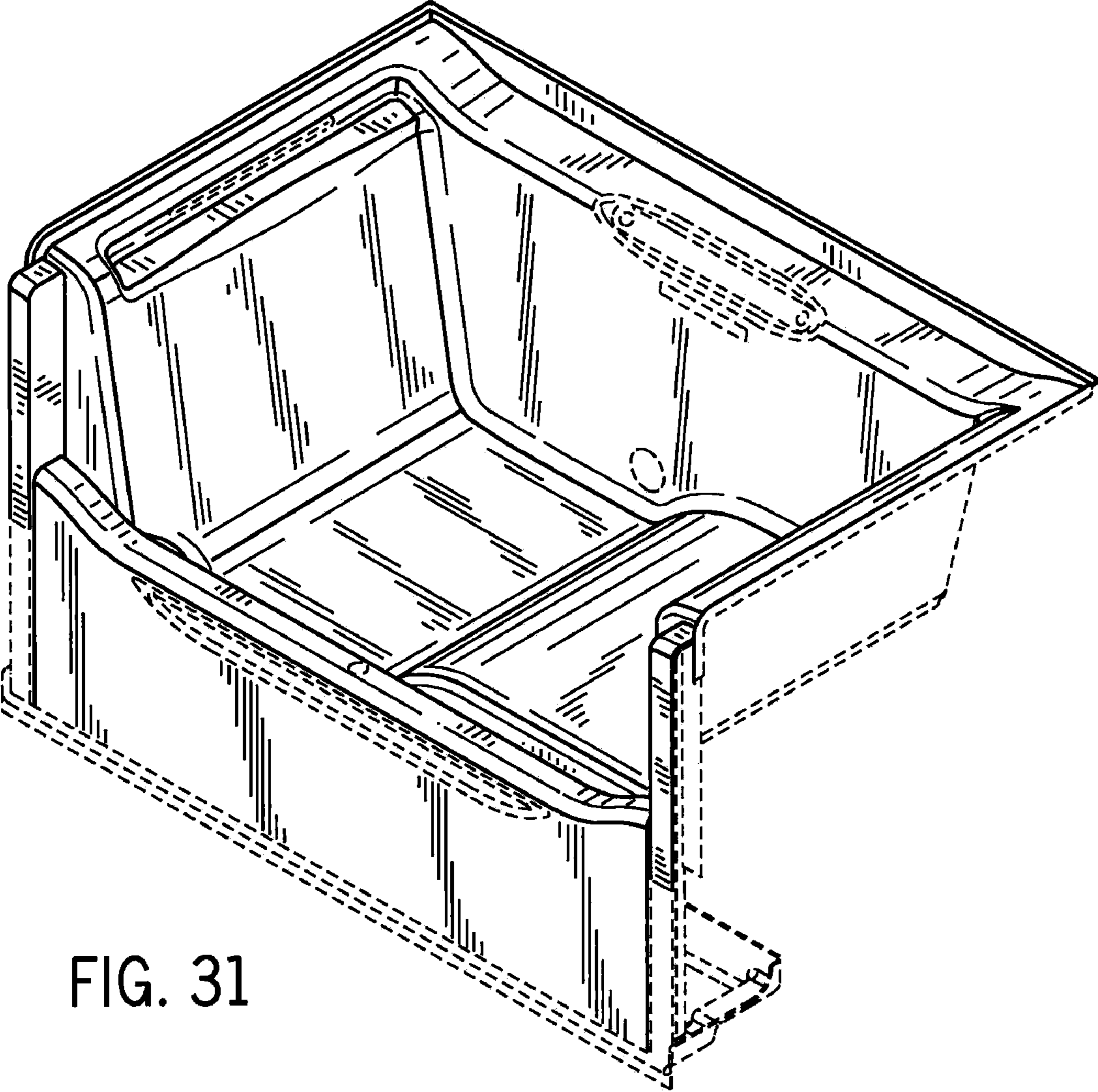


FIG. 31

FIG. 32

