



US00D613834S

(12) **United States Design Patent**
Kergoet

(10) **Patent No.:** **US D613,834 S**

(45) **Date of Patent:** **** Apr. 13, 2010**

(54) **TUB FOR BATHING**

(75) Inventor: **Francois Kergoet**, Malakoff (FR)

(73) Assignee: **Kohler France, SAS**, Paris (FR)

(**) Term: **14 Years**

(21) Appl. No.: **29/339,127**

(22) Filed: **Jun. 24, 2009**

(30) **Foreign Application Priority Data**

Dec. 24, 2008 (EM) 001063382-0001

(51) **LOC (9) Cl.** **23-02**

(52) **U.S. Cl.** **D23/277**

(58) **Field of Classification Search** D23/277,
D23/280.1–280.3, 304; 4/538; D24/204–205

See application file for complete search history.

(56) **References Cited**

U.S. PATENT DOCUMENTS

D295,781 S * 5/1988 Hubel D23/280.2

D594,940 S * 6/2009 Bates D23/277

OTHER PUBLICATIONS

Kohler Co. “Marlposa® 6’ Bath”. Model No. K-1259. Kohler Co
online catalog. Copyright 2009 Kohler Co.

MTI. “Kalliope 1 MTDS-51”. MTI catalog, p. B-47. Copyright 2006
by MTI Whirlpools, Inc.

* cited by examiner

Primary Examiner—Robert A Delehanty

(74) *Attorney, Agent, or Firm*—Quarles & Brady LLP

(57) **CLAIM**

The ornamental design for a tub for bathing, as shown and
described.

DESCRIPTION

FIG. 1 is a left, top, front perspective view of a tub for bathing
embodying our new design;

FIG. 2 is a front elevational view thereof;

FIG. 3 is a top plan view thereof;

FIG. 4 is a left side elevational view thereof;

FIG. 5 is a right side elevational view thereof;

FIG. 6 is a rear elevational view thereof; and,

FIG. 7 is a bottom plan view thereof.

The broken line representations in the figures are for the
purpose of illustration only, and form no part of the claimed
design.

In a preferred embodiment, the nature of this product is as a
plumbing fixture in the form of a bathing tub primary useful
for washing the human body.

1 Claim, 3 Drawing Sheets

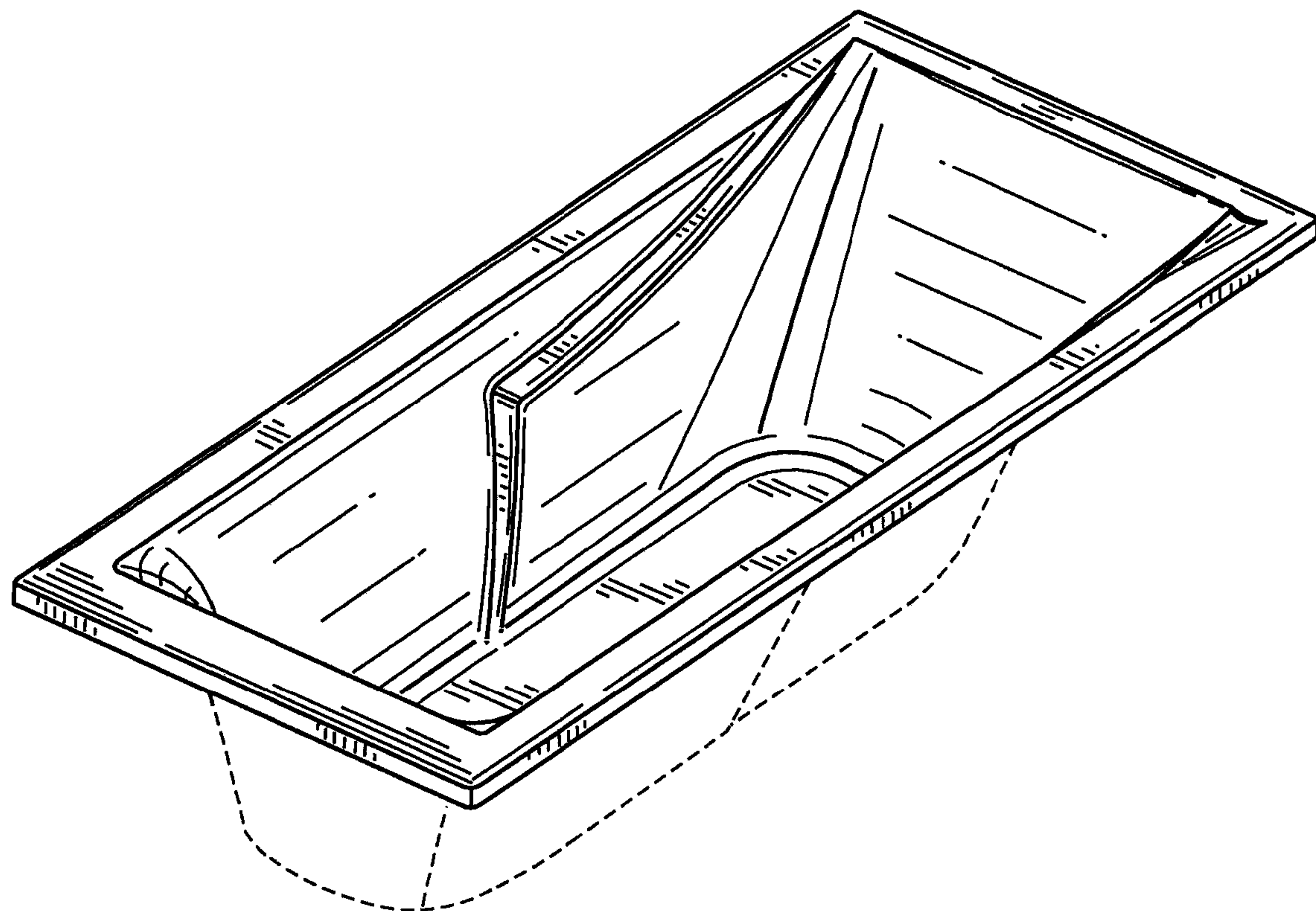


FIG. 1

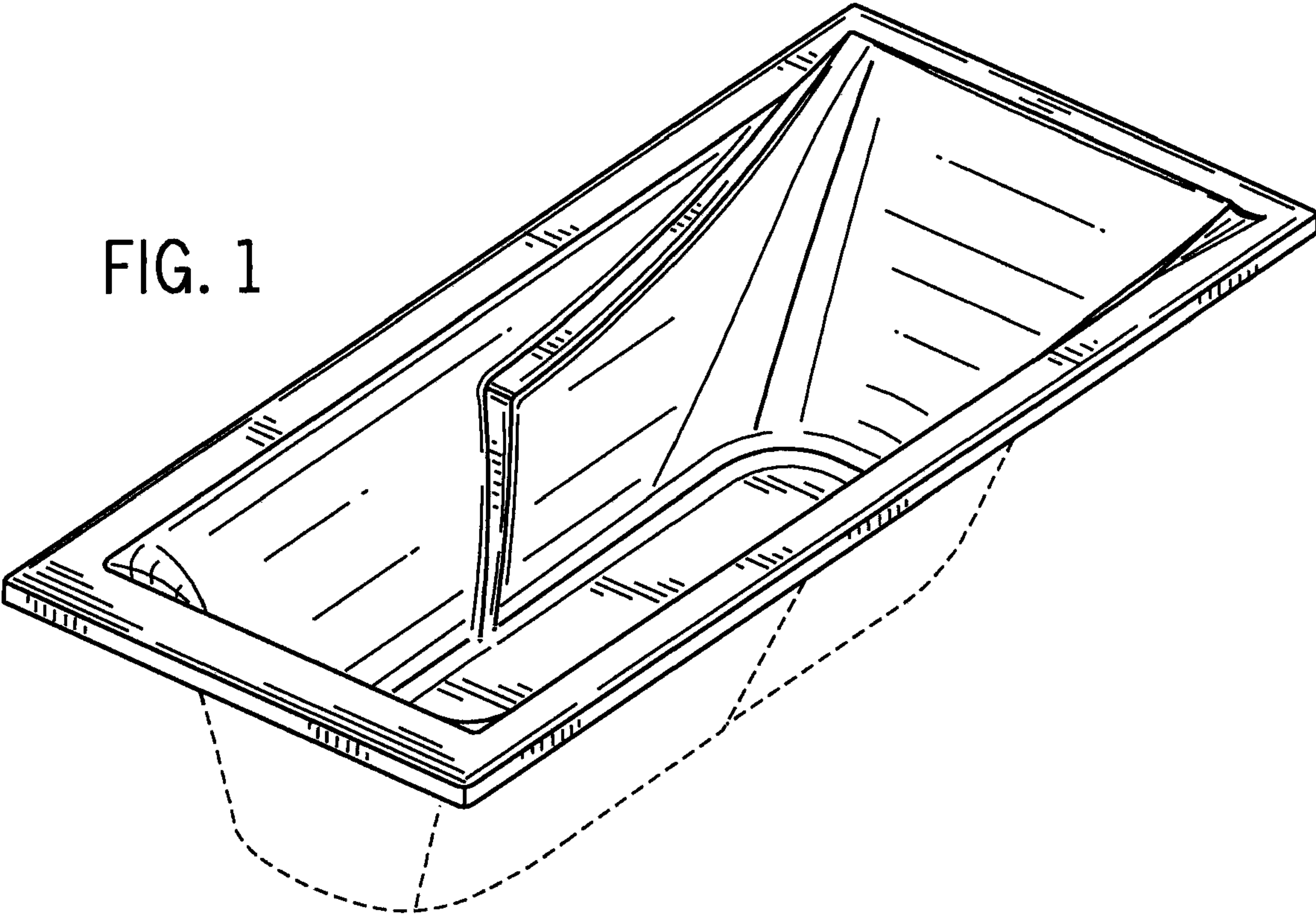
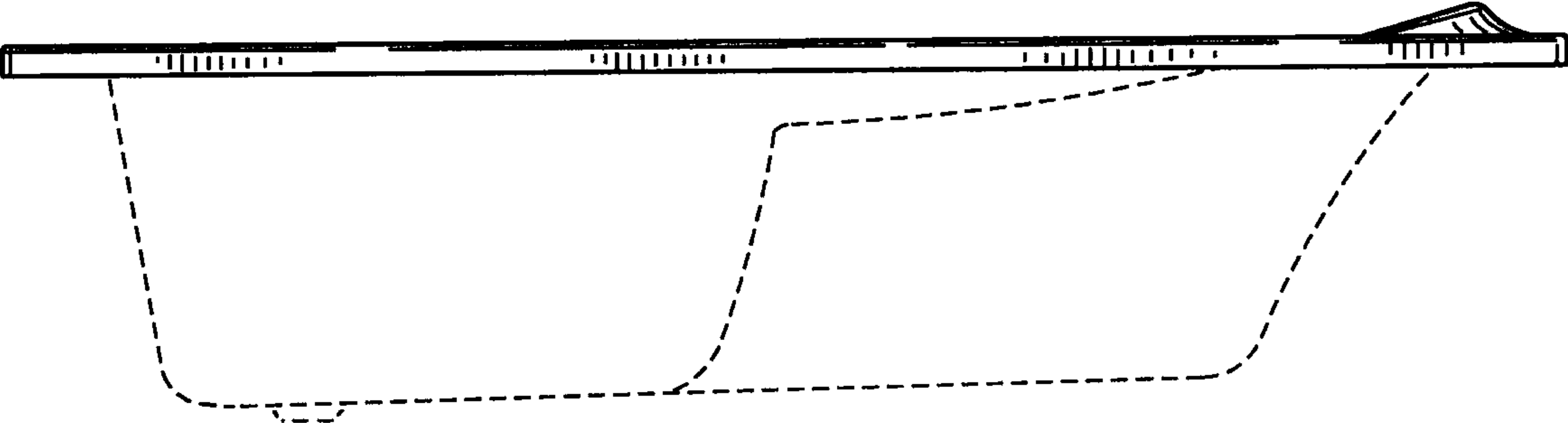


FIG. 2



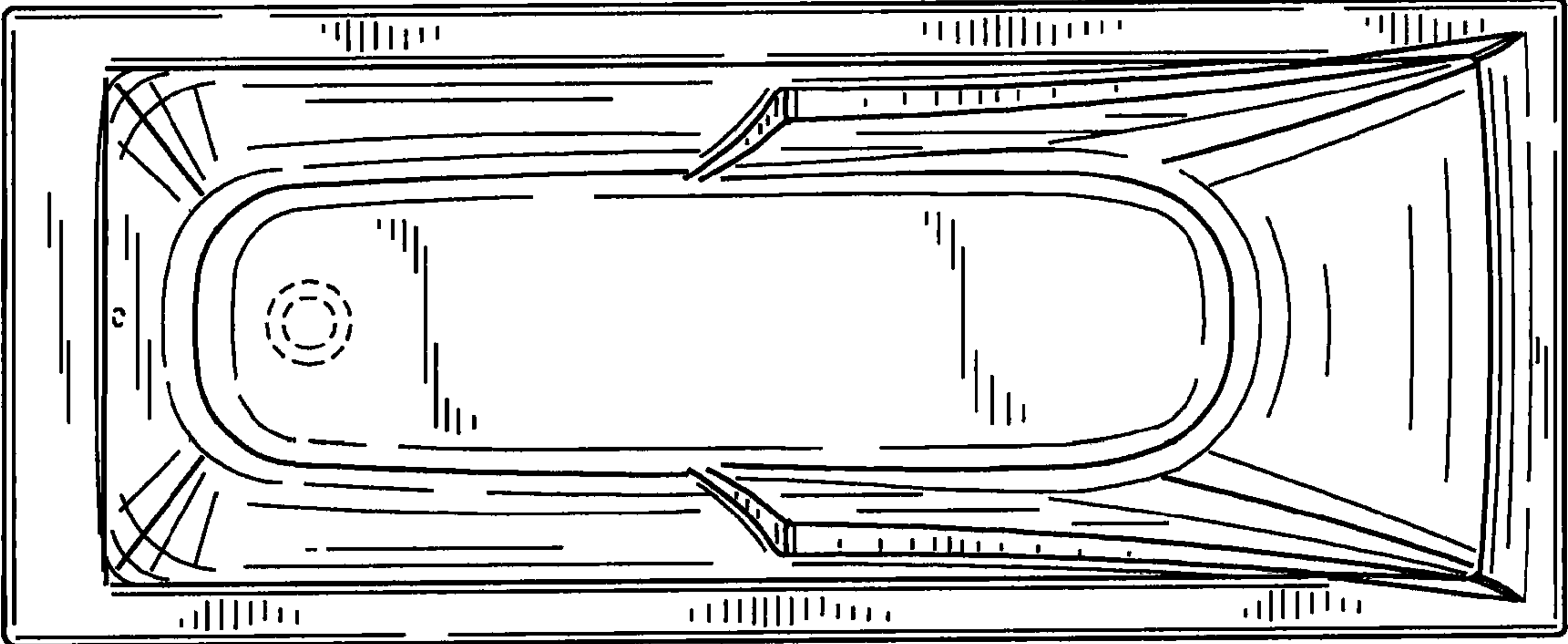


FIG. 3

FIG. 4

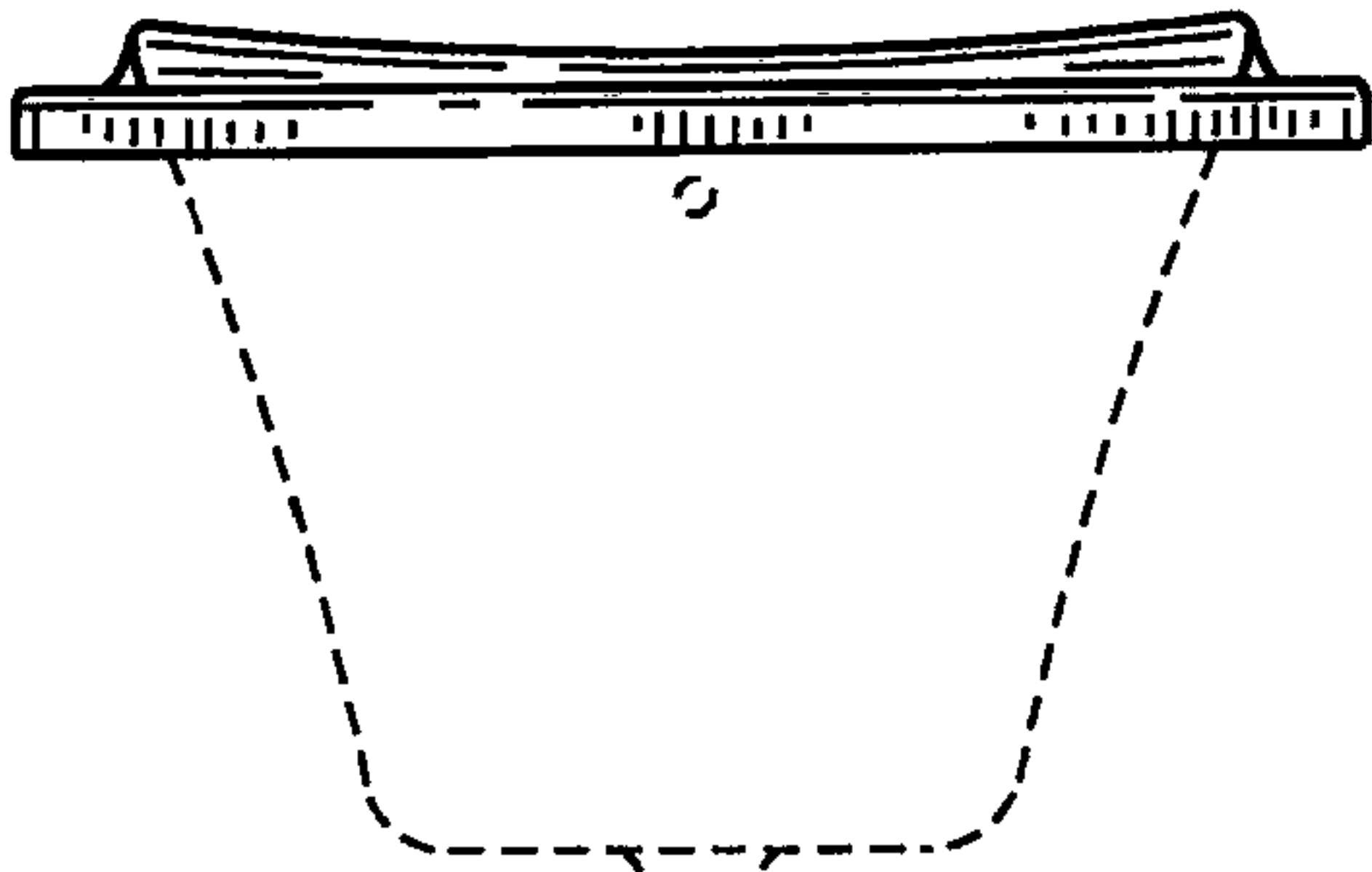


FIG. 5

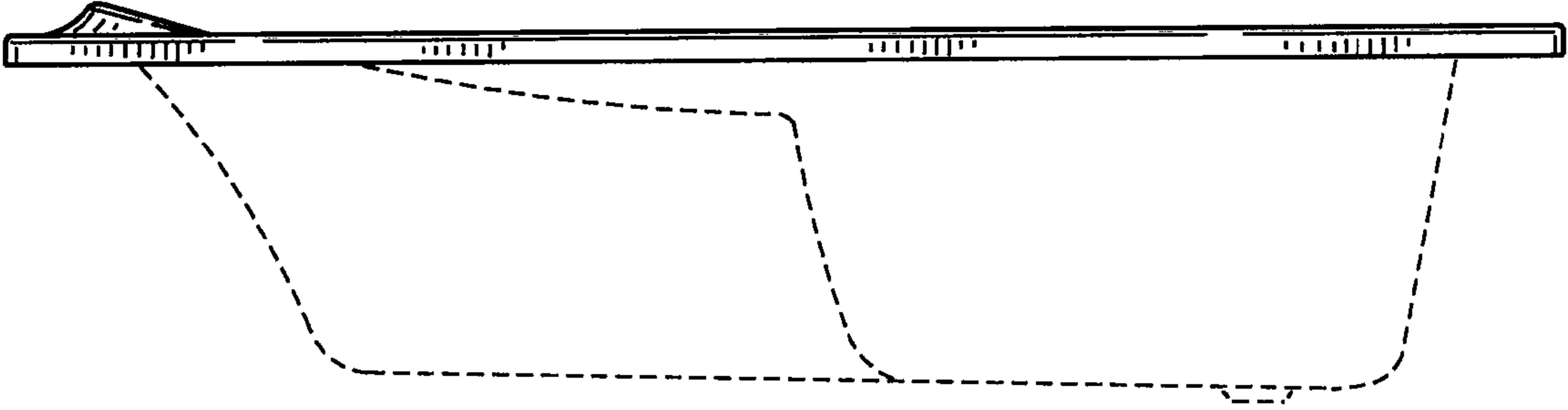
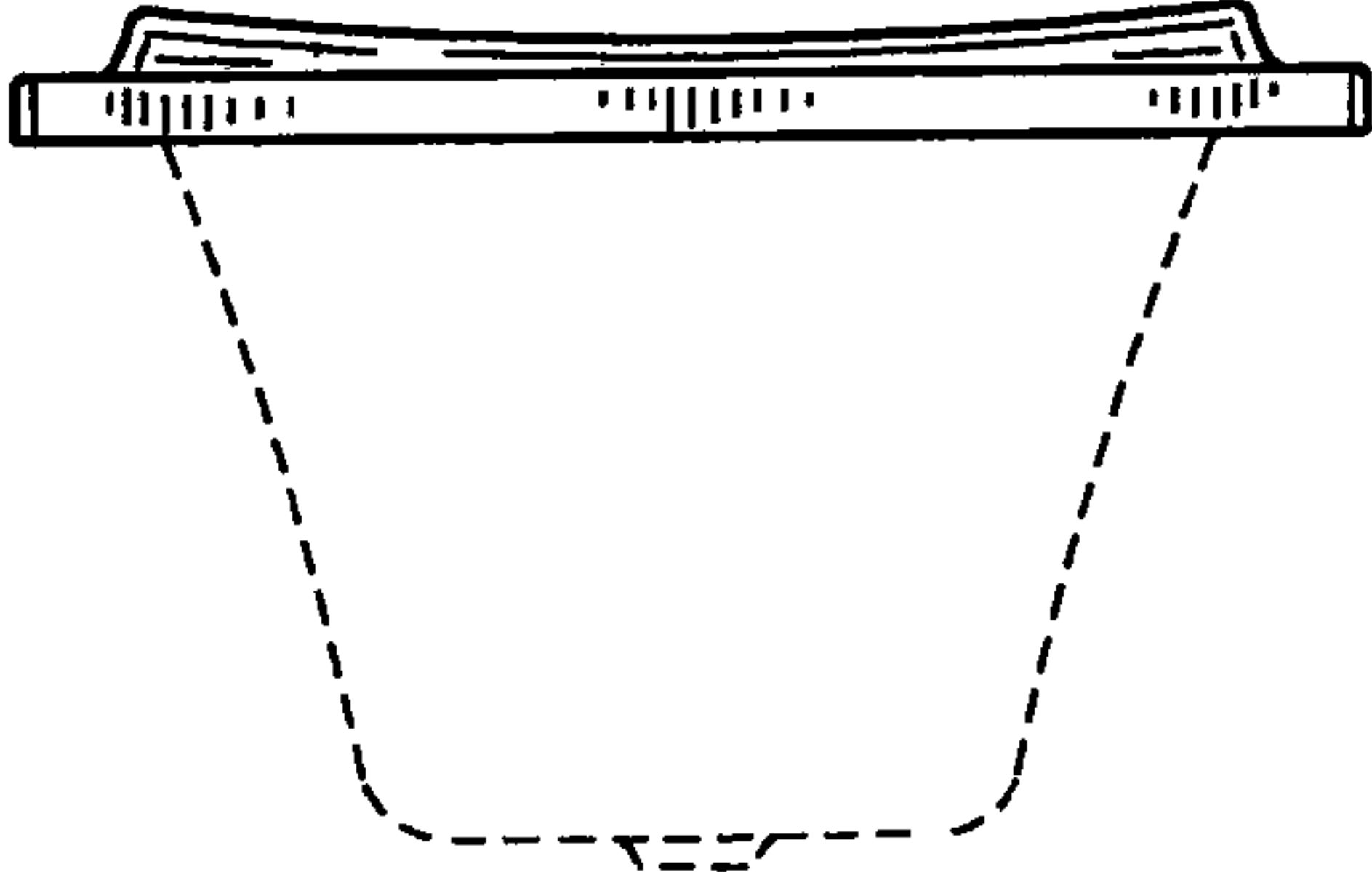


FIG. 6

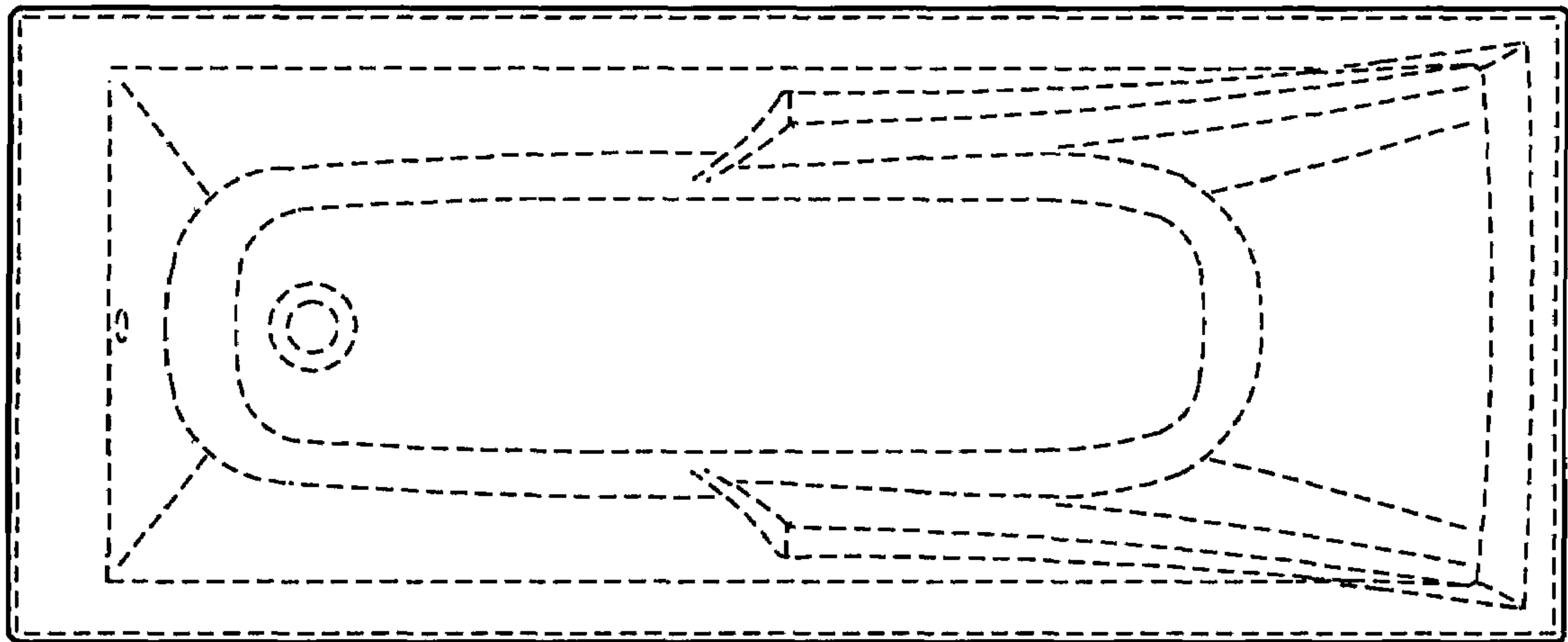


FIG. 7