



US00D613833S

(12) **United States Design Patent**  
**Bates**

(10) **Patent No.:** **US D613,833 S**  
(45) **Date of Patent:** **\*\* Apr. 13, 2010**

(54) **TUB FOR BATHING**

(75) Inventor: **Michael R. Bates**, Sheboygan, WI (US)

(73) Assignee: **Kohler Co.**, Kohler, WI (US)

(\*\*) Term: **14 Years**

(21) Appl. No.: **29/331,593**

(22) Filed: **Jan. 28, 2009**

(51) **LOC (9) Cl.** ..... **23-02**

(52) **U.S. Cl.** ..... **D23/277**

(58) **Field of Classification Search** ..... D23/277,  
D23/280.1–280.3, 304; 4/538; D24/204–205;  
D6/583, 586

See application file for complete search history.

(56) **References Cited**

**U.S. PATENT DOCUMENTS**

D185,357 S *	6/1959	Furiness	.....	D6/586
D228,133 S *	8/1973	Lippert	.....	D23/280.3
D250,830 S	1/1979	Clement		
D482,763 S *	11/2003	Thomas	.....	D23/280.1
D527,083 S	8/2006	Lebrun, et al.		
D530,402 S *	10/2006	Soulier	.....	D23/280.1

**OTHER PUBLICATIONS**

Kohler Co. “Tableau® wall-mount lavatory”. Model No. K-14293.  
Kohler Co. online catalog. Copyright 2009 Kohler Co.

Kohler Co. “Kathryn 5.5’ Bath with Integral Tile Flange and Right-Hand Drain”. Model No. K-804-R. Kohler Co. online catalog. Copyright 2009 Kohler Co.

\* cited by examiner

*Primary Examiner*—Robert A Delehanty

(74) *Attorney, Agent, or Firm*—Quarles & Brady LLP

(57) **CLAIM**

The ornamental design for a tub for bathing, as shown and described.

**DESCRIPTION**

FIG. 1 is a right, top, front perspective view of a tub for bathing embodying my new design;

FIG. 2 is a top plan view thereof;

FIG. 3 is a front elevational view thereof, the rear elevational view thereof being a mirror image of the front shown;

FIG. 4 is a right side elevational view thereof;

FIG. 5 is a left side elevational view thereof;

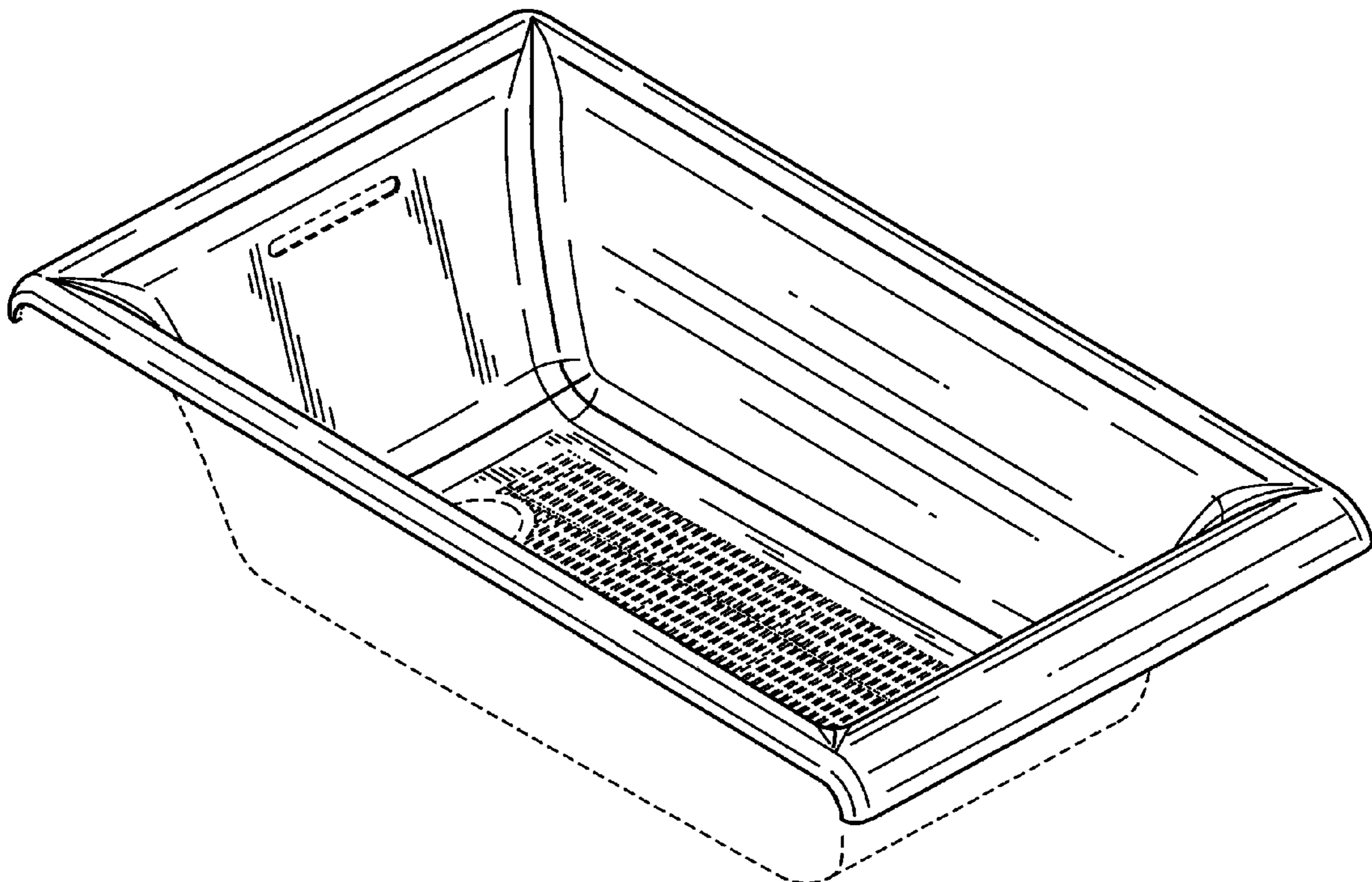
FIG. 6 is a bottom plan view thereof; and,

FIG. 7 is a sectional view taken along line 7—7 of FIG. 3.

The broken line representations in the figures are for the purpose of illustration only, and form no part of the claimed design.

In a preferred embodiment, the nature of this product is as a plumbing fixture in the form of a bathing tub primary useful for washing the human body.

**1 Claim, 4 Drawing Sheets**



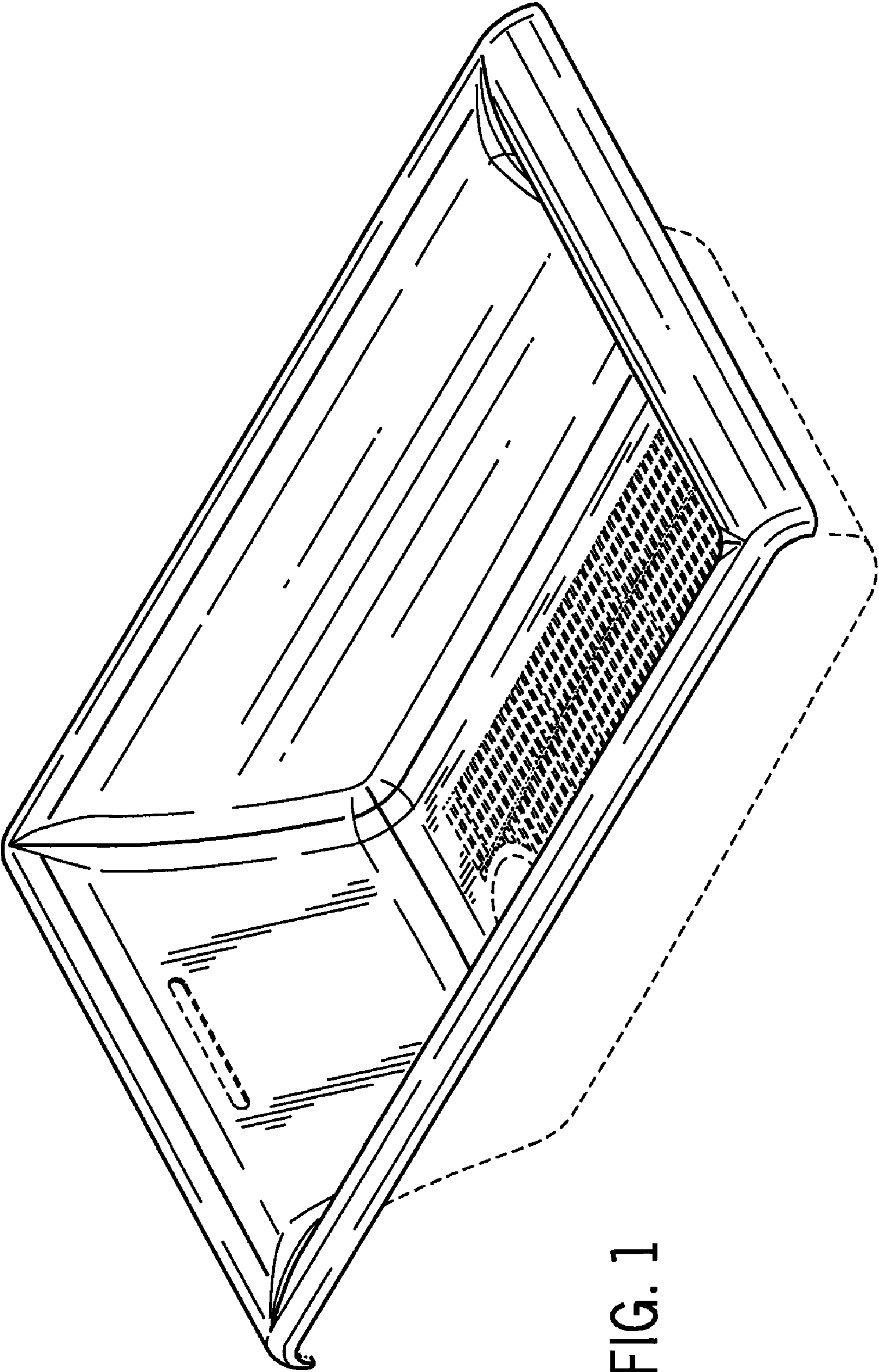


FIG. 1

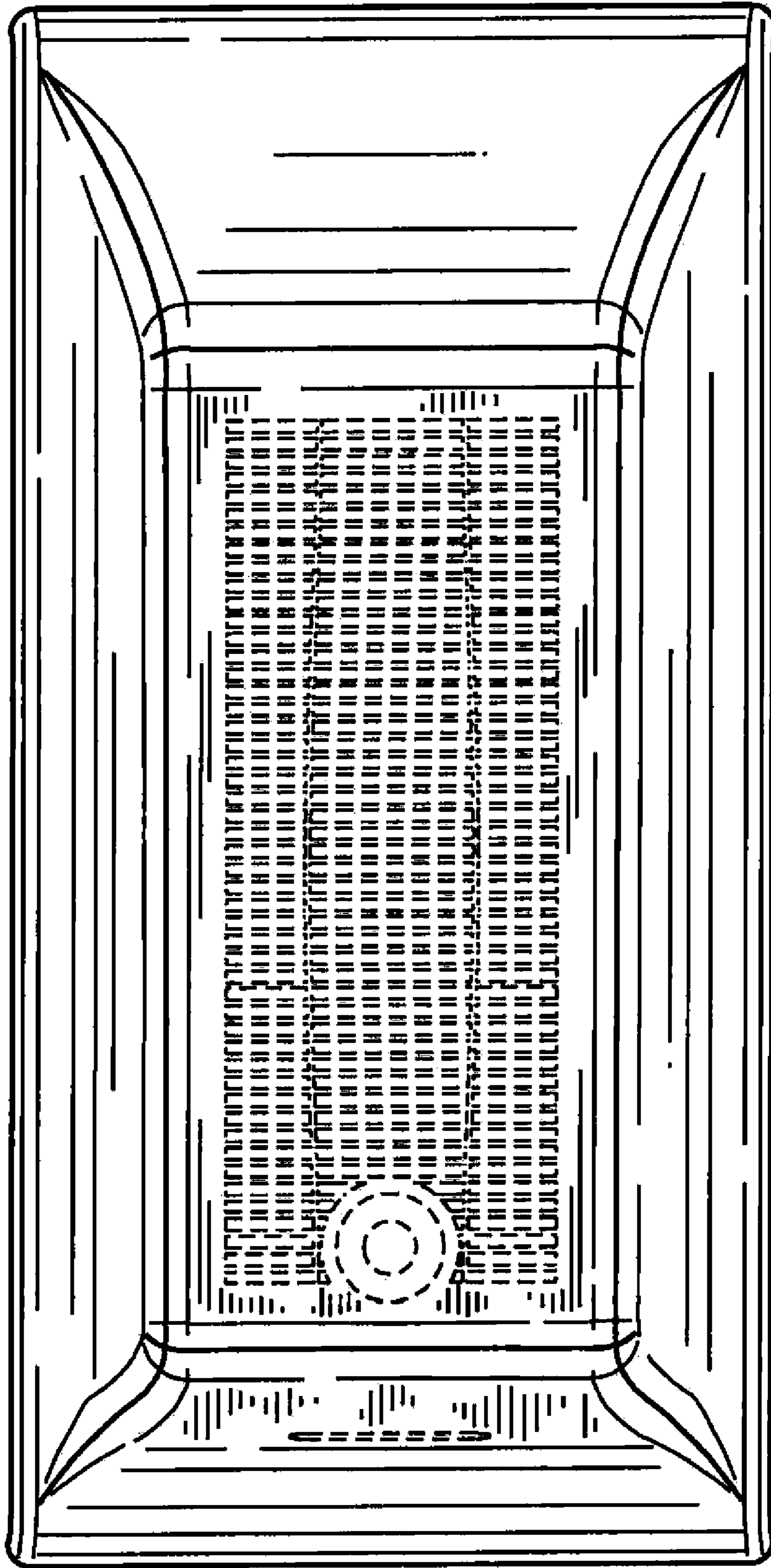


FIG. 2

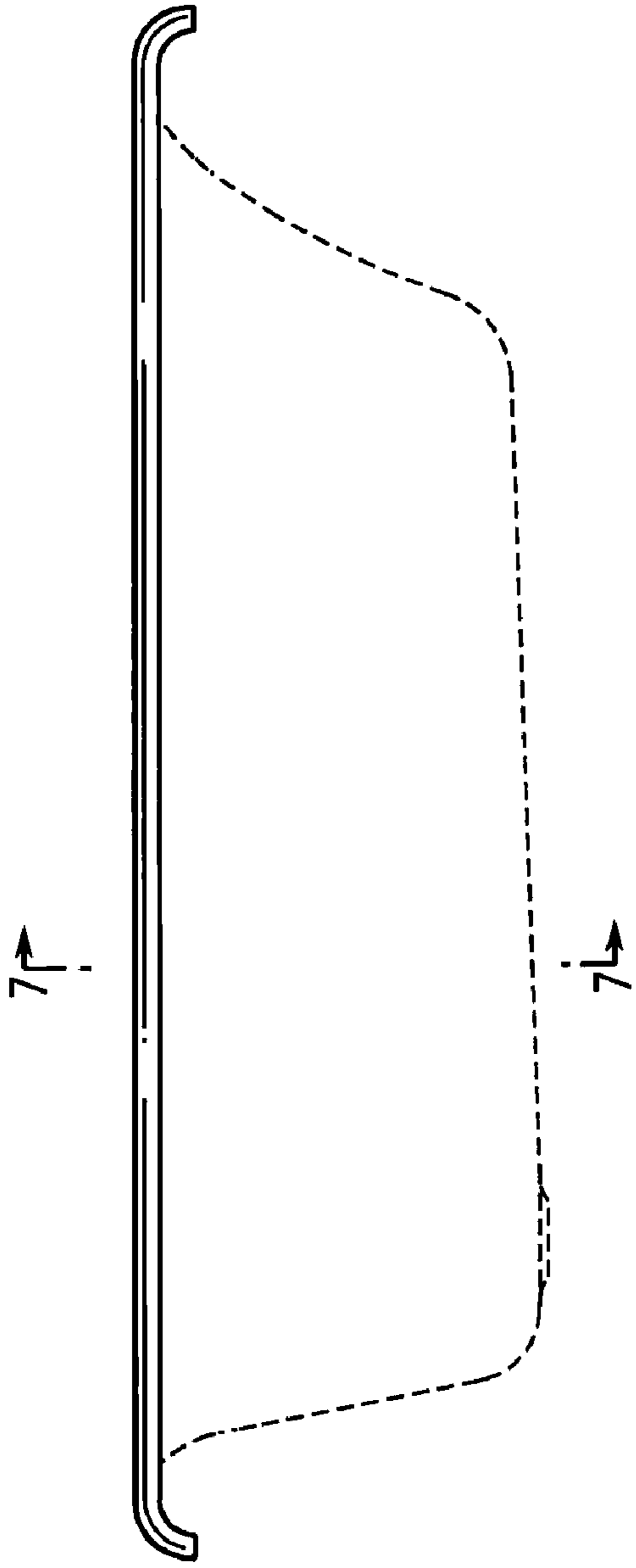


FIG. 3

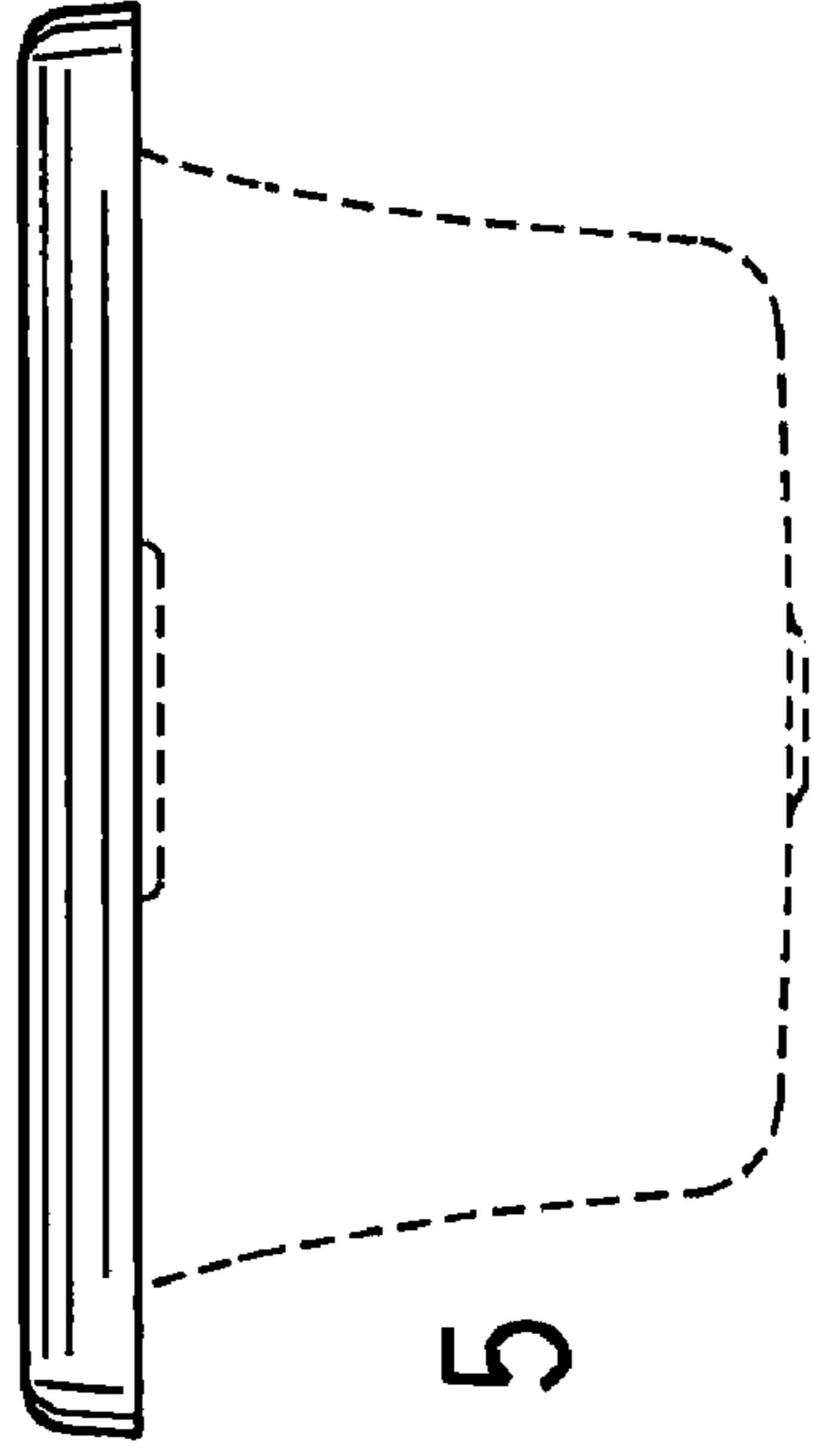


FIG. 5

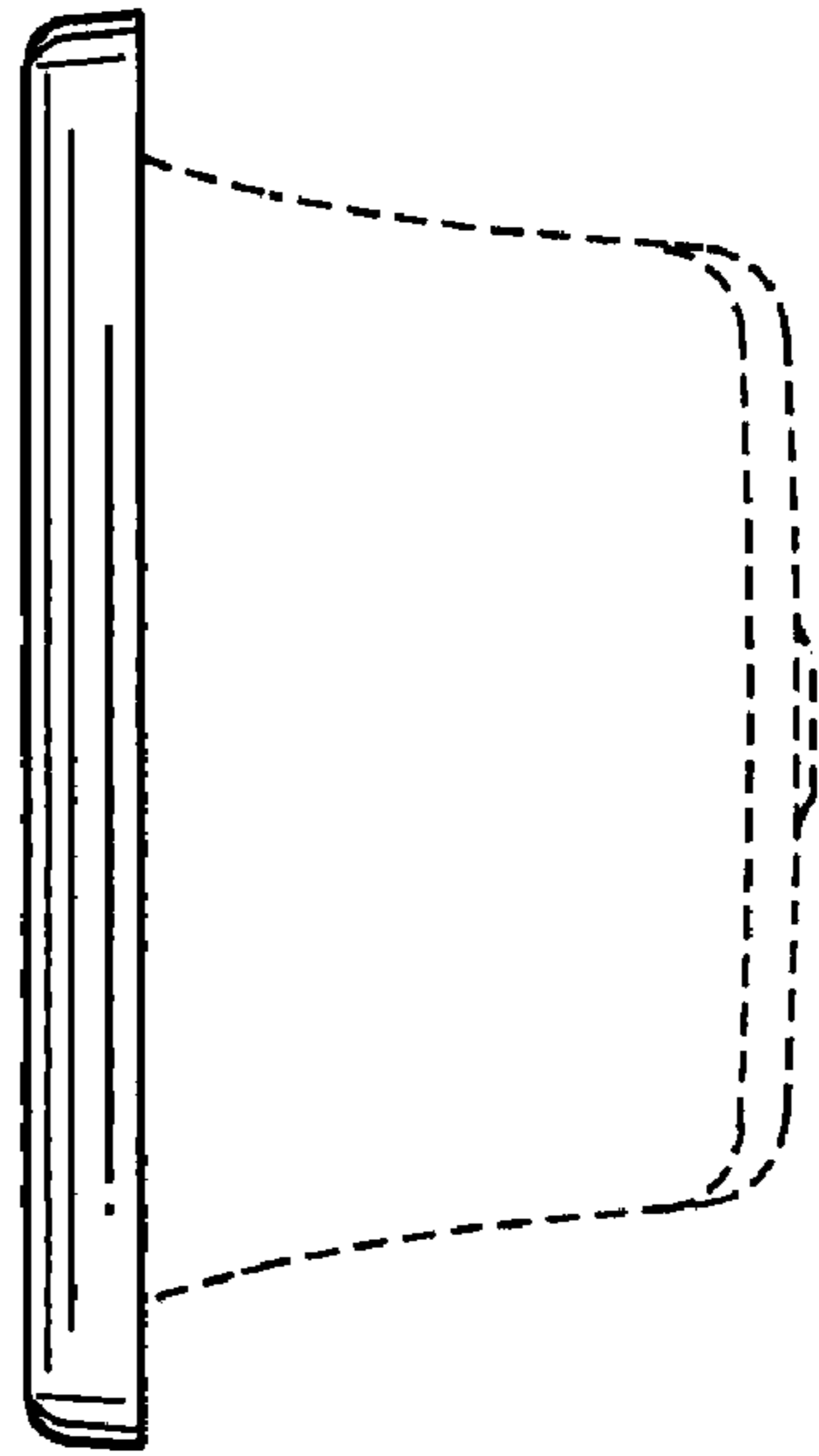


FIG. 4



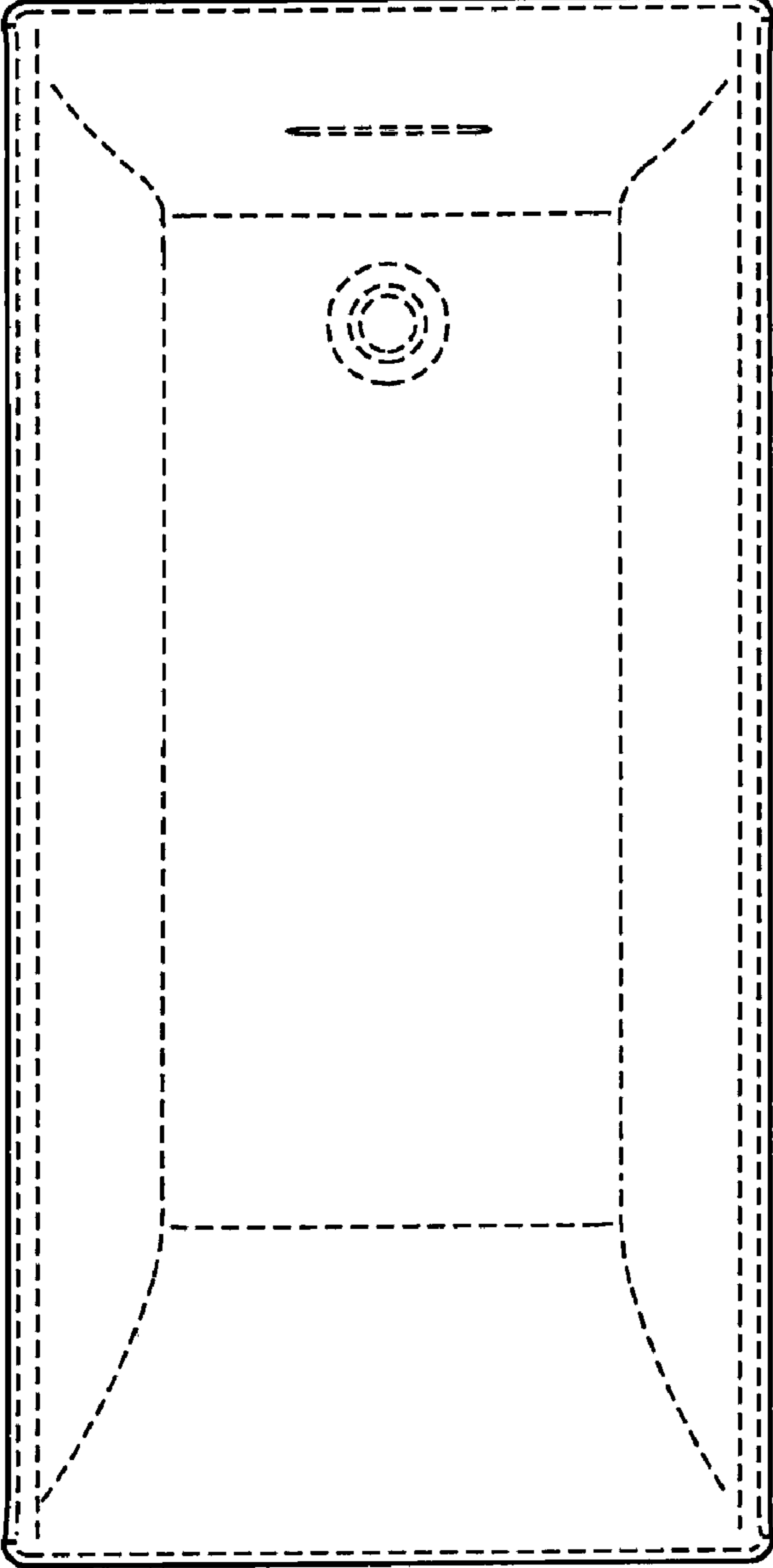


FIG. 6



FIG. 7