



US00D613832S

(12) **United States Design Patent**  
**Bradbeer**

(10) **Patent No.:** **US D613,832 S**  
(45) **Date of Patent:** **\*\* Apr. 13, 2010**

(54) **DRAINAGE CHANNEL**

2003/0221373 A1\* 12/2003 Kim ..... 52/14

(75) Inventor: **Simon Francis Godwin Bradbeer**, Kent (GB)

\* cited by examiner

(73) Assignee: **Alumasc Limited**, Kettering, Northamptonshire (GB)

*Primary Examiner*—T. Chase Nelson  
*Assistant Examiner*—Eric L Goodman  
(74) *Attorney, Agent, or Firm*—Dickstein Shapiro LLP

(\*\*) Term: **14 Years**

(57) **CLAIM**

(21) Appl. No.: **29/334,689**

The ornamental design for the drainage channel, as shown and described.

(22) Filed: **Mar. 31, 2009**

**DESCRIPTION**

(51) **LOC (9) Cl.** ..... **23-01**

(52) **U.S. Cl.** ..... **D23/267**

(58) **Field of Classification Search** ..... D23/259–269;  
52/11–13, 16; 248/48.1; 404/4–5, 2; 405/118;  
D25/119

FIG. 1 is a top front isometric view of a drainage channel showing my new design;

FIG. 2 is a bottom rear isometric view thereof;

FIG. 3 is a front elevational view thereof; and,

FIG. 4 is a right side elevational view thereof.

See application file for complete search history.

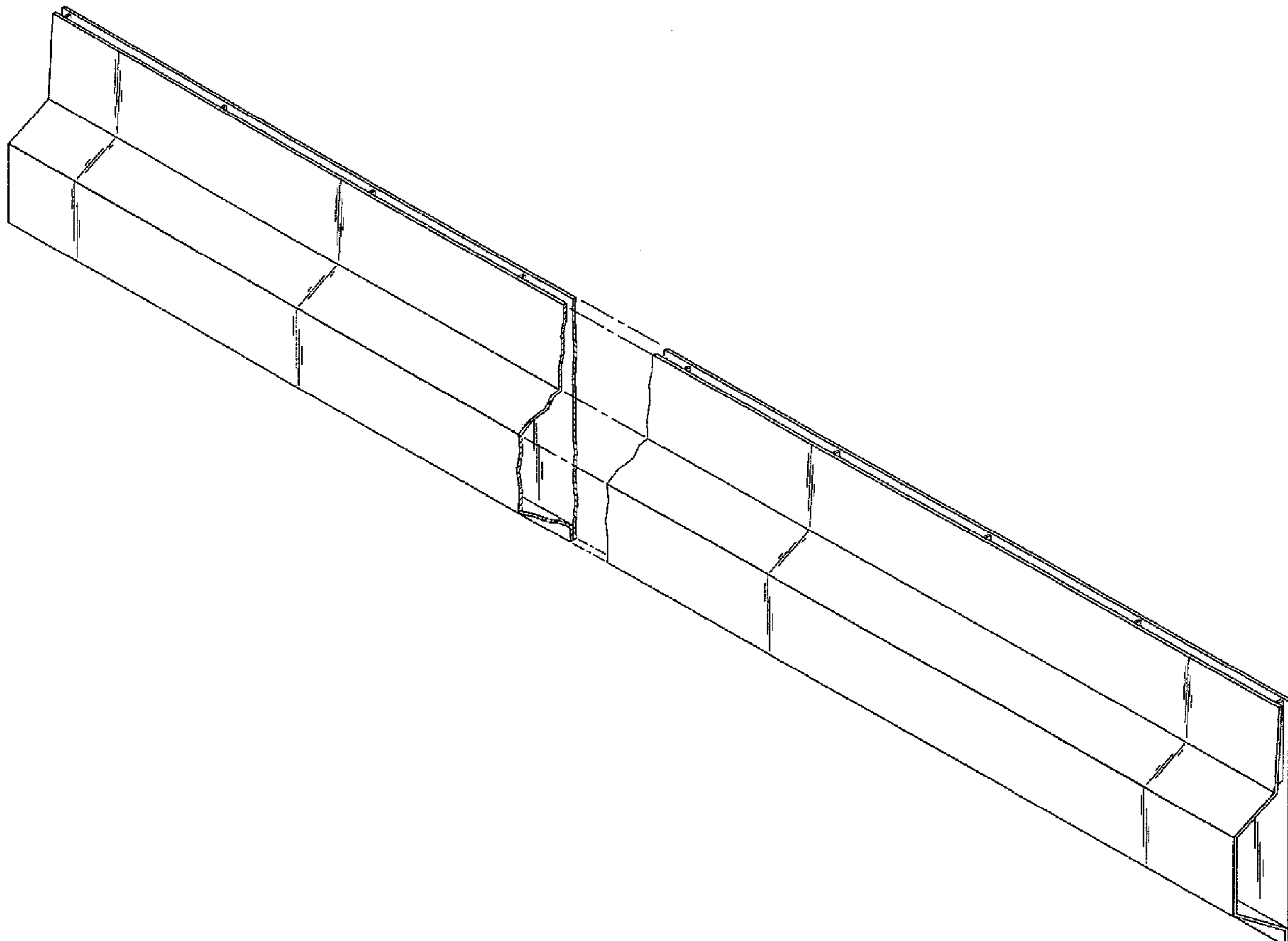
The left side elevational view of the drainage channel is a mirror image of the right side elevational view. The drainage channel is shown broken away with broken line interruptions in FIGS. 1 to 3 in order to indicate that a specific length of drainage channel forms no part of the claimed design.

(56) **References Cited**

**U.S. PATENT DOCUMENTS**

D51,509 S \* 11/1917 Plym ..... D25/119  
2,994,254 A \* 8/1961 Shumaker ..... 404/2  
D377,389 S \* 1/1997 Phillips et al. .... D23/261  
D463,581 S \* 9/2002 Mann ..... D25/164

**1 Claim, 4 Drawing Sheets**



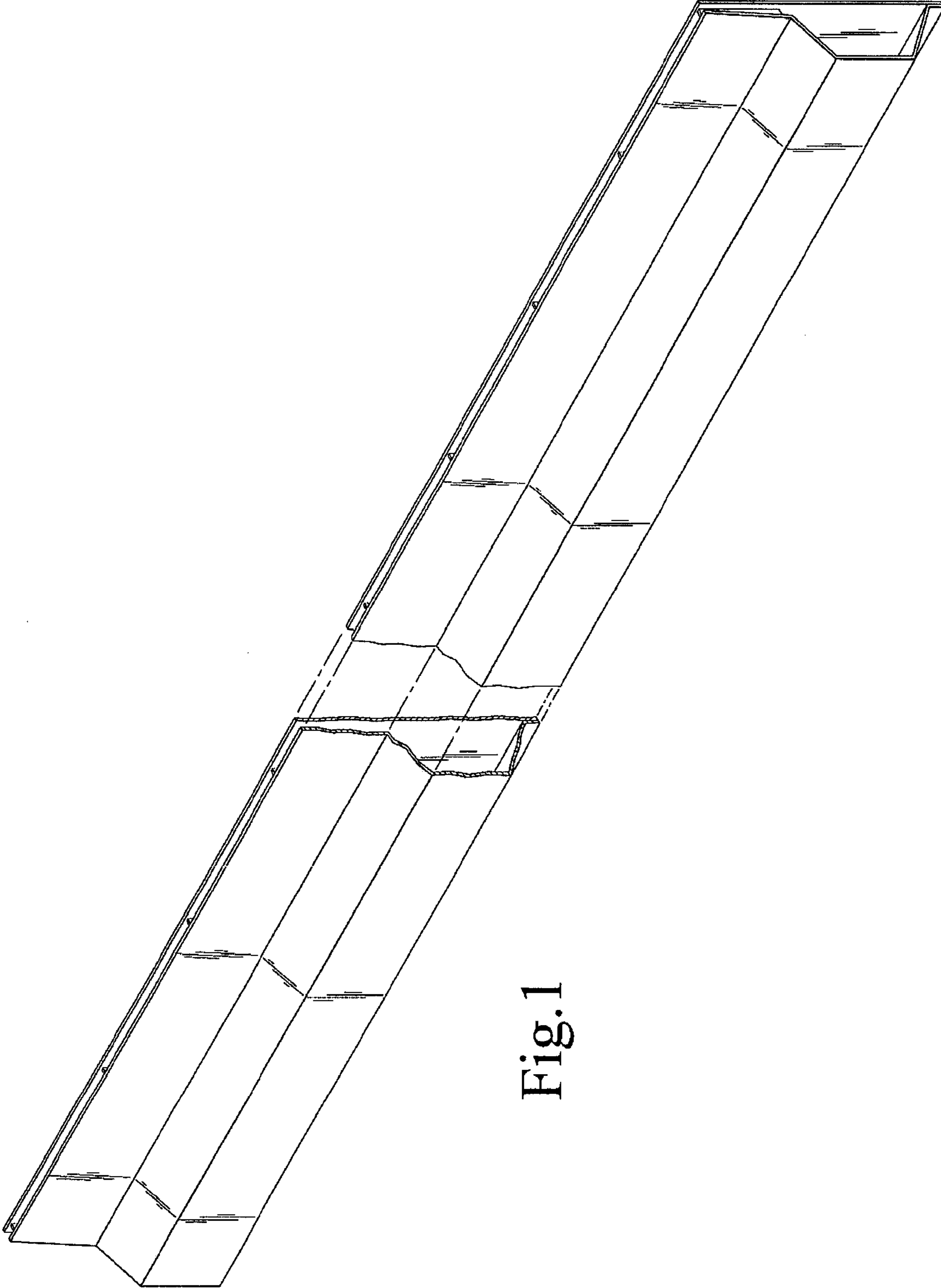


Fig.1

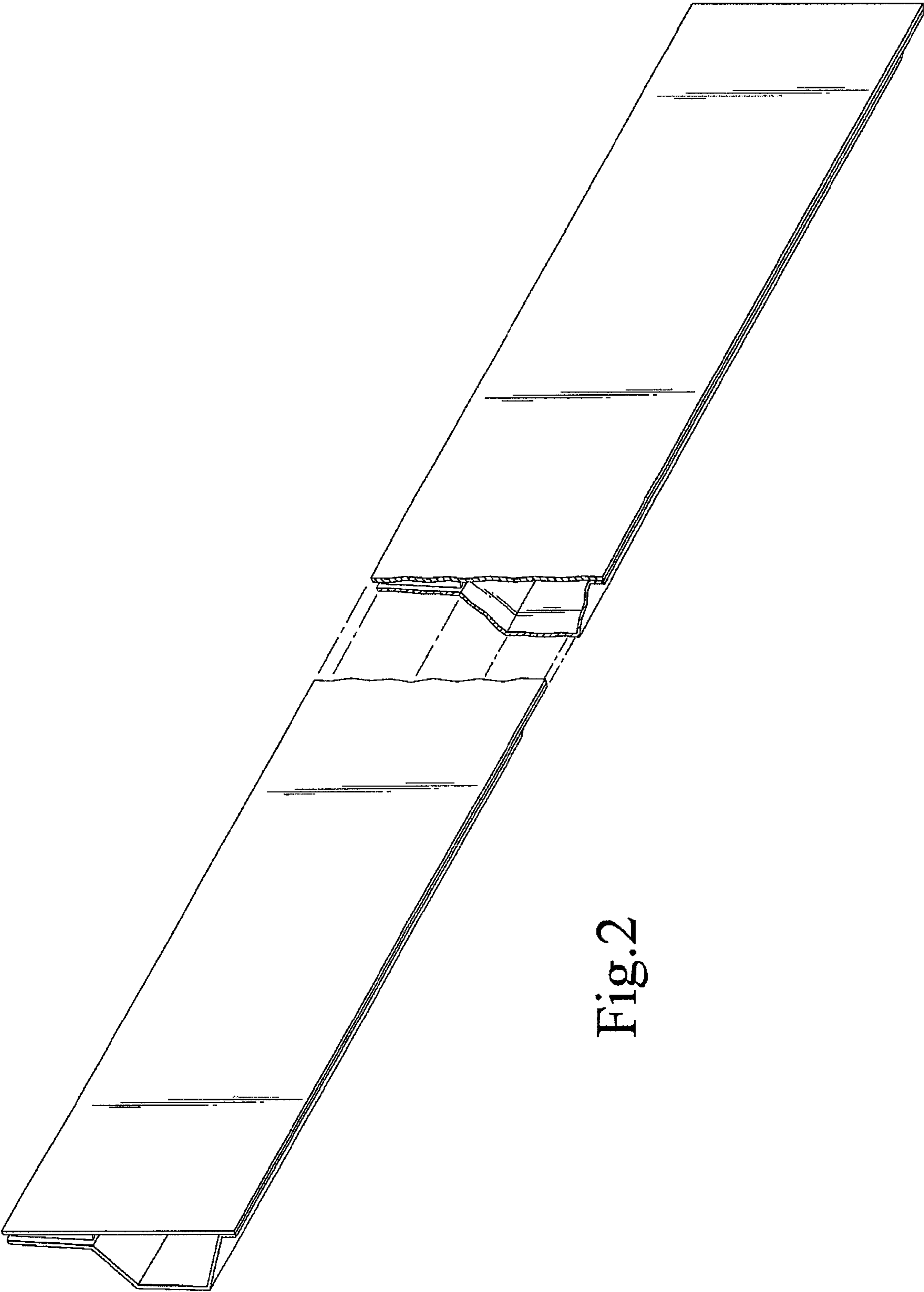


Fig. 2

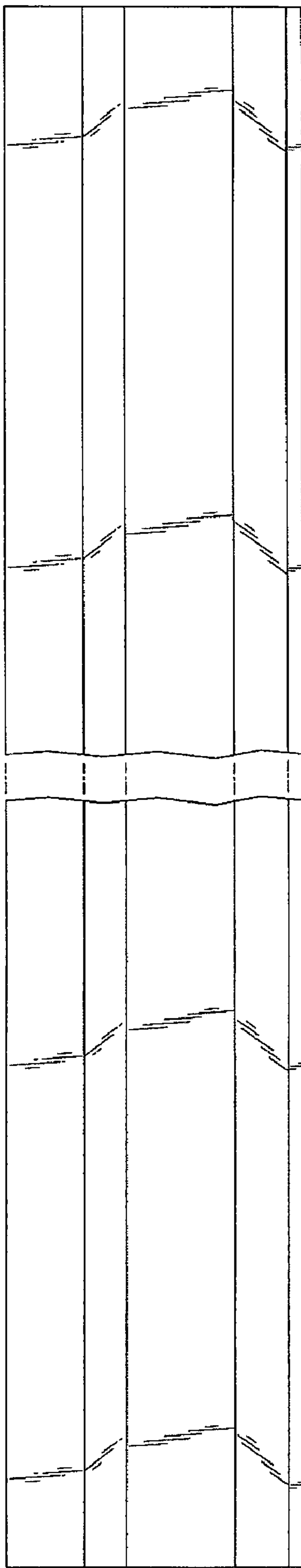


Fig. 3

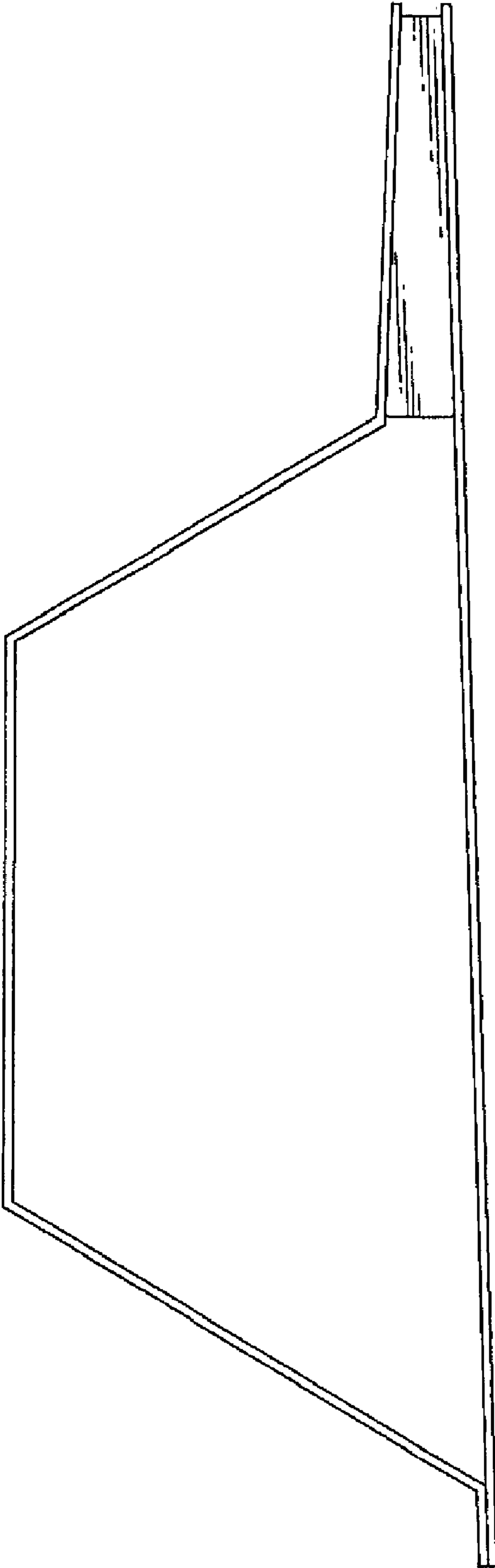


Fig.4