



US00D613831S

(12) **United States Design Patent**  
**Bradbeer**

(10) **Patent No.:** **US D613,831 S**  
(45) **Date of Patent:** **\*\* Apr. 13, 2010**

(54) **DRAINAGE CHANNEL**

(74) *Attorney, Agent, or Firm*—Dickstein Shapiro LLP

(75) **Inventor:** **Simon Francis Godwin Bradbeer**, Kent (GB)

(57) **CLAIM**

The ornamental design for the drainage channel, as shown and described.

(73) **Assignee:** **Alumasc Limited**, Kettering, Northamptonshire (GB)

(\*\*) **Term:** **14 Years**

**DESCRIPTION**

(21) **Appl. No.:** **29/334,669**

FIG. 1 is a top front isometric view of a drainage channel showing my new design;

(22) **Filed:** **Mar. 31, 2009**

FIG. 2 is an enlarged view of an end portion of the channel depicted in FIG. 1;

(51) **LOC (9) Cl.** ..... **23-01**

(52) **U.S. Cl.** ..... **D23/267**

(58) **Field of Classification Search** ..... D23/259–269;  
52/11–13, 16; 248/48.1; 404/4–5, 2; 405/118;  
D25/119

FIG. 3 is a bottom rear isometric view of a drainage channel showing my new design;

FIG. 4 is an enlarged view of an end portion of the channel depicted in FIG. 3;

See application file for complete search history.

FIG. 5 is a front elevational view of a drainage channel showing my new design;

(56) **References Cited**

**U.S. PATENT DOCUMENTS**

D51,509 S *	11/1917	Plym	.....	D25/119
2,994,254 A *	8/1961	Shumaker	.....	404/2
D377,389 S *	1/1997	Phillips et al.	.....	D23/261
D463,581 S *	9/2002	Mann	.....	D25/164
2003/0221373 A1 *	12/2003	Kim	.....	52/14

FIG. 6 is a right side elevational view thereof; and,

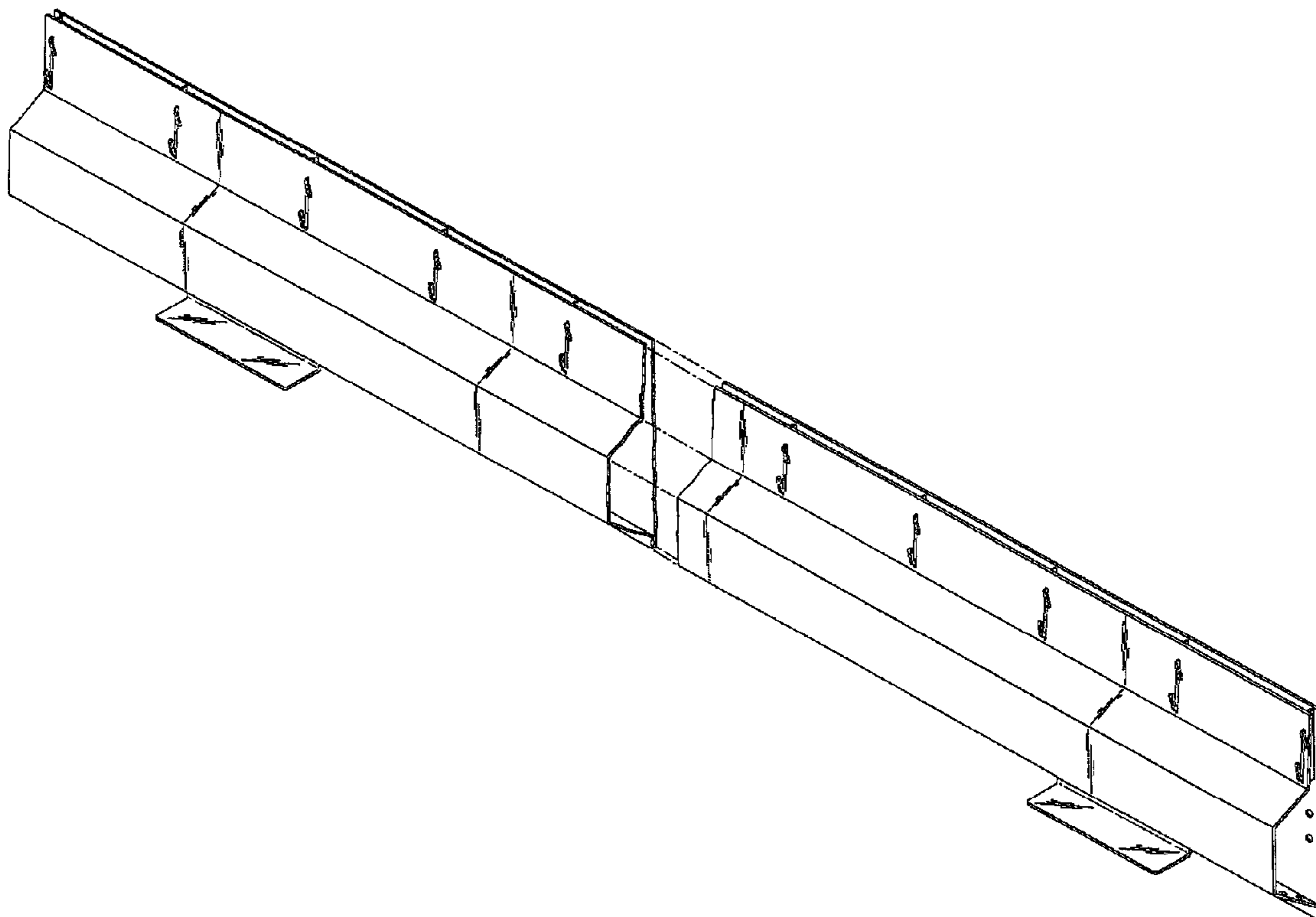
FIG. 7 is an enlarged view of an end portion of the channel depicted in FIG. 5.

\* cited by examiner

The left side elevational view of the drainage channel is a mirror image of the right side elevational view. The drainage channel is shown broken away with broken line interruptions in FIGS. 1, 3, and 5 in order to indicate that a specific length of drainage channel forms no part of the claimed design.

*Primary Examiner*—T. Chase Nelson  
*Assistant Examiner*—Eric L Goodman

**1 Claim, 3 Drawing Sheets**



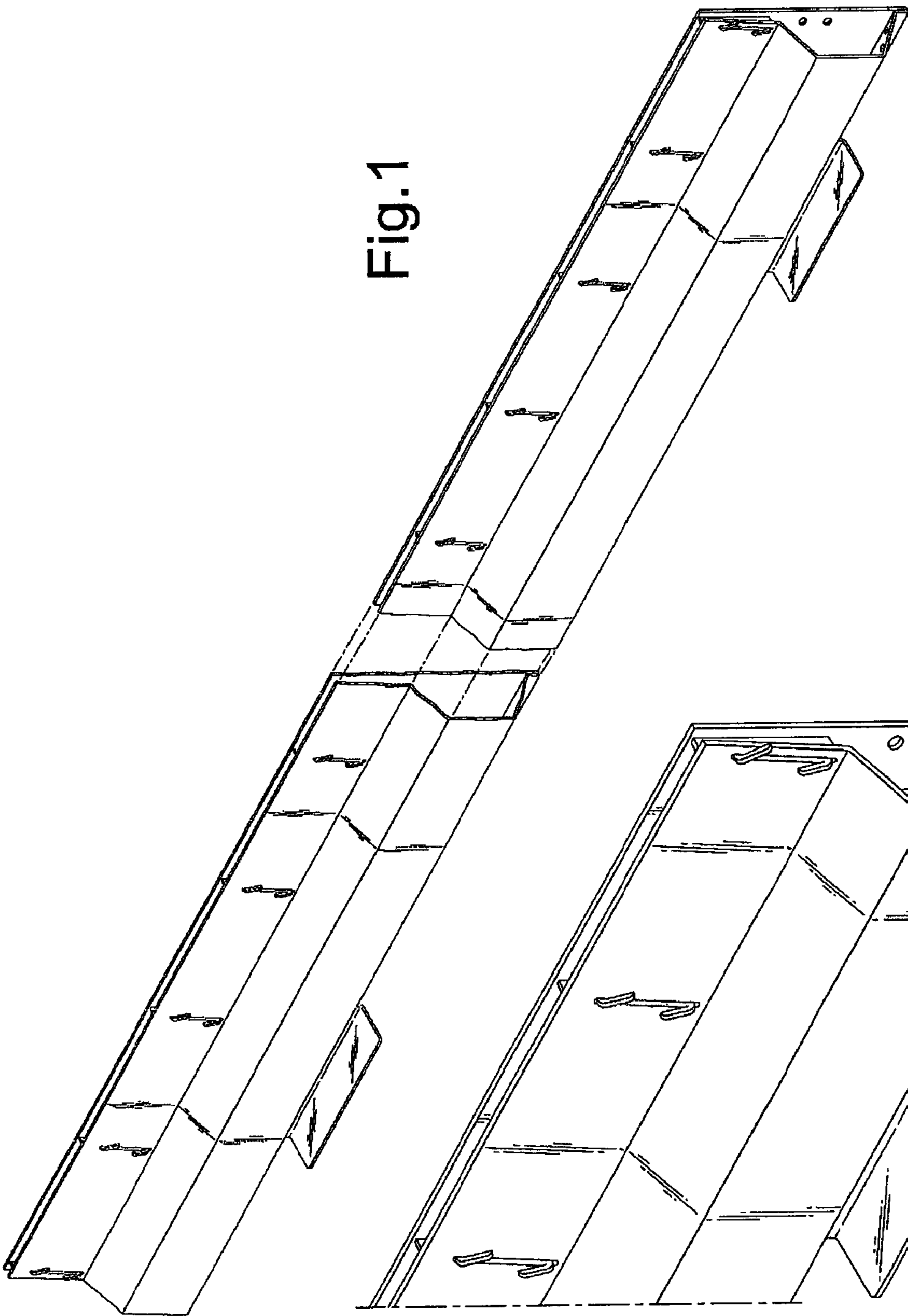


Fig. 1

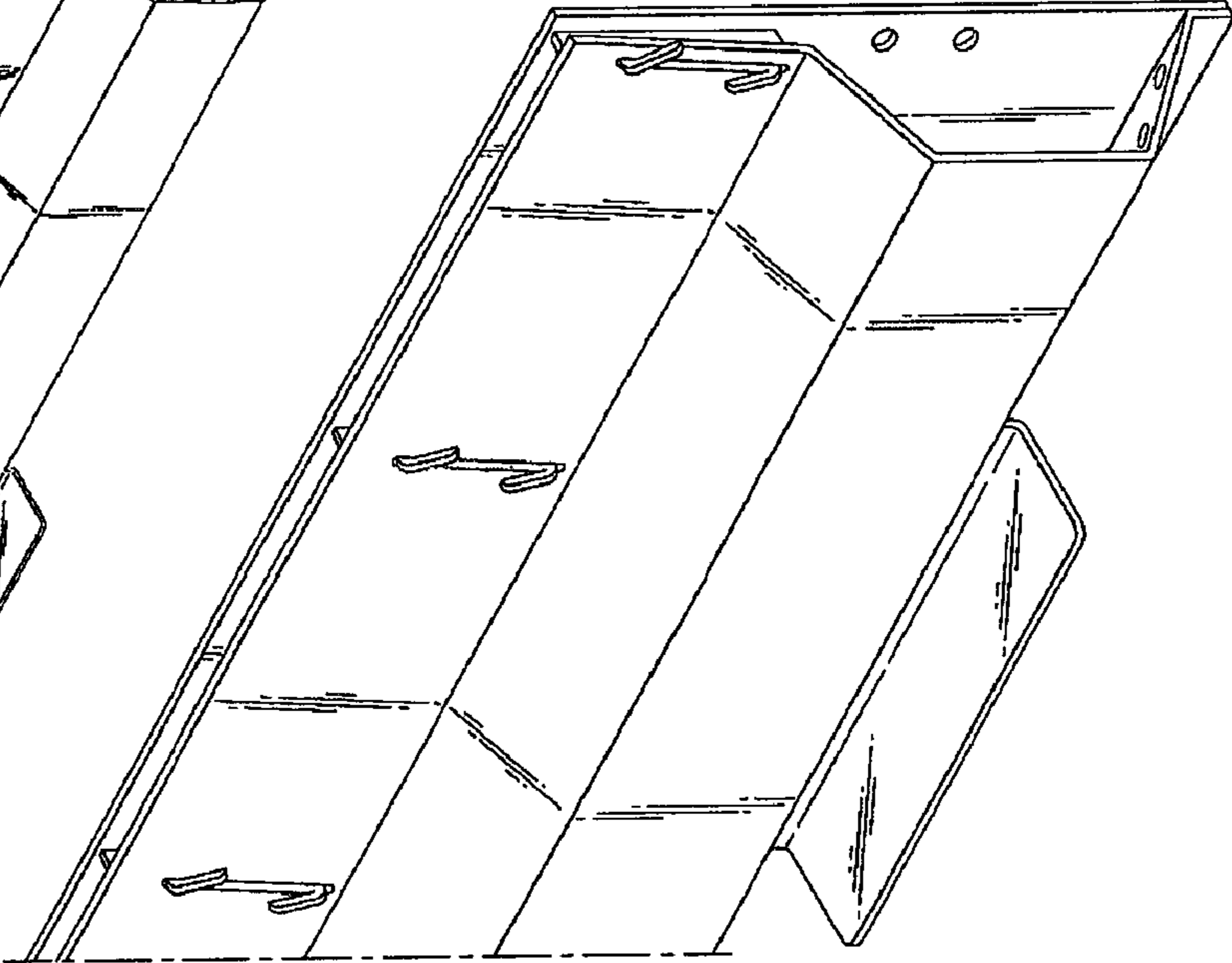


Fig. 2

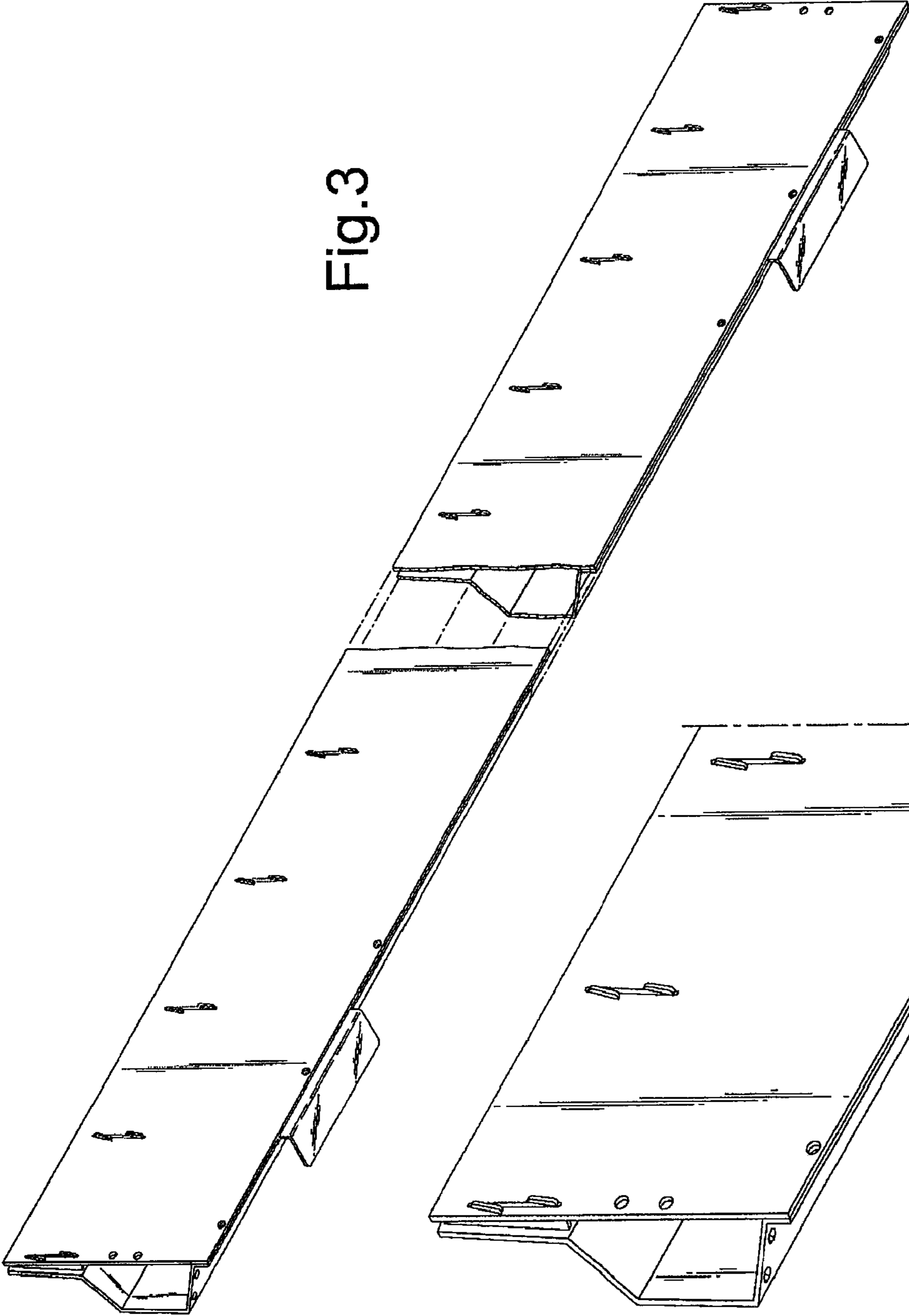


Fig.3

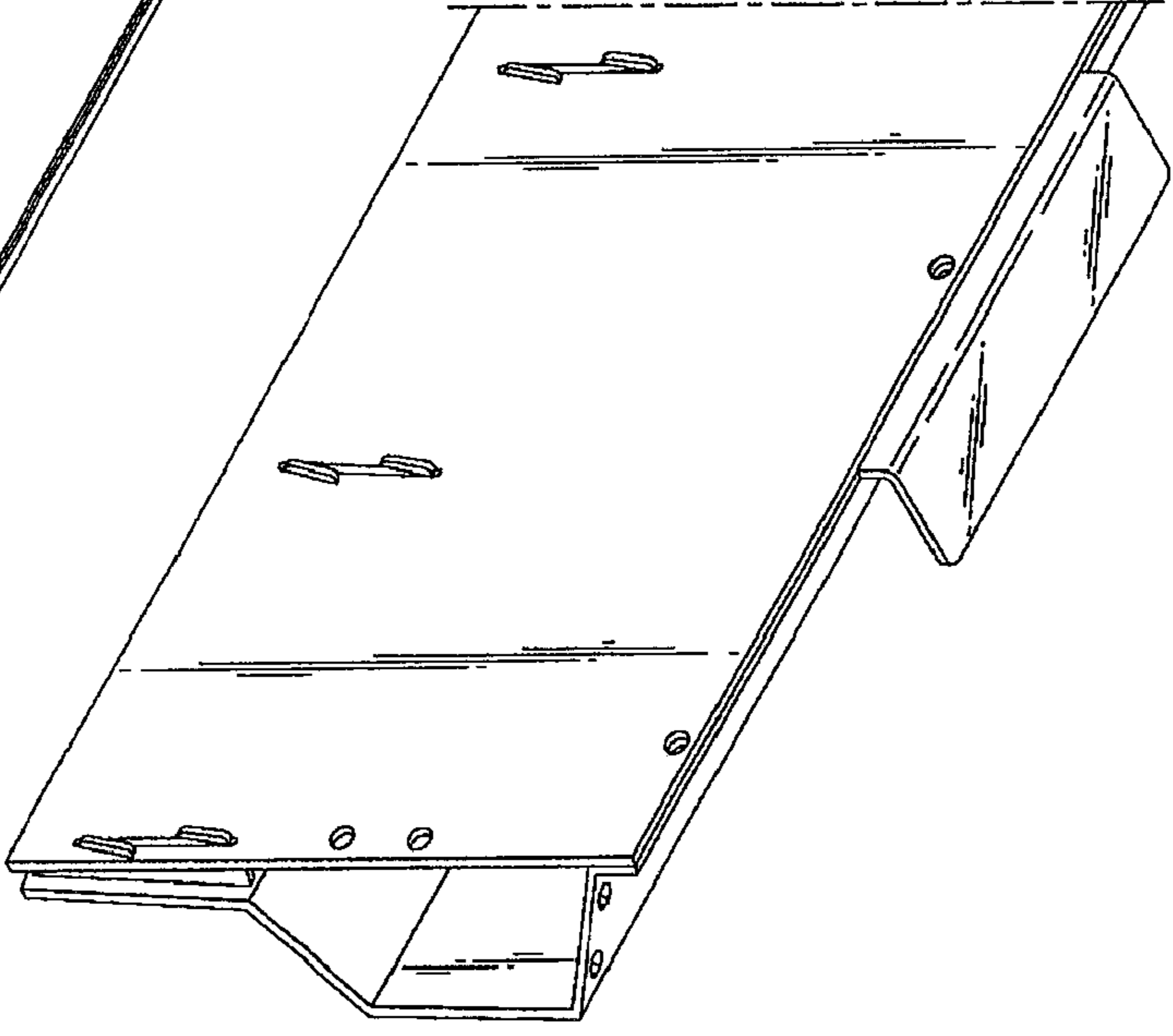


Fig.4

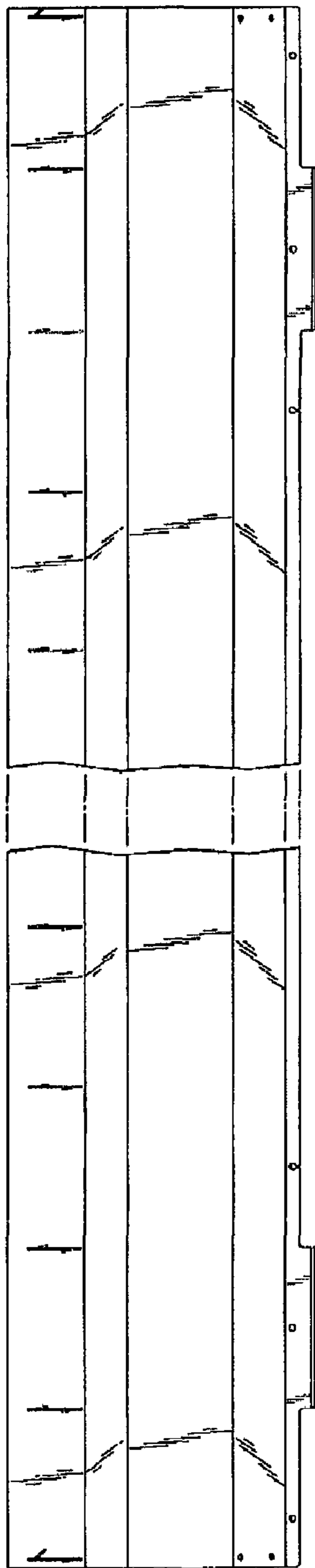


Fig. 5

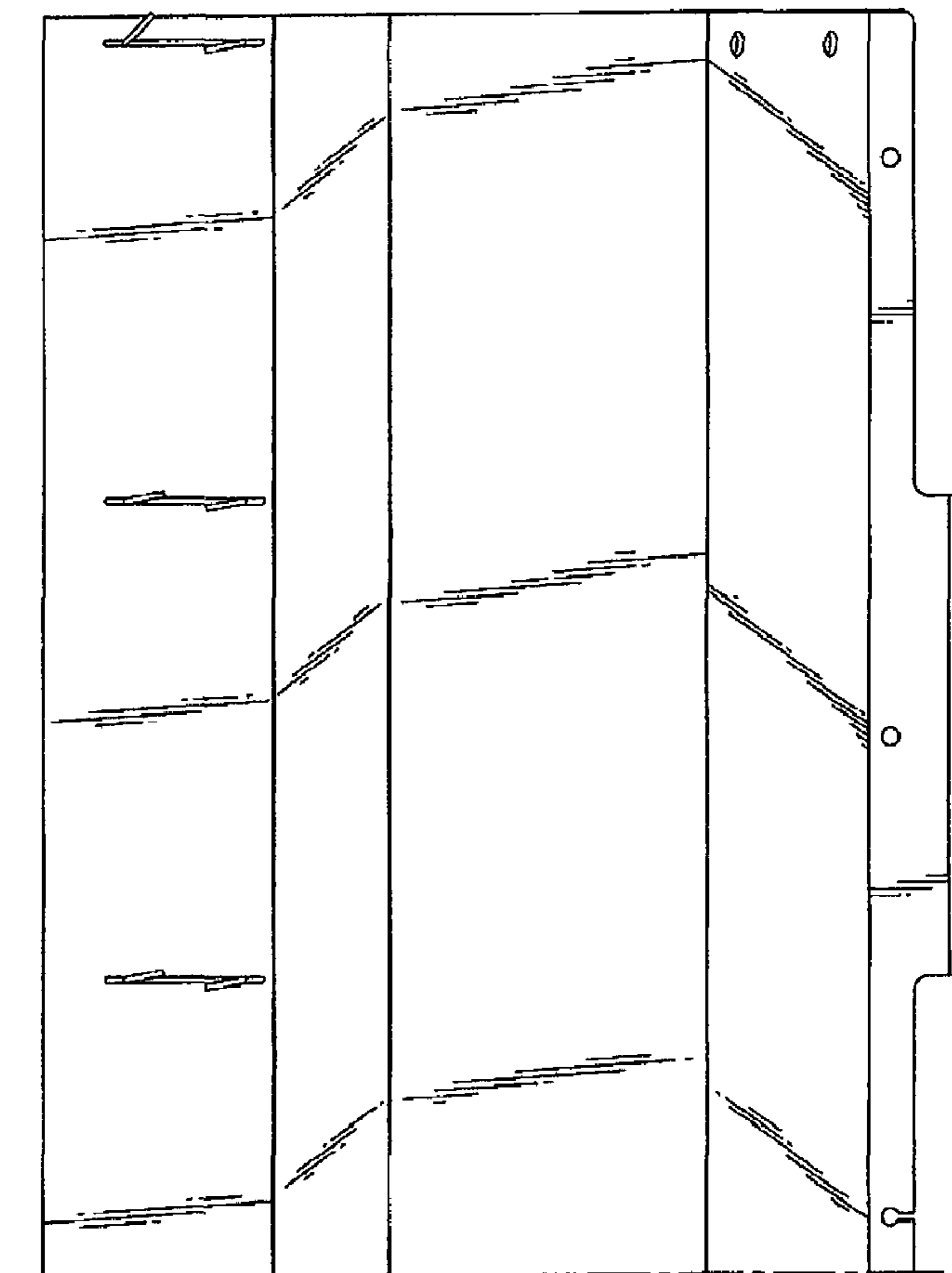


Fig. 7

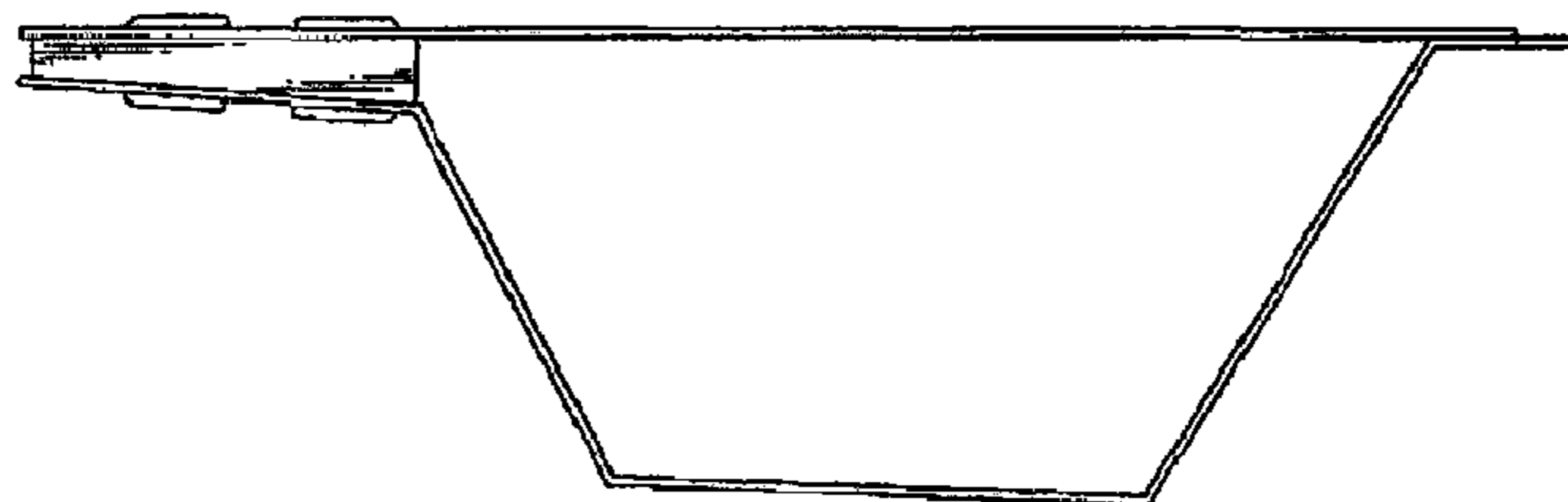


Fig. 6