



US00D613830S

(12) **United States Design Patent**  
**Mannoia**

(10) **Patent No.:** **US D613,830 S**  
(45) **Date of Patent:** **\*\* Apr. 13, 2010**

(54) **HOSE, ACTUATOR AND CAP ASSEMBLY**

**DESCRIPTION**

(76) Inventor: **Richard Mannoia**, 110 N. Ocean Ave., Patchogue, NY (US) 11722

(\*\*) Term: **14 Years**

(21) Appl. No.: **29/293,902**

(22) Filed: **Dec. 17, 2007**

(51) **LOC (9) Cl.** ..... **23-01**

(52) **U.S. Cl.** ..... **D23/266**

(58) **Field of Classification Search** ..... D23/259-269,  
D23/285, 303, 337, 356; 138/109, 110, 119,  
138/134, 135, 137-146

See application file for complete search history.

(56) **References Cited**

**U.S. PATENT DOCUMENTS**

D482,432 S *	11/2003	Matsumoto	.....	D23/262
6,701,982 B1 *	3/2004	Ortiz et al.	.....	141/392
D491,664 S *	6/2004	Patzer	.....	D24/158
D497,976 S *	11/2004	Goetz et al.	.....	D23/245
D526,387 S *	8/2006	Bonomi	.....	D23/236

\* cited by examiner

*Primary Examiner*—Daniel D Bui

*Assistant Examiner*—Thomas J Johannes

(74) *Attorney, Agent, or Firm*—Brian Roffe

(57) **CLAIM**

The new, original and ornamental design for a hose, actuator and/or cap assembly, as shown and described.

FIG. 1 is a front, right side perspective view of a hose, actuator and cap assembly, showing my new design;

FIG. 2 is a top plan view thereof;

FIG. 3 is a right side elevational view thereof;

FIG. 4 is a front elevational view thereof;

FIG. 5 is a left side elevational view thereof;

FIG. 6 is a bottom plan view thereof;

FIG. 7 is a front, right side perspective view thereof with the cap removed for clarity of detail;

FIG. 8 is a rear, left side perspective thereof;

FIG. 9 is a top plan view thereof;

FIG. 10 is a front, right side perspective view thereof with the cap and hose removed for clarity of detail;

FIG. 11 is a top plan view thereof;

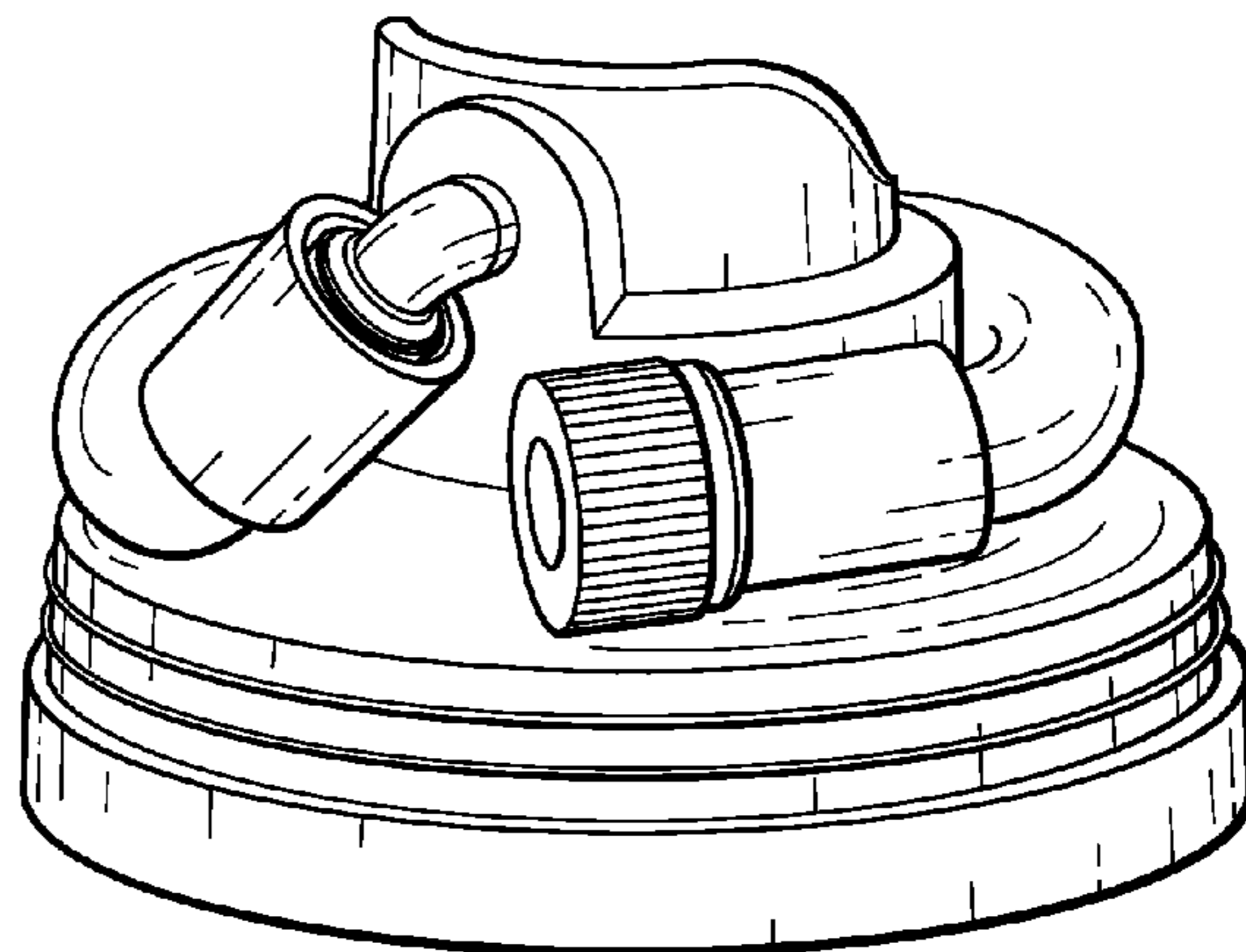
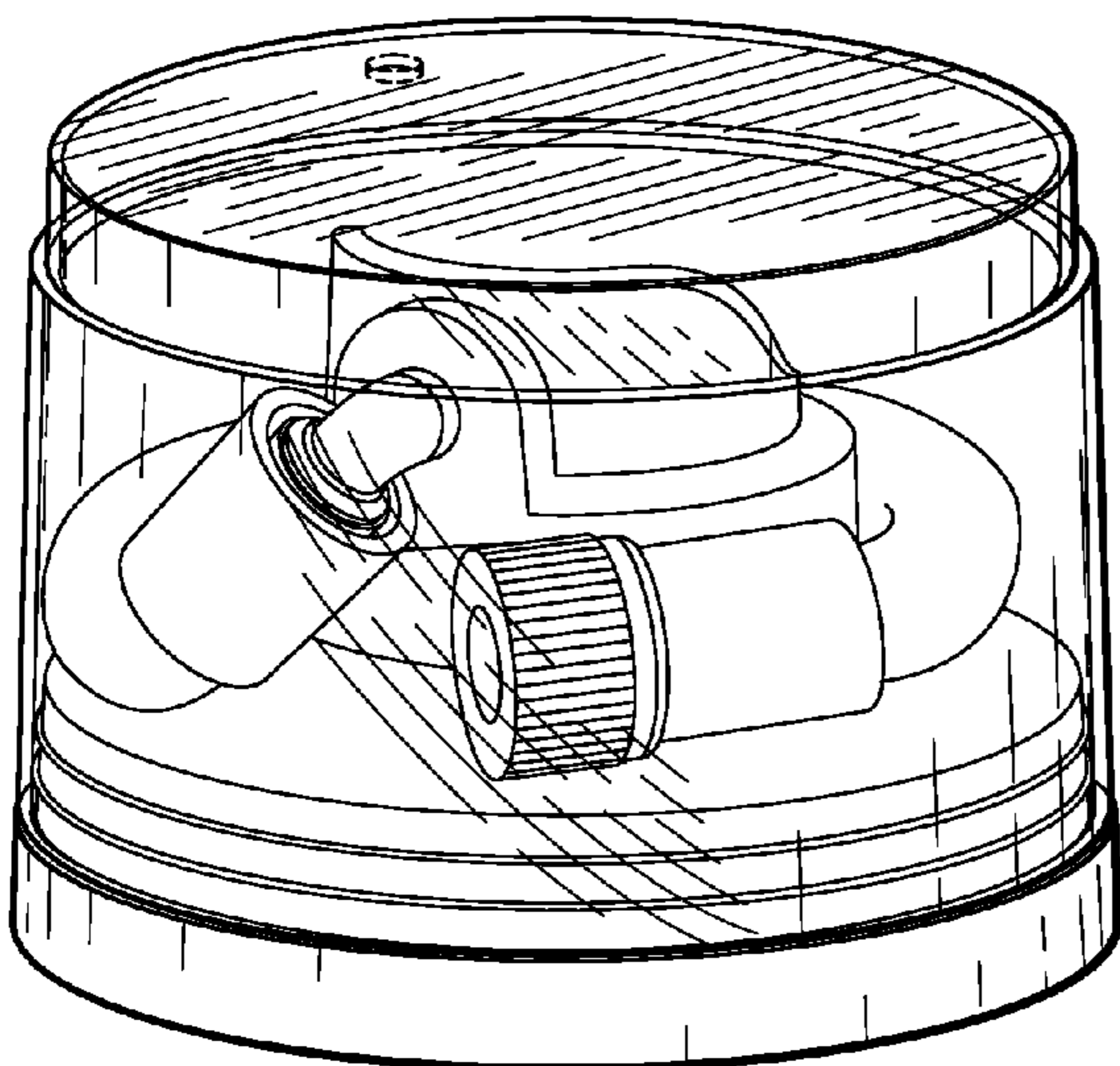
FIG. 12 is a right side elevational view thereof; and,

FIG. 13 is a rear view thereof.

The hose is shown broken away with solid, cut-off lines in the figures to indicate that no specific length is being claimed - it is understood that the interrupted portion of the hose has a uniform shape and appearance through out its length.

The broken line portion of the figure drawings showing the surface tread on the actuator button in FIGS. 2, 3, 5, 8, 9, 11, 12, and 13 is included to show unclaimed subject matter only and forms no part of the claimed design.

**1 Claim, 5 Drawing Sheets**



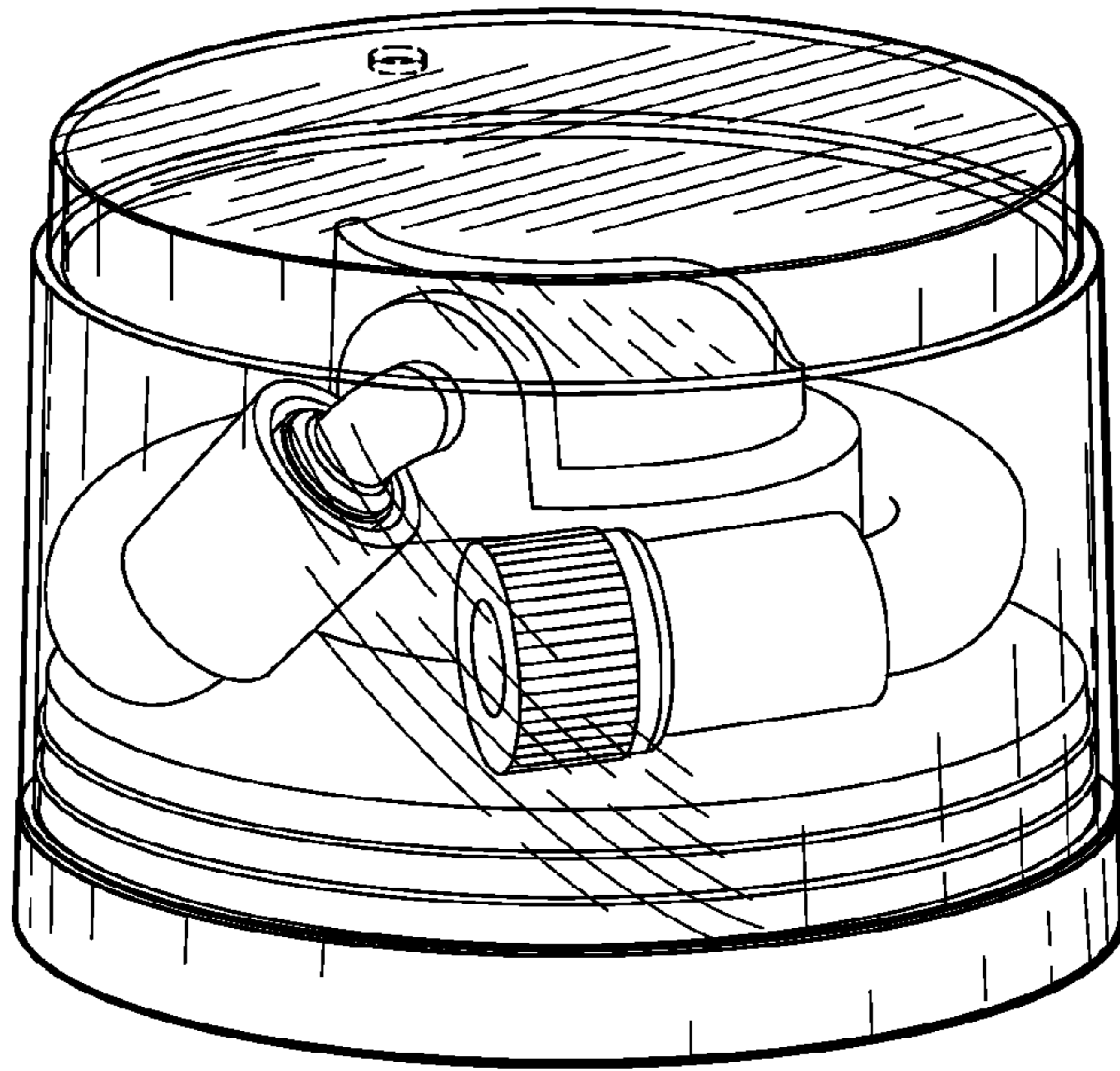


FIG. 1

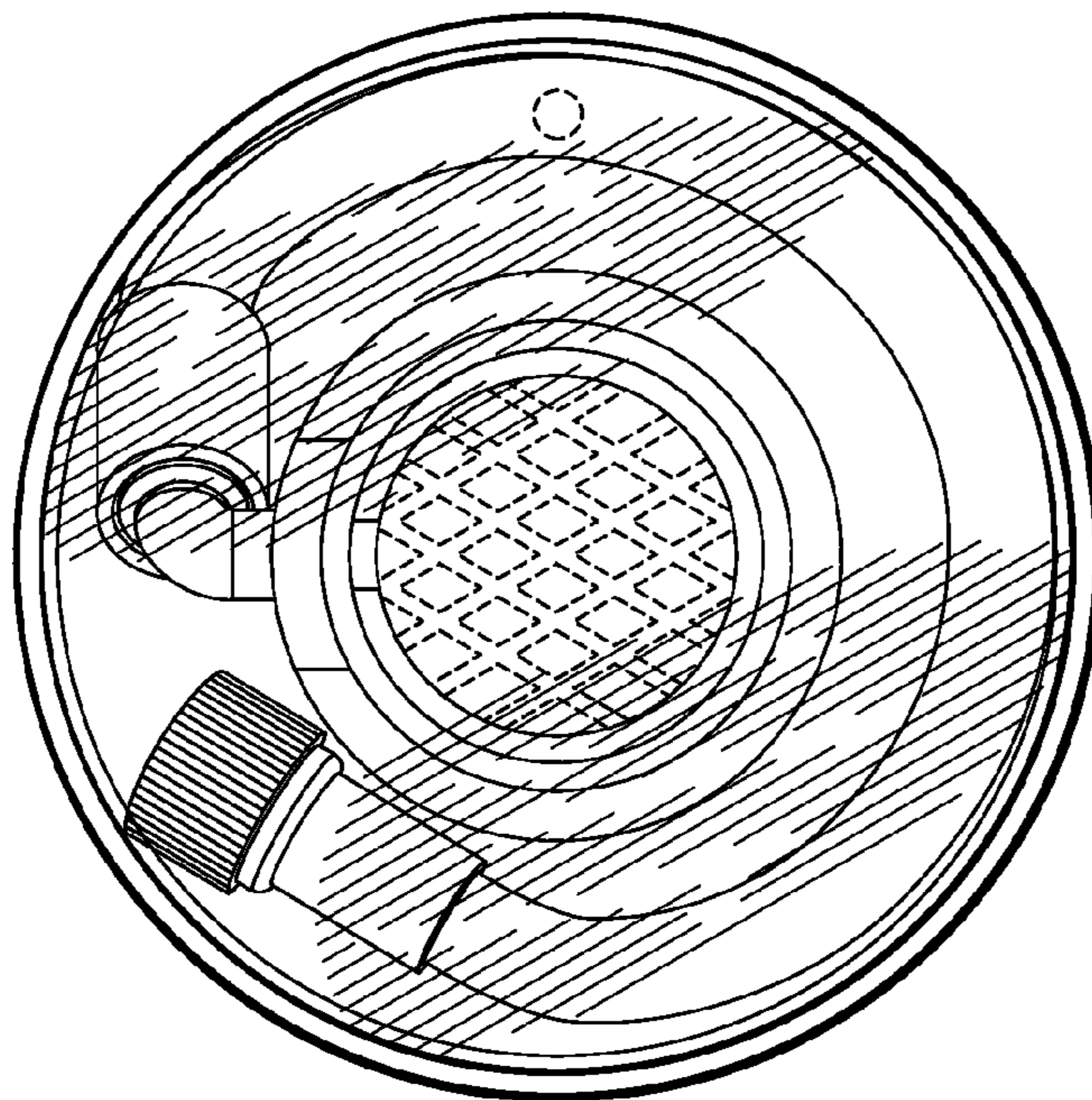


FIG. 2

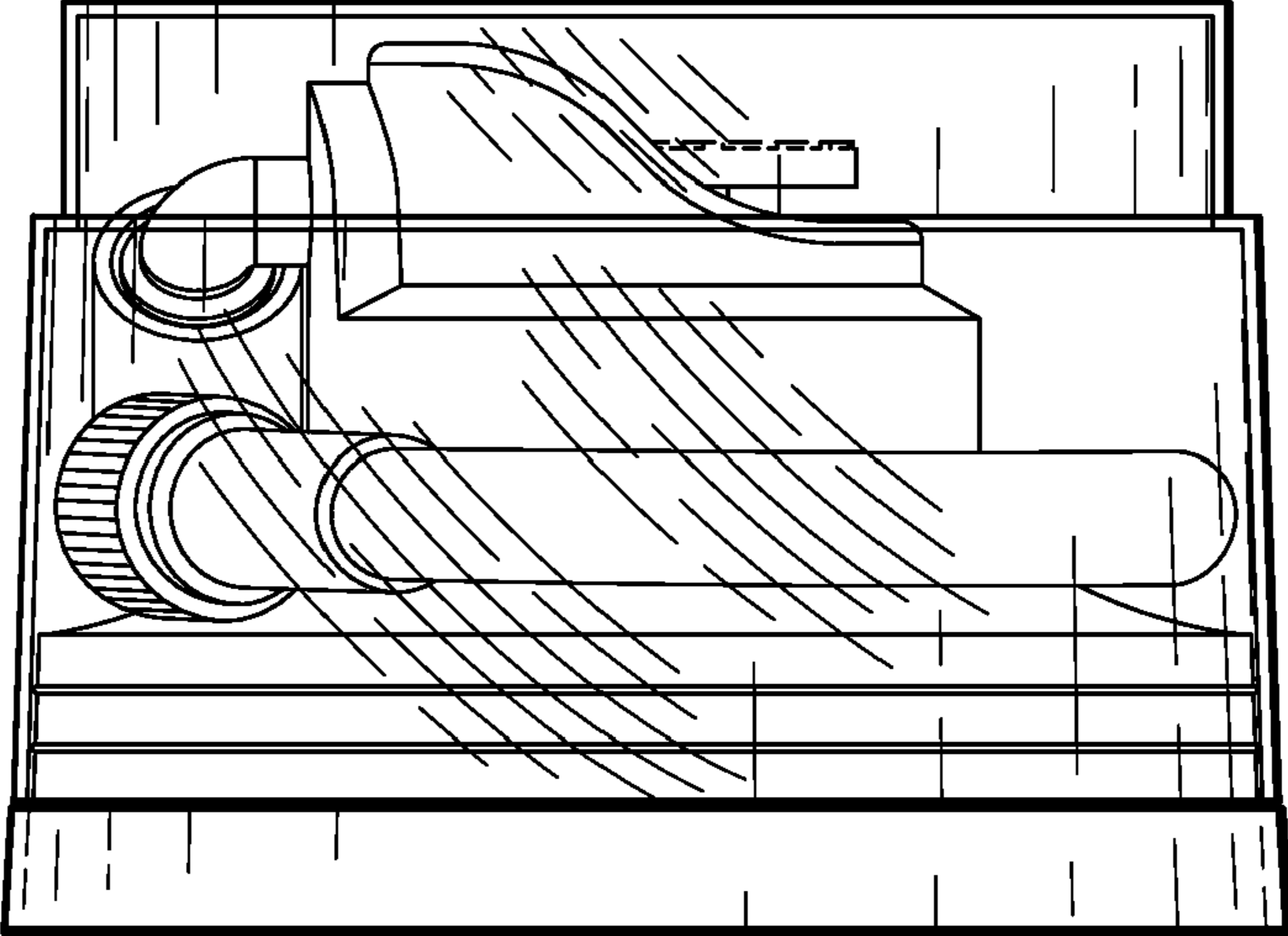


FIG. 3

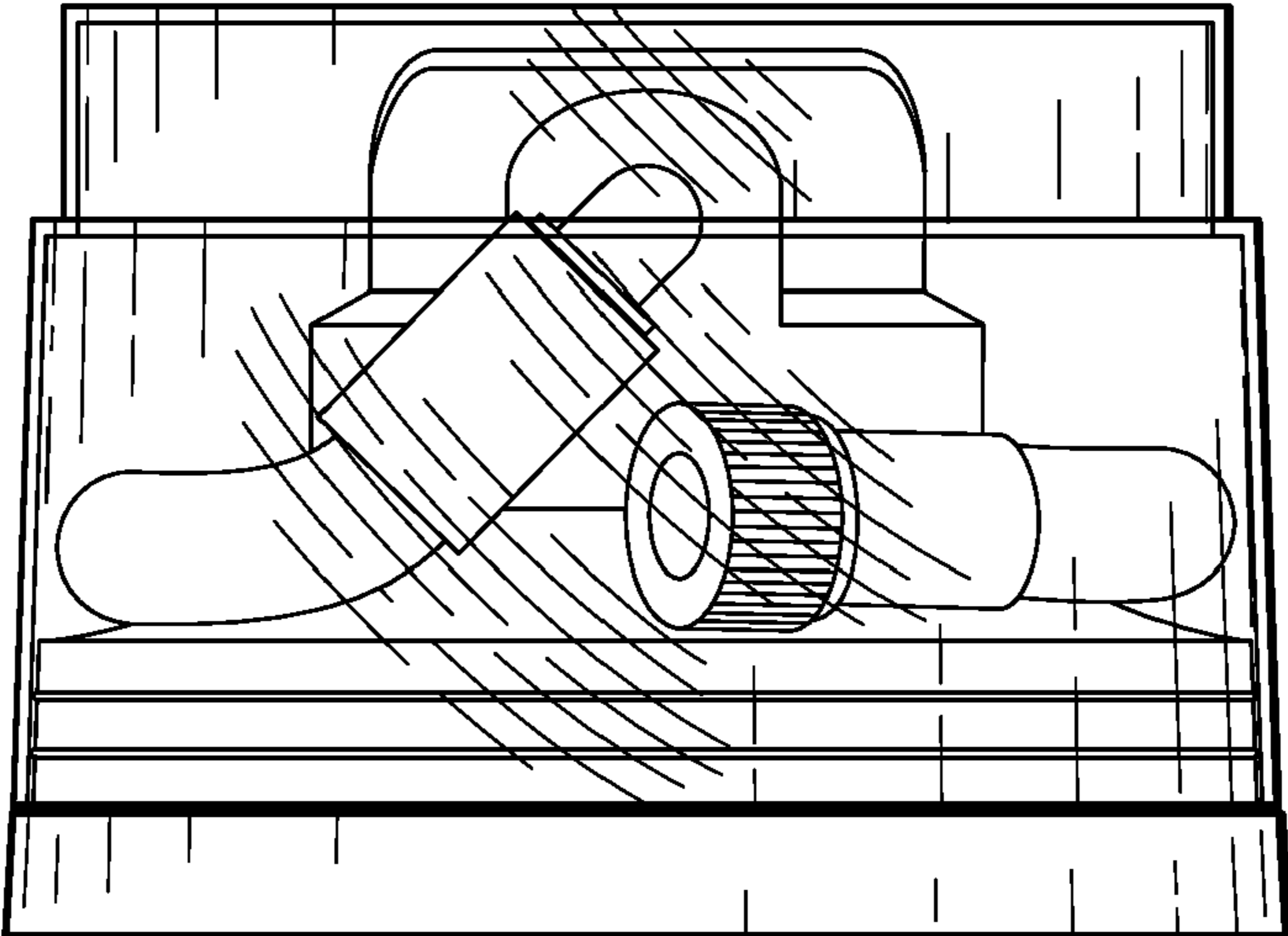
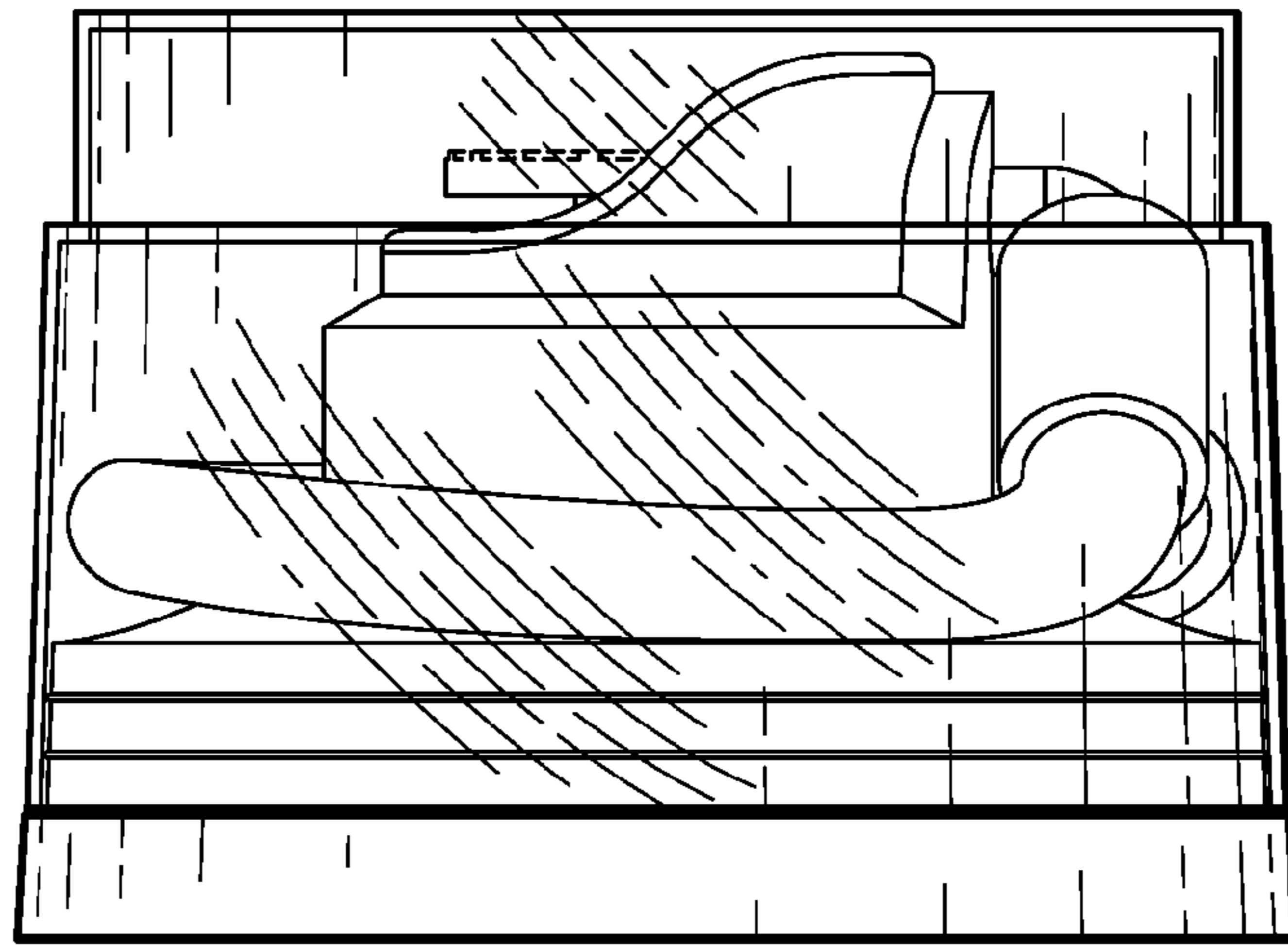
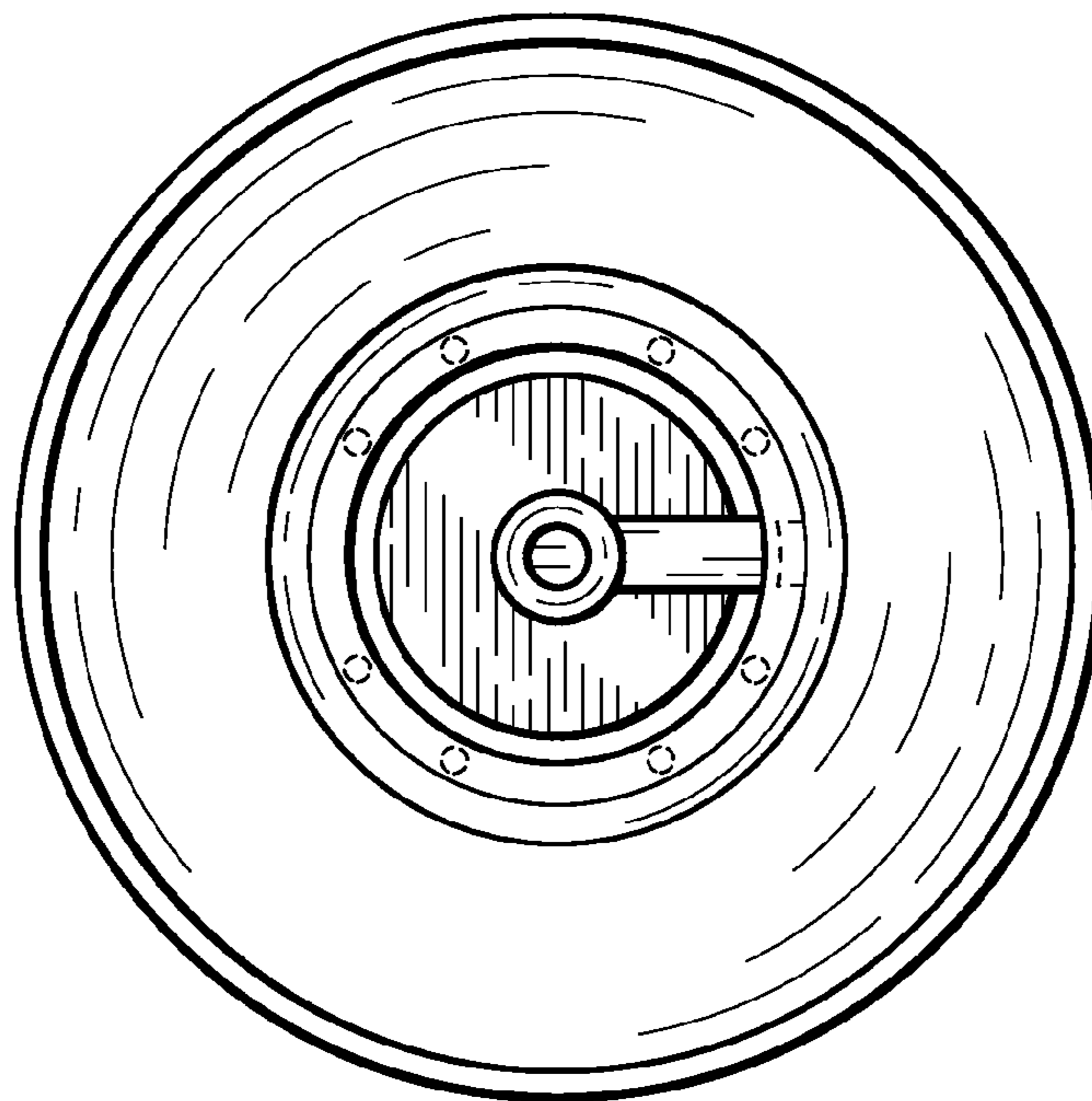


FIG. 4





*FIG. 5*



*FIG. 6*

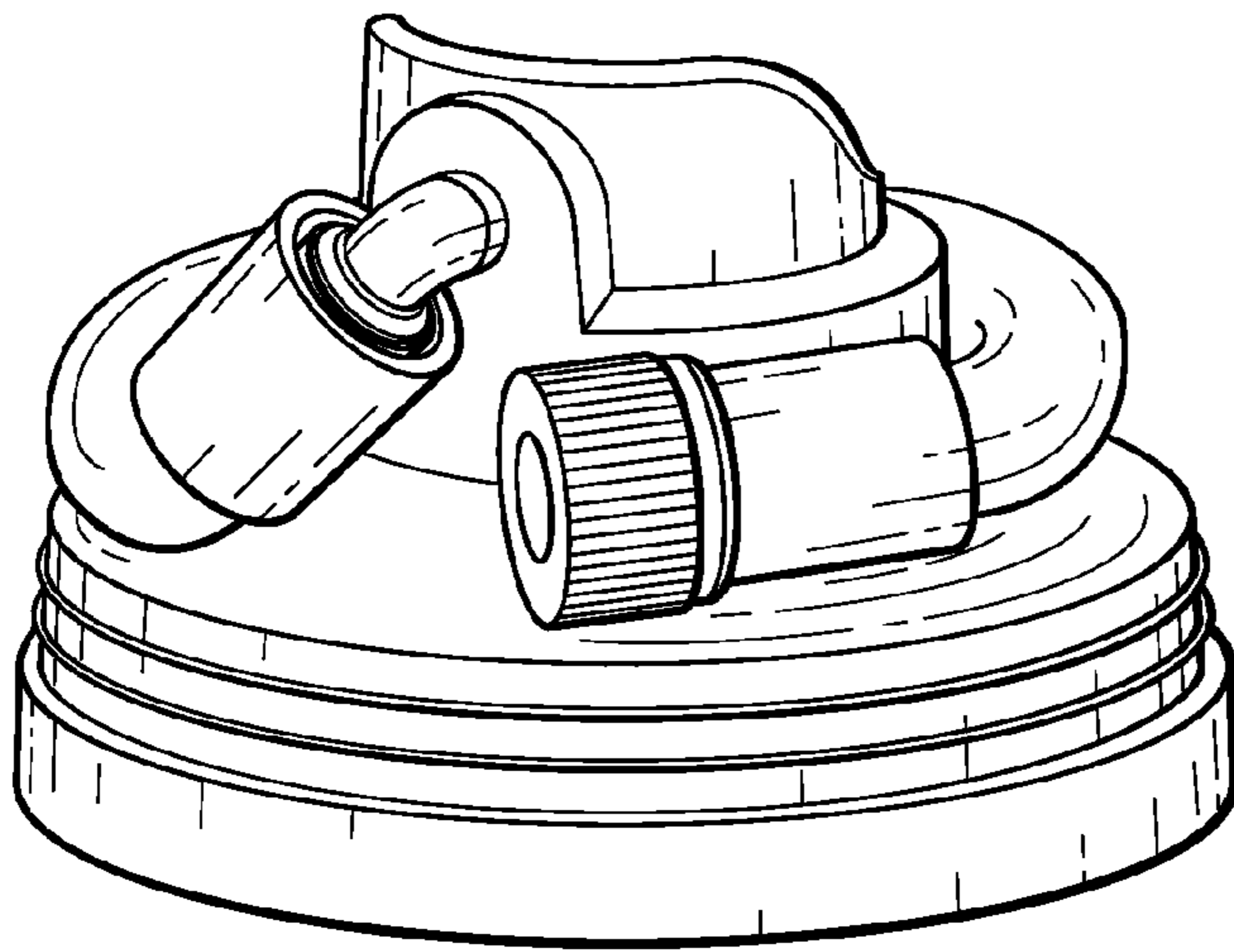


FIG. 7

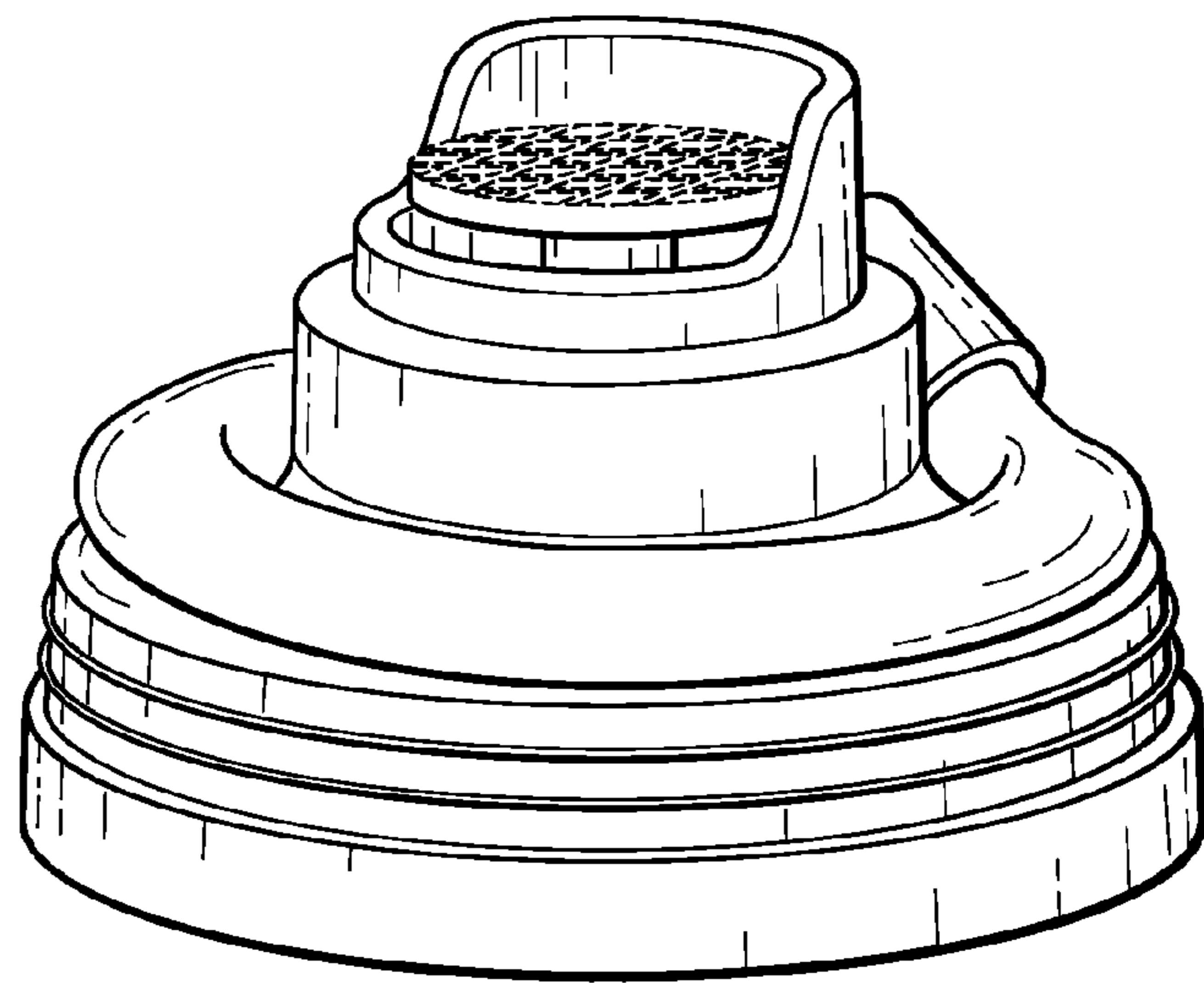


FIG. 8

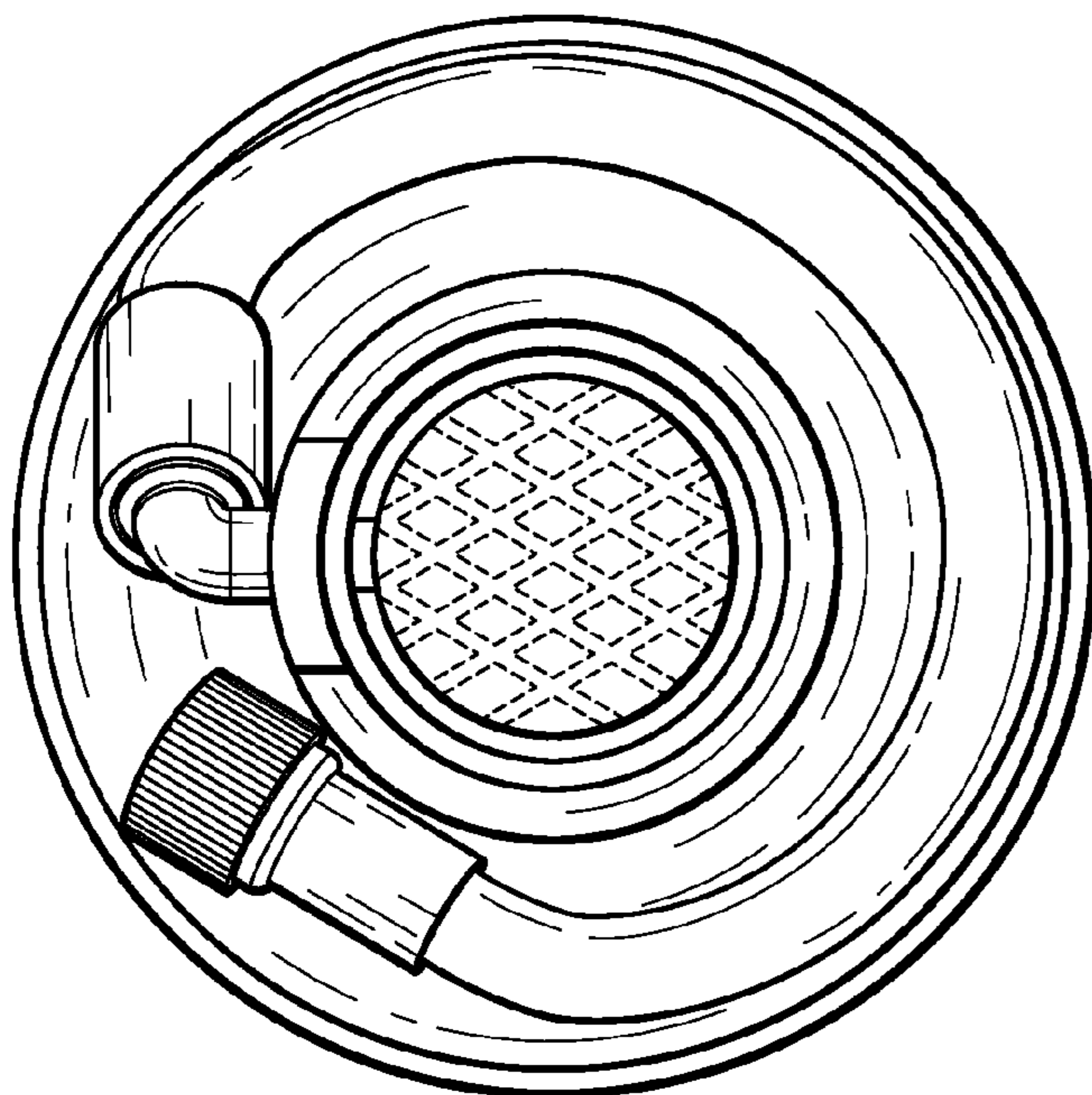


FIG. 9

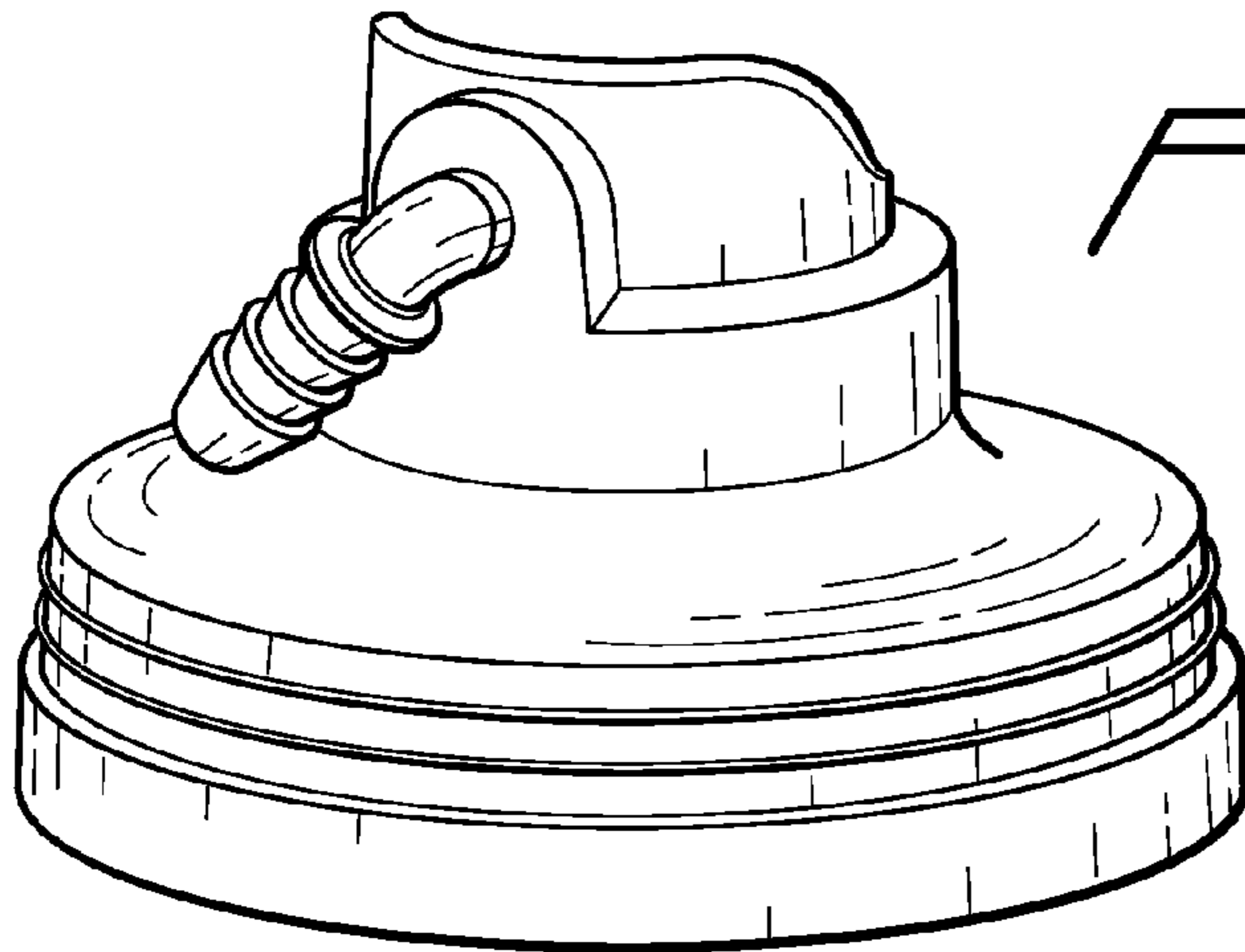


FIG. 10

FIG. 11

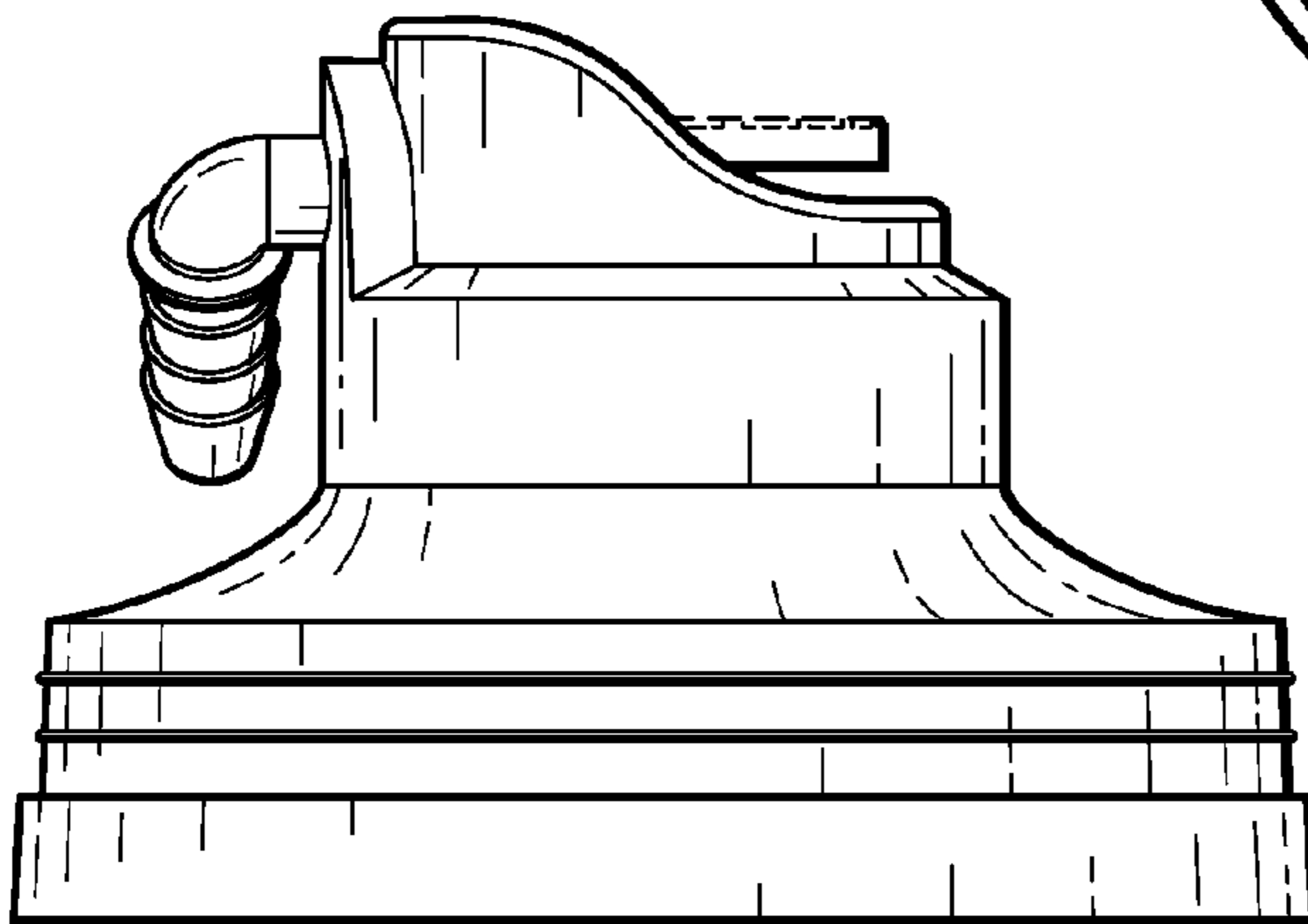
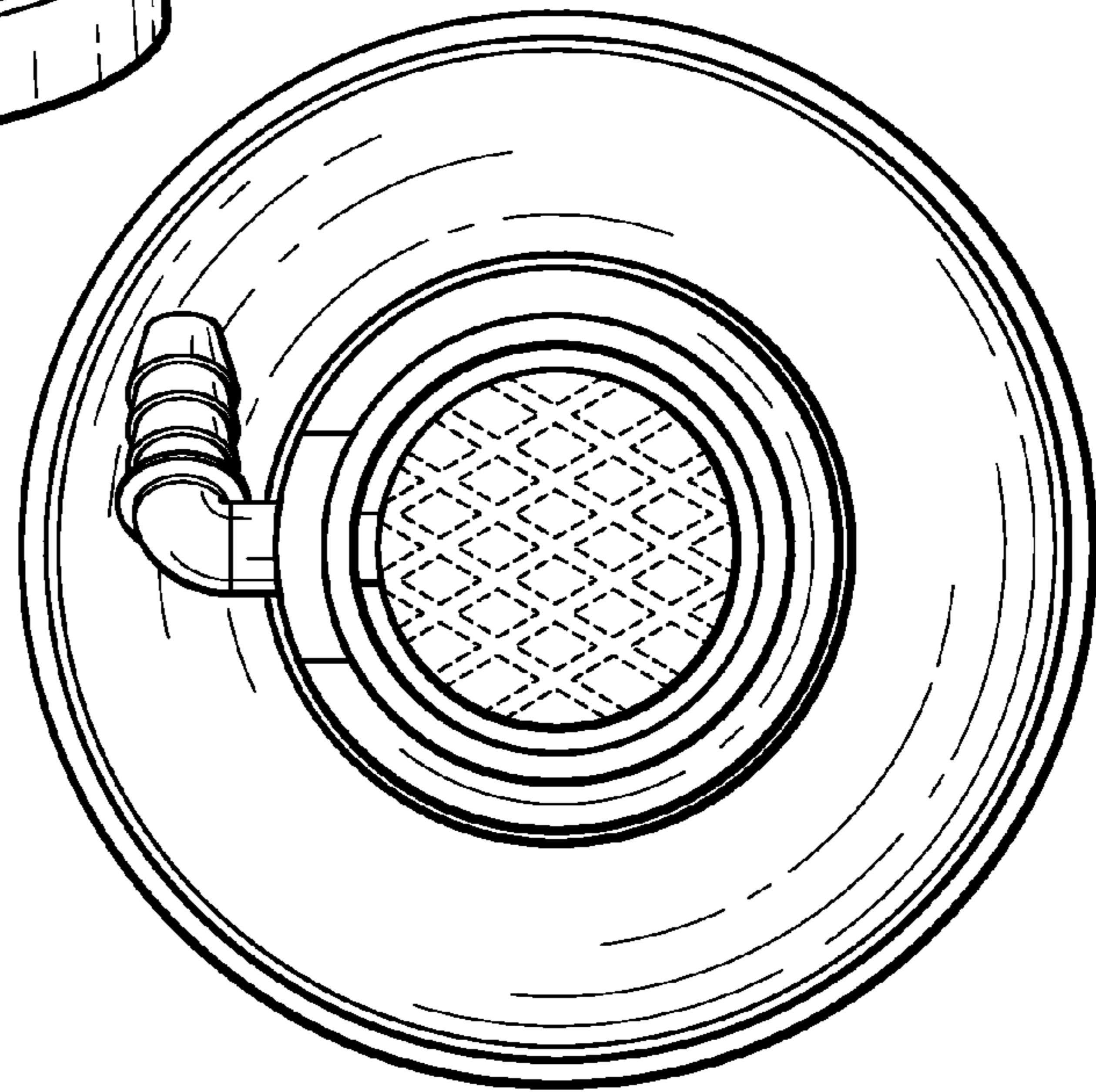
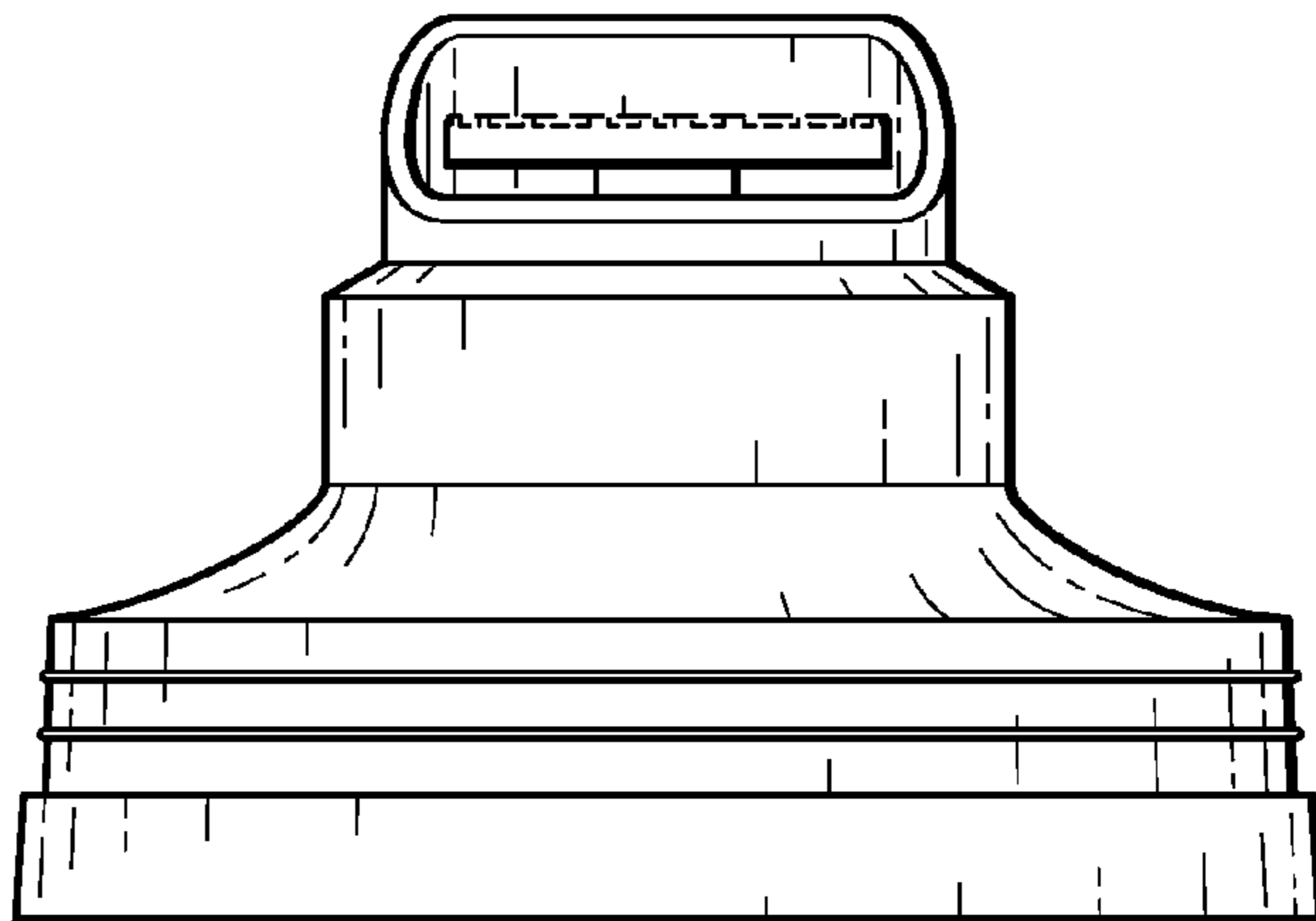


FIG. 12

FIG. 13



UNITED STATES PATENT AND TRADEMARK OFFICE  
**CERTIFICATE OF CORRECTION**

PATENT NO. : Des. 613,830 S  
APPLICATION NO. : 29/293902  
DATED : April 13, 2010  
INVENTOR(S) : Richard Mannoia

Page 1 of 2

It is certified that error appears in the above-identified patent and that said Letters Patent is hereby corrected as shown below:

The sheet of drawing consisting of Figures 7-9 should be deleted to appear as per attached Figures 7-9.

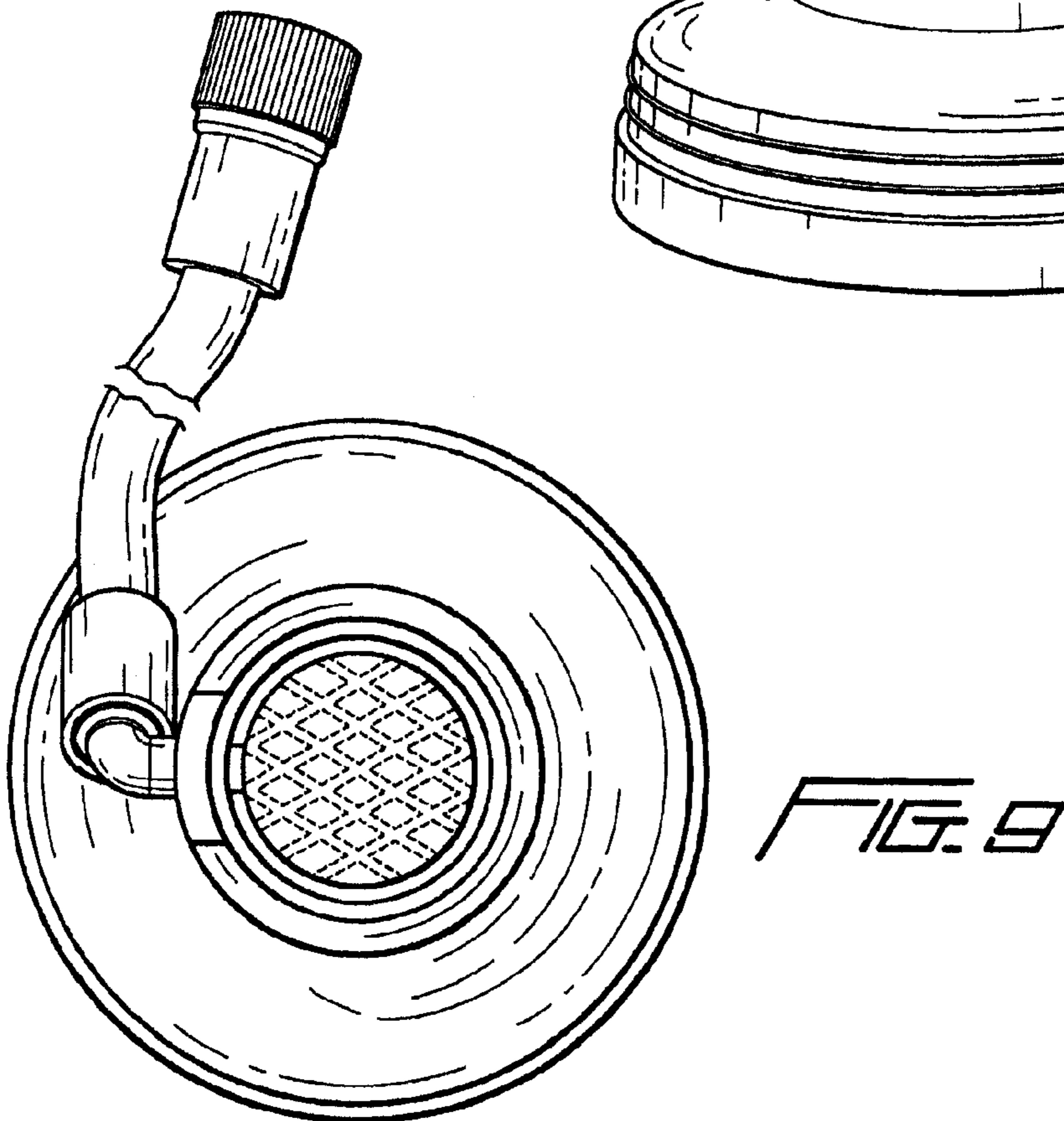
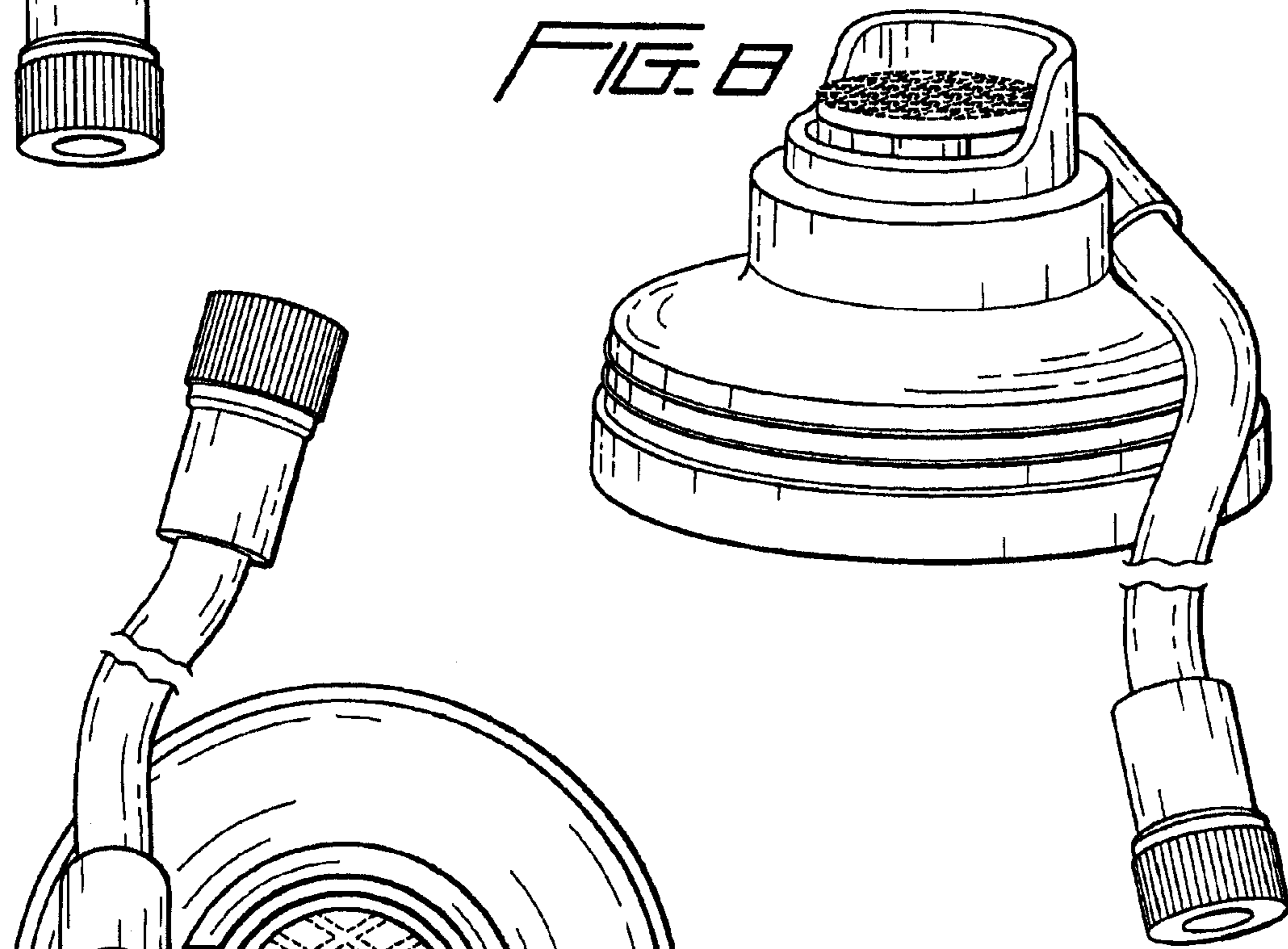
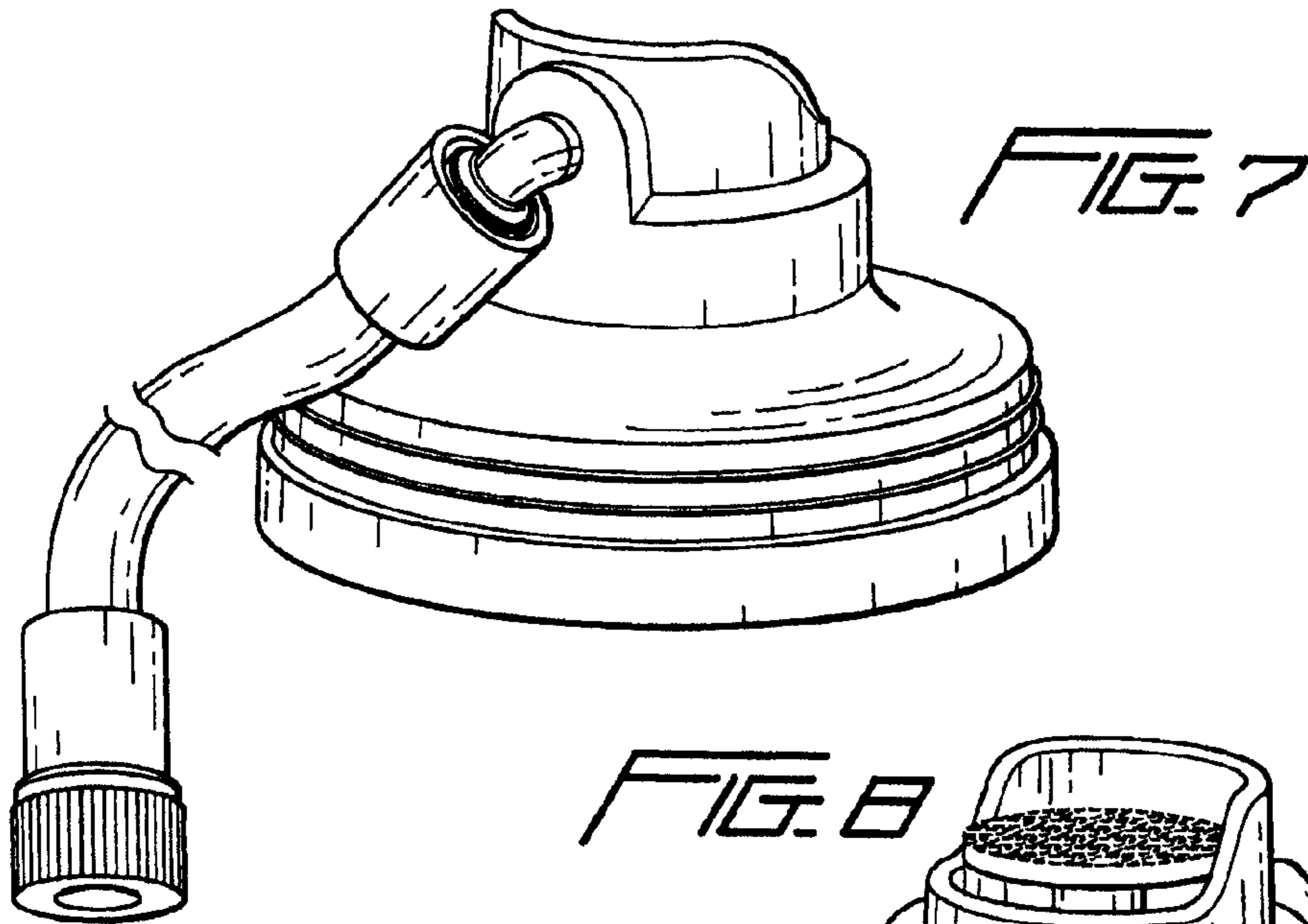
Signed and Sealed this

Eighth Day of June, 2010

A handwritten signature in black ink that reads "David J. Kappos". The signature is written in a cursive style with a large initial 'D' and 'K'.

David J. Kappos  
*Director of the United States Patent and Trademark Office*







UNITED STATES PATENT AND TRADEMARK OFFICE  
**CERTIFICATE OF CORRECTION**

PATENT NO. : Des. 613,830 S  
APPLICATION NO. : 29/293902  
DATED : April 13, 2010  
INVENTOR(S) : Richard Mannoia

Page 1 of 2

It is certified that error appears in the above-identified patent and that said Letters Patent is hereby corrected as shown below:

The title page should be deleted and substitute therefor the attached title page.

Signed and Sealed this

Twenty-second Day of June, 2010

A handwritten signature in black ink that reads "David J. Kappos". The signature is written in a cursive style with a large initial 'D' and a stylized 'K'.

David J. Kappos  
*Director of the United States Patent and Trademark Office*

(12) **United States Design Patent**  
**Mannoia**

(10) **Patent No.:** **US D613,830 S**  
 (45) **Date of Patent:** **\*\* Apr. 13, 2010**

(54) **HOSE, ACTUATOR AND CAP ASSEMBLY**

**DESCRIPTION**

(76) **Inventor:** **Richard Mannoia**, 110 N. Ocean Ave., Patchogue, NY (US) 11722

(\*\*) **Term:** **14 Years**

(21) **Appl. No.:** **29/293,902**

(22) **Filed:** **Dec. 17, 2007**

(51) **LOC (9) Cl.** ..... **23-01**

(52) **U.S. Cl.** ..... **D23/266**

(58) **Field of Classification Search** ..... **D23/259-269,**  
**D23/285, 303, 337, 356; 138/109, 110, 119,**  
**138/134, 135, 137-146**

See application file for complete search history.

(56) **References Cited**

**U.S. PATENT DOCUMENTS**

D482,432 S *	11/2003	Matsumoto	.....	D23/262
6,701,982 B1 *	3/2004	Ortiz et al.	.....	141/392
D491,664 S *	6/2004	Patzer	.....	D24/158
D497,976 S *	11/2004	Goetz et al.	.....	D23/245
D526,387 S *	8/2006	Bonomi	.....	D23/236

\* cited by examiner

*Primary Examiner*—Daniel D Bui

*Assistant Examiner*—Thomas J Johannes

(74) *Attorney, Agent, or Firm*—Brian Roffe

(57) **CLAIM**

The new, original and ornamental design for a hose, actuator and/or cap assembly, as shown and described.

FIG. 1 is a front, right side perspective view of a hose, actuator and cap assembly, showing my new design;

FIG. 2 is a top plan view thereof;

FIG. 3 is a right side elevational view thereof;

FIG. 4 is a front elevational view thereof;

FIG. 5 is a left side elevational view thereof;

FIG. 6 is a bottom plan view thereof;

FIG. 7 is a front, right side perspective view thereof with the cap removed for clarity of detail;

FIG. 8 is a rear, left side perspective thereof;

FIG. 9 is a top plan view thereof;

FIG. 10 is a front, right side perspective view thereof with the cap and hose removed for clarity of detail;

FIG. 11 is a top plan view thereof;

FIG. 12 is a right side elevational view thereof; and,

FIG. 13 is a rear view thereof.

The hose is shown broken away with solid, cut-off lines in the figures to indicate that no specific length is being claimed - it is understood that the interrupted portion of the hose has a uniform shape and appearance through out its length.

The broken line portion of the figure drawings showing the surface tread on the actuator button in FIGS. 2, 3, 5, 8, 9, 11, 12, and 13 is included to show unclaimed subject matter only and forms no part of the claimed design.

**1 Claim, 5 Drawing Sheets**

