



US00D613829S

(12) **United States Design Patent**
Griffin et al.

(10) **Patent No.:** **US D613,829 S**
(45) **Date of Patent:** **** Apr. 13, 2010**

(54) **CIRCULAR SUCTION OUTLET ASSEMBLY COVER**

(75) Inventors: **Ronald H. Griffin**, Boonville, NC (US);
Robert Rung, Hopatcong, NJ (US)

(73) Assignee: **Hayward Industries, Inc.**, Elizabeth, NJ (US)

(**) Term: **14 Years**

(21) Appl. No.: **29/327,789**

(22) Filed: **Nov. 13, 2008**

Related U.S. Application Data

(63) Continuation-in-part of application No. 11/520,399, filed on Sep. 13, 2006.

(51) **LOC (9) Cl.** **23-01**
(52) **U.S. Cl.** **D23/260**
(58) **Field of Classification Search** D23/259–269;
4/286–292, 541–542, 544; 210/474, 477,
210/482

See application file for complete search history.

(56) **References Cited**

U.S. PATENT DOCUMENTS

2,701,027 A	2/1955	Scoville	
D191,184 S *	8/1961	Scholz	D23/261
3,940,807 A	3/1976	Baker et al.	
4,276,163 A	6/1981	Gordon	
4,402,094 A	9/1983	Sanders	
D290,166 S *	6/1987	Jacuzzi	D23/261
D299,522 S *	1/1989	Chalberg	D23/261
D300,558 S *	4/1989	Warnekros	D24/181
D319,295 S *	8/1991	Ohaus	D23/261
D344,325 S *	2/1994	Chalberg	D23/261
D363,768 S	10/1995	Morgan	

D377,389 S	1/1997	Phillips et al.	
5,734,999 A	4/1998	Nicholas	
5,978,981 A	11/1999	Nelson	
6,088,842 A	7/2000	Barnett	
6,170,095 B1	1/2001	Zars	
6,341,387 B1	1/2002	Zars	
6,374,854 B1	4/2002	Acosta	
6,393,631 B2	5/2002	Schroader	
6,397,408 B1	6/2002	Veloskey et al.	
6,453,482 B1	9/2002	Mullings	
D466,198 S *	11/2002	Mullings	D23/261
6,637,464 B1	10/2003	Cornwall	
D485,889 S	1/2004	DuBois	
6,738,994 B2	5/2004	Barnett et al.	
6,817,043 B2	11/2004	Zars	
D581,723 S *	12/2008	Pan	D7/375
2004/0139541 A1	7/2004	Barnett	
2007/0180604 A1	8/2007	Griffin et al.	
2007/0180605 A1	8/2007	Griffin et al.	

* cited by examiner

Primary Examiner—T. Chase Nelson
Assistant Examiner—Eric L Goodman
(74) *Attorney, Agent, or Firm*—McCarter & English, LLP

(57) **CLAIM**

The ornamental design for a circular suction outlet assembly cover, as shown and described.

DESCRIPTION

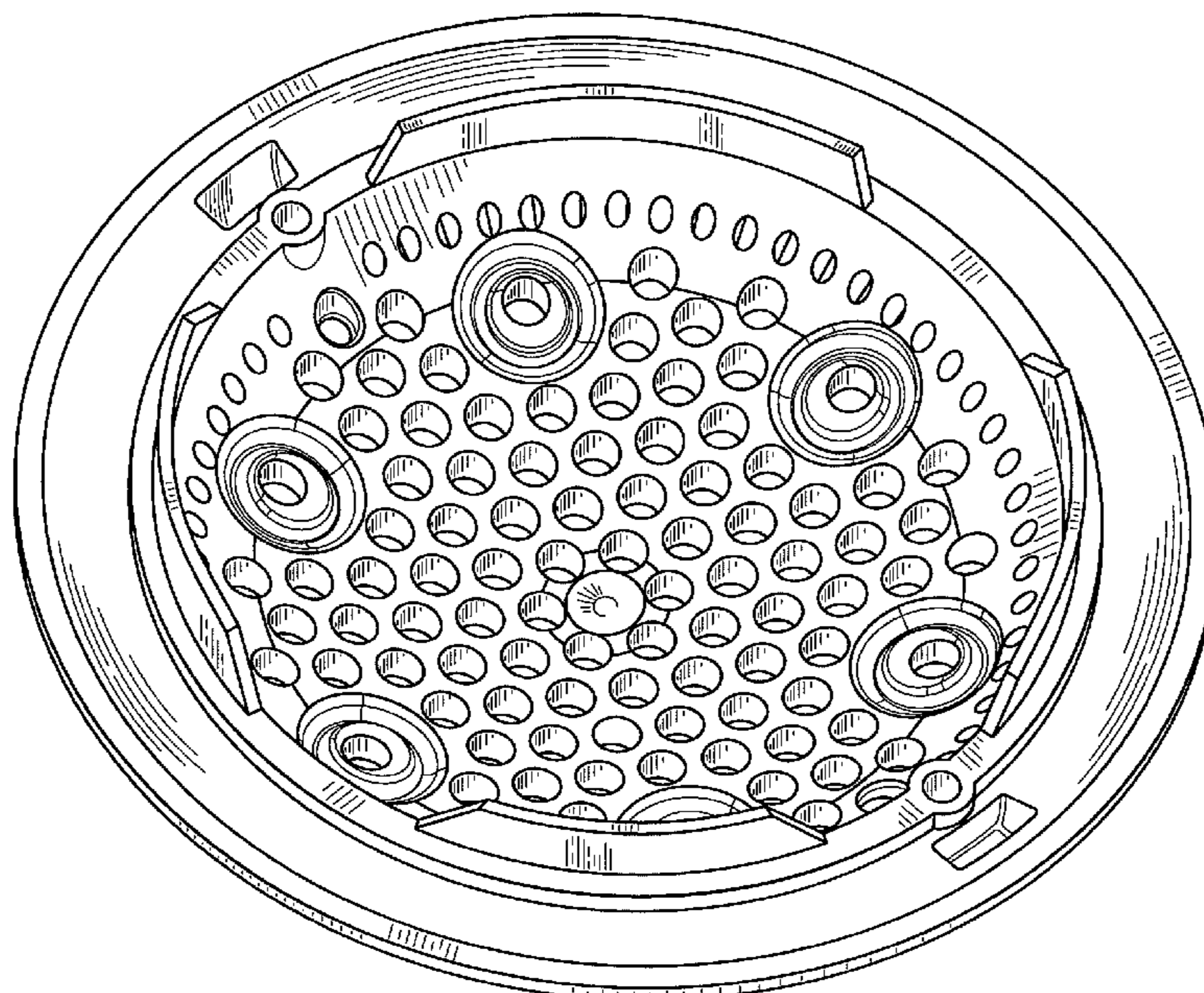
FIG. 1 is a bottom perspective view of an exemplary circular suction outlet assembly cover, depicting applicant's new design;

FIG. 2 is a side elevational view thereof.

FIG. 3 is a top plan view thereof; and,

FIG. 4 is a bottom plan view thereof.

1 Claim, 4 Drawing Sheets



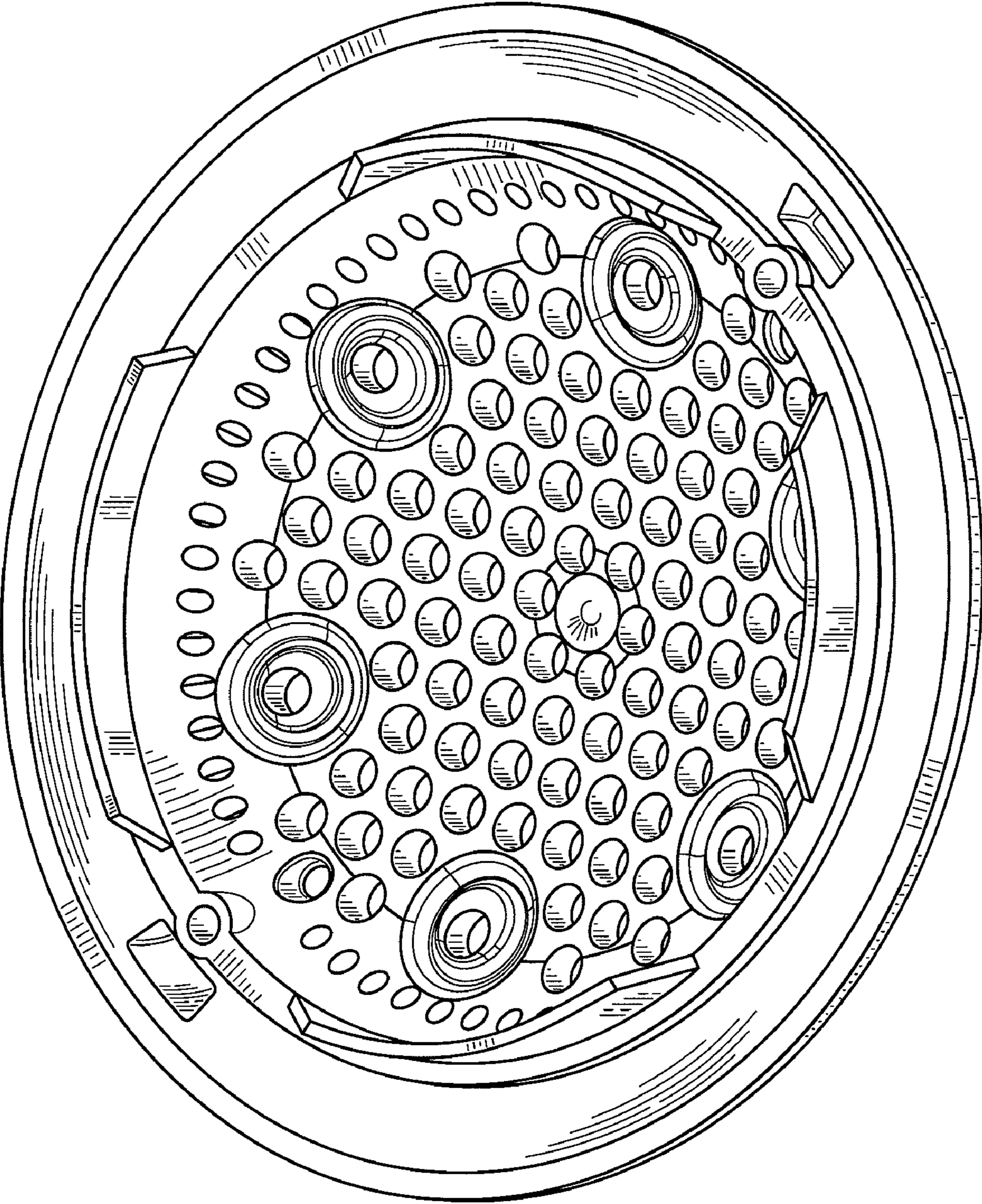


FIG. 1

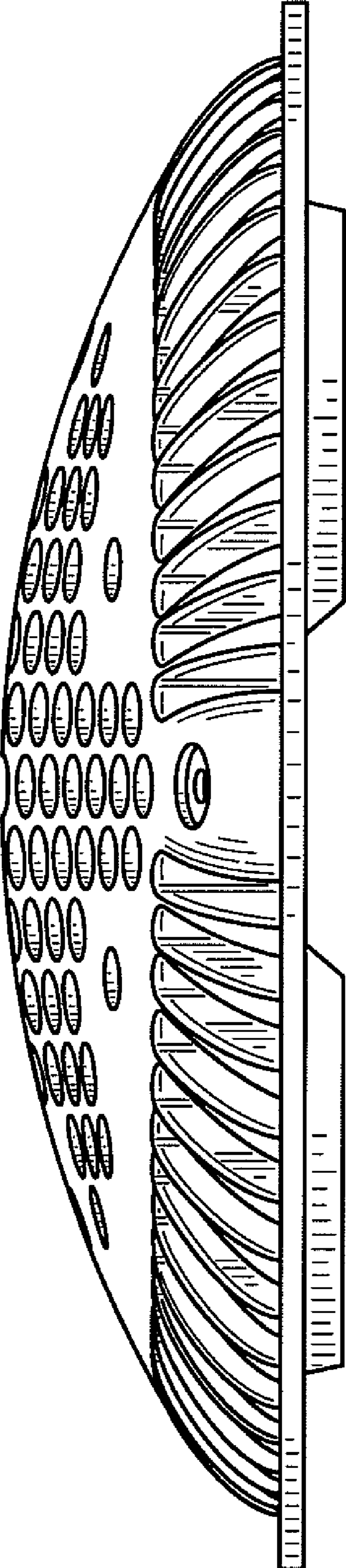


FIG. 2

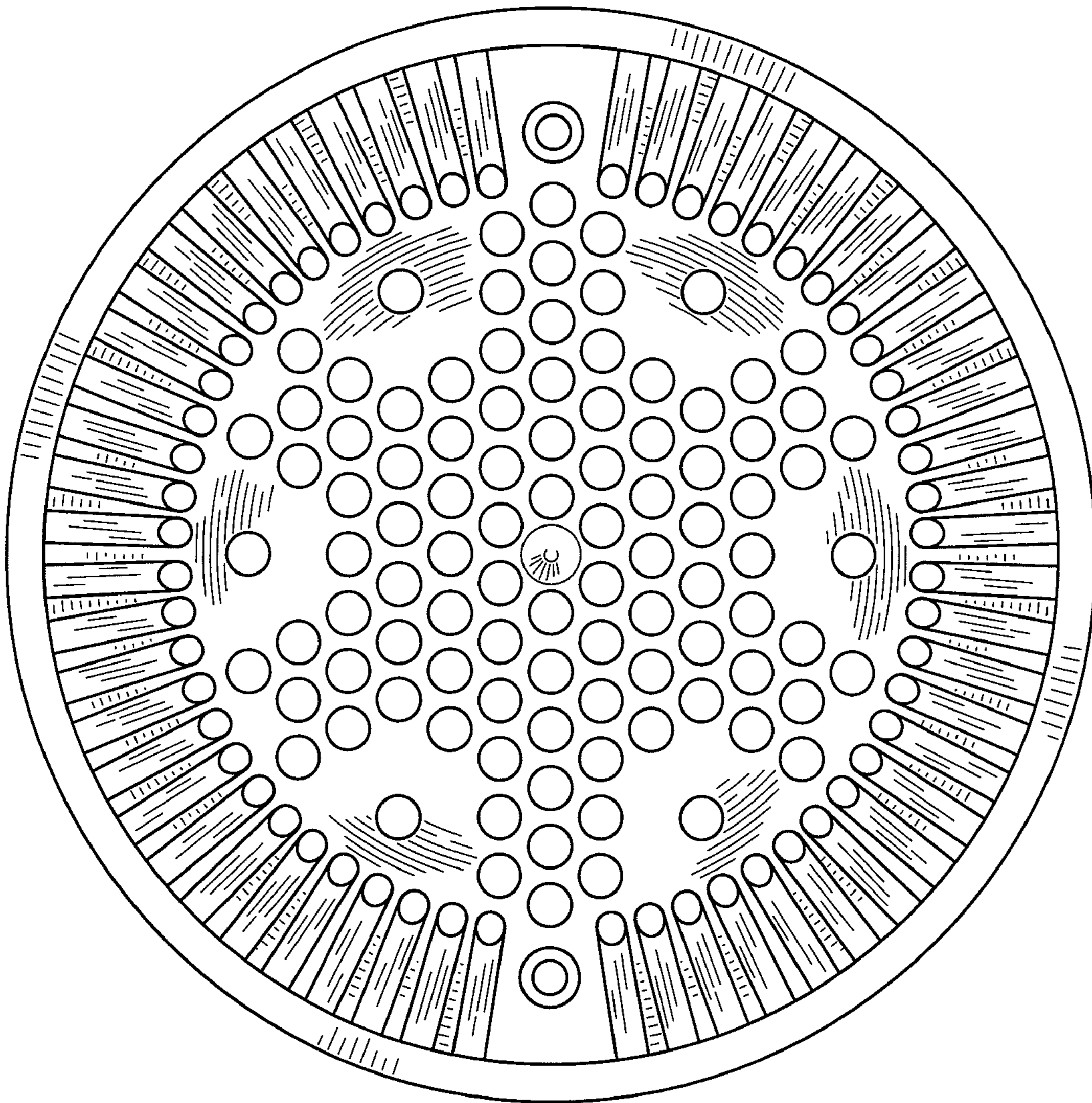


FIG. 3

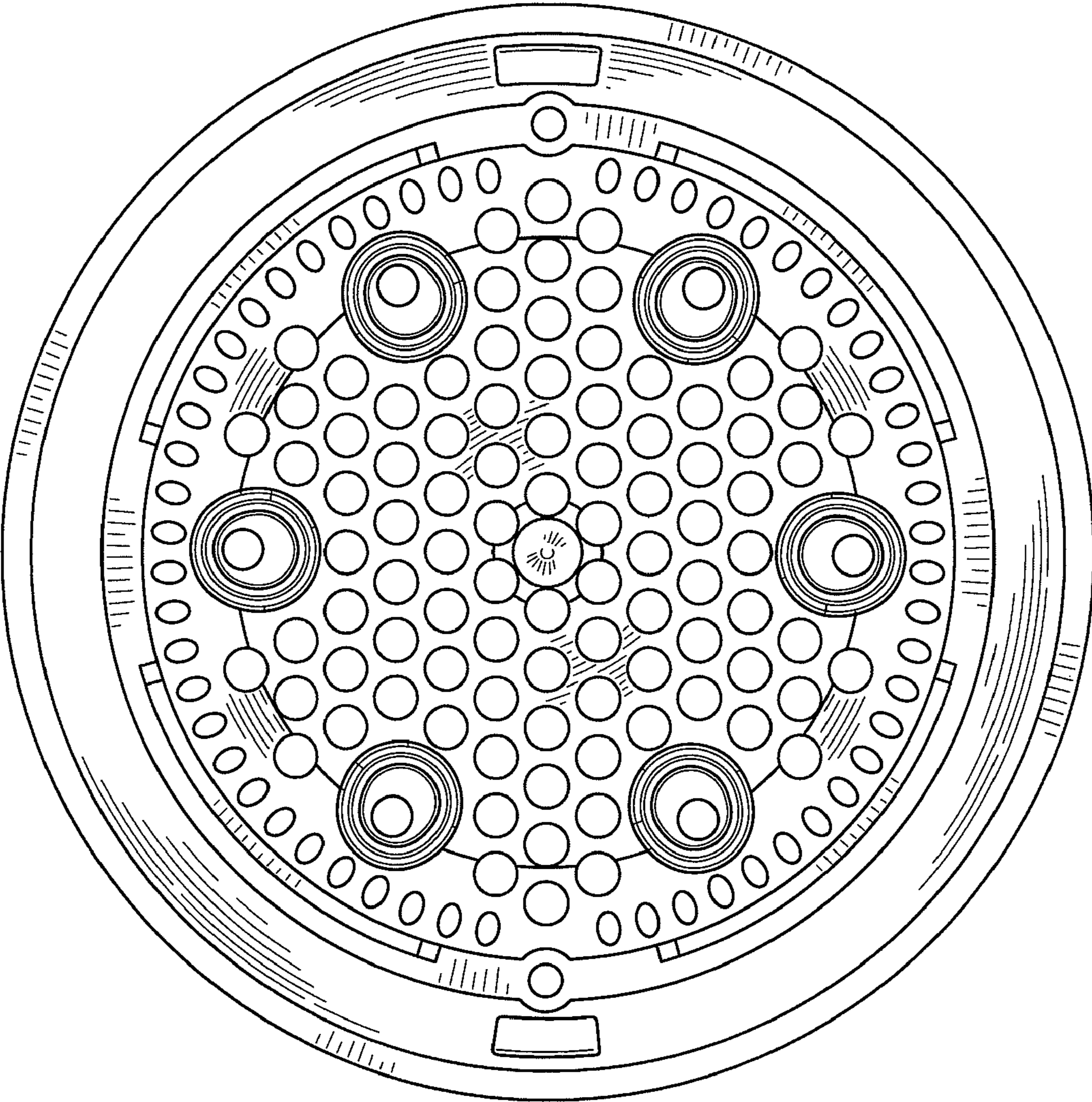


FIG. 4