



US00D613828S

(12) **United States Design Patent**
Kinchen

(10) **Patent No.:** **US D613,828 S**

(45) **Date of Patent:** **** Apr. 13, 2010**

(54) **WASTE RECEPTACLE COVER**

(76) Inventor: **Frank Kinchen**, 30788 Rob Kinchen Rd., Tickfaw, LA (US) 70466

(**) Term: **14 Years**

(21) Appl. No.: **29/310,117**

(22) Filed: **Jul. 28, 2008**

(51) **LOC (9) Cl.** **23-01**

(52) **U.S. Cl.** **D23/260**

(58) **Field of Classification Search** D23/259-269;
4/286-295, 679-694, 596-614

See application file for complete search history.

(56) **References Cited**

U.S. PATENT DOCUMENTS

156,971	A *	11/1874	Beins et al.	217/100
2,169,896	A *	8/1939	Gazey	29/890.132
D205,276	S *	7/1966	Gazey	D23/260
D273,413	S *	4/1984	McMurray	D23/269
D441,848	S *	5/2001	Huang	D23/261
D449,873	S *	10/2001	Bronson	D23/261
D450,106	S *	11/2001	Herr	D23/261
D454,177	S *	3/2002	Tracy	D23/261

2007/0044218 A1* 3/2007 Ball 4/286
2008/0098504 A1* 5/2008 Knox et al. 4/286

* cited by examiner

Primary Examiner—T. Chase Nelson

Assistant Examiner—Eric L Goodman

(74) *Attorney, Agent, or Firm*—Keaty Law Firm

(57) **CLAIM**

The ornamental design for a waste receptacle cover, as shown and described.

DESCRIPTION

FIG. 1 is a perspective view of my design for a waste receptacle cover.

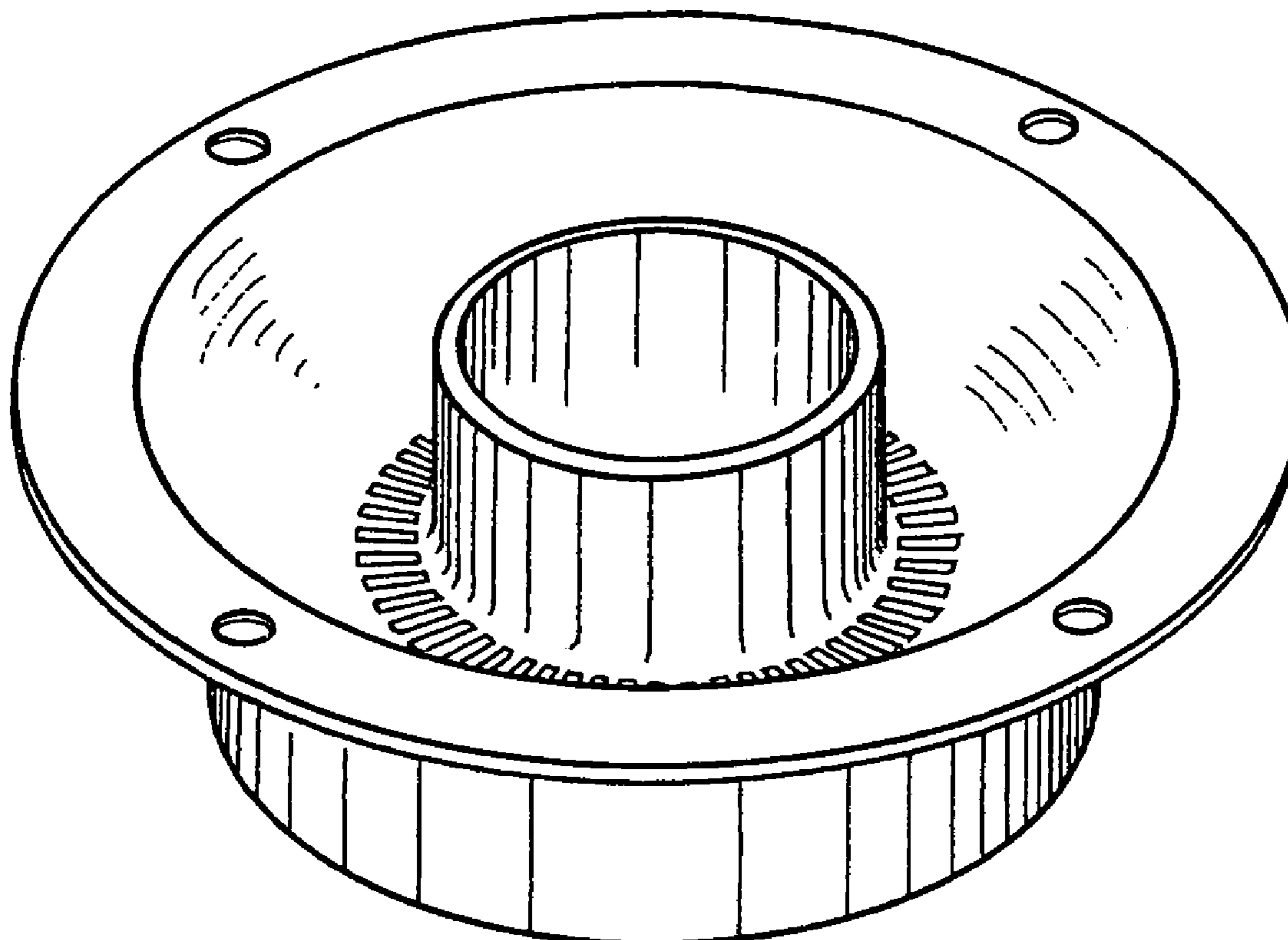
FIG. 2 is a top view of the waste receptacle cover shown in FIG. 1.

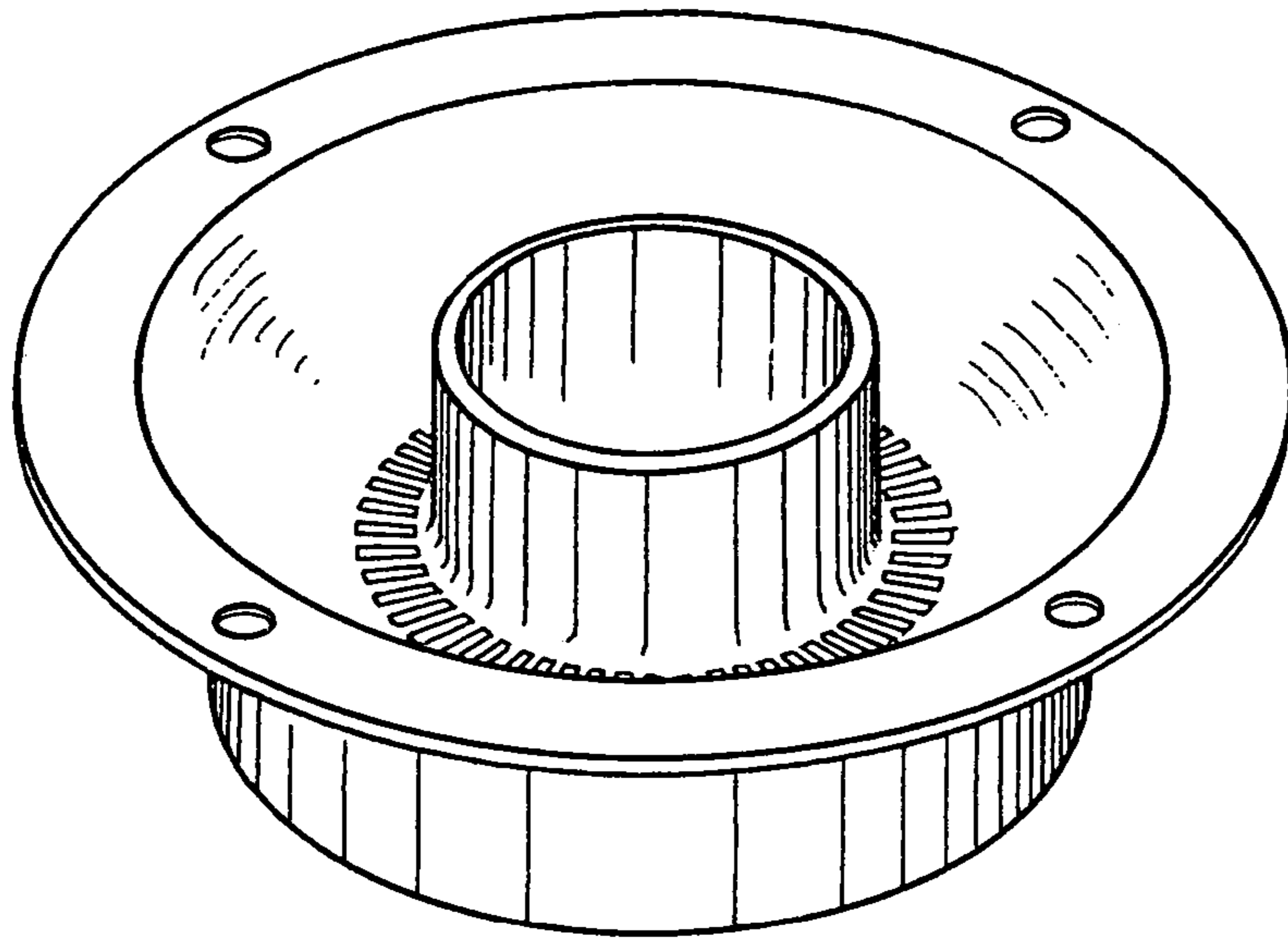
FIG. 3 is a side view thereof; and,

FIG. 4 is a bottom view thereof.

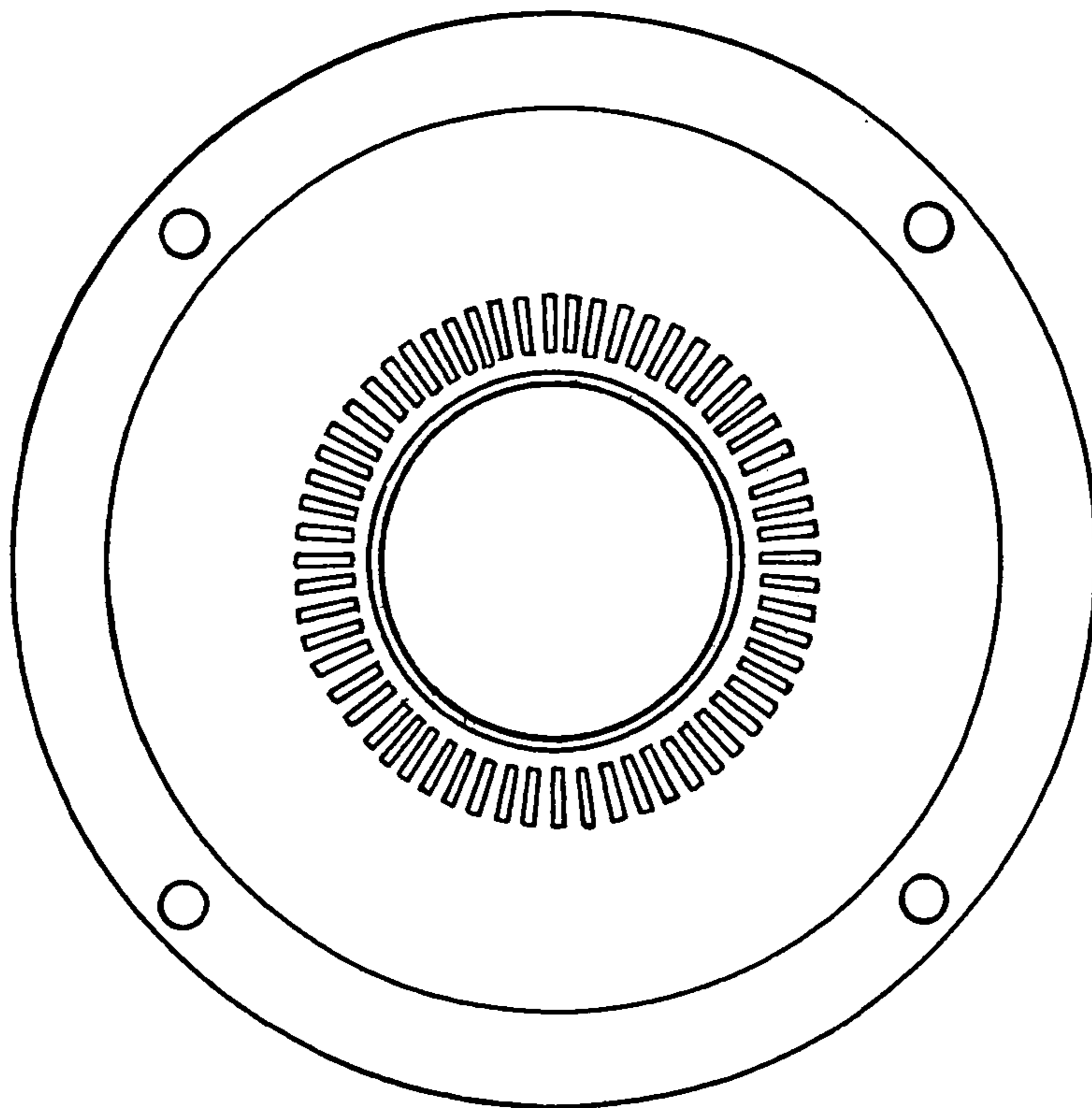
The broken lines in FIG. 4 depict the boundaries of the claimed design, and indicate that the broken lines and surfaces within the broken line boundary form no part of the claimed design.

1 Claim, 2 Drawing Sheets

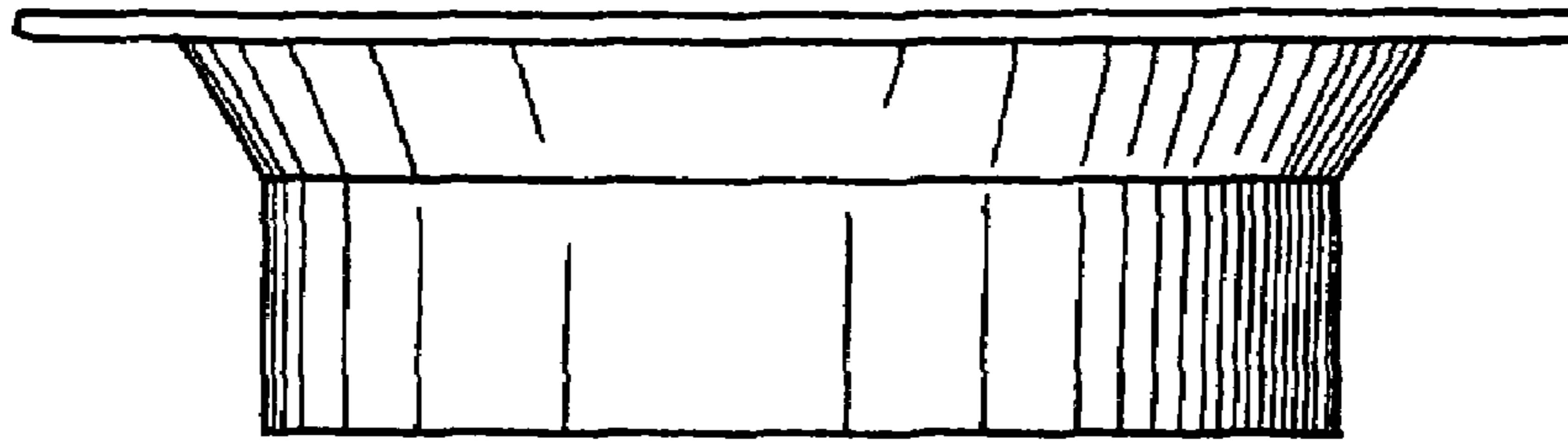




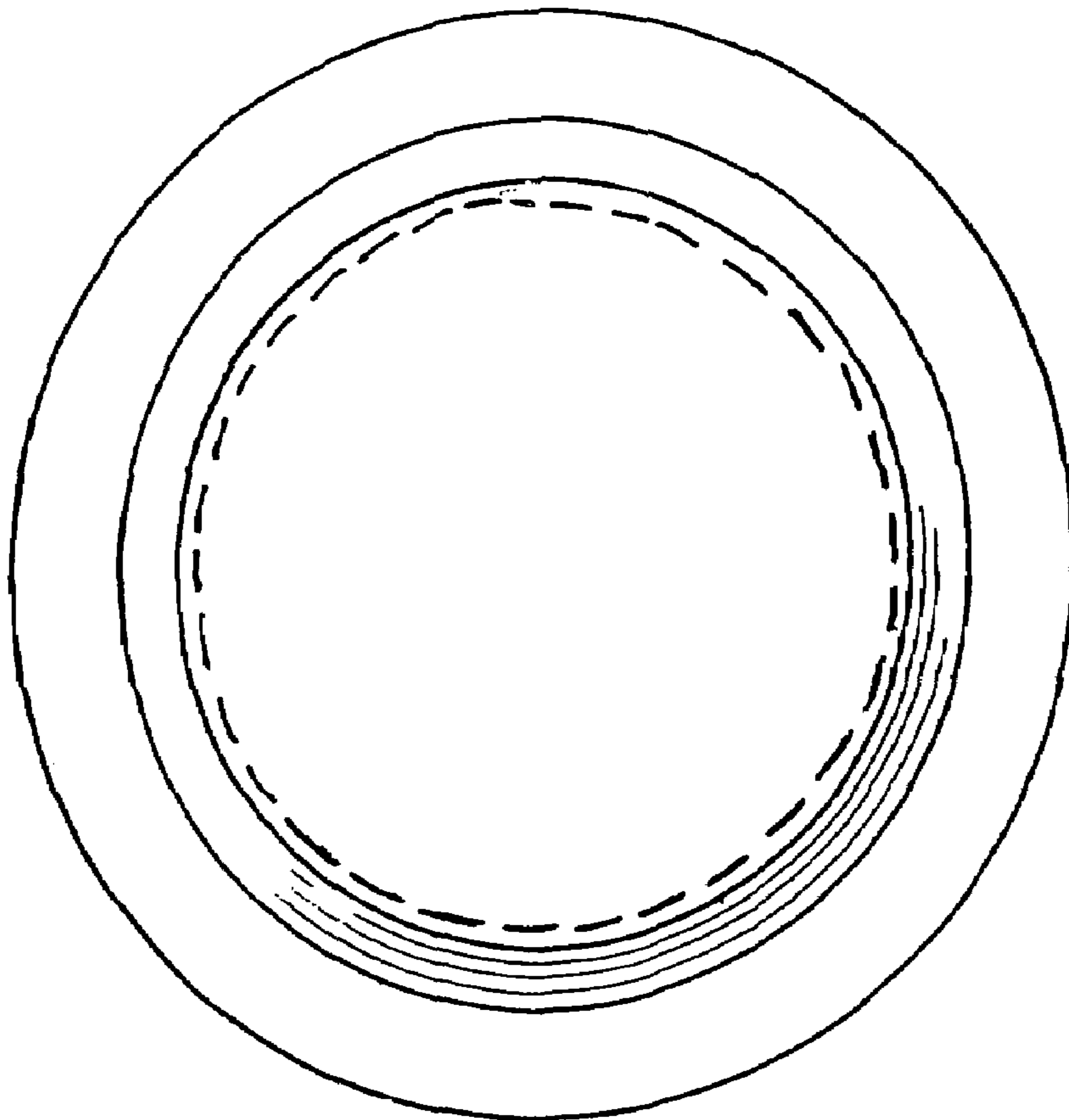
F I G . 1



F I G . 2



F I G . 3



F I G . 4