



US00D613827S

(12) **United States Design Patent**
Damaske et al.

(10) **Patent No.:** **US D613,827 S**
(45) **Date of Patent:** **** Apr. 13, 2010**

(54) **HOSE FITTING**

(75) Inventors: **Suzanne Damaske**, Howell, MI (US);
Les Kohli, Cridersville, OH (US);
Kenneth J. Hall, Jackson, MI (US)

(73) Assignee: **Theftord Corporation**, Ann Arbor, MI (US)

(**) Term: **14 Years**

(21) Appl. No.: **29/333,679**

(22) Filed: **Mar. 13, 2009**

(51) **LOC (9) Cl.** **23-01**

(52) **U.S. Cl.** **D23/259**

(58) **Field of Classification Search** D23/259-269;
285/11-12, 7, 177, 394-395, 307, 179, 179.1,
285/133.11, 133.12, 423, 358, 903; 138/177-179;
403/350, 409.1; 292/58-59

See application file for complete search history.

(56) **References Cited**

U.S. PATENT DOCUMENTS

- 2,718,012 A 9/1955 Howe
- 3,320,621 A 5/1967 Vita
- 3,699,592 A 10/1972 Minchak
- 3,733,617 A 5/1973 Bennett
- 3,762,684 A 10/1973 Stein
- 3,811,462 A 5/1974 Feliz
- 3,878,569 A 4/1975 Peirish, Jr. et al.
- 3,963,040 A 6/1976 Gezari
- 4,032,995 A 7/1977 Kemper
- 4,111,225 A 9/1978 Phelps
- 4,133,347 A 1/1979 Mercer
- 4,223,702 A 9/1980 Cook
- 4,550,453 A 11/1985 Norman
- 4,554,949 A 11/1985 Sell
- 4,587,994 A 5/1986 Links et al.
- 4,643,229 A 2/1987 Hickin
- 4,722,556 A 2/1988 Todd
- 4,734,943 A 4/1988 Mellinger et al.
- 4,736,968 A 4/1988 Glegg
- 4,758,027 A 7/1988 Todd

- 4,779,650 A 10/1988 Sargent et al.
- 4,796,926 A 1/1989 Rapsilver
- 4,844,121 A 7/1989 Duke
- 4,846,212 A 7/1989 Scobie et al.
- 4,854,349 A 8/1989 Foreman
- D320,562 S * 10/1991 Brester et al. D9/452
- D324,727 S 3/1992 Rowley
- D325,075 S 3/1992 Rowley
- 5,141,017 A 8/1992 Trottier
- 5,311,909 A 5/1994 Adcock
- 5,330,233 A 7/1994 Kress
- 5,417,460 A 5/1995 Lunder

(Continued)

FOREIGN PATENT DOCUMENTS

WO WO-2004039638 A2 5/2004

Primary Examiner—T. Chase Nelson
Assistant Examiner—Eric L Goodman
(74) *Attorney, Agent, or Firm*—Harness, Dickey & Pierce, P.L.C.

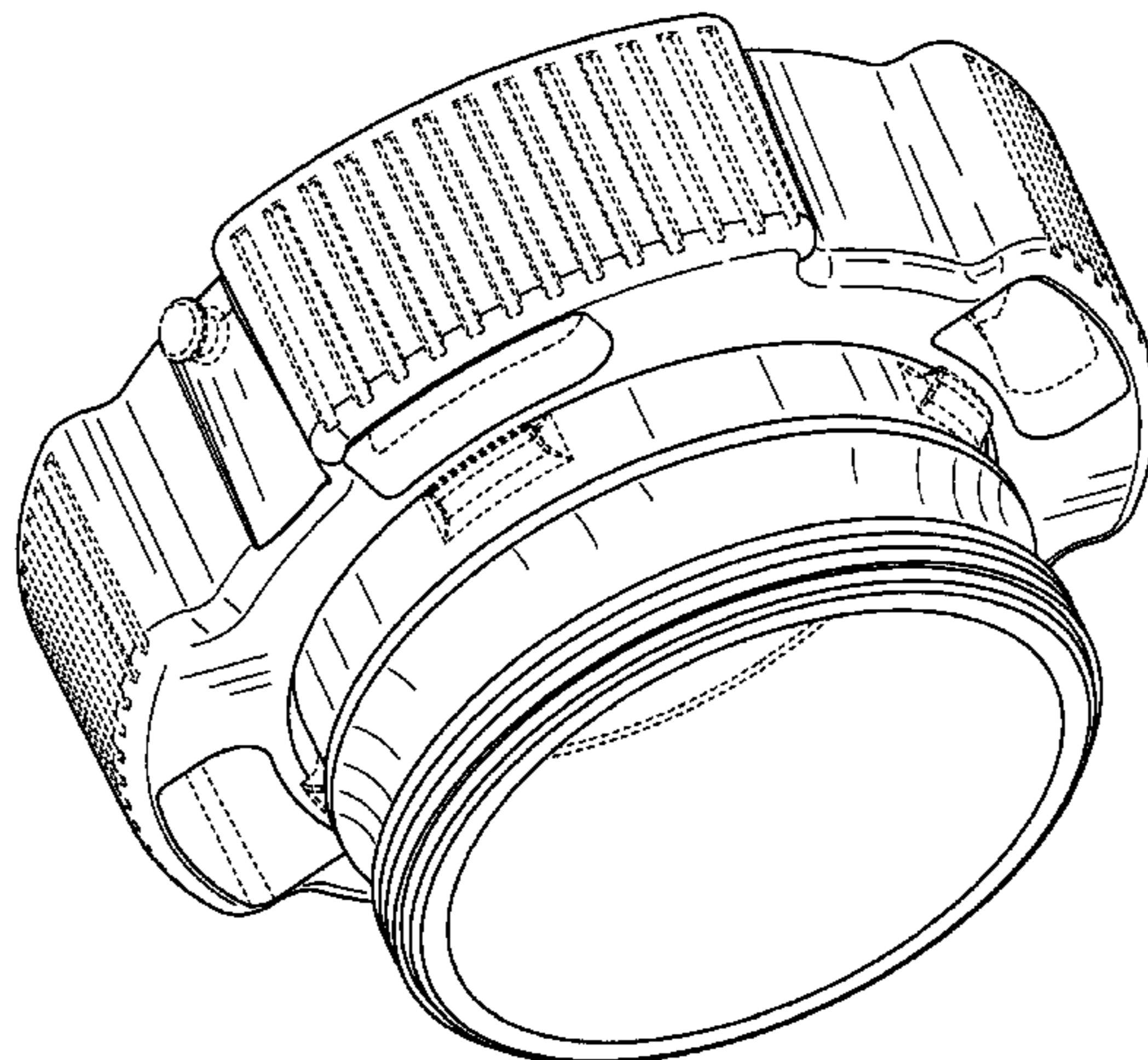
(57) **CLAIM**

The ornamental design for a hose fitting, as shown and described.

DESCRIPTION

FIG. 1 is a perspective view of a hose fitting in accordance with out design;
FIG. 2 is a side view thereof;
FIG. 3 is another side view thereof;
FIG. 4 is another side view thereof;
FIG. 5 is a a is a bottom view thereof; and,
FIG. 6 is a top view thereof.
The broken line showing is for the purpose of illustrating portions of the article and forms no part of the claimed design.

1 Claim, 6 Drawing Sheets



US D613,827 S

Page 2

U.S. PATENT DOCUMENTS					
5,431,455	A	7/1995 Seely	7,144,046	B1	12/2006 Lape, Sr. et al.
5,653,262	A	8/1997 Hanemaayer	D547,172	S *	7/2007 Kent et al. D8/397
5,934,331	A	8/1999 Earl	D549,815	S *	8/2007 Murphy D23/390
5,971,438	A	10/1999 Johnson	D561,302	S	2/2008 Brockington et al.
5,987,658	A	11/1999 Richards et al.	D564,637	S	3/2008 Brockington et al.
6,029,707	A	2/2000 Couch	D568,450	S *	5/2008 King et al. D23/261
D422,255	S *	4/2000 Gonzales D12/197	D585,348	S *	1/2009 Yan et al. D12/197
D441,848	S	5/2001 Huang	D586,433	S	2/2009 Price et al.
6,352,088	B1	3/2002 Stegall	2002/0032926	A1	3/2002 Lewis
6,427,715	B1	8/2002 Brockington et al.	2002/0179169	A1	12/2002 Shanfelt
6,550,074	B1	4/2003 Allenbaugh et al.	2003/0085571	A1	5/2003 Avery
6,607,009	B2	8/2003 Schoellhorn et al.	2004/0112432	A1	6/2004 Swarts
6,802,343	B2	10/2004 Faahs	2005/0150562	A1	7/2005 Anderson
6,886,867	B1	5/2005 Sutton et al.	2006/0070660	A1	4/2006 Swarts
6,957,668	B1	10/2005 Highsmith	2007/0007763	A1	1/2007 Deaton
6,991,192	B2	1/2006 Phillips et al.	2007/0052235	A1	3/2007 Buff
D514,663	S *	2/2006 French D23/233	2007/0295420	A1	12/2007 Swarts
7,013,922	B2	3/2006 Thum	2009/0236001	A1	9/2009 Damaske et al.

* cited by examiner

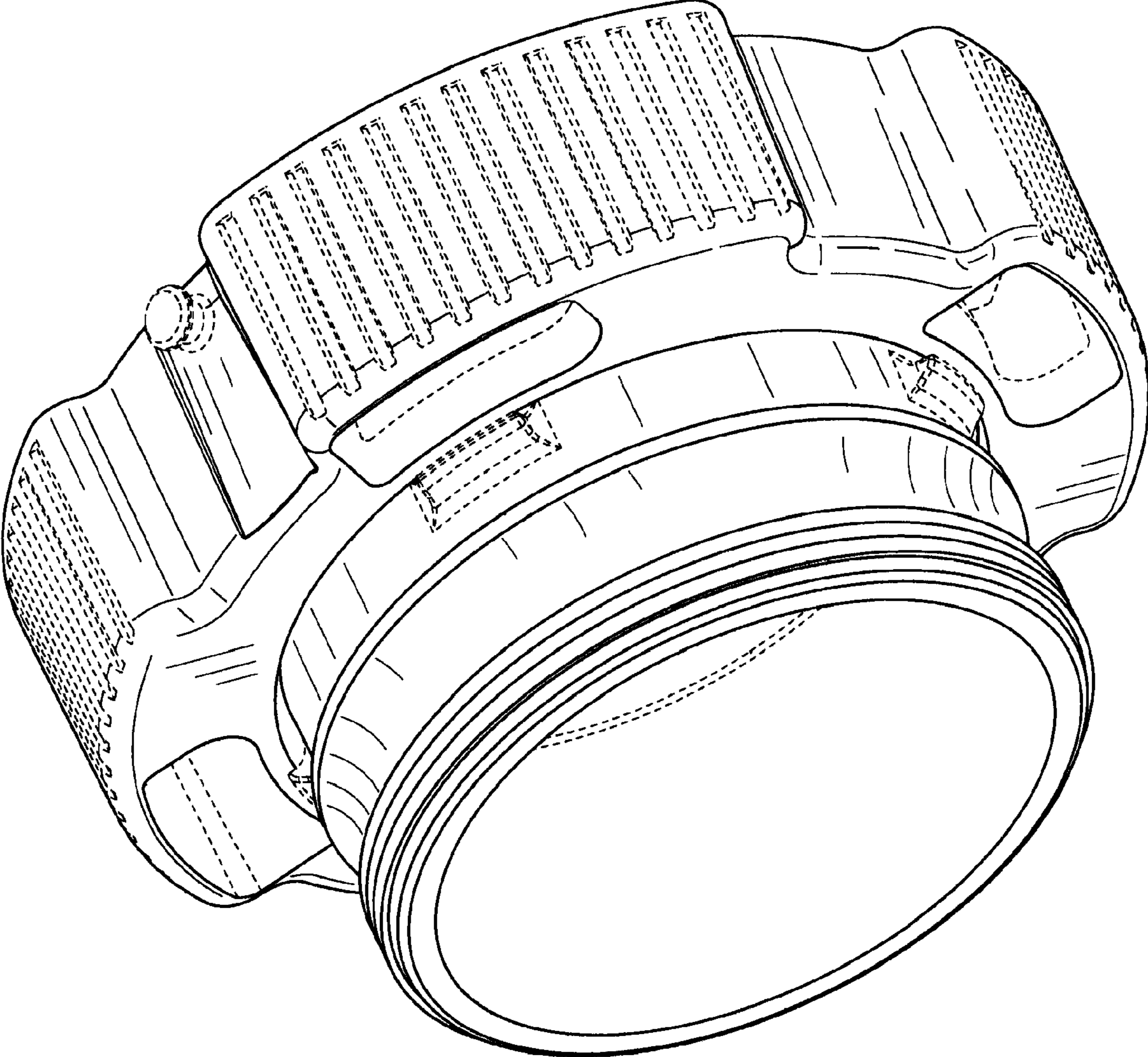


FIG. 1

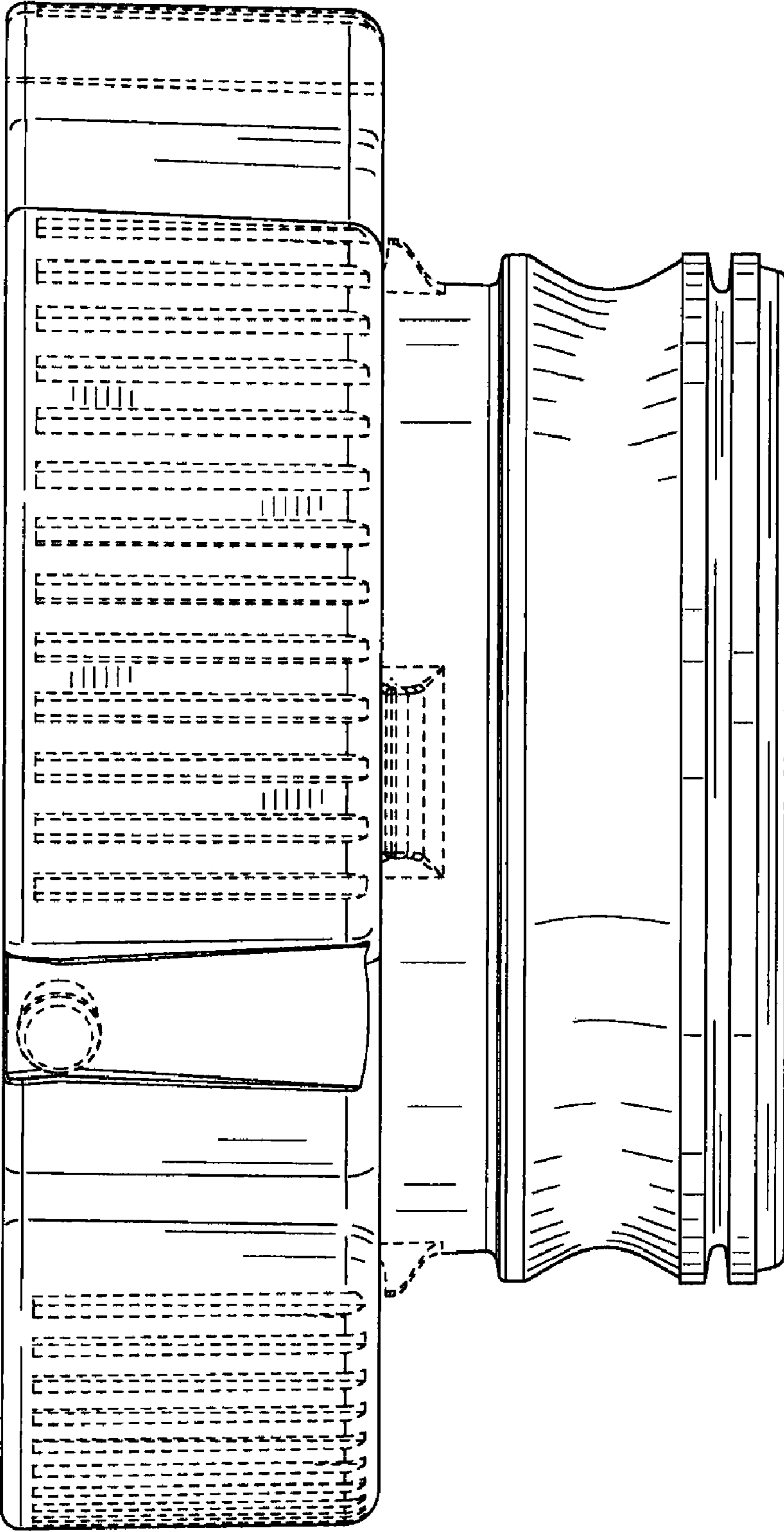


FIG. 2

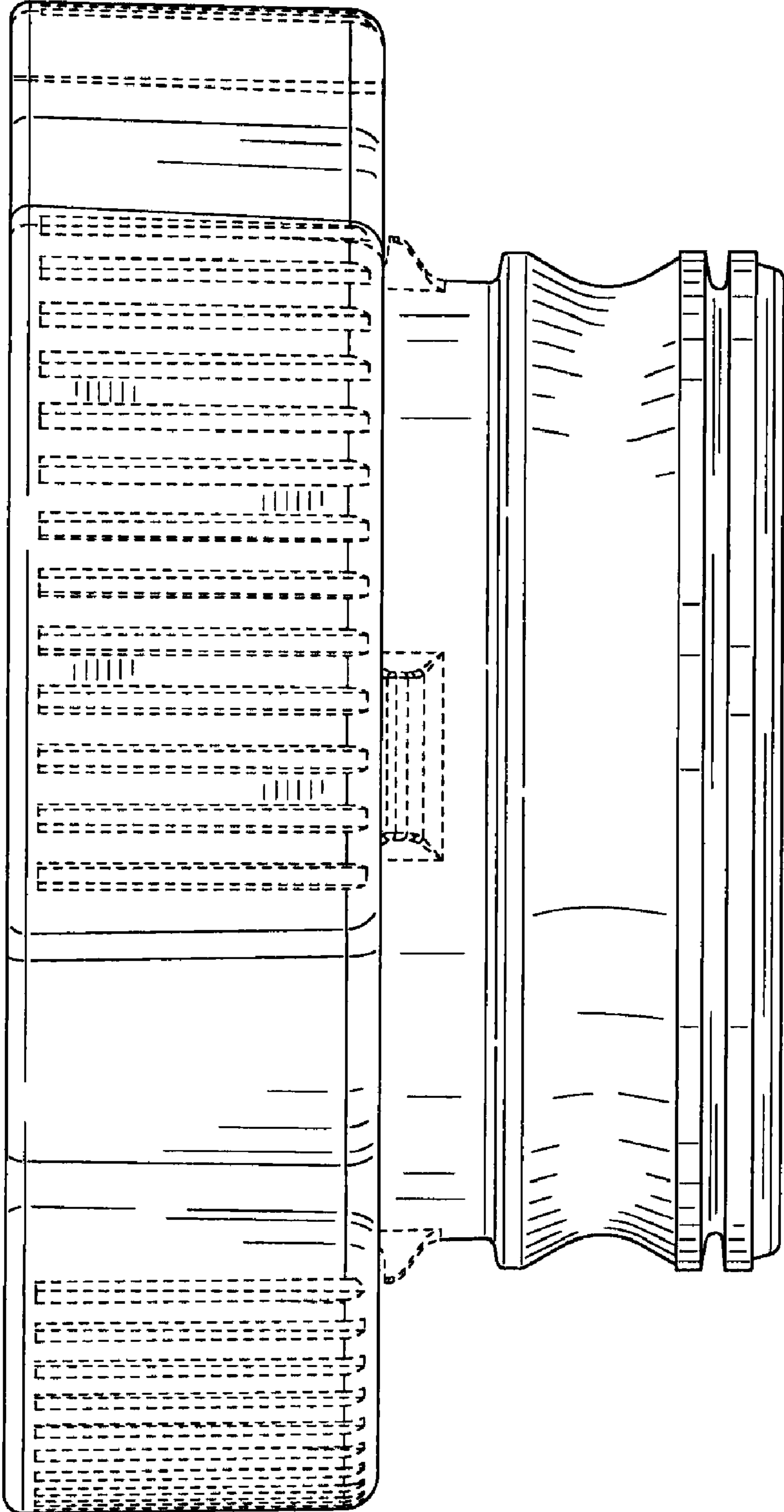


FIG. 3

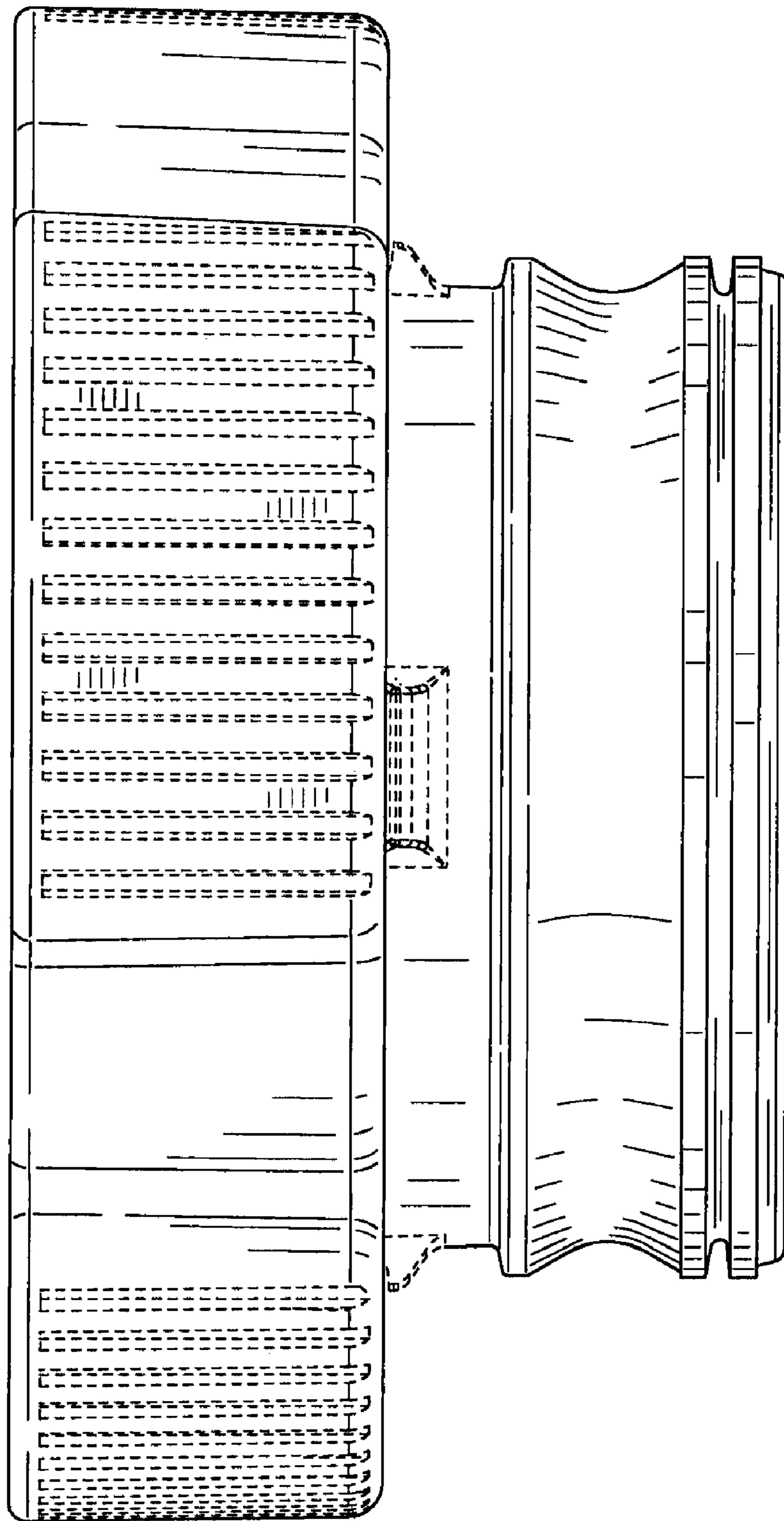


FIG. 4

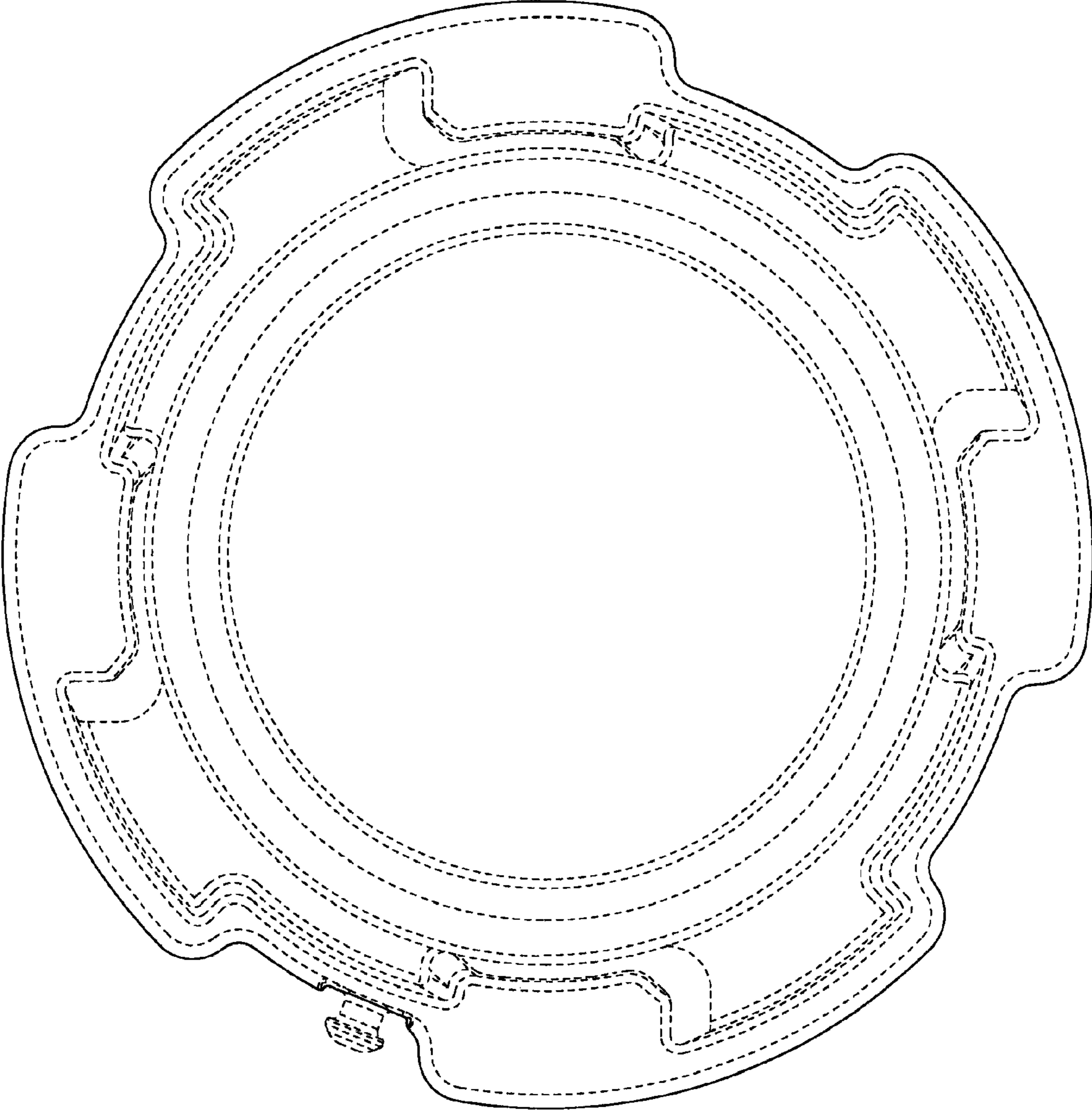


FIG. 5

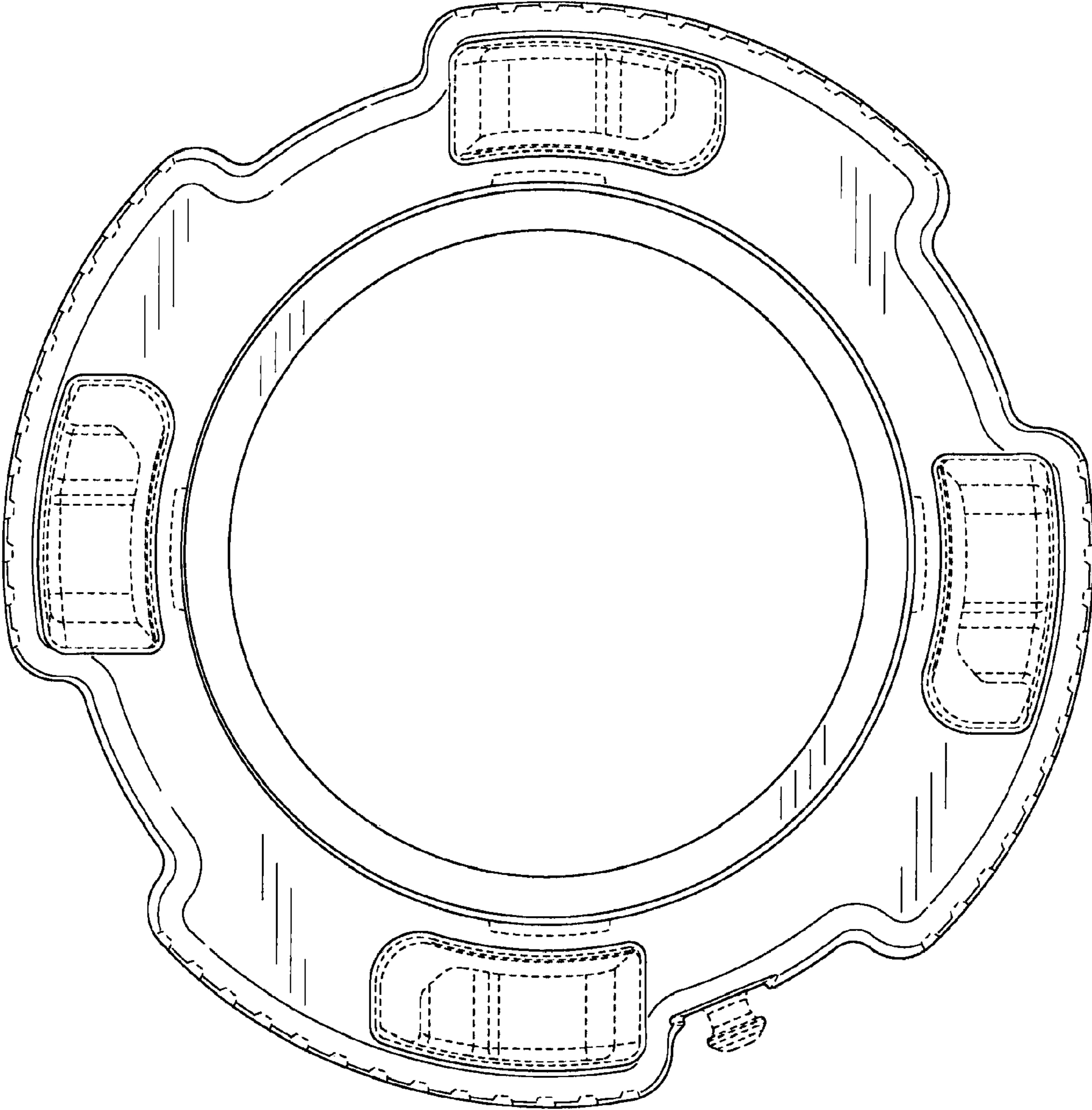


FIG. 6