



US00D613826S

(12) **United States Design Patent**
Hall et al.

(10) **Patent No.:** **US D613,826 S**
(45) **Date of Patent:** **** Apr. 13, 2010**

(54) **DRAIN ADAPTOR**
(75) Inventors: **Carrie Ellen Hall**, Jackson, MI (US);
Suzanne Damaske, Howell, MI (US);
Andy Bialorucki, Lambertville, MI
(US); **Dan Delaney**, Pinckney, MI (US)
(73) Assignee: **Thetford Corporation**, Ann Arbor, MI
(US)
(**) Term: **14 Years**
(21) Appl. No.: **29/333,678**
(22) Filed: **Mar. 13, 2009**

4,758,027 A * 7/1988 Todd 285/148.23
4,779,650 A 10/1988 Sargent et al.
4,796,926 A 1/1989 Rapsilver
4,844,121 A 7/1989 Duke
4,846,212 A 7/1989 Scobie et al.
4,854,349 A 8/1989 Foreman
D320,562 S 10/1991 Brester et al.
D324,727 S * 3/1992 Rowley D23/263
D325,075 S * 3/1992 Rowley D23/262
5,141,017 A 8/1992 Trottier
5,311,909 A 5/1994 Adcock
5,330,233 A 7/1994 Kress
5,417,460 A * 5/1995 Lunder 285/253

(Continued)

(51) **LOC (9) Cl.** **23-01**
(52) **U.S. Cl.** **D23/259**
(58) **Field of Classification Search** D23/259-269;
285/11-12, 7, 177, 394-395, 307, 179, 179.1,
285/133.11, 133.12, 423, 358, 903; 138/177-179;
403/350, 409.1; 292/58-59
See application file for complete search history.

FOREIGN PATENT DOCUMENTS

WO WO-2004039638 A2 5/2004

Primary Examiner—T. Chase Nelson
Assistant Examiner—Eric L Goodman
(74) *Attorney, Agent, or Firm*—Harness, Dickey & Pierce,
P.L.C.

(56) **References Cited**
U.S. PATENT DOCUMENTS

2,718,012 A 9/1955 Howe
3,320,621 A 5/1967 Vita
3,699,592 A 10/1972 Minchak
3,733,617 A 5/1973 Bennett
3,762,684 A * 10/1973 Stein 251/148
3,811,462 A 5/1974 Feliz
3,878,569 A 4/1975 Peirish, Jr. et al.
3,963,040 A 6/1976 Gezari
4,032,995 A 7/1977 Kemper
4,111,225 A 9/1978 Phelps
4,133,347 A 1/1979 Mercer
4,223,702 A 9/1980 Cook
4,550,453 A 11/1985 Norman
4,554,949 A 11/1985 Sell
4,587,994 A 5/1986 Links et al.
4,643,229 A 2/1987 Hickin
4,722,556 A * 2/1988 Todd 285/12
4,734,943 A 4/1988 Mellinger et al.
4,736,968 A 4/1988 Glegg

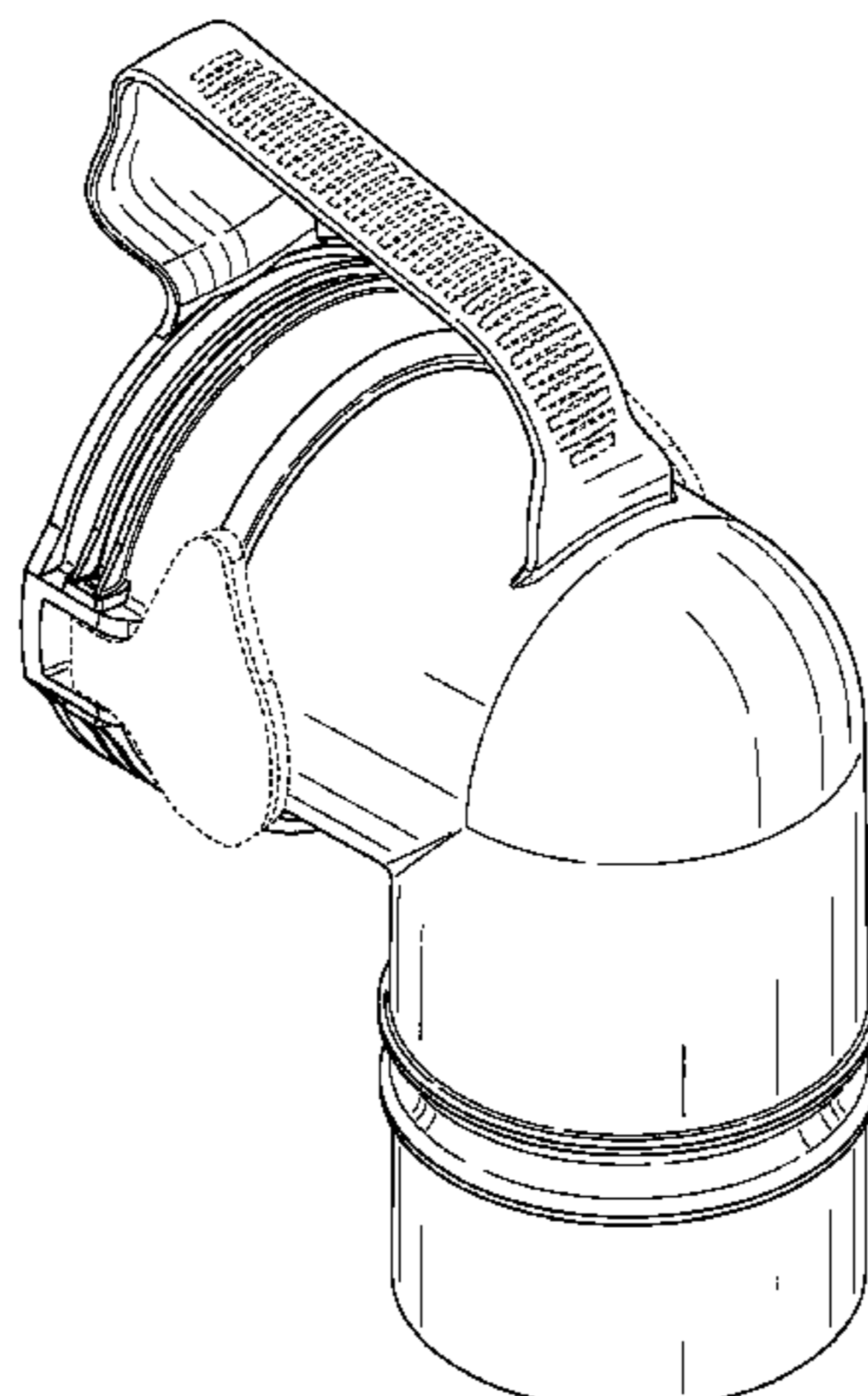
(57) **CLAIM**

The ornamental design for a drain adaptor, as shown and described.

DESCRIPTION

FIG. 1 is a perspective view of our design;
FIG. 2 is a left side view thereof, it being understood that the opposite side is a substantial mirror image;
FIG. 3 is a rear view thereof;
FIG. 4 is a front view thereof;
FIG. 5 is a top view thereof; and,
FIG. 6 is a bottom view thereof.
It being understood that the broken lines shown throughout the drawings are for illustrative purposes only and form no part of the present design.

1 Claim, 6 Drawing Sheets



US D613,826 S

Page 2

U.S. PATENT DOCUMENTS							
			7,144,046	B1 *	12/2006	Lape et al.	285/180
5,431,455	A	7/1995	D547,172	S	7/2007	Kent et al.	
5,653,262	A	8/1997	D549,815	S	8/2007	Murphy	
5,934,331	A *	8/1999	D561,302	S	2/2008	Brockington et al.	
5,971,438	A *	10/1999	D564,637	S *	3/2008	Brockington et al.	D23/263
5,987,658	A	11/1999	D568,450	S	5/2008	King, Jr. et al.	
6,029,707	A	2/2000	D585,348	S	1/2009	Yan et al.	
D422,255	S	4/2000	D586,433	S *	2/2009	Price et al.	D23/259
D441,848	S	5/2001	2002/0032926	A1 *	3/2002	Lewis	4/680
6,352,088	B1	3/2002	2002/0179169	A1	12/2002	Shanfelt	
6,427,715	B1	8/2002	2003/0085571	A1	5/2003	Avery	
6,550,074	B1 *	4/2003	2004/0112432	A1	6/2004	Swarts	
6,607,009	B2	8/2003	2005/0150562	A1	7/2005	Anderson	
6,802,343	B2	10/2004	2006/0070660	A1	4/2006	Swarts	
6,886,867	B1	5/2005	2007/0007763	A1 *	1/2007	Deaton	285/179
6,957,668	B1	10/2005	2007/0052235	A1	3/2007	Buff	
6,991,192	B2	1/2006	2007/0295420	A1	12/2007	Swarts	
D514,663	S	2/2006	2009/0236001	A1	9/2009	Damaske et al.	
7,013,922	B2	3/2006					

* cited by examiner

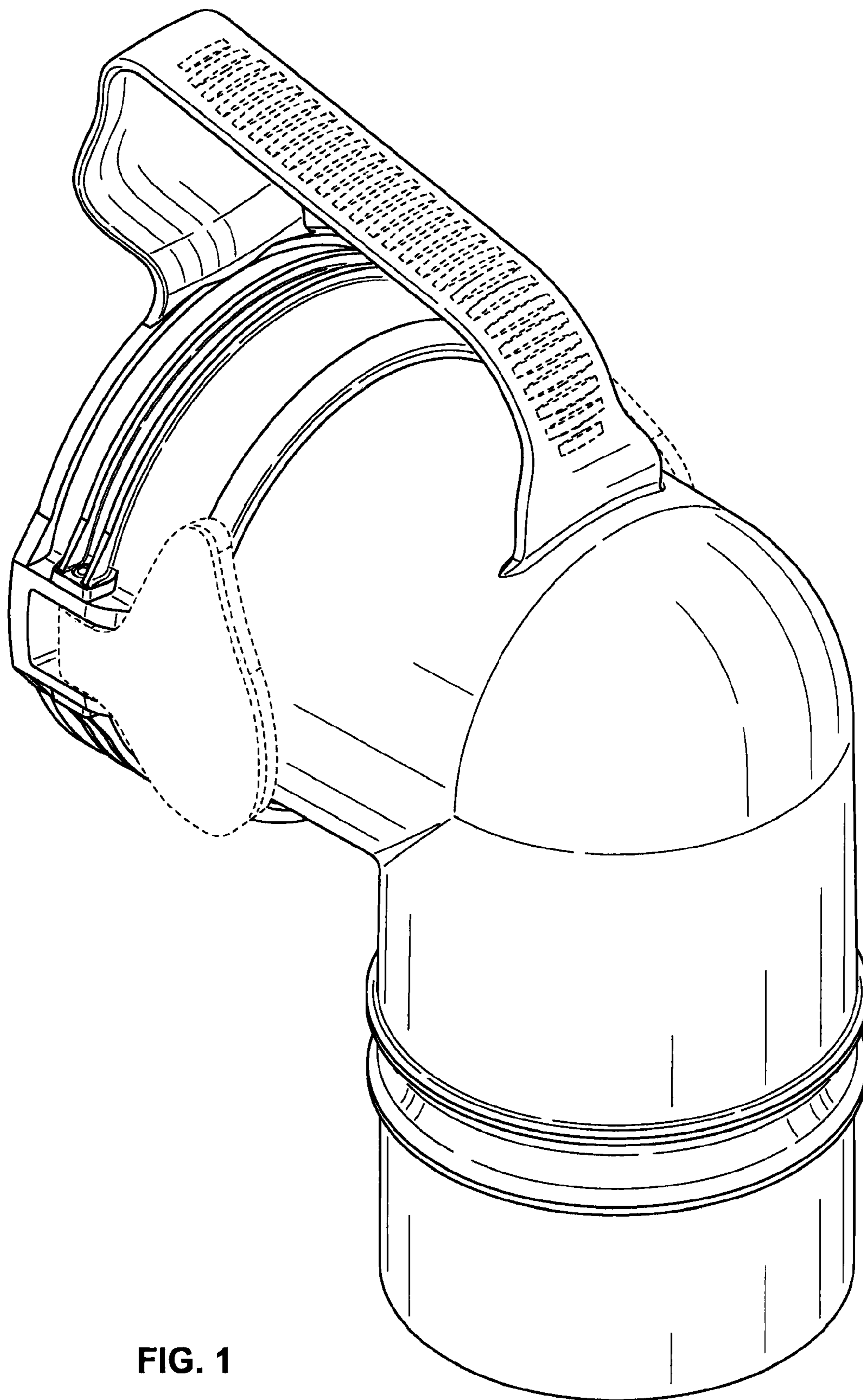


FIG. 1

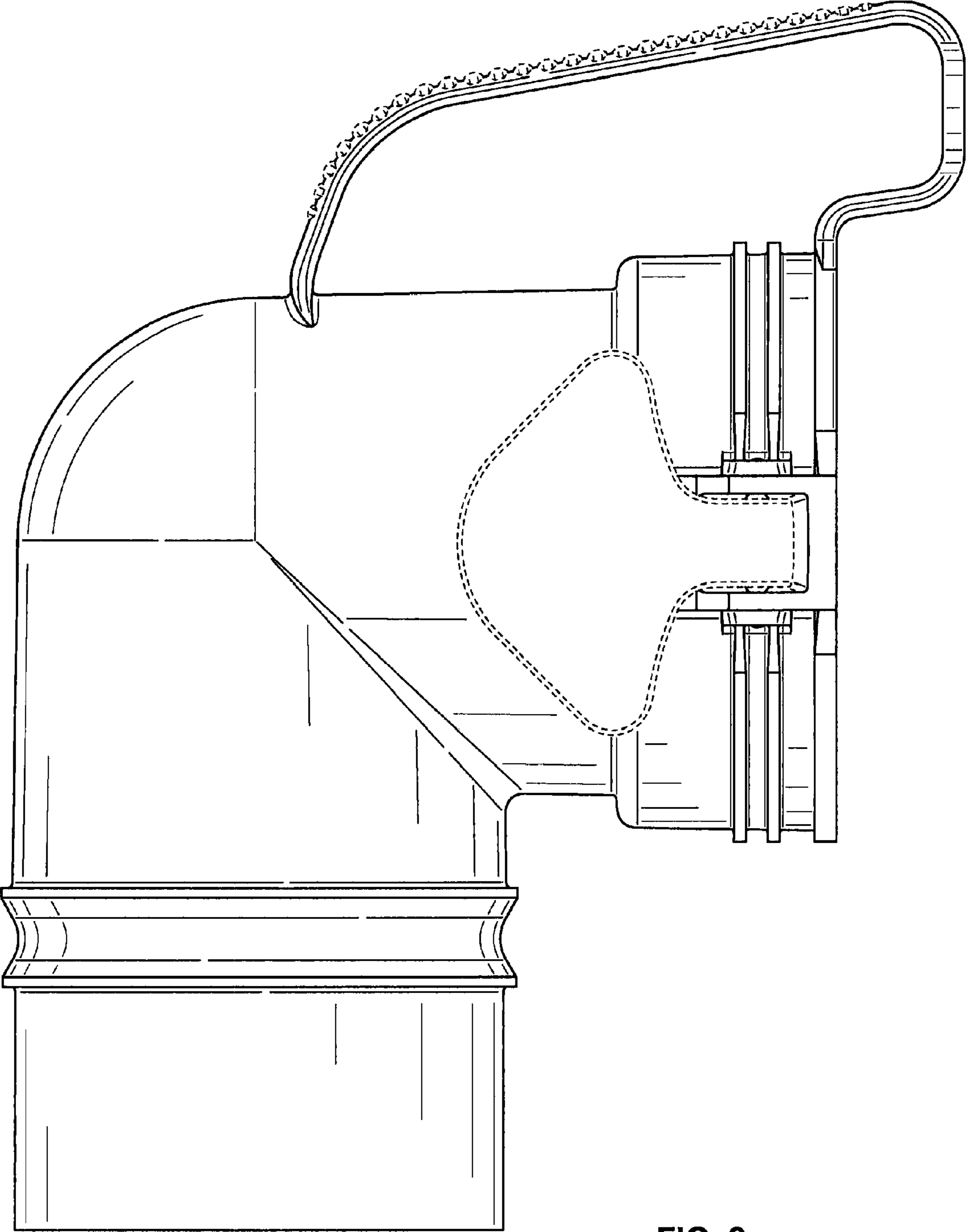


FIG. 2

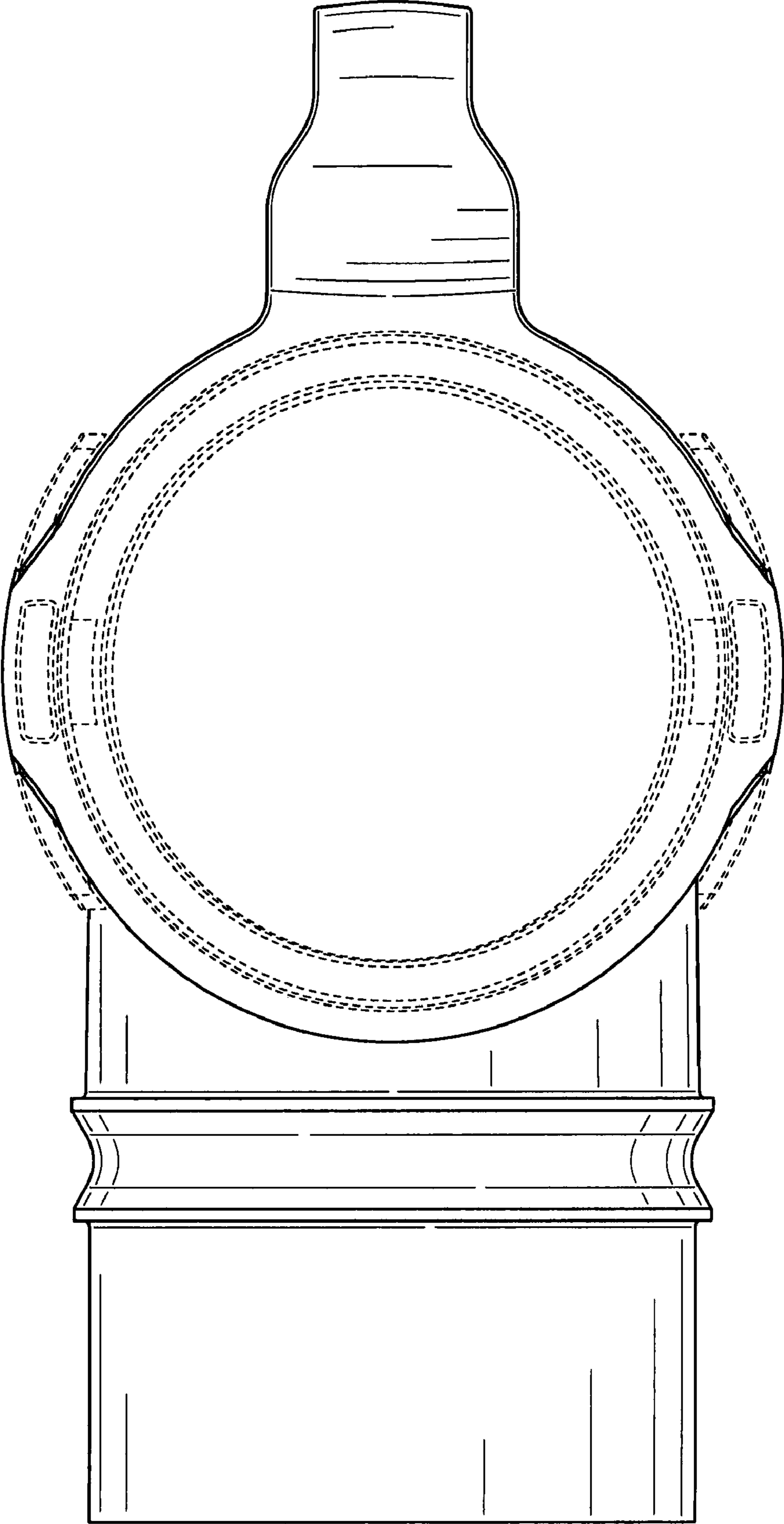


FIG. 3

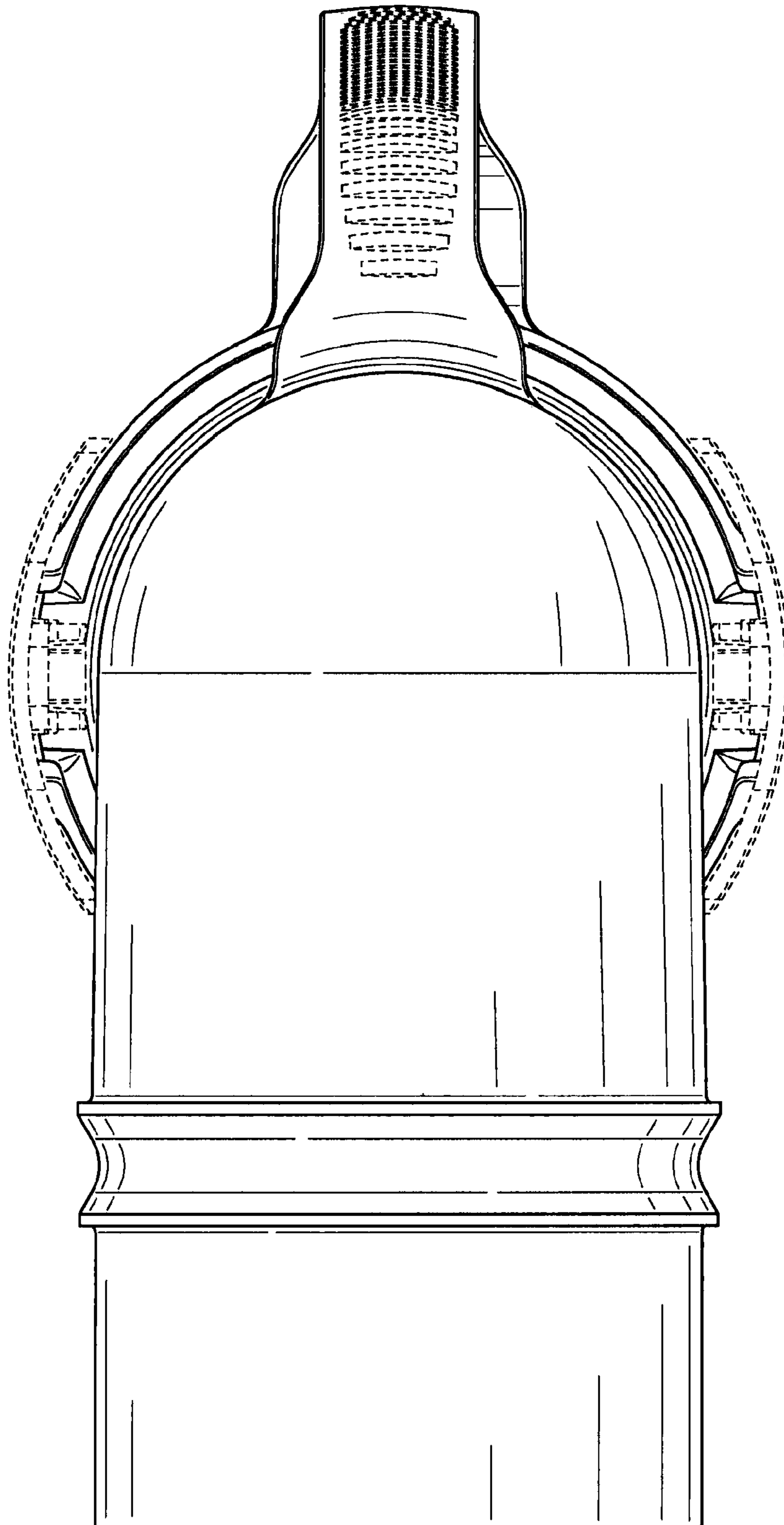


FIG. 4

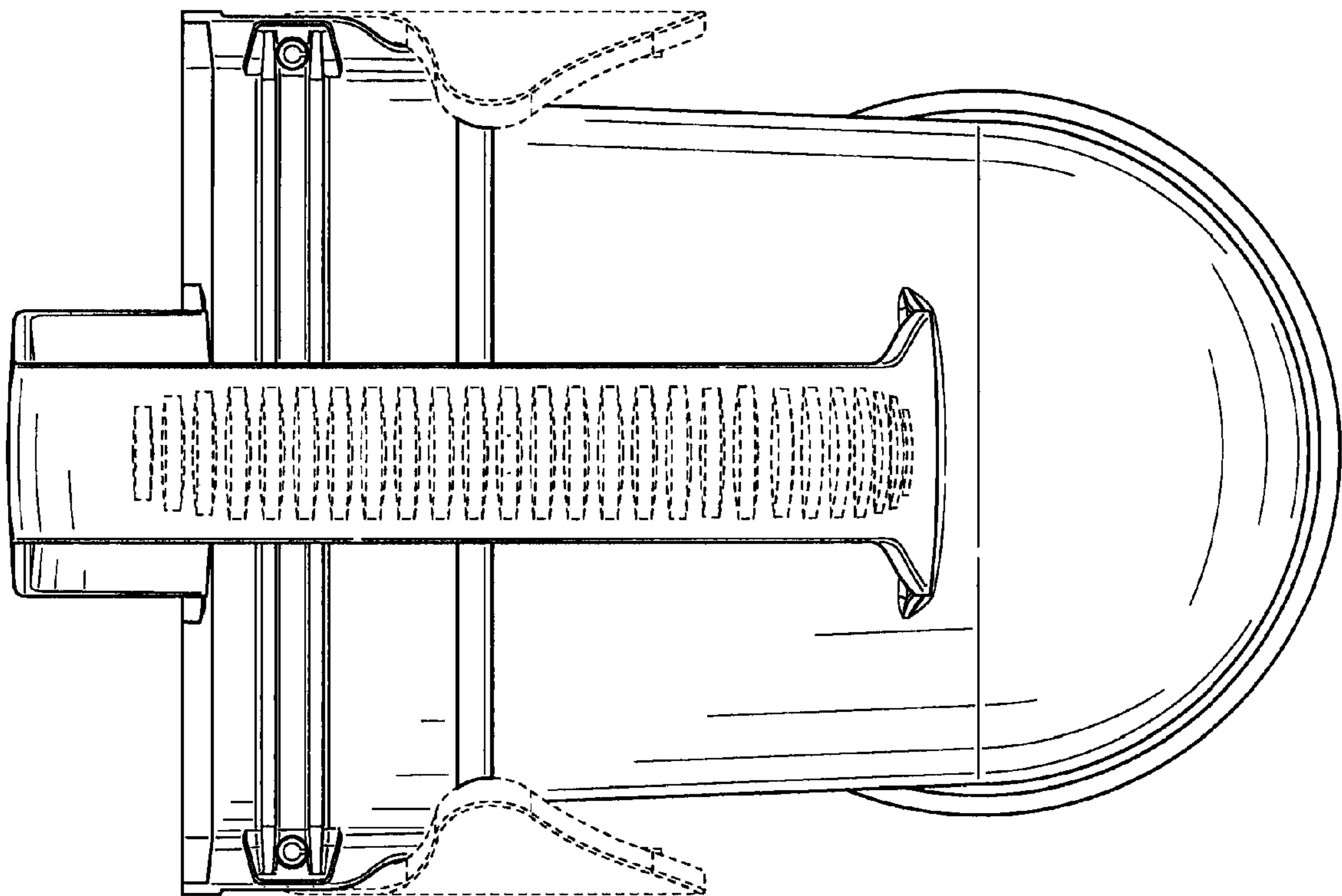


FIG. 5

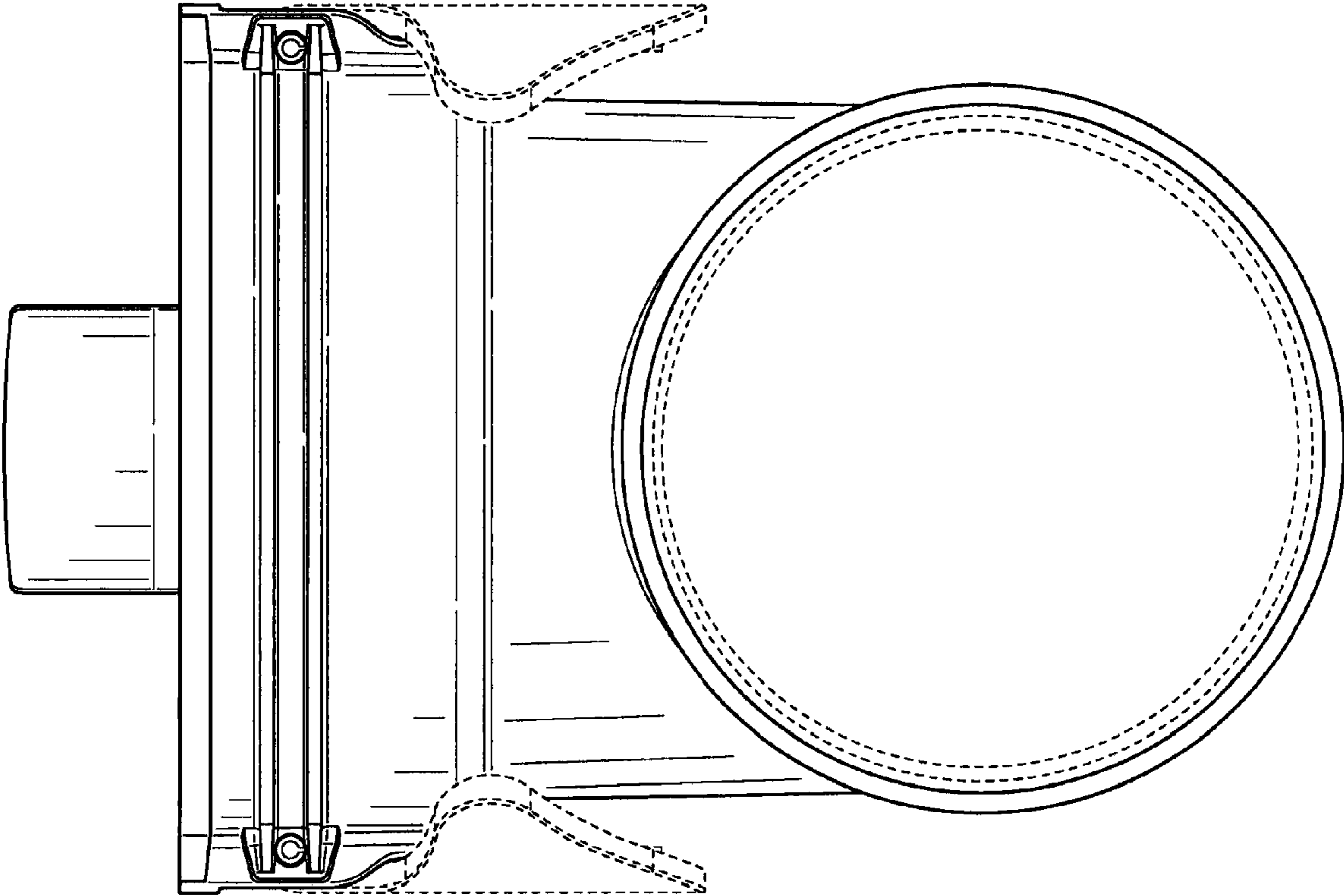


FIG. 6