



US00D613825S

(12) **United States Design Patent**
Ishikawa et al.

(10) **Patent No.:** **US D613,825 S**
(45) **Date of Patent:** **** Apr. 13, 2010**

(54) **FAUCET OPERATION PANEL**

(75) Inventors: **Masafumi Ishikawa**, Kitakyushu (JP);
Mitsuya Obara, Kitakyushu (JP)

(73) Assignee: **ToTo Ltd.**, Kitakyushu-Shi, Fukuoka
(JP)

(**) Term: **14 Years**

(21) Appl. No.: **29/333,630**

(22) Filed: **Mar. 12, 2009**

(30) **Foreign Application Priority Data**

Jan. 29, 2009 (JP) 2009-001750

(51) **LOC (9) Cl.** **23-01**

(52) **U.S. Cl.** **D23/254**

(58) **Field of Classification Search** D23/238-243,
D23/250, 252-254; 4/676-678; 137/801,
137/359; 16/110.1; D8/350-353; D6/550
See application file for complete search history.

(56) **References Cited**

U.S. PATENT DOCUMENTS

D186,995 S * 1/1960 Dreyfuss D23/254
D484,063 S * 12/2003 Chen D10/49

D563,908 S * 3/2008 Kohler et al. D13/171
D575,647 S * 8/2008 Lobermeier et al. D10/49
D591,182 S * 4/2009 Schoenherr et al. D10/49

* cited by examiner

Primary Examiner—Robert A Delehanty

(74) *Attorney, Agent, or Firm*—Birch, Stewart, Kolasch &
Birch, LLP

(57) **CLAIM**

The ornamental design for a faucet operation panel, as shown
and described.

DESCRIPTION

FIG. 1 is a perspective view of the top, front and right side of
a faucet operation panel showing our new design;

FIG. 2 is a front view thereof;

FIG. 3 is a rear view thereof;

FIG. 4 is a left side view thereof;

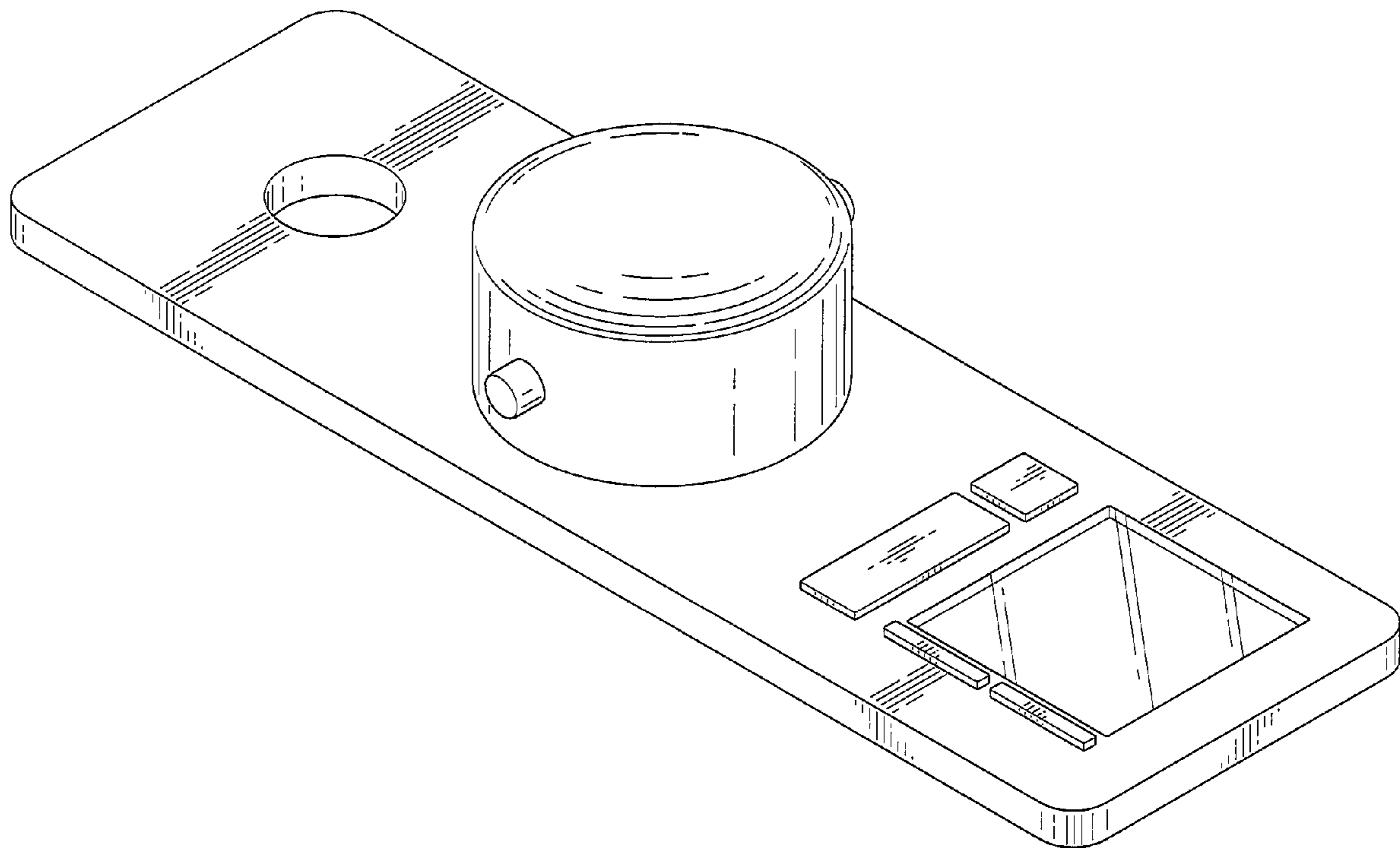
FIG. 5 is a right side view thereof;

FIG. 6 is a top plan view thereof; and,

FIG. 7 is a bottom view thereof.

The portion of the article in broken lines are shown for illus-
trative purposes only and from no part of the claimed design.

1 Claim, 5 Drawing Sheets



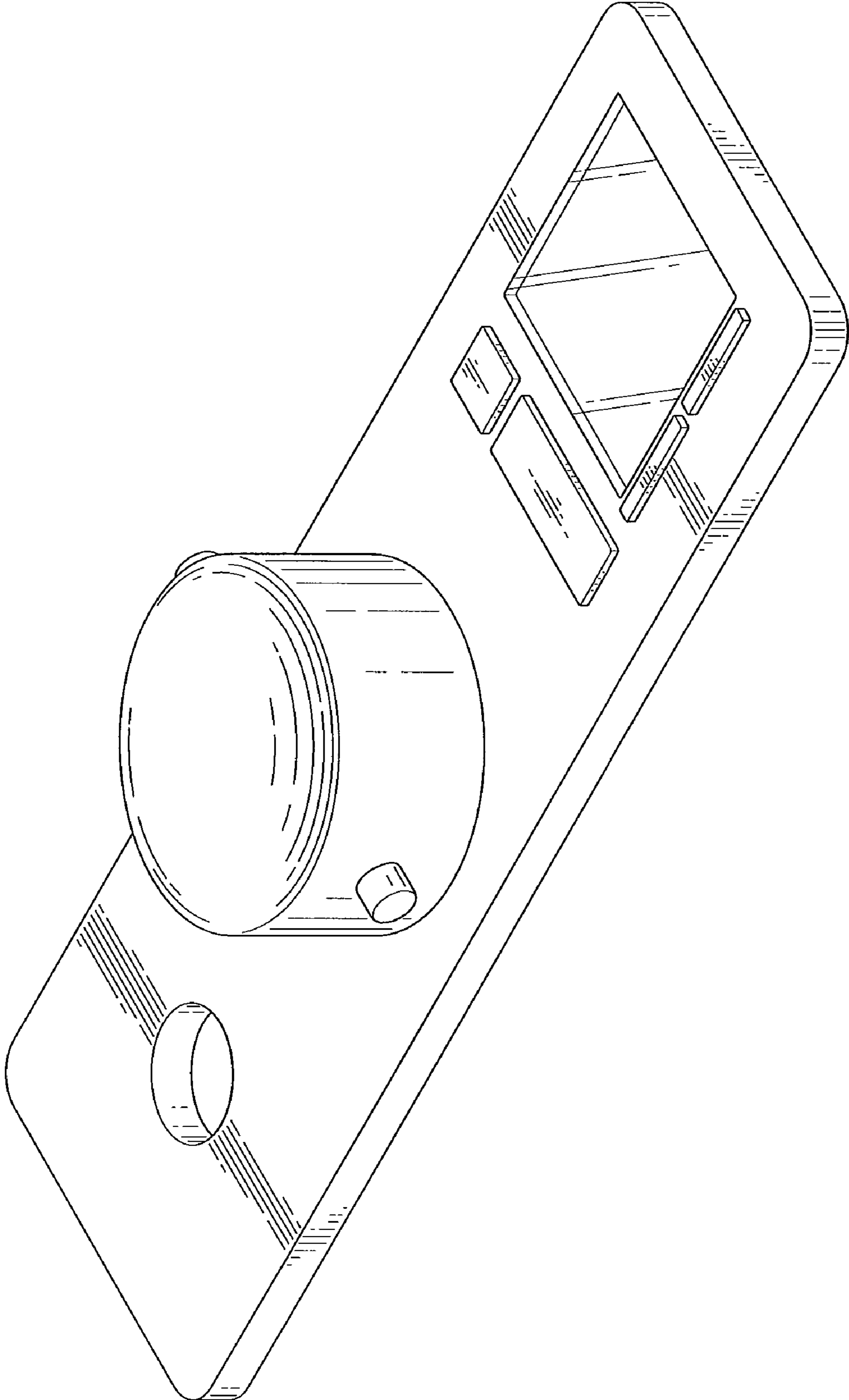


FIG. 1

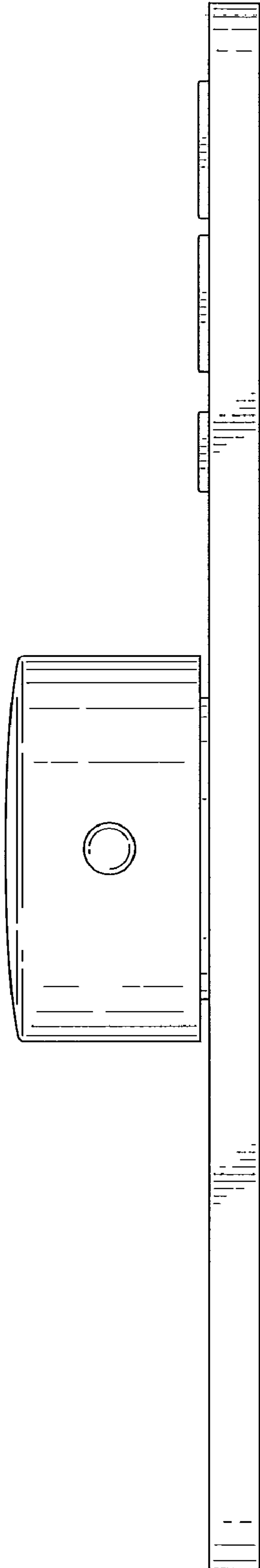


FIG. 2

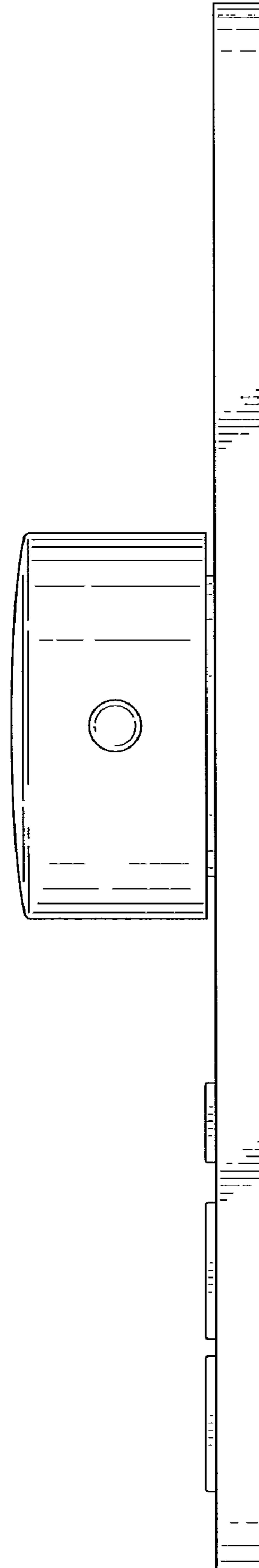


FIG. 3

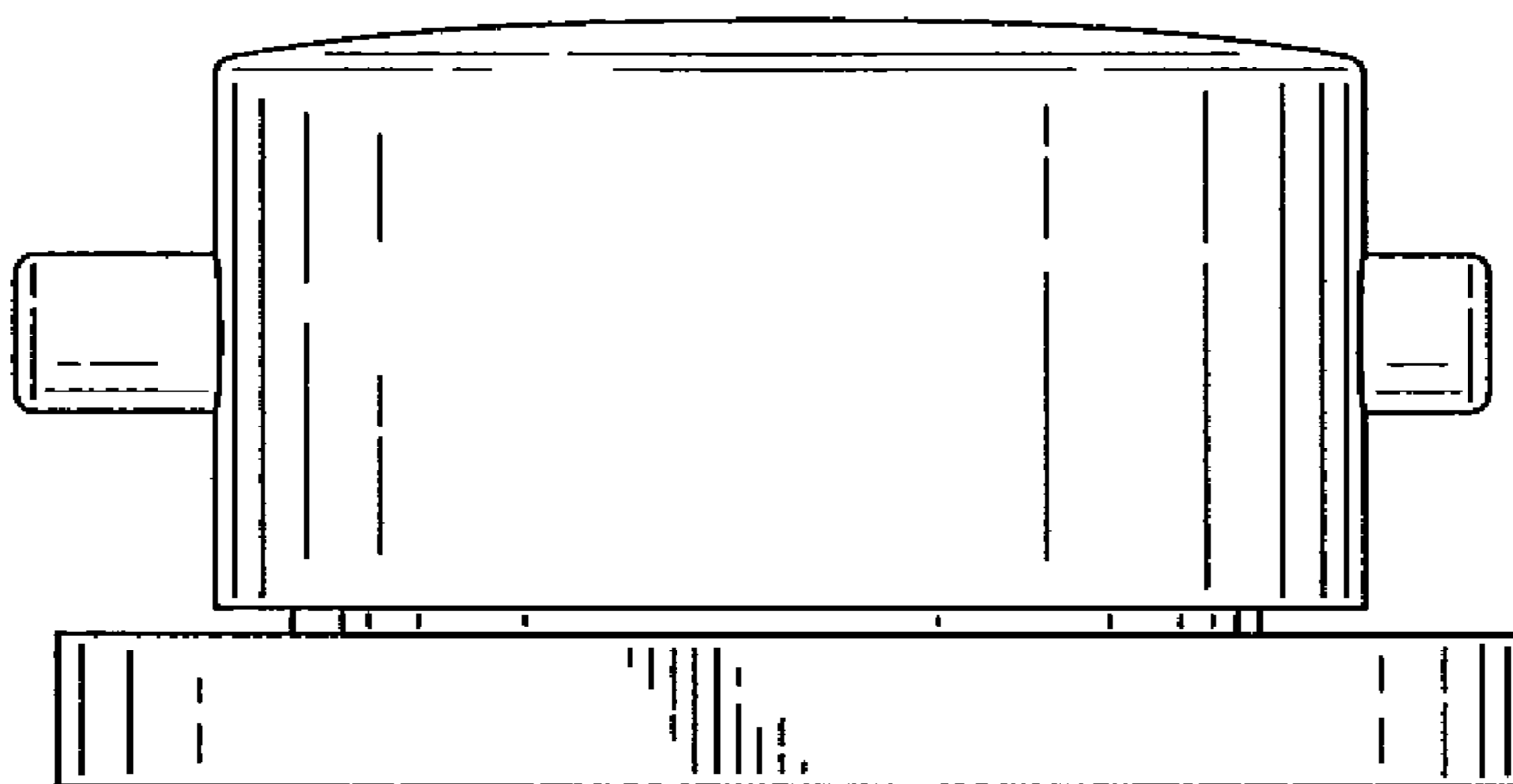


FIG. 4

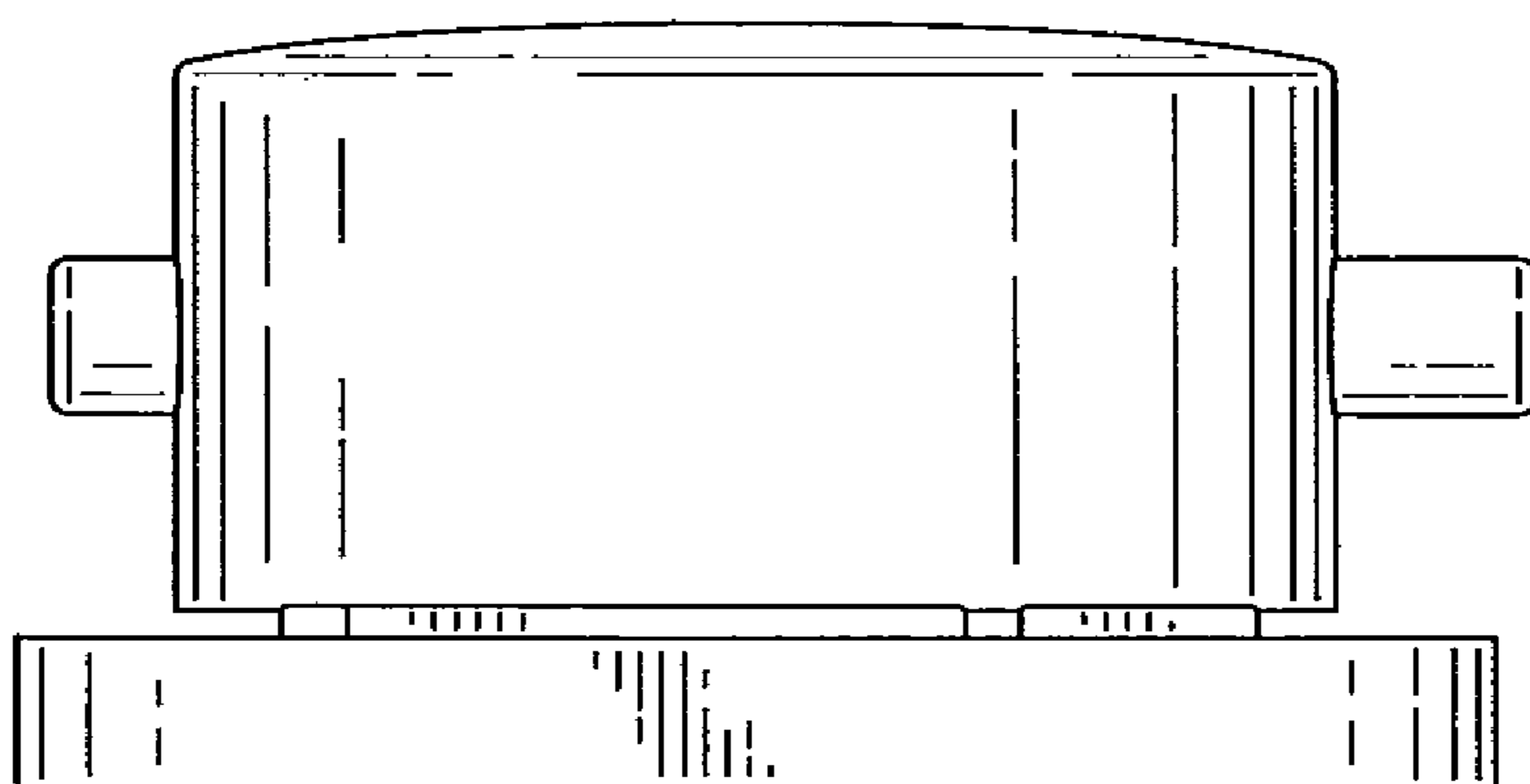


FIG. 5

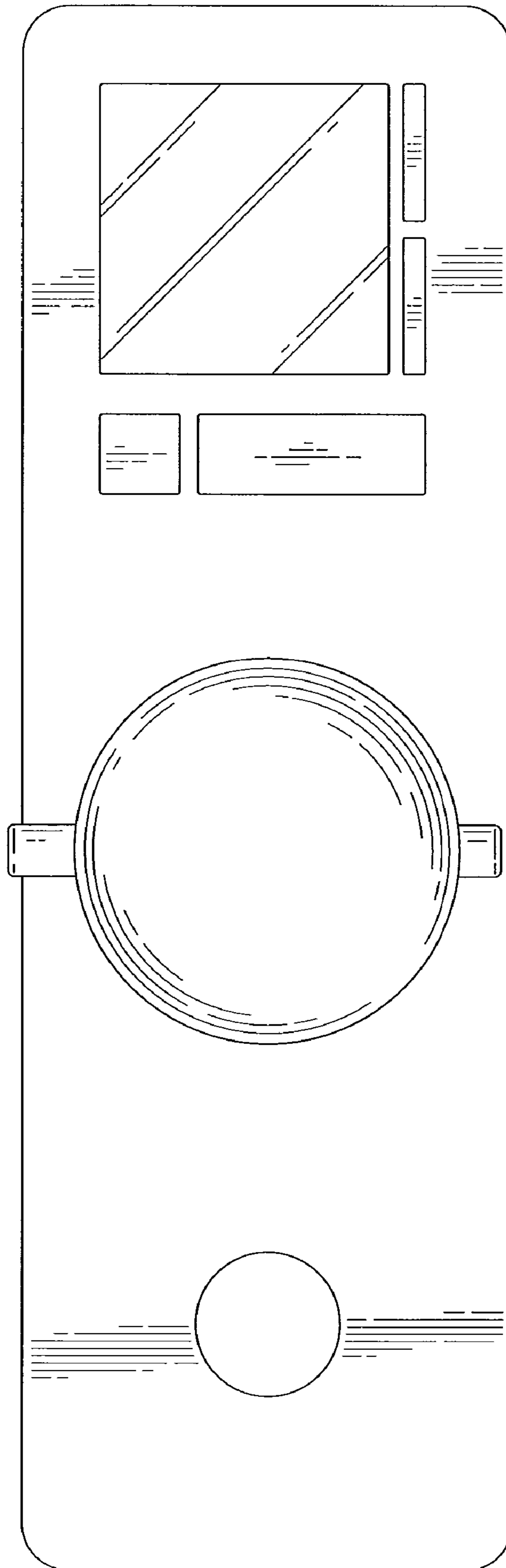


FIG. 6

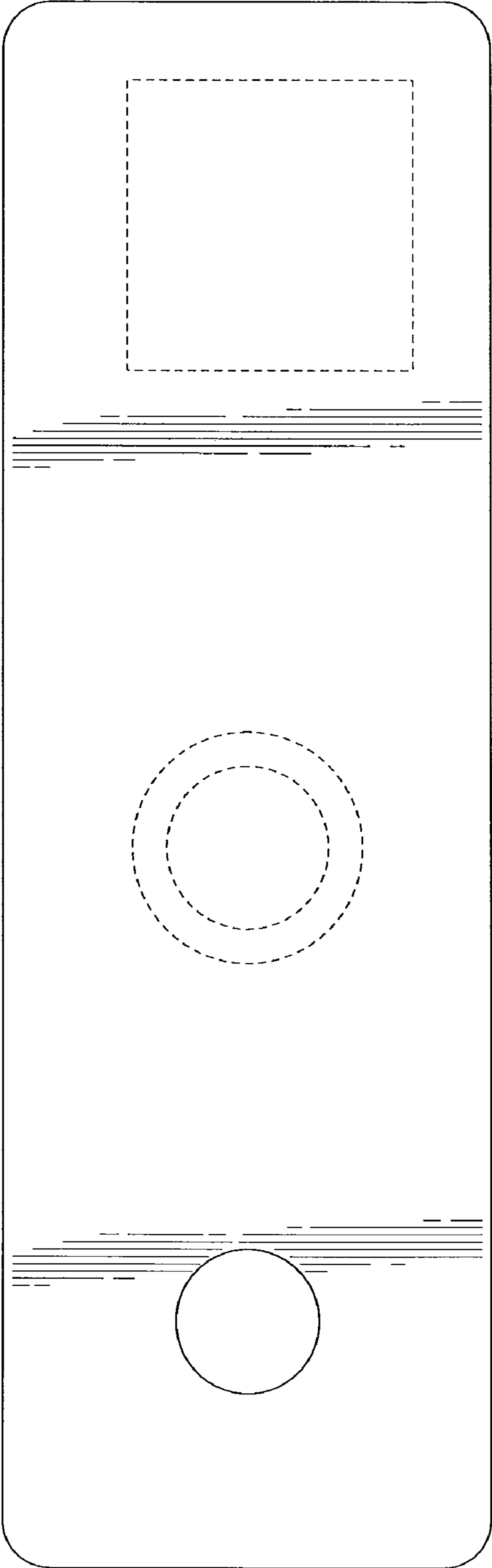


FIG. 7